



US00D667241S

(12) **United States Design Patent**
Winnail

(10) **Patent No.:** **US D667,241 S**

(45) **Date of Patent:** **** Sep. 18, 2012**

(54) **HANDLE CUSHION**

(76) Inventor: **Lillian Winnail**, Waxhaw, NC (US)

(**) Term: **14 Years**

(21) Appl. No.: **29/345,936**

(22) Filed: **Oct. 23, 2009**

(51) **LOC (9) Cl.** **06-01**

(52) **U.S. Cl.** **D6/500**

(58) **Field of Classification Search** D6/333,
D6/335, 339, 491, 500-502; D12/129; D21/412,
D21/419; 280/30, 31; 5/94, 98.1, 99.1, 101,
5/102, 105, 655; 297/183.1, 183.2, 183.3,
297/183.4, 184.13, 184.15, 184.17, 250.1,
297/255, 256.1, 256.15, 256.16; 24/200,
24/211

See application file for complete search history.

(56) **References Cited**

U.S. PATENT DOCUMENTS

2,600,556	A *	6/1952	Malm	5/93.1
3,205,514	A *	9/1965	Pietrangeli	5/484
3,220,767	A *	11/1965	Hendrickson	297/228.12
3,884,495	A *	5/1975	Petock	280/87.041
4,227,270	A *	10/1980	Rivera	5/639
4,262,385	A	4/1981	Norman	
4,365,840	A *	12/1982	Kehl et al.	297/440.2
4,767,419	A *	8/1988	Fattore	5/659
5,160,185	A *	11/1992	Stang	297/377
5,310,245	A *	5/1994	Lyszczasz	297/219.12
5,332,288	A *	7/1994	Coates	297/411.21
5,403,066	A *	4/1995	Drum	297/219.1
5,605,374	A *	2/1997	Perry	297/227
5,700,053	A *	12/1997	Downing	297/227
D392,496	S *	3/1998	Boyd	D6/601
5,730,490	A	3/1998	Mortenson	
5,829,832	A *	11/1998	Molee et al.	297/397
5,904,406	A *	5/1999	Stewart	297/397
5,934,754	A *	8/1999	Raffa	297/392

(Continued)

Primary Examiner — Sandra Snapp

(74) *Attorney, Agent, or Firm* — Summa, Additon & Ashe, P.A.

(57) **CLAIM**

The ornamental design for a handle cushion, as shown and described.

DESCRIPTION

FIG. 1 is a top perspective view of the handle cushion design having side connector tabs with hooks facing upward.

FIG. 2 is a top plan view of the handle cushion design of FIG. 1.

FIG. 3 is a front elevation view of the handle cushion design with side connector tabs having corresponding hook and loop fasteners.

FIG. 4 is a side elevation view of the handle cushion design and shows a connector tab with loops facing downward.

FIG. 5 is a side elevation view of the handle cushion design and shows a connector tab with hooks facing upward.

FIG. 6 is a bottom plan view of the handle cushion design having connector tabs with loops facing upward.

FIG. 7 is a rear elevation view of the handle cushion design having connector tabs with loops facing upward on one connector tab and hooks facing downward on an opposite connector tab.

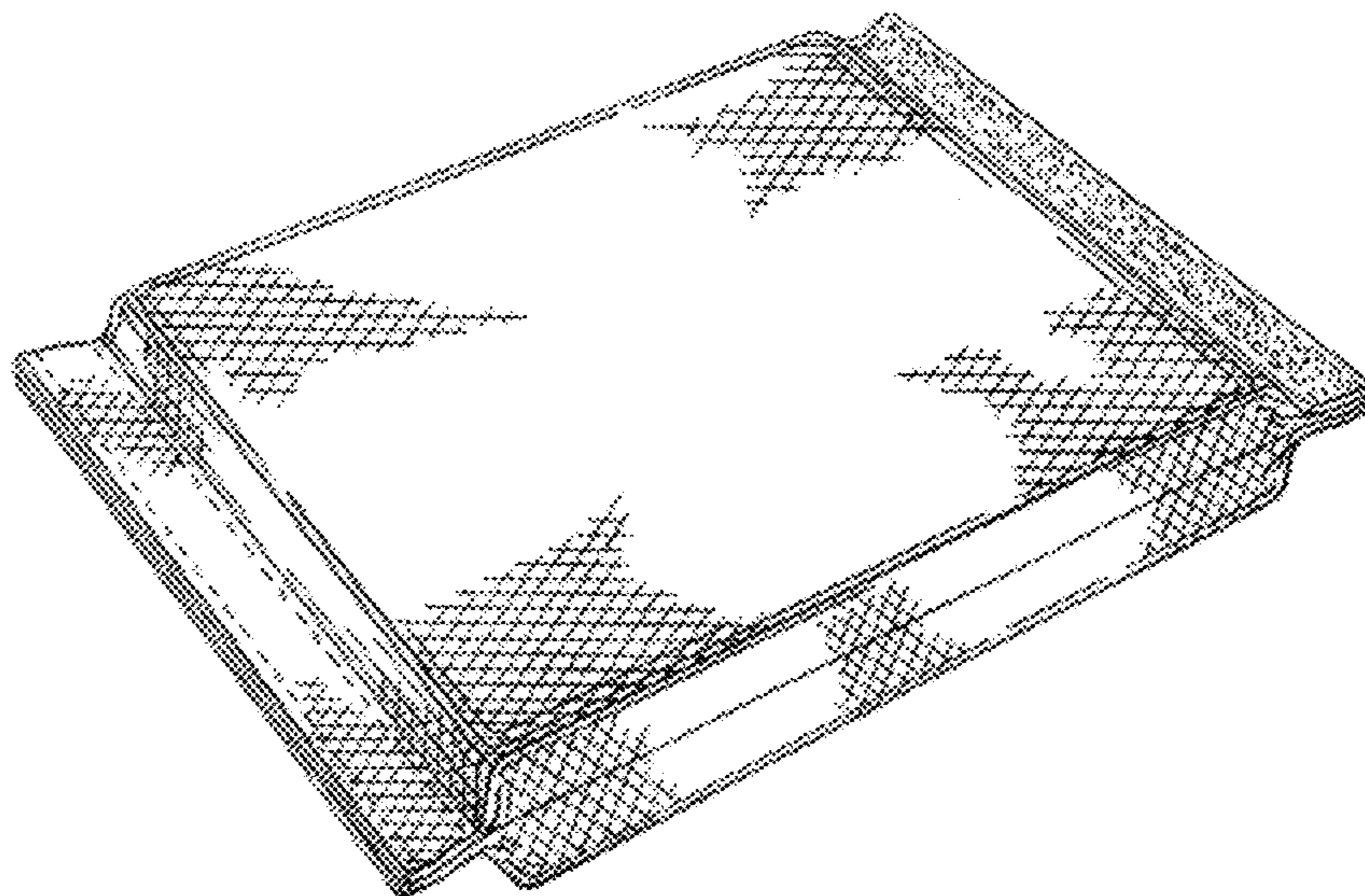
FIG. 8 is a perspective view of the pad rolled up and secured by the connector tabs; and,

FIG. 9 is an environmental view of the handle cushion in use on a child carrier.

The broken lines, except the pairs of dashed lines, shown FIGS. 1 through 9 are for illustrative purposes only and form no part of the claimed design.

The pairs of broken lines shown as dashes extending from end to end on connector tabs of FIGS. 1, 2, and 6-9 are for the purpose of showing stitches on the connector tabs and form a part of the claimed design.

1 Claim, 3 Drawing Sheets



US D667,241 S

Page 2

U.S. PATENT DOCUMENTS

5,979,987	A *	11/1999	Rich	297/411.23	6,817,006	B1 *	11/2004	Wells et al.	716/16
6,006,403	A	12/1999	Battiato			6,817,066	B1 *	11/2004	Williams et al.	16/435
6,290,293	B1 *	9/2001	Long et al.	297/228.12	6,827,405	B1 *	12/2004	Roberts	297/411.23
6,401,281	B1 *	6/2002	Younge	5/663	D549,496	S *	8/2007	Stringfellow	D6/501
6,578,914	B2 *	6/2003	Artsvelyan	297/219.1	7,431,396	B1 *	10/2008	Dasso	297/227
6,604,789	B1 *	8/2003	Downing	297/227	D595,980	S *	7/2009	Walters	D6/491
6,796,002	B2	9/2004	Beckwith								

* cited by examiner

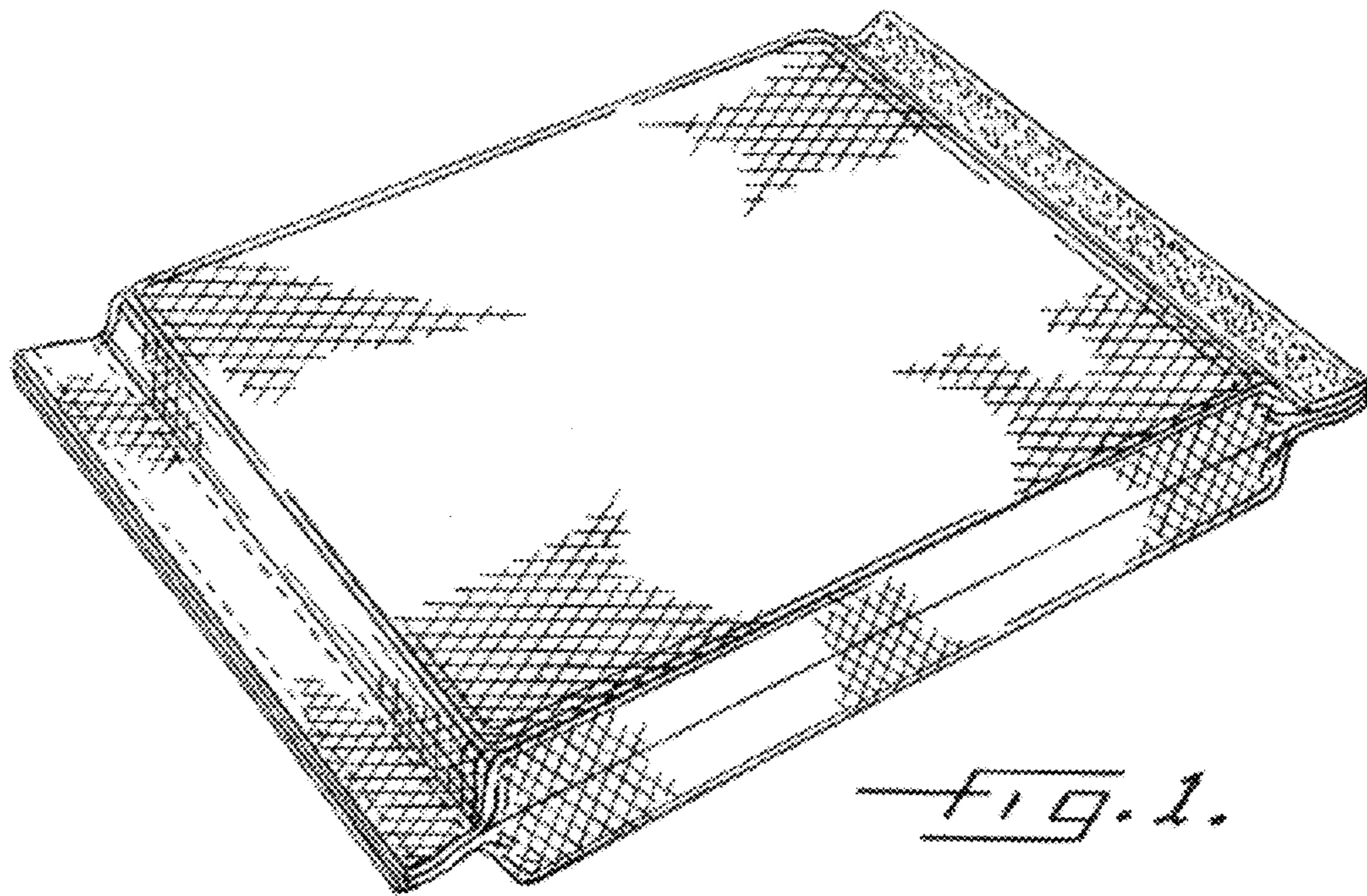


FIG. 1.

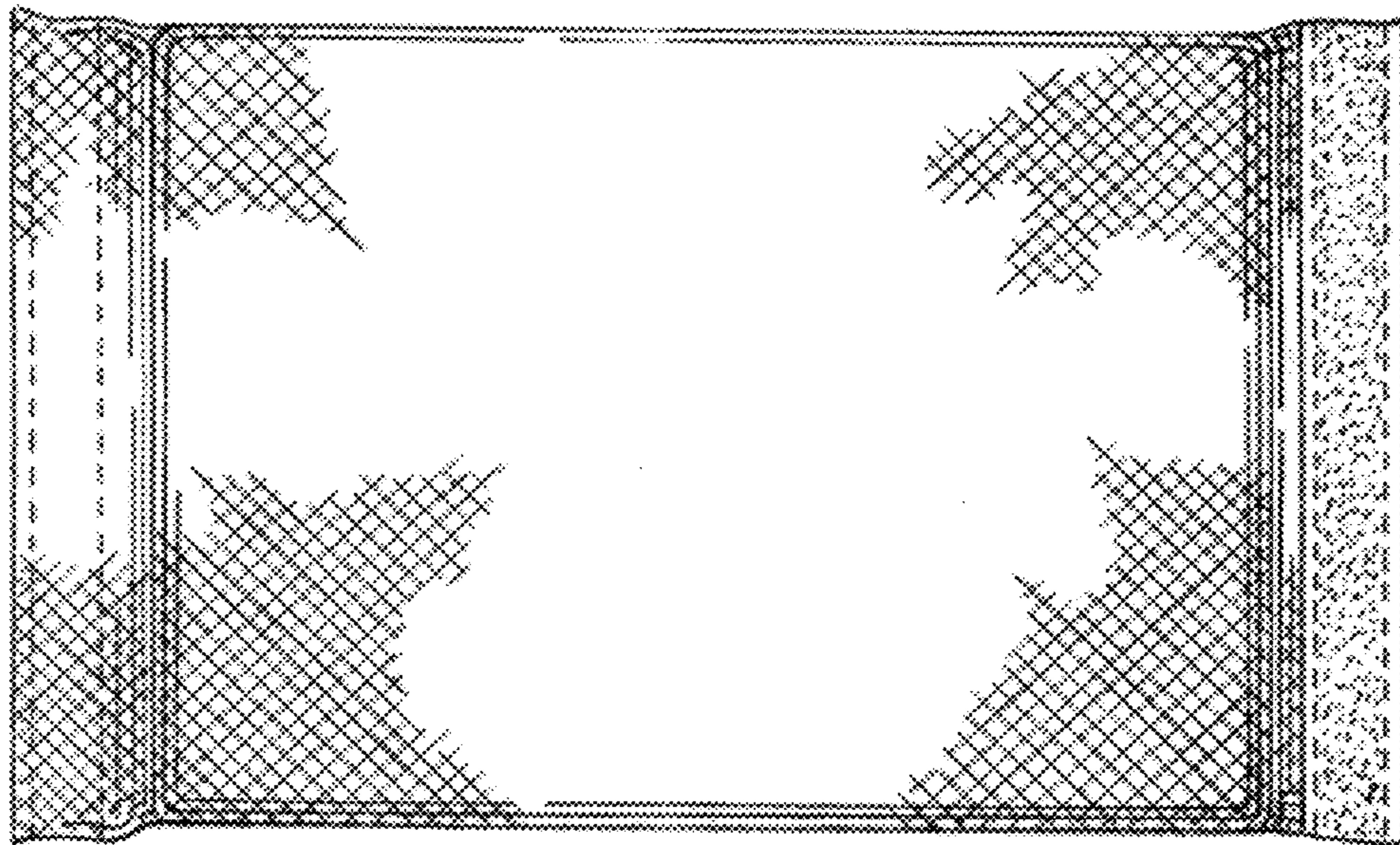


FIG. 2.

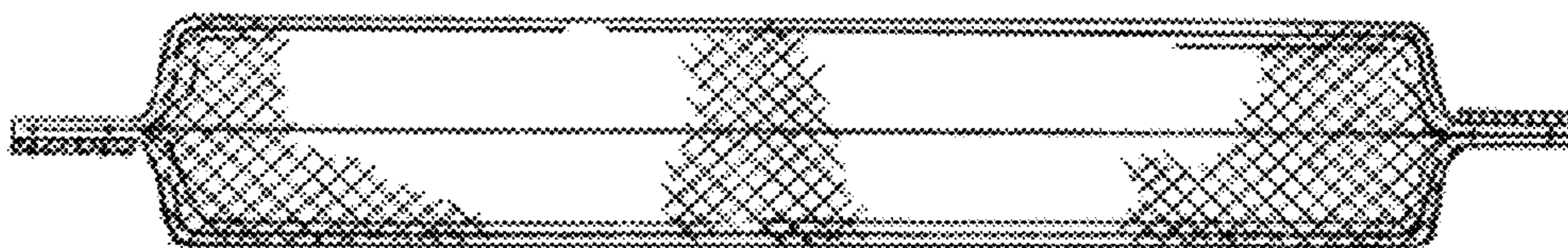


FIG. 3.

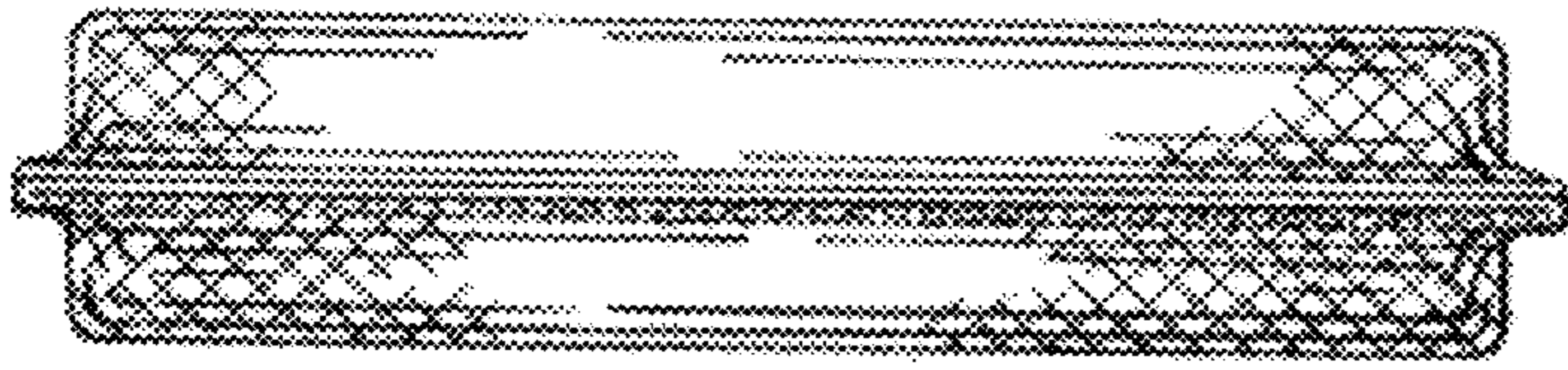


FIG. 4.

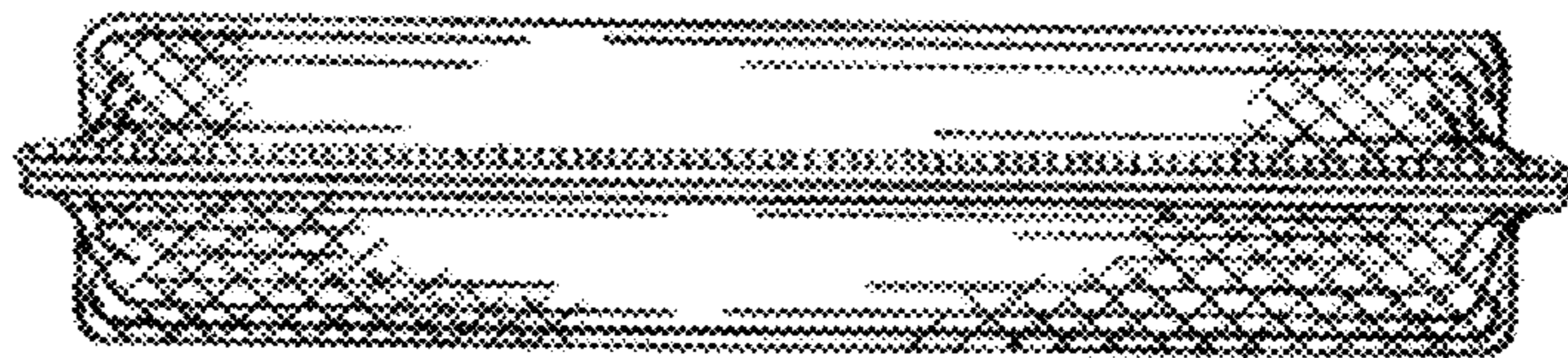


FIG. 5.

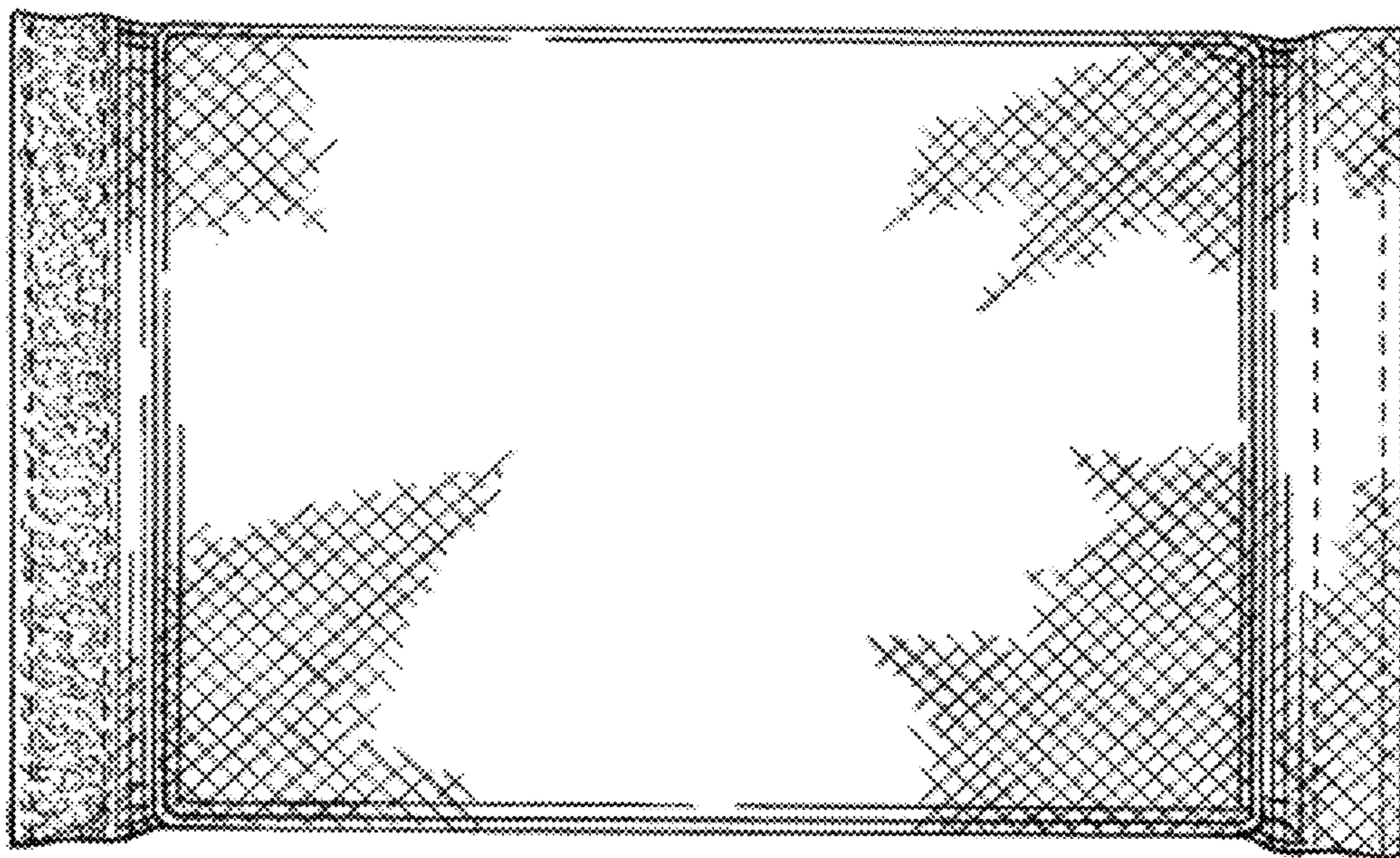


FIG. 6.

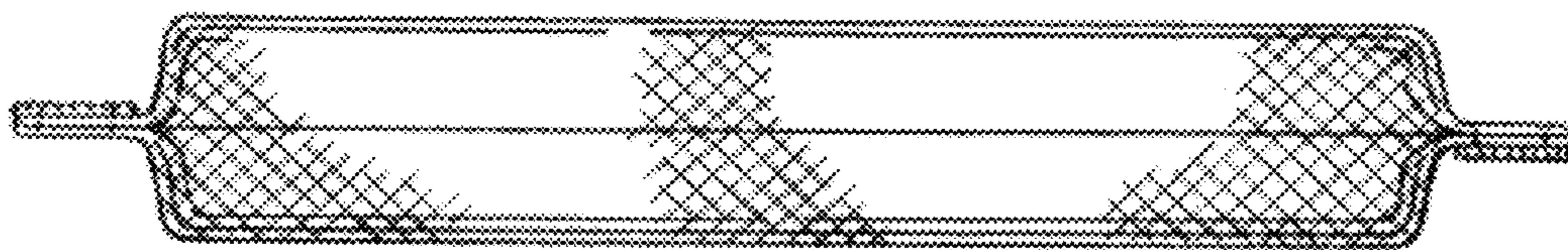


FIG. 7.

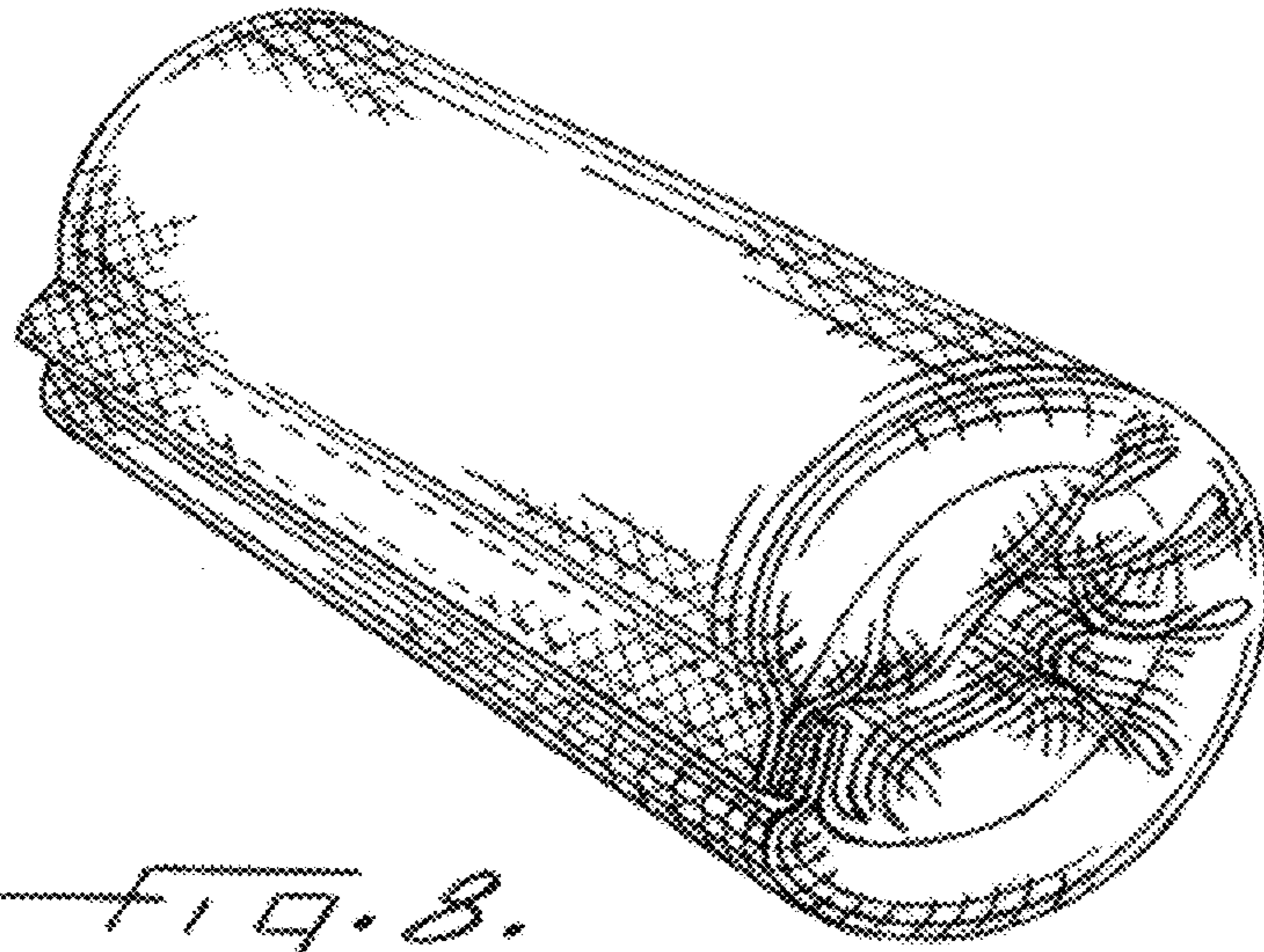


FIG. 8.

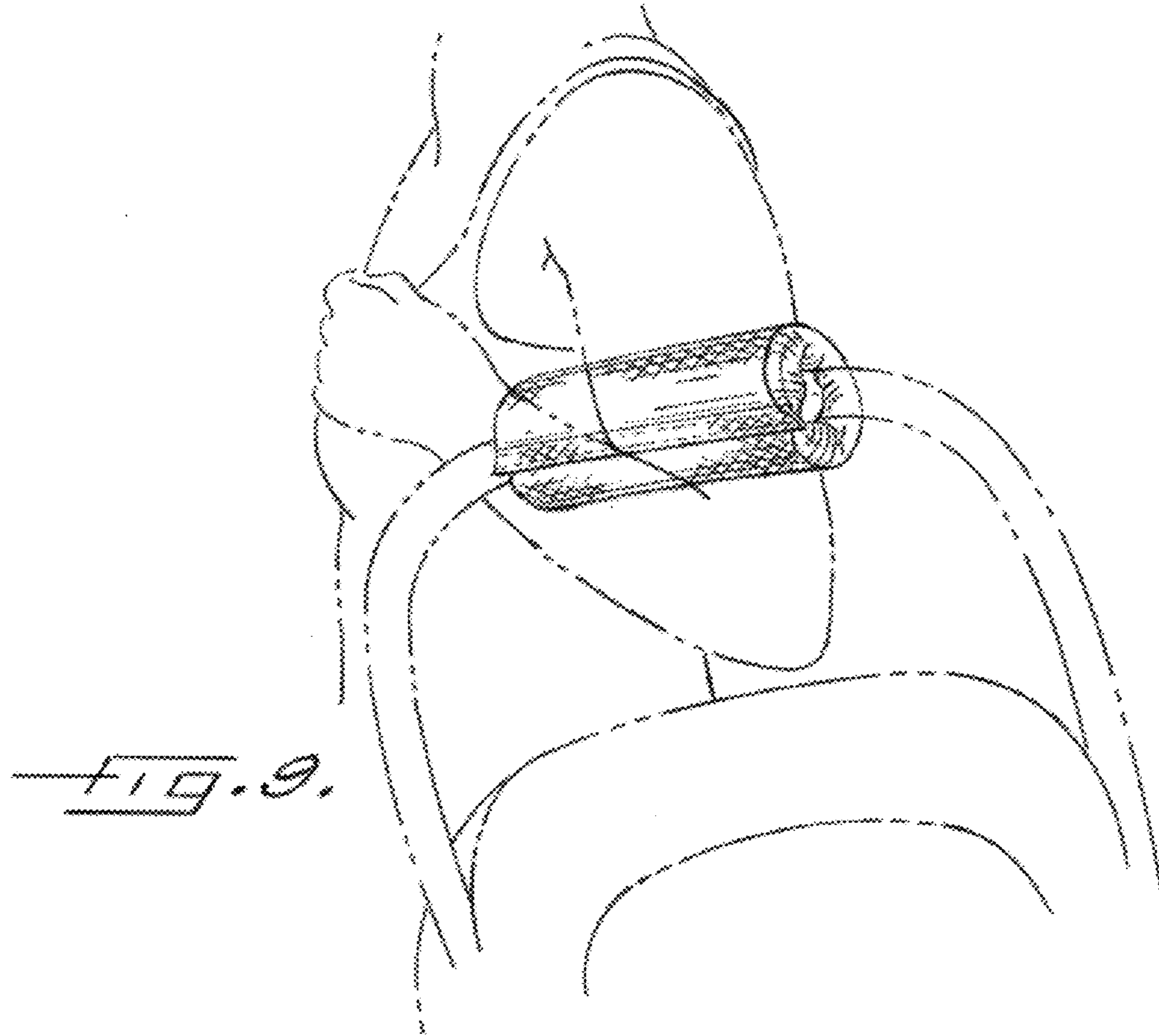


FIG. 9.