



US00D667235S

(12) **United States Design Patent**  
**Greiner**

(10) **Patent No.:** **US D667,235 S**

(45) **Date of Patent:** **\*\* Sep. 18, 2012**

(54) **SWIVEL OVAL MIRROR WITH STAND AND INTERIOR**

(75) Inventor: **Lori Greiner**, Chicago, IL (US)

(73) Assignee: **For Your Ease Only, Inc.**, Chicago, IL (US)

(\*\*) Term: **14 Years**

(21) Appl. No.: **29/406,171**

(22) Filed: **Nov. 10, 2011**

(51) **LOC (9) Cl.** ..... **06-04**

(52) **U.S. Cl.** ..... **D6/441**

(58) **Field of Classification Search** ..... D3/272–273,  
D3/294–295; D6/300, 309, 396, 420, 425,  
D6/432–448, 460–468, 470–479, 491–495,  
D6/509, 559, 561, 629; D13/184; 206/6.1,  
206/472, 495, 566; 211/95, 163, 85.2;  
248/186.1–186.2, 188, 188.1–188.9; 312/107–114,  
312/138.1, 194, 198, 204–217, 224–237,  
312/257.1, 278–279

See application file for complete search history.

(56) **References Cited**

U.S. PATENT DOCUMENTS

D351,517 S	*	10/1994	Rickards	.....	D6/470
D368,583 S	*	4/1996	Sharer et al.	.....	D3/294
D387,236 S	*	12/1997	Madonna	.....	D6/629
D436,727 S	*	1/2001	Hsu	.....	D3/294
D557,518 S	*	12/2007	Greiner	.....	D6/432
D557,930 S	*	12/2007	Greiner	.....	D6/432
D557,939 S	*	12/2007	Greiner	.....	D6/470
D558,482 S	*	1/2008	Greiner	.....	D6/432

D569,658 S	*	5/2008	Greiner	.....	D6/470
D587,929 S	*	3/2009	Greiner	.....	D6/438
D589,722 S	*	4/2009	Greiner	.....	D6/432
D590,629 S	*	4/2009	Greiner	.....	D6/432
D601,798 S	*	10/2009	Hsu	.....	D3/295

\* cited by examiner

*Primary Examiner* — Ricky Pham

(74) *Attorney, Agent, or Firm* — Fredrikson & Byron, P.A.

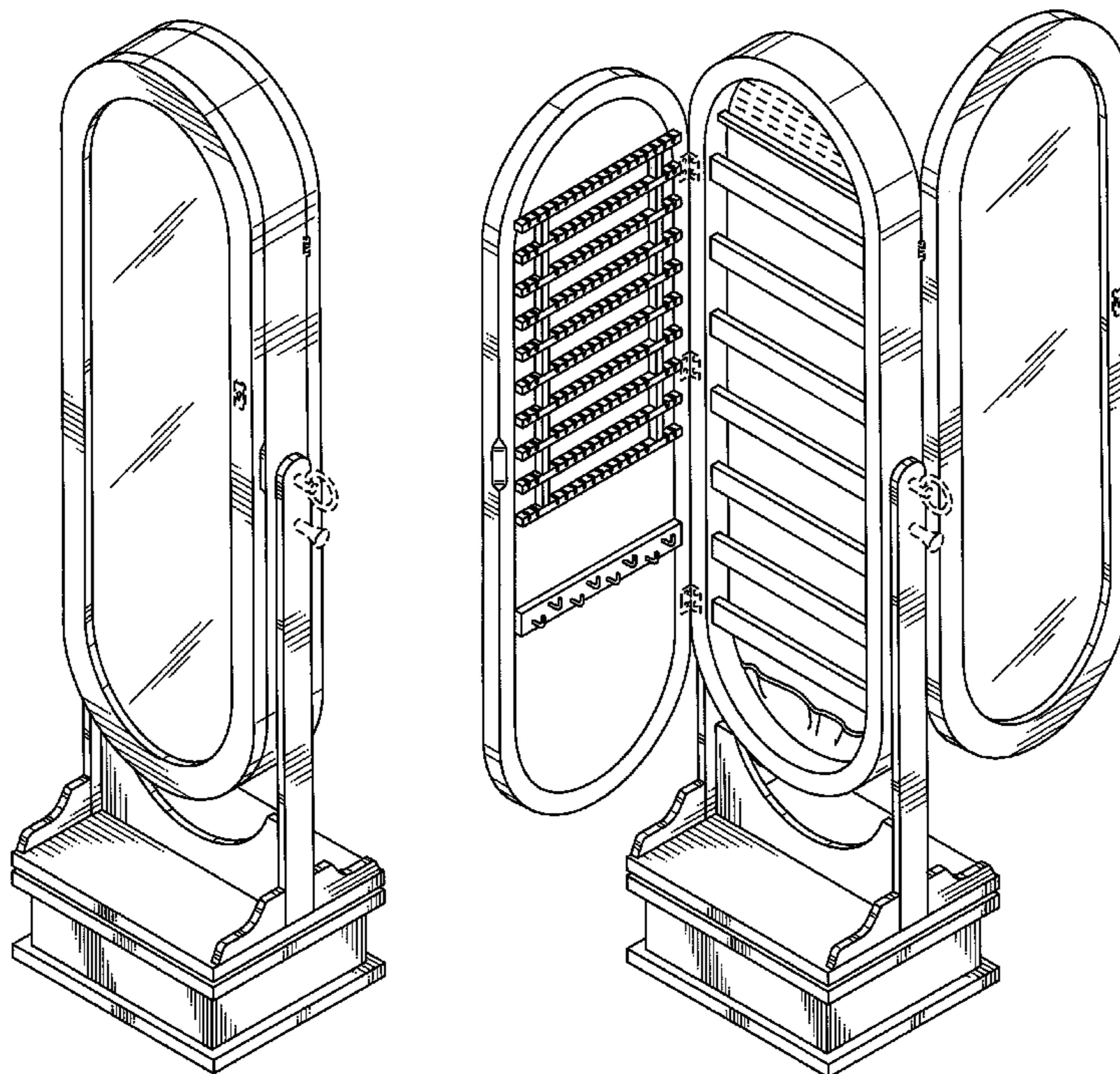
(57) **CLAIM**

I claim the ornamental design for a swivel oval mirror with stand and interior, as shown and described.

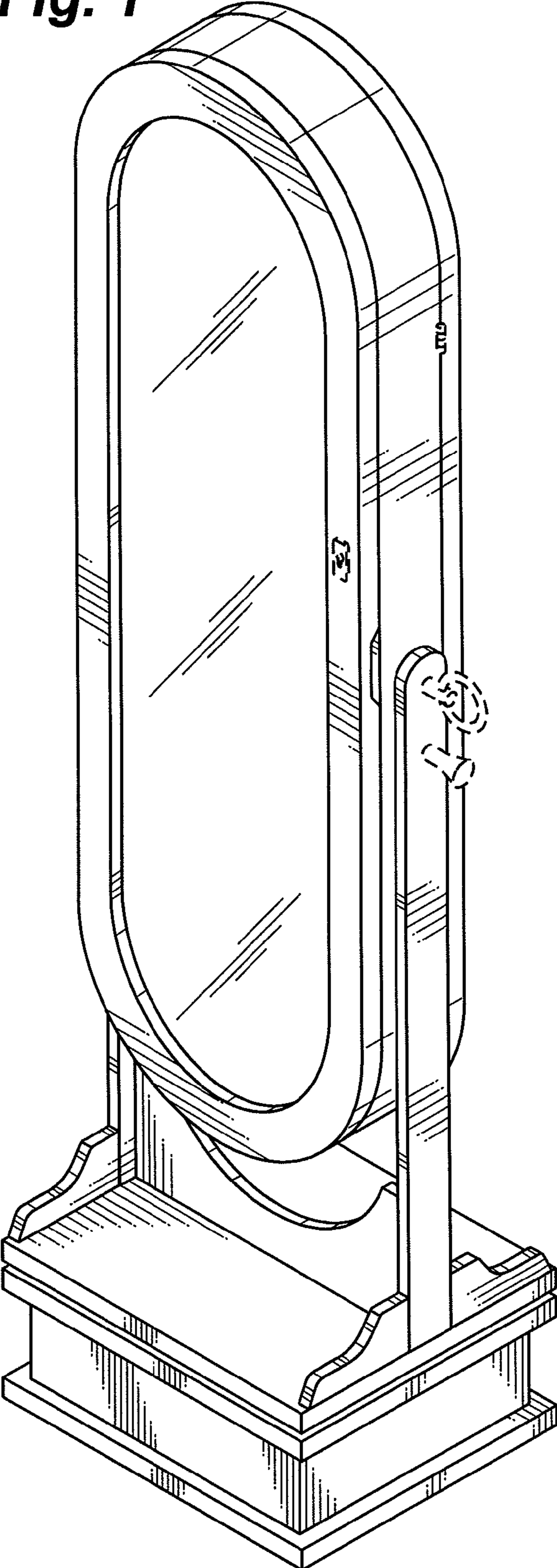
**DESCRIPTION**

FIG. 1 is a perspective view of my new design for a swivel oval mirror with stand and interior;  
 FIG. 2 is a front elevation view of my new design for a swivel oval mirror with stand and interior;  
 FIG. 3 is a side perspective view thereof;  
 FIG. 4 is a back elevation view thereof;  
 FIG. 5 is a right side elevation view thereof;  
 FIG. 6 is a top plan view thereof;  
 FIG. 7 is a bottom plan view thereof;  
 FIG. 8 is a front perspective view thereof with all the doors open; and,  
 FIG. 9 is a rear perspective view thereof with all the doors open.  
 The broken lines shown in the drawings are for illustrative purposes only and form no part of the claimed design.

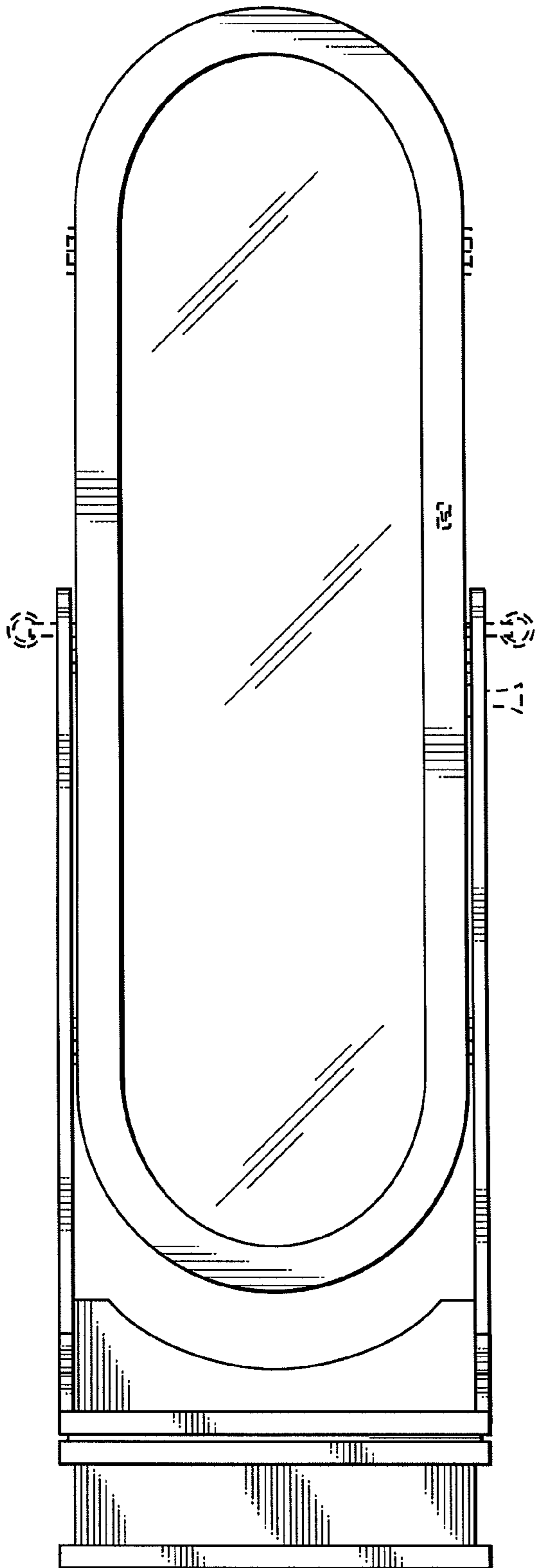
**1 Claim, 6 Drawing Sheets**



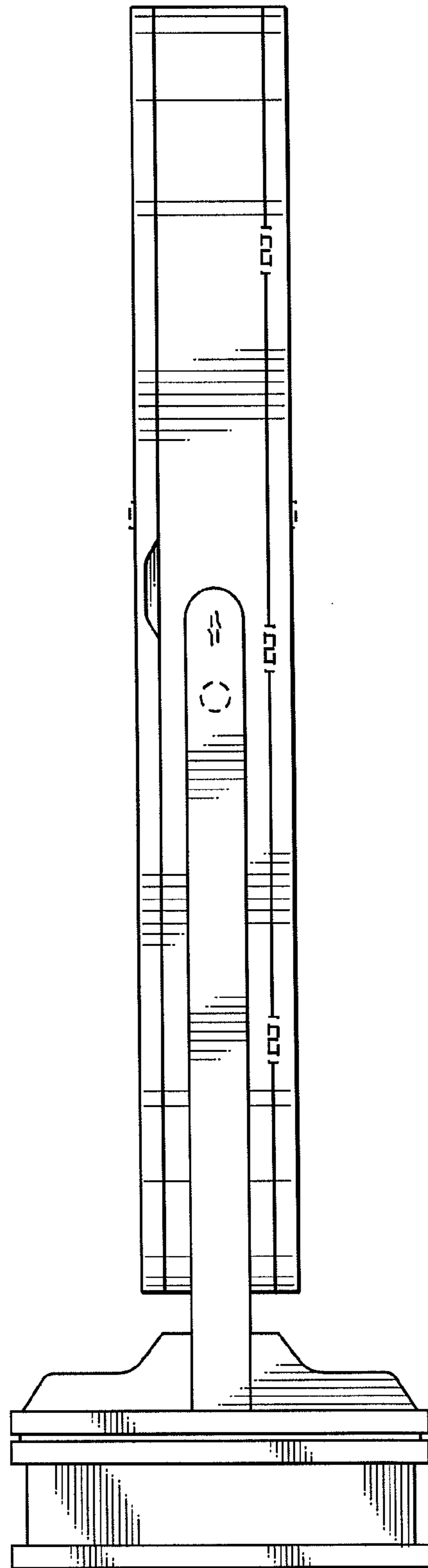
**Fig. 1**



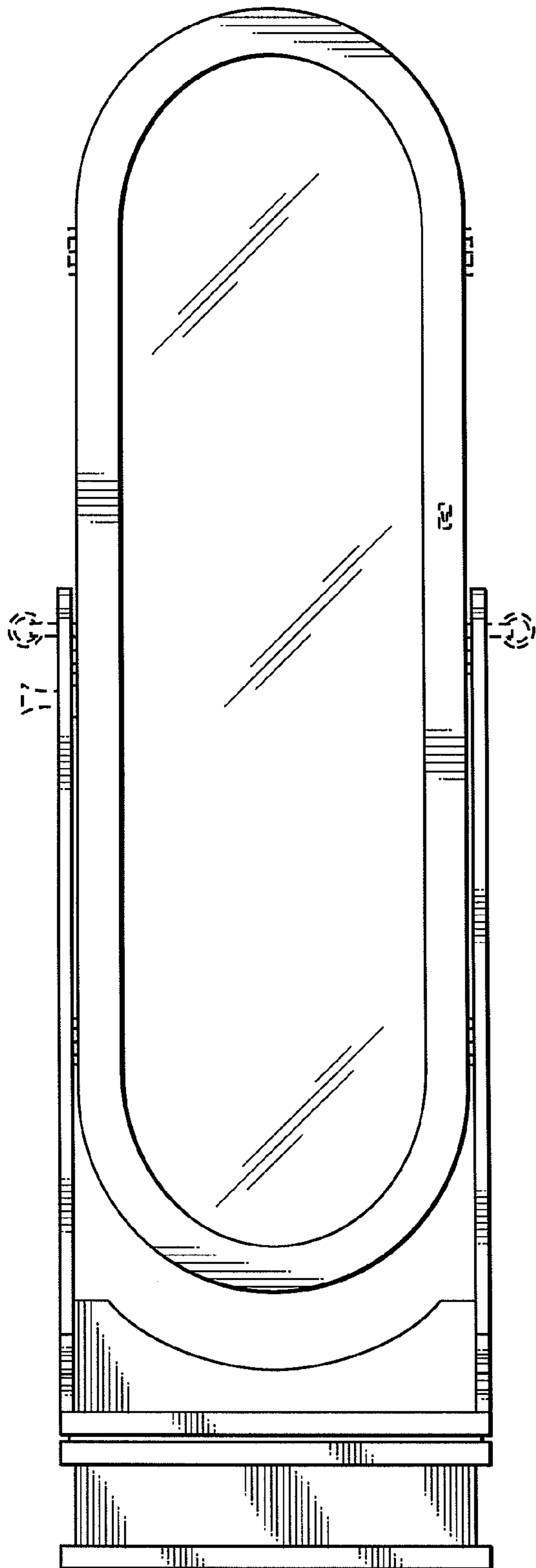
**Fig. 2**



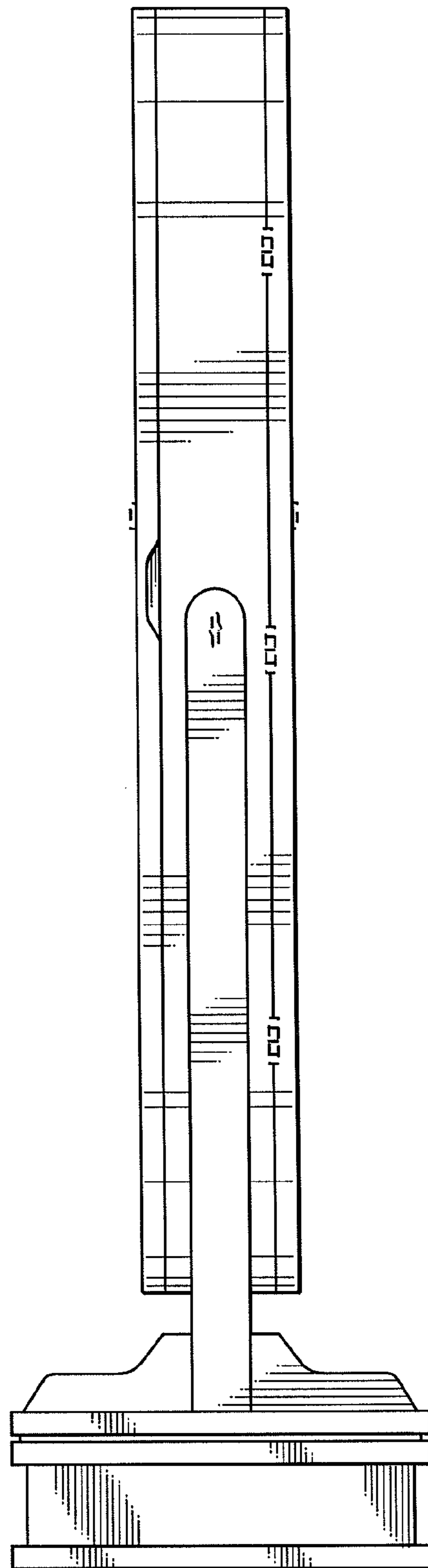
**Fig. 3**



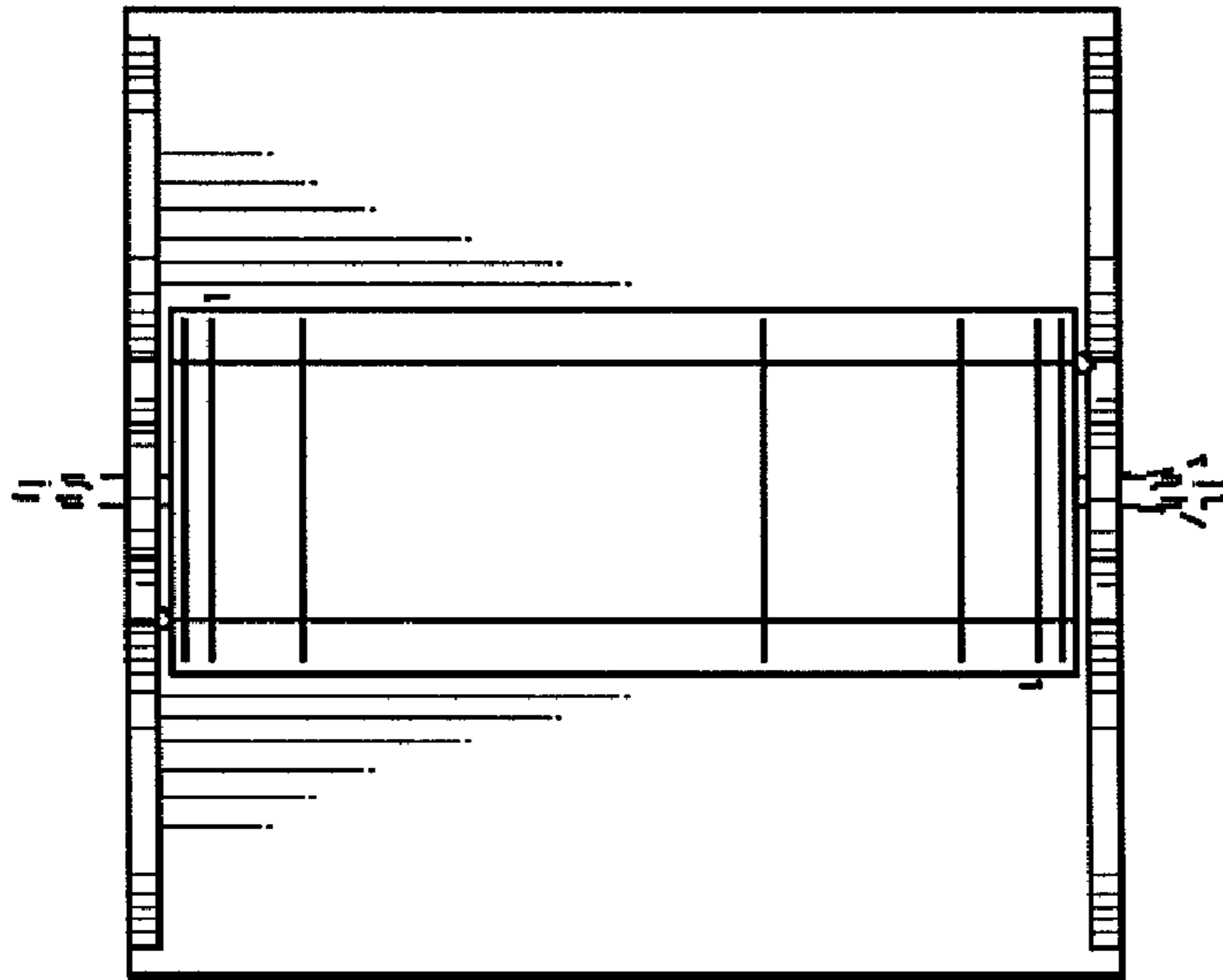
**Fig. 4**



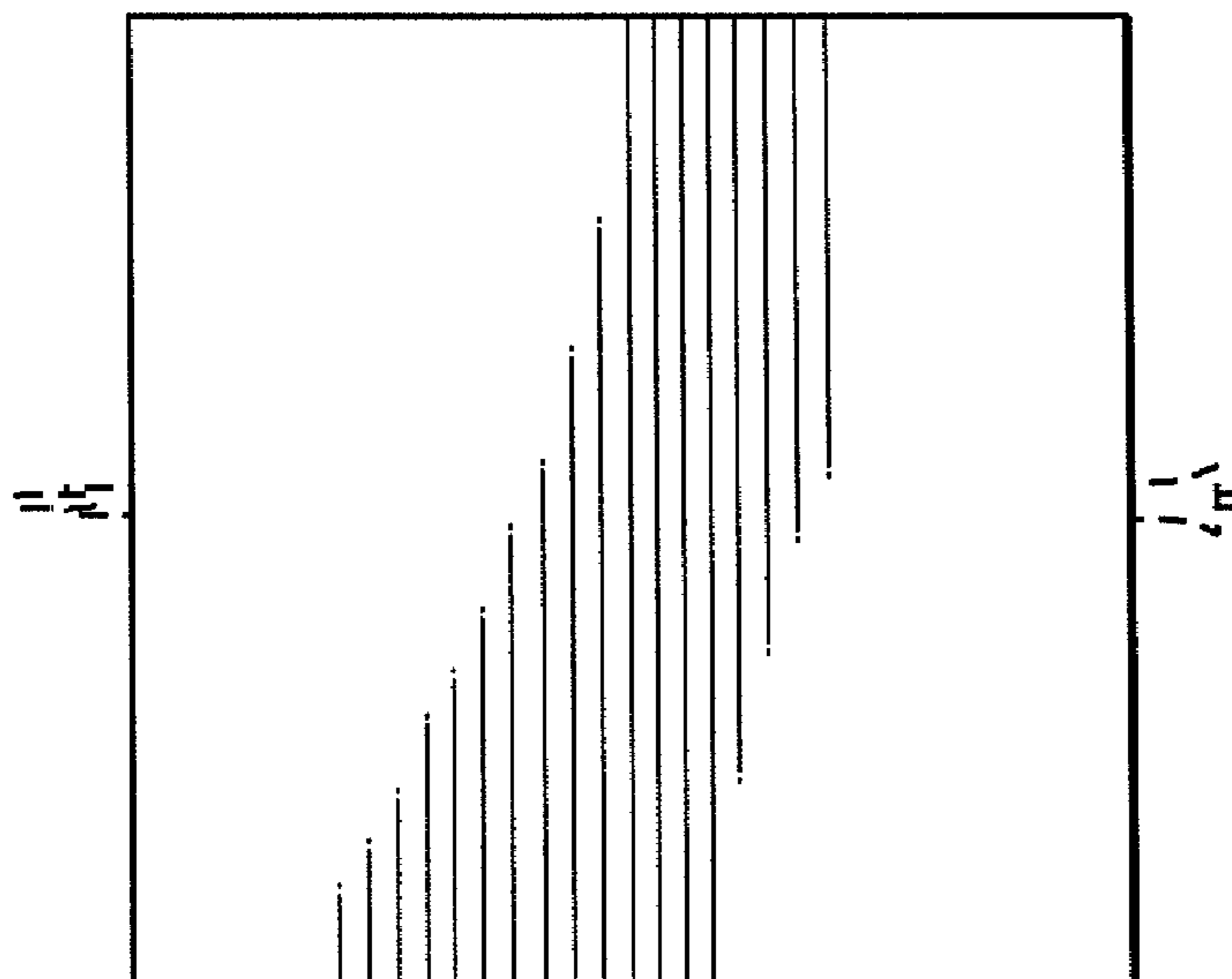
**Fig. 5**



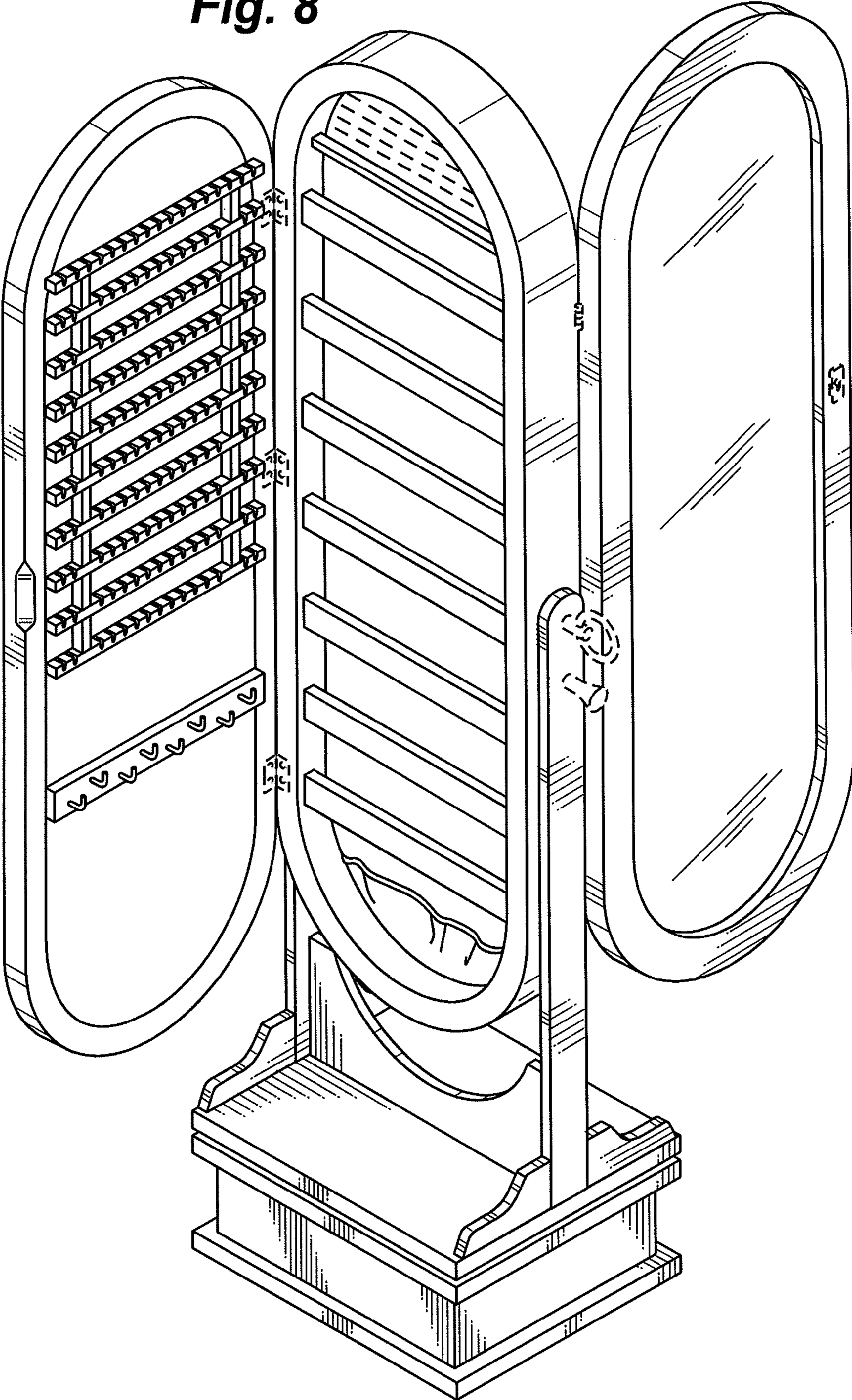
**Fig. 6**



**Fig. 7**



**Fig. 8**



**Fig. 9**

