

US00D667234S

(12) **United States Design Patent**
Maroney et al.

(10) **Patent No.:** **US D667,234 S**

(45) **Date of Patent:** **** Sep. 18, 2012**

(54) **CABINET**

(75) Inventors: **Ralf Maroney**, Stuart, FL (US); **Louis N. Tashash**, Killingworth, CT (US); **Marc Karpel**, Northford, CT (US)

(73) Assignee: **Plug-In Storage Systems, Inc.**, West Haven, CT (US)

(**) Term: **14 Years**

(21) Appl. No.: **29/393,948**

(22) Filed: **Jun. 10, 2011**

(51) **LOC (9) Cl.** **06-04**

(52) **U.S. Cl.** **D6/440; D6/445**

(58) **Field of Classification Search** D6/432,
D6/436, 437-439, 440, 445, 446, 447, 448;
312/107, 111, 138.1, 204, 237, 330.1, 257.1;
280/47.35

See application file for complete search history.

(56) **References Cited**

U.S. PATENT DOCUMENTS

2,004,900	A *	6/1935	Nock	312/107
D157,990	S *	4/1950	Mannen	D6/440
D180,171	S *	4/1957	Band	D6/445
2,912,294	A *	11/1959	Wells et al.	312/111
3,316,046	A *	4/1967	Stephens et al.	312/257.1

4,319,795	A *	3/1982	Klaus	312/330.1
4,413,867	A *	11/1983	Mosebrook et al.	312/111
D278,957	S *	5/1985	Flototto	D6/432
D283,769	S *	5/1986	Cohn	D6/446
D286,714	S *	11/1986	Verholt	D6/446
D293,863	S *	1/1988	Chester	D6/445
5,829,767	A *	11/1998	Grossman	280/47.35
D634,135	S *	3/2011	Matthews	D6/440

* cited by examiner

Primary Examiner — Mimoso De

(74) *Attorney, Agent, or Firm* — Raymond A. Nuzzo

(57) **CLAIM**

The ornamental design for a cabinet, as shown and described.

DESCRIPTION

FIG. 1 is a perspective, front view of our new design of a cabinet;

FIG. 2 is a front view thereof;

FIG. 3 is a side view thereof, the view showing the right side of the cabinet;

FIG. 4 is a rear view thereof;

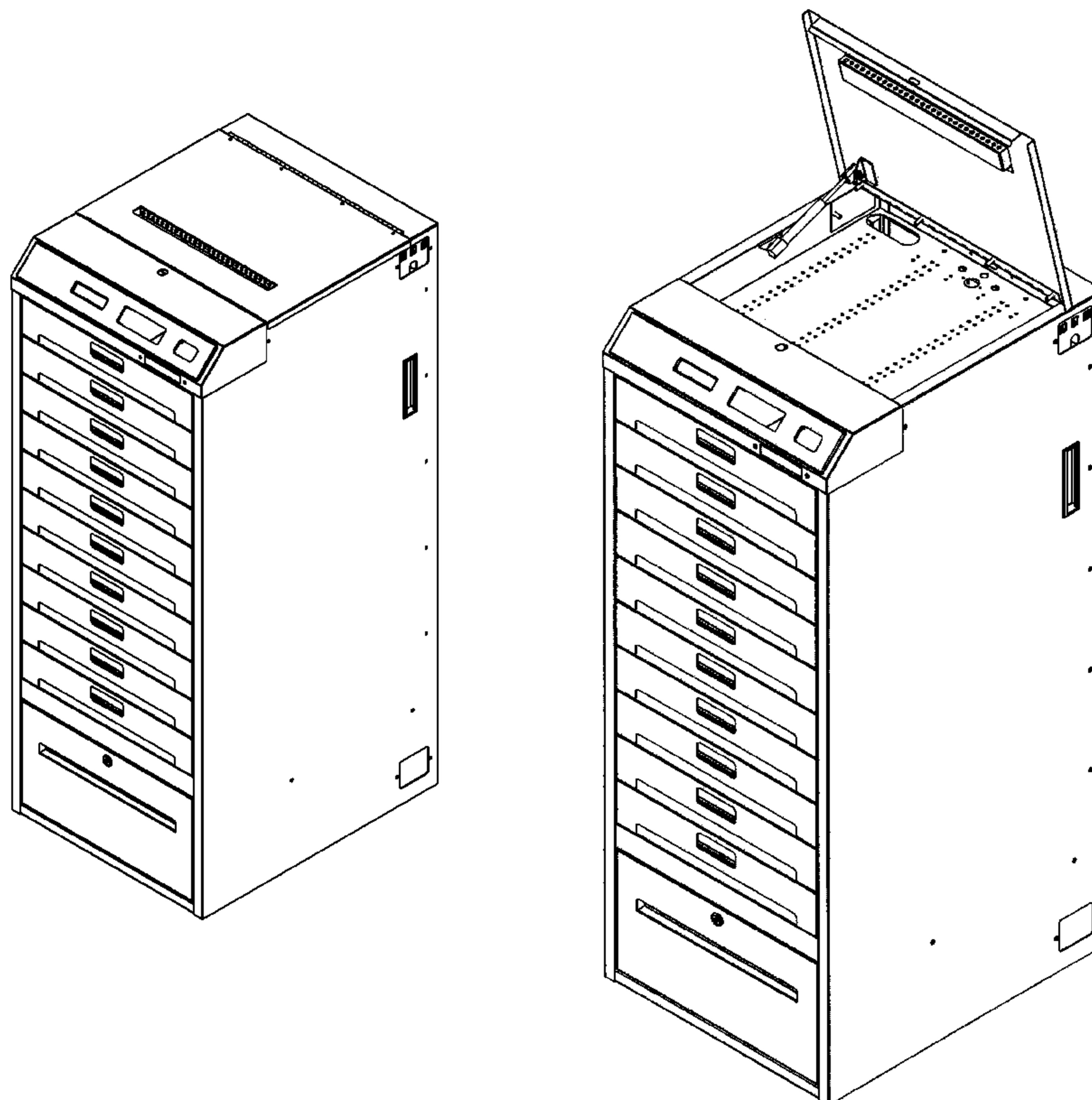
FIG. 5 is a top view thereof;

FIG. 6 is an enlarged view of a portion of the view shown in FIG. 1;

FIG. 7 is a perspective, rear view thereof, the view showing the rear and left side of the cabinet; and,

FIG. 8 is a perspective view, similar to FIG. 1, the view showing the top panel of the cabinet in an open position.

1 Claim, 8 Drawing Sheets



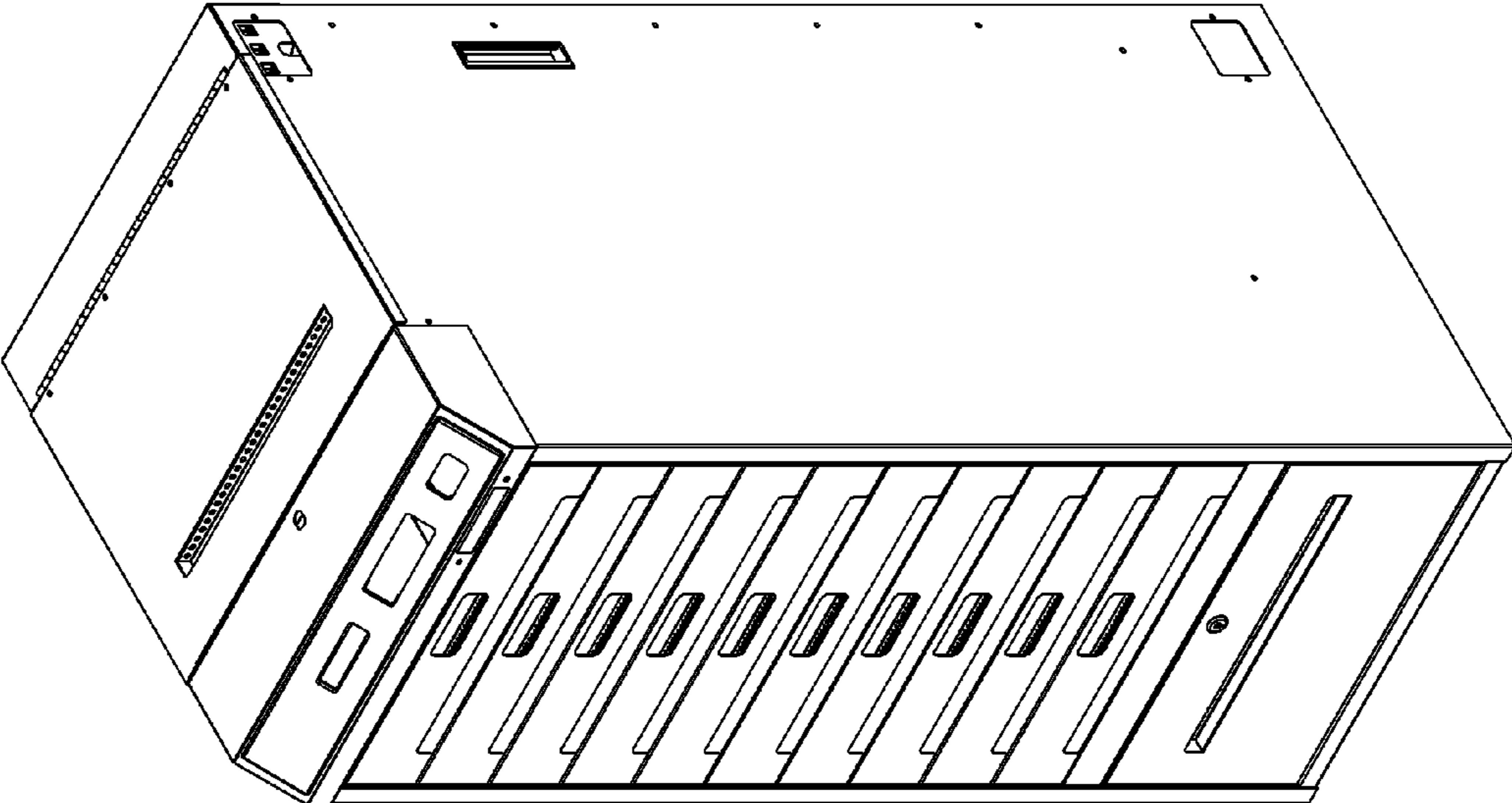


Fig. 01

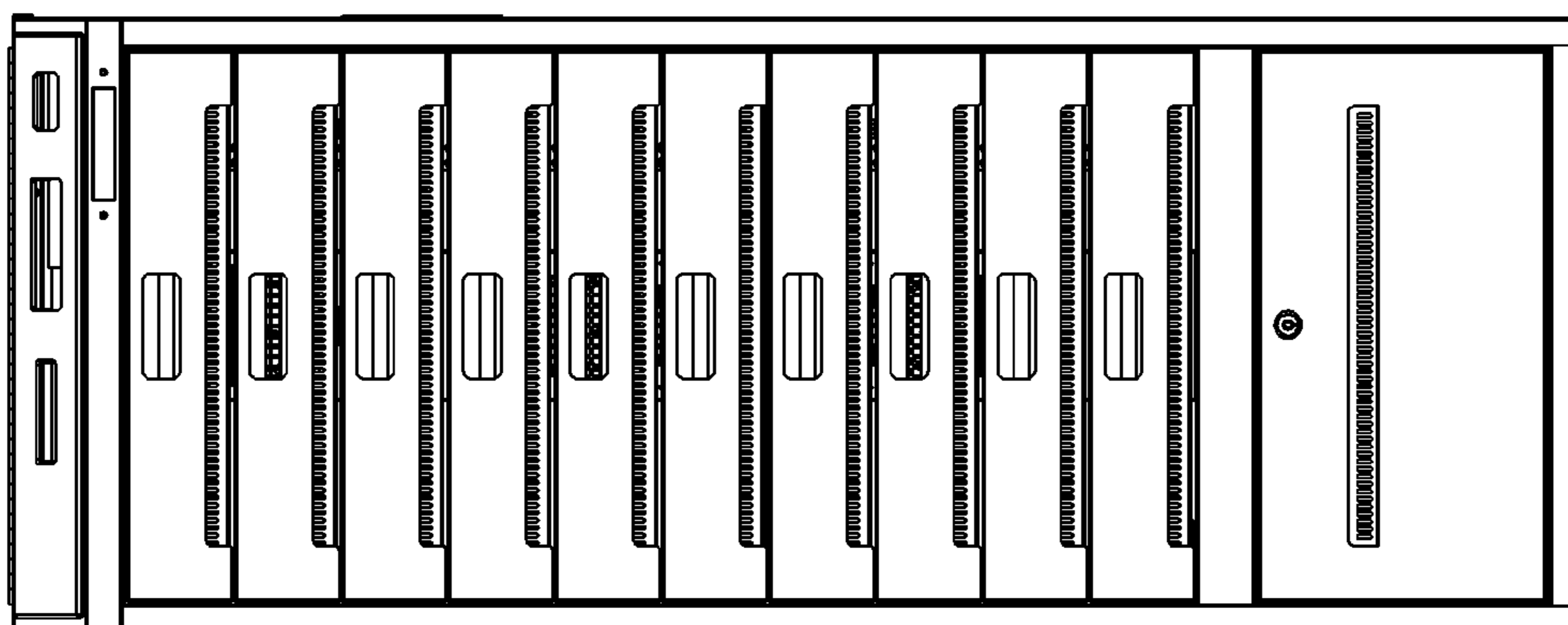


Fig.02

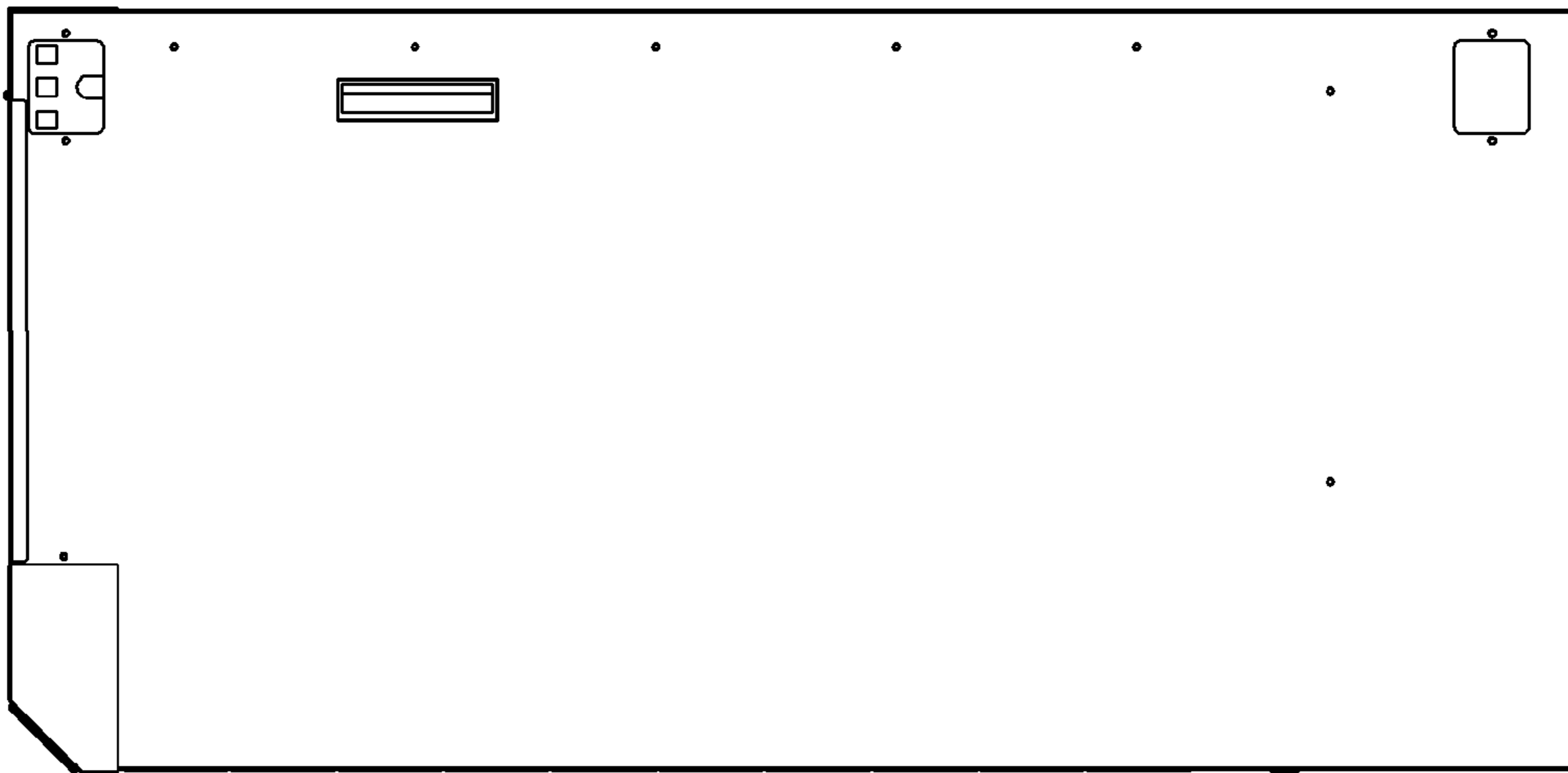


Fig.03

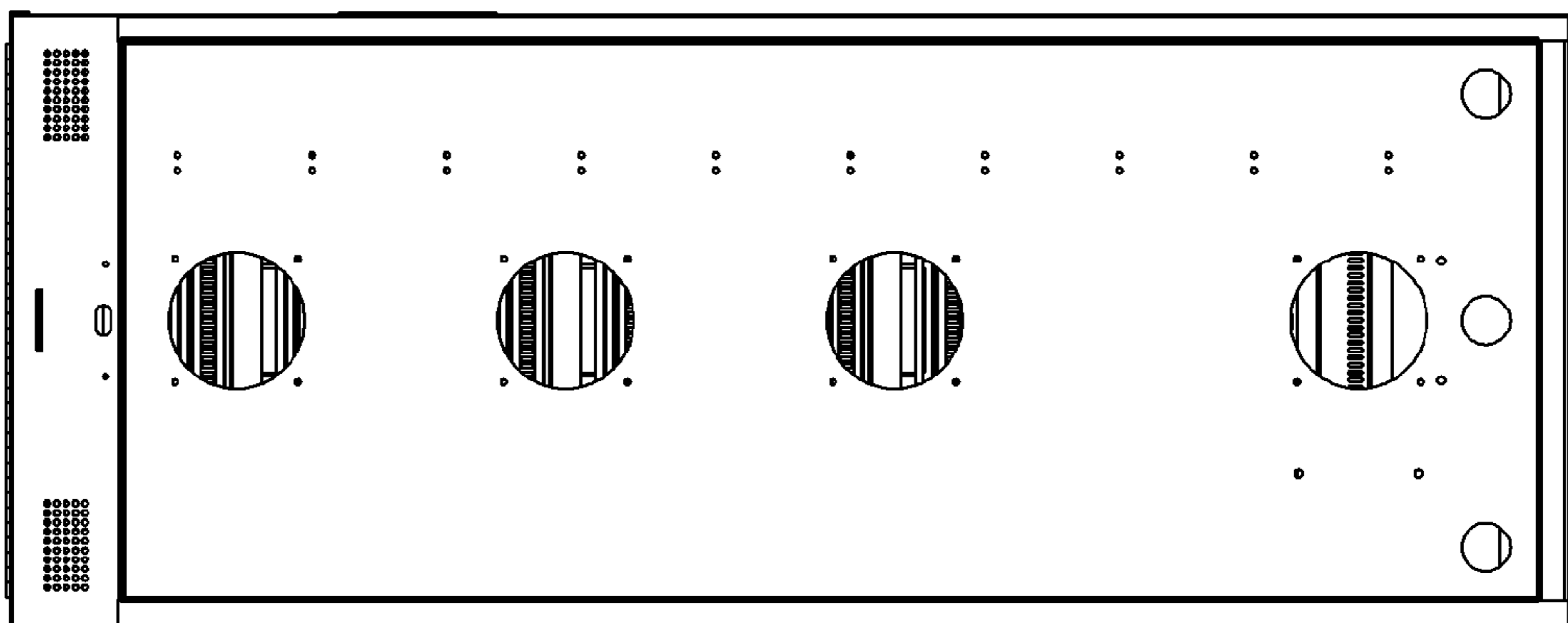


Fig.04

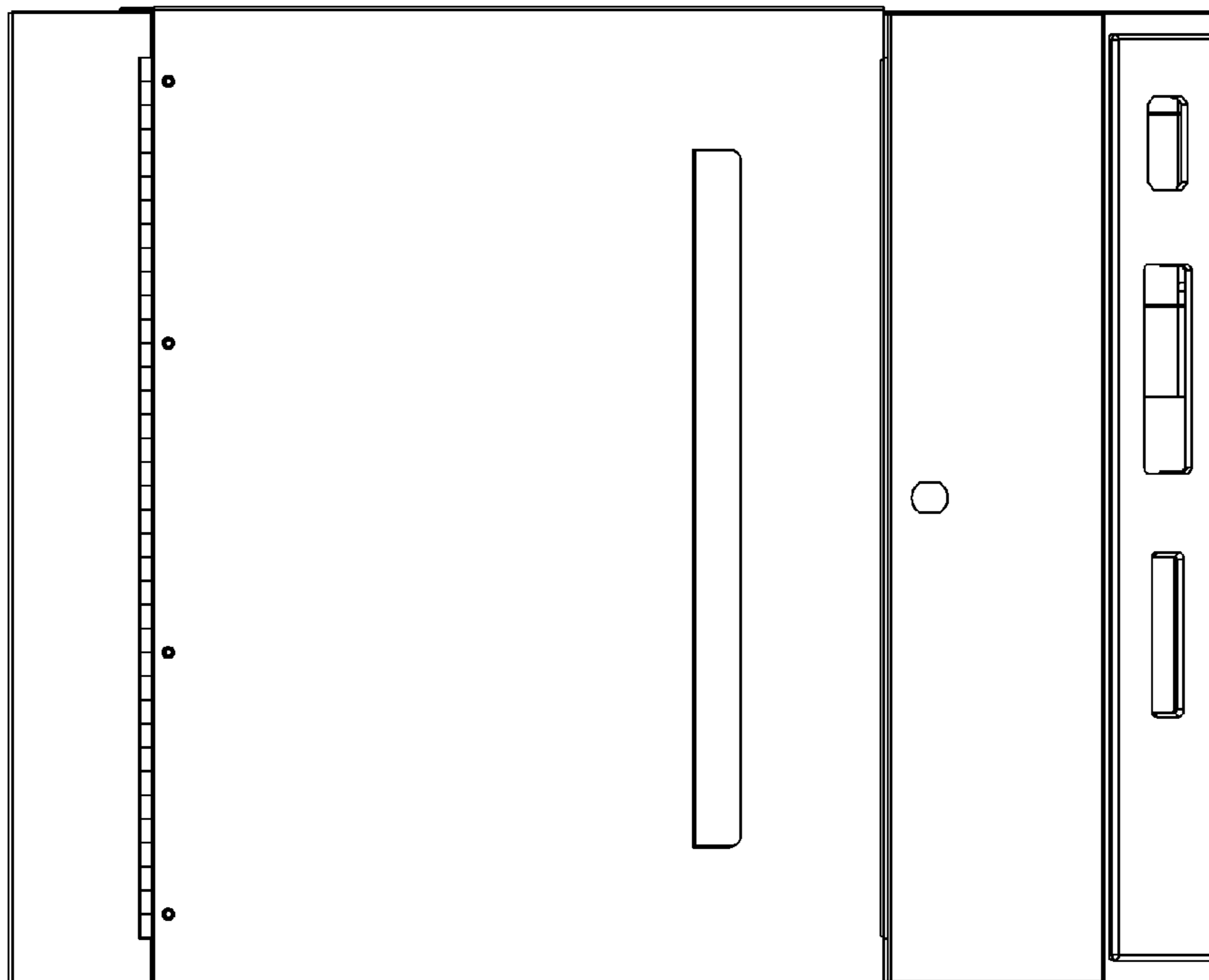


Fig.05

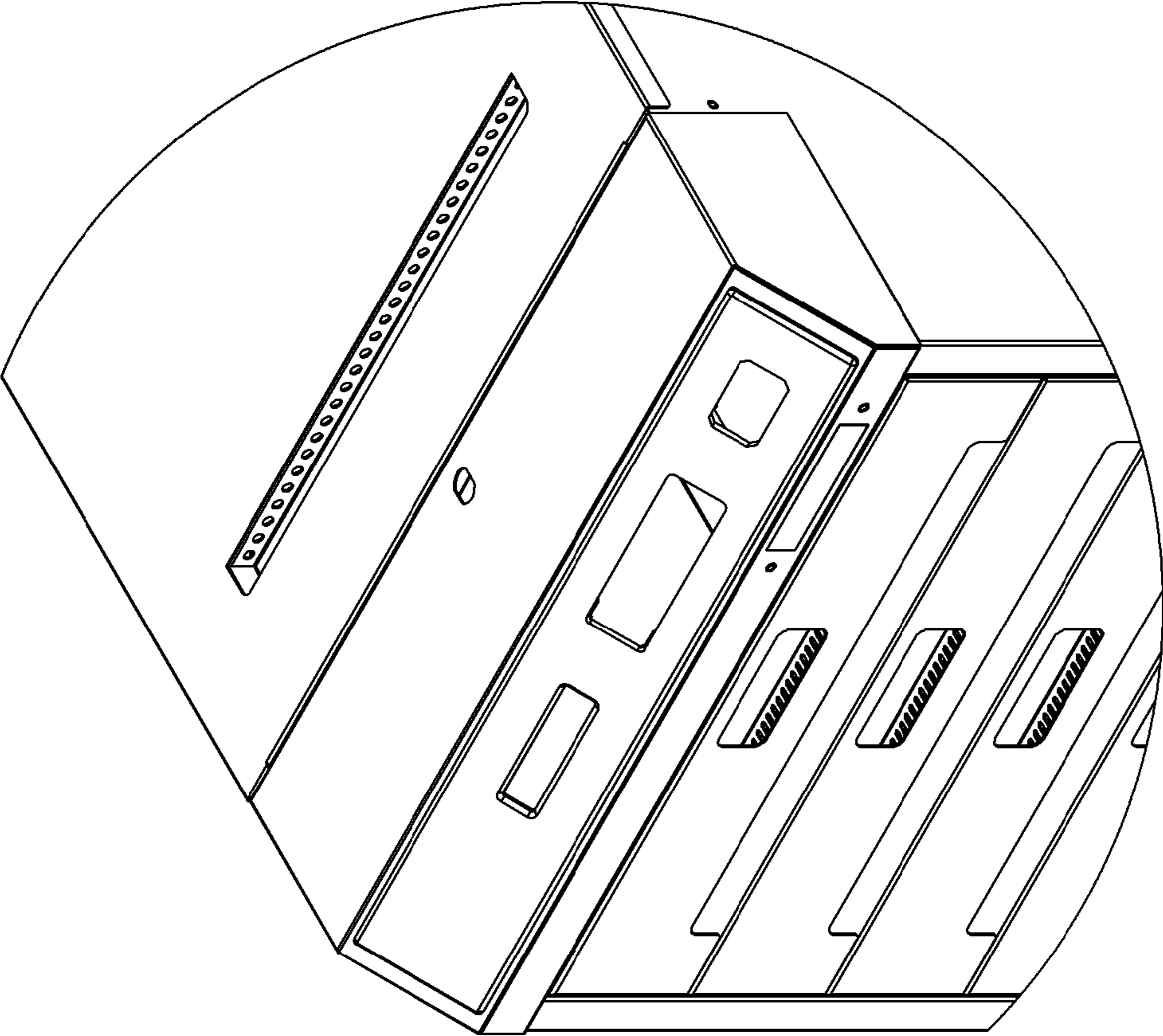


Fig.06

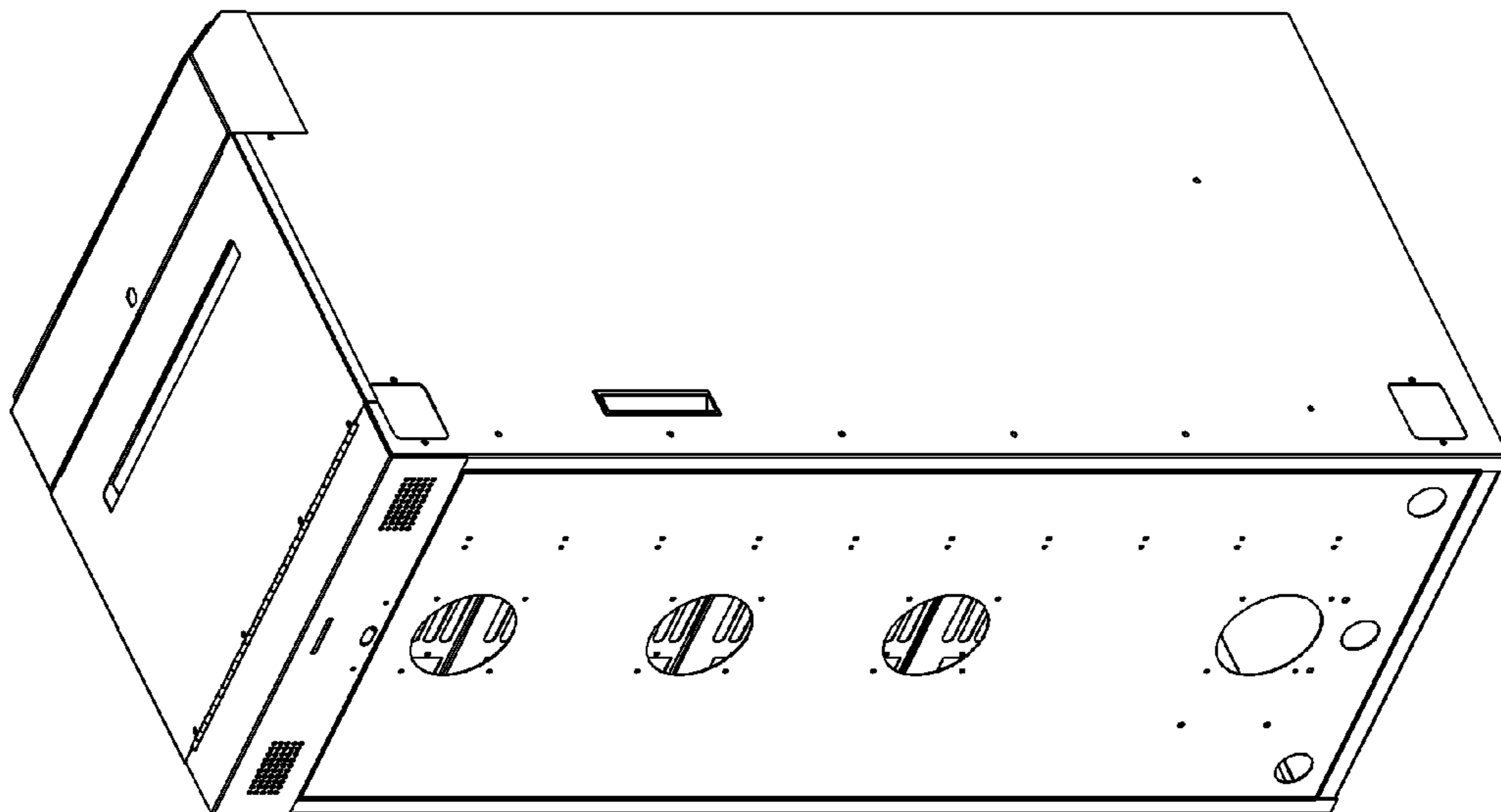


Fig.07

Fig. 08

