



US00D667232S

(12) **United States Design Patent**
Yang

(10) **Patent No.:** **US D667,232 S**
(45) **Date of Patent:** **** Sep. 18, 2012**

(54) **OFFICE CHAIR**

(76) Inventor: **Jianhua Yang**, Foshan (CN)

(**) Term: **14 Years**

(21) Appl. No.: **29/401,161**

(22) Filed: **Sep. 8, 2011**

(30) **Foreign Application Priority Data**

Mar. 12, 2011 (CN) 2011 3 0041586

(51) **LOC (9) Cl.** **06-01**

(52) **U.S. Cl.** **D6/366**

(58) **Field of Classification Search** D6/334-336,
D6/364-367, 379-380, 498, 500-502; 297/411.2,
297/411.27, 411.36, 452.13, 452.21, 452.29
See application file for complete search history.

(56) **References Cited**

U.S. PATENT DOCUMENTS

D244,729 S *	6/1977	Buhk	D6/366
D244,892 S *	7/1977	Koepke	D6/366
D273,640 S *	5/1984	Petitt	D6/366
D301,662 S *	6/1989	Vonhausen	D6/366
D328,395 S *	8/1992	Neuser	D6/366
D355,303 S *	2/1995	Scheper et al.	D6/366
D357,130 S *	4/1995	Schultz	D6/366
D369,688 S *	5/1996	Dammerman	D6/366
D435,747 S *	1/2001	Ho-Tsai et al.	D6/501
D487,987 S *	4/2004	Wu	D6/366
D493,987 S *	8/2004	True	D6/500
D496,535 S *	9/2004	Goodworth	D6/366
D530,935 S *	10/2006	Huang	D6/366
D534,383 S *	1/2007	Chu	D6/501
D545,583 S *	7/2007	Huang	D6/366
D550,467 S *	9/2007	Koepke et al.	D6/366
D560,381 S *	1/2008	Dauphin	D6/366
D564,245 S *	3/2008	Dauphin	D6/366
D564,766 S *	3/2008	Zimmermann et al.	D6/366
D570,126 S *	6/2008	Zhang	D6/366
D572,924 S *	7/2008	Huang	D6/366
D583,161 S *	12/2008	Huang	D6/366

D586,136 S *	2/2009	Valdiserri et al.	D6/366
D587,916 S *	3/2009	Bouroullec et al.	D6/366
D589,271 S *	3/2009	Neil	D6/366
D600,461 S *	9/2009	Sexton	D6/366
D600,931 S *	9/2009	Pearson et al.	D6/366
D602,289 S *	10/2009	Mezzera	D6/501
7,654,616 B2 *	2/2010	Kinoshita et al.	297/452.56
D611,738 S *	3/2010	Kubryk	D6/500
D614,894 S *	5/2010	Queally et al.	D6/500
D616,655 S *	6/2010	Igarashi	D6/366
D618,469 S *	6/2010	Romero	D6/366
D623,447 S *	9/2010	Kubryk	D6/500
D623,879 S *	9/2010	Kubryk	D6/500
D627,983 S *	11/2010	Wakasugi et al.	D6/366
D636,614 S *	4/2011	Sander et al.	D6/366
D637,829 S *	5/2011	Citterio	D6/366
D641,576 S *	7/2011	Giugiaro	D6/502
D642,393 S *	8/2011	Giugiaro	D6/366
D646,092 S *	10/2011	Romero	D6/502
D647,717 S *	11/2011	Zund et al.	D6/366
D648,158 S *	11/2011	Kubryk	D6/500
D648,968 S *	11/2011	Piretti et al.	D6/502
D649,795 S *	12/2011	Izawa	D6/366
2011/0031793 A1 *	2/2011	Machael et al.	297/303.1

* cited by examiner

Primary Examiner — Kelley Donnelly

(74) *Attorney, Agent, or Firm* — Winthrop & Weinstine, P.A.

(57) **CLAIM**

The ornamental design for an office chair, as shown and described.

DESCRIPTION

FIG. 1 is a front perspective view of the office chair showing the design.

FIG. 2 is a front elevational view thereof.

FIG. 3 is a rear elevational view thereof.

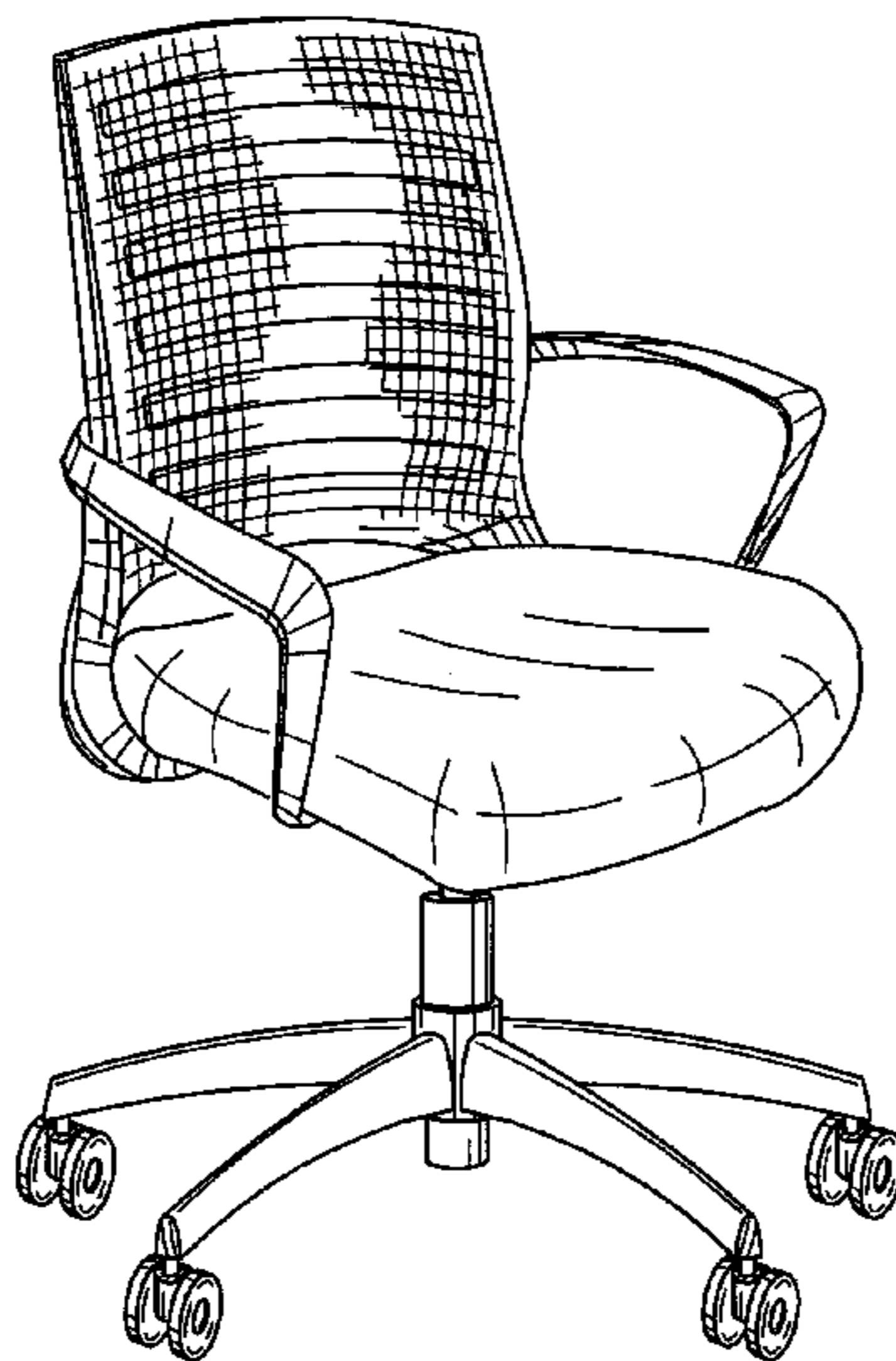
FIG. 4 is a left side view thereof.

FIG. 5 is a right side view thereof.

FIG. 6 is a top plan view thereof; and,

FIG. 7 is a bottom plan view thereof.

1 Claim, 7 Drawing Sheets



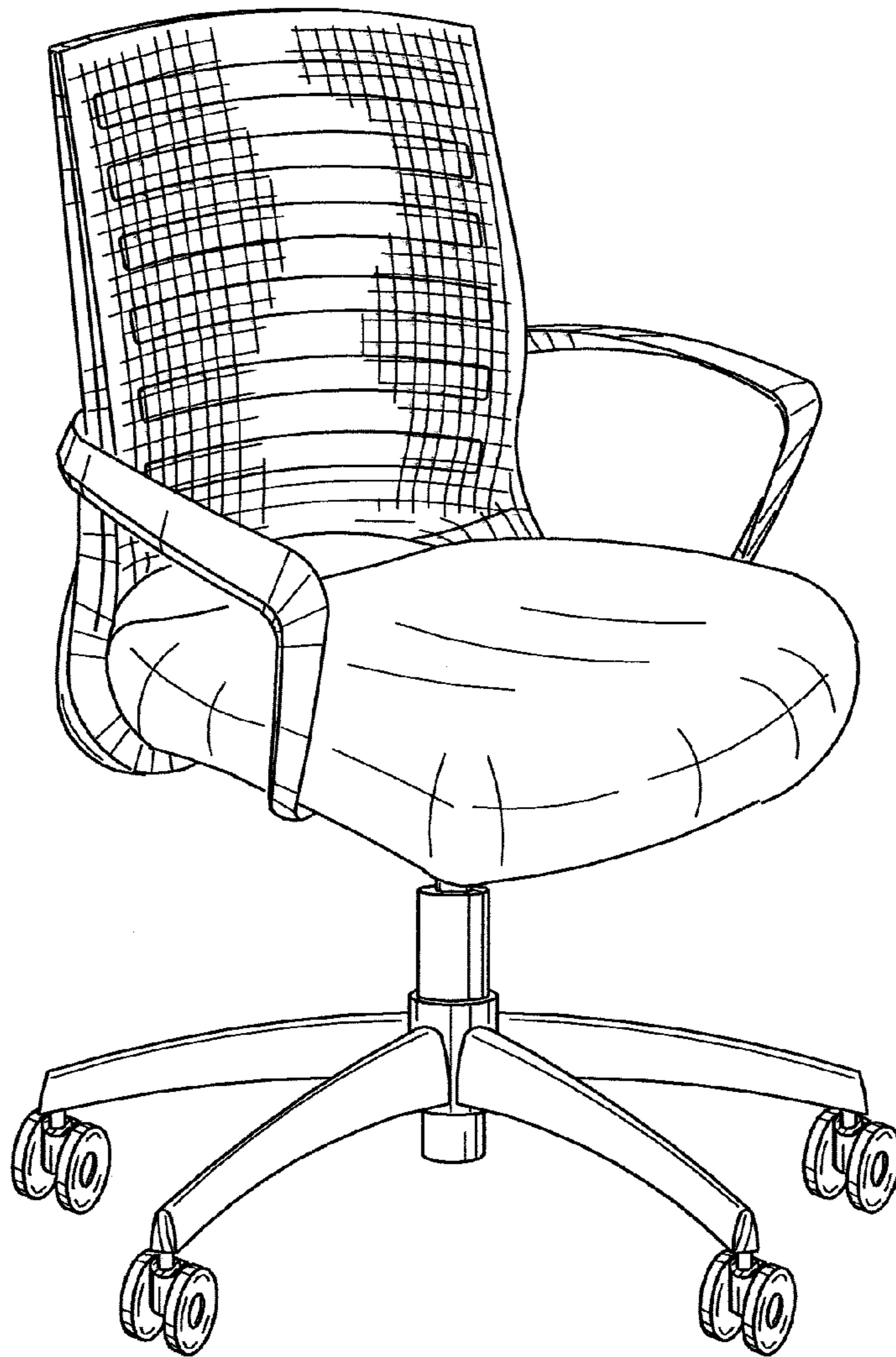


FIG. 1

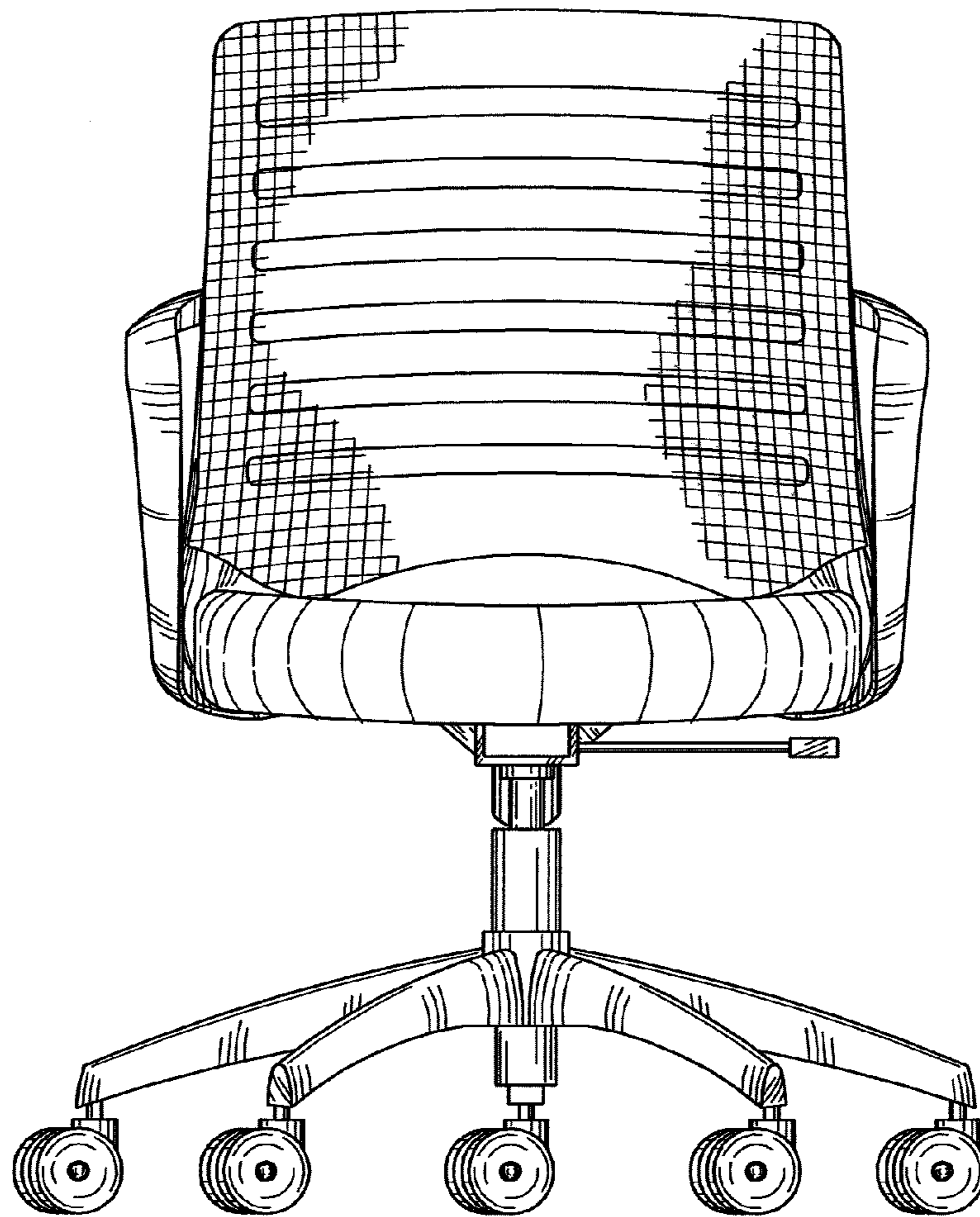


FIG. 2

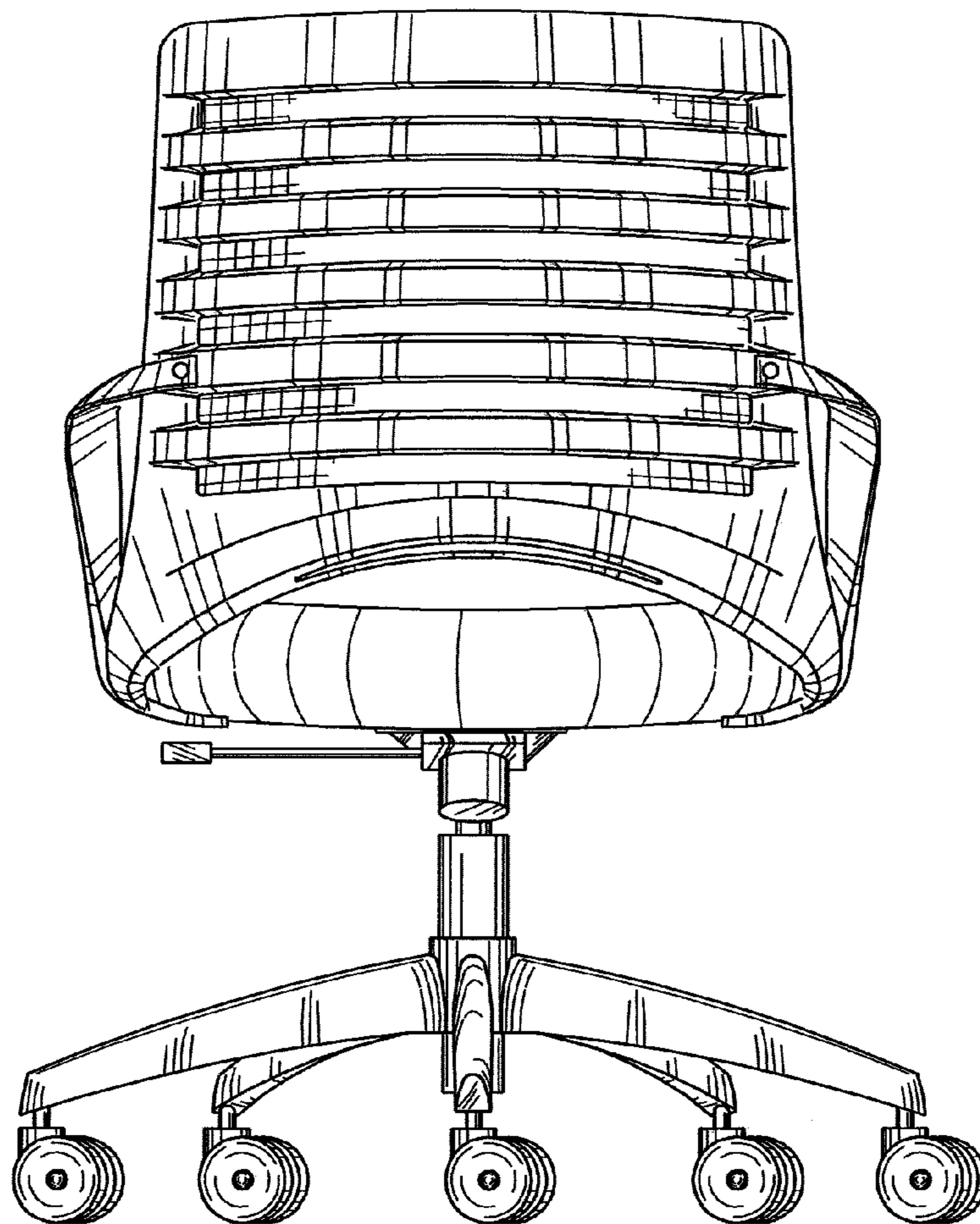


FIG. 3

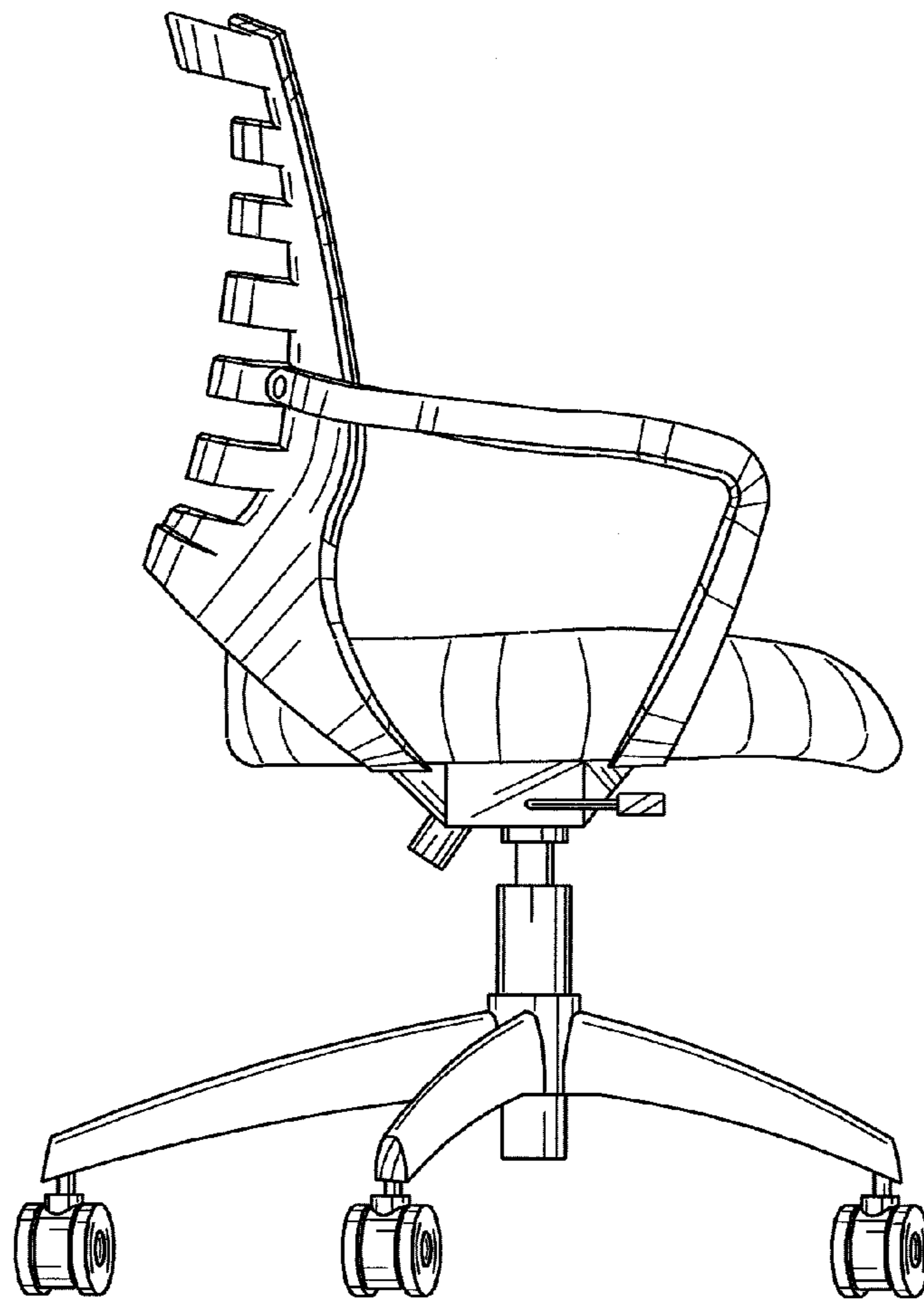


FIG. 4

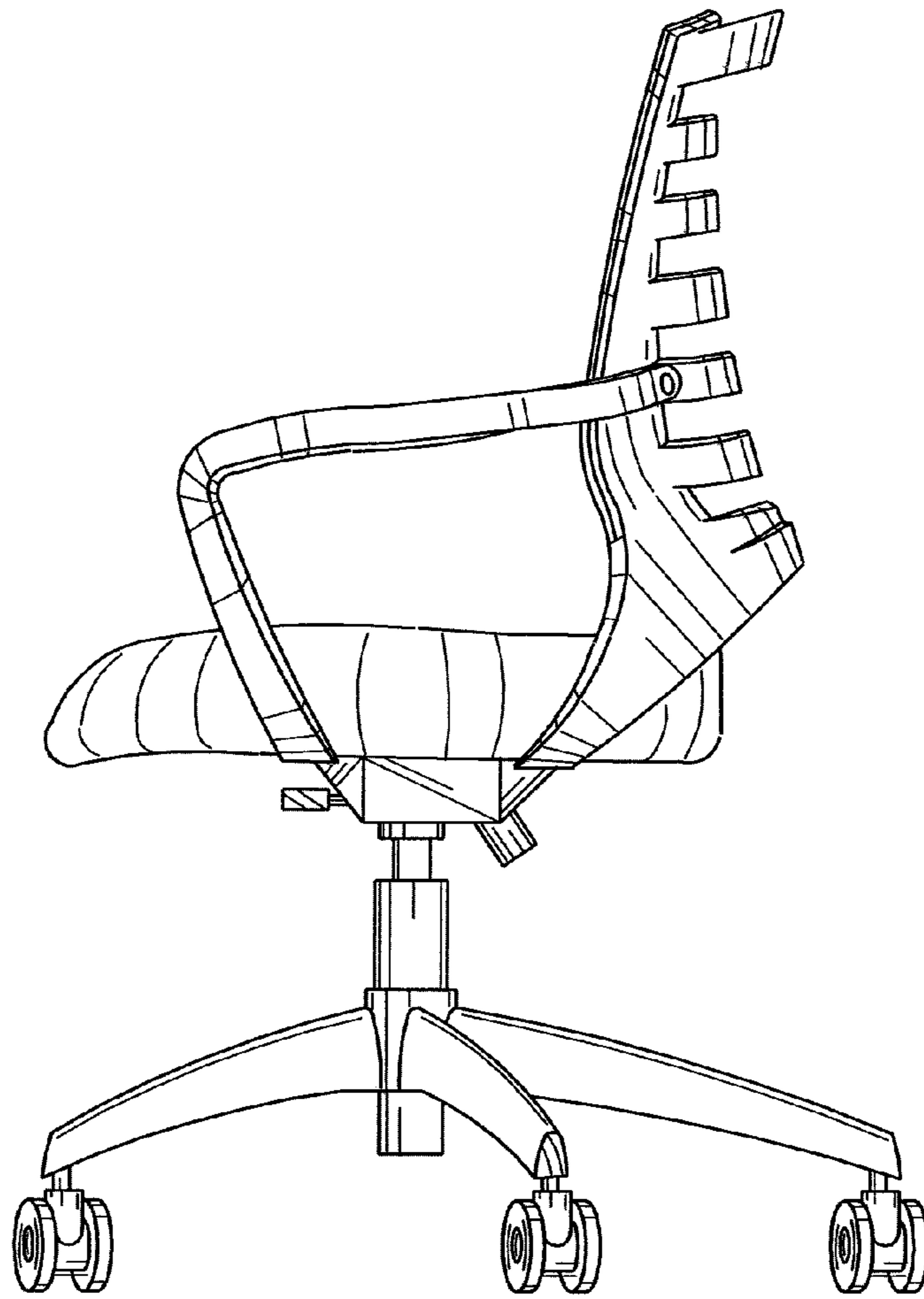


FIG. 5

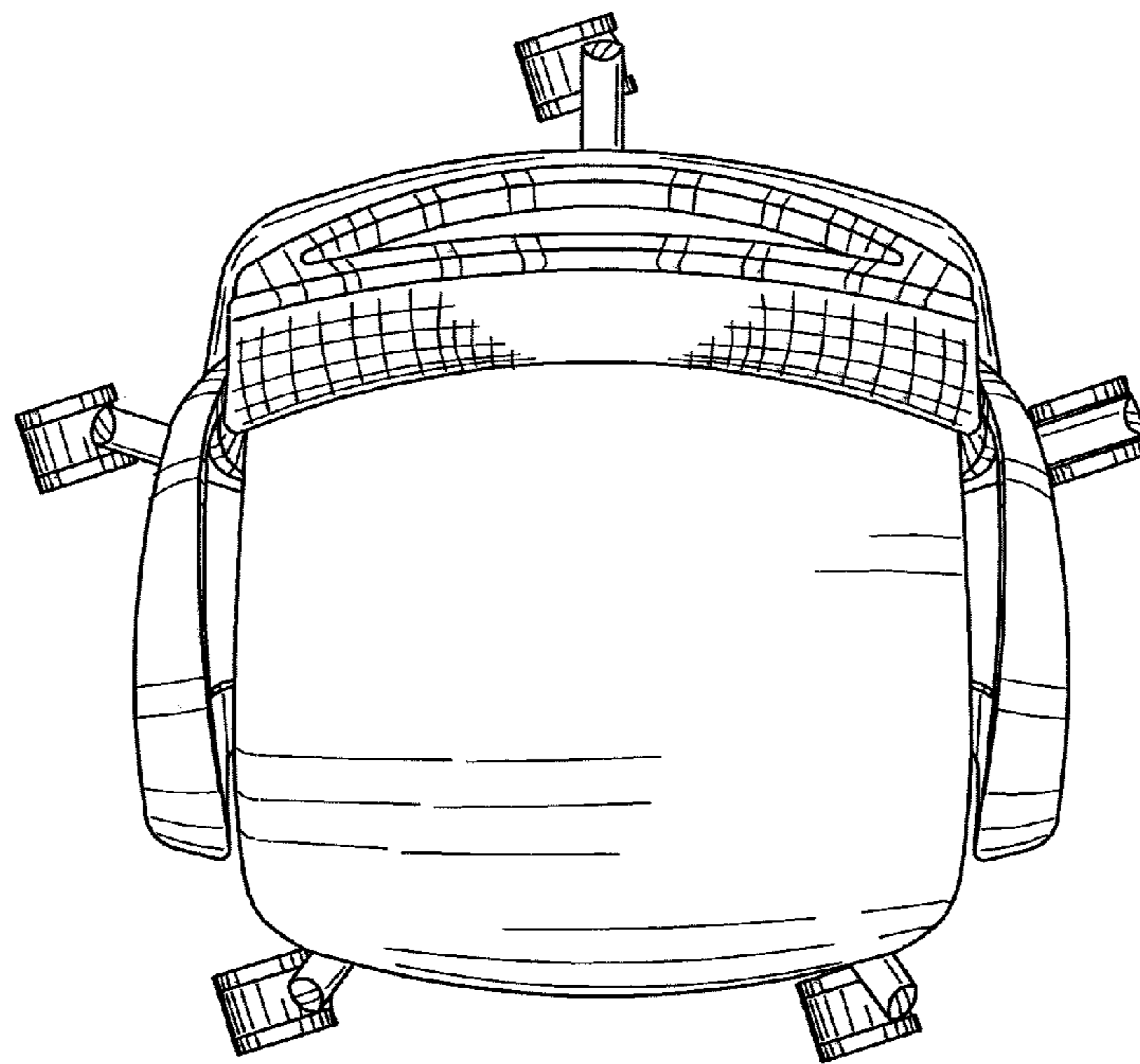


FIG. 6

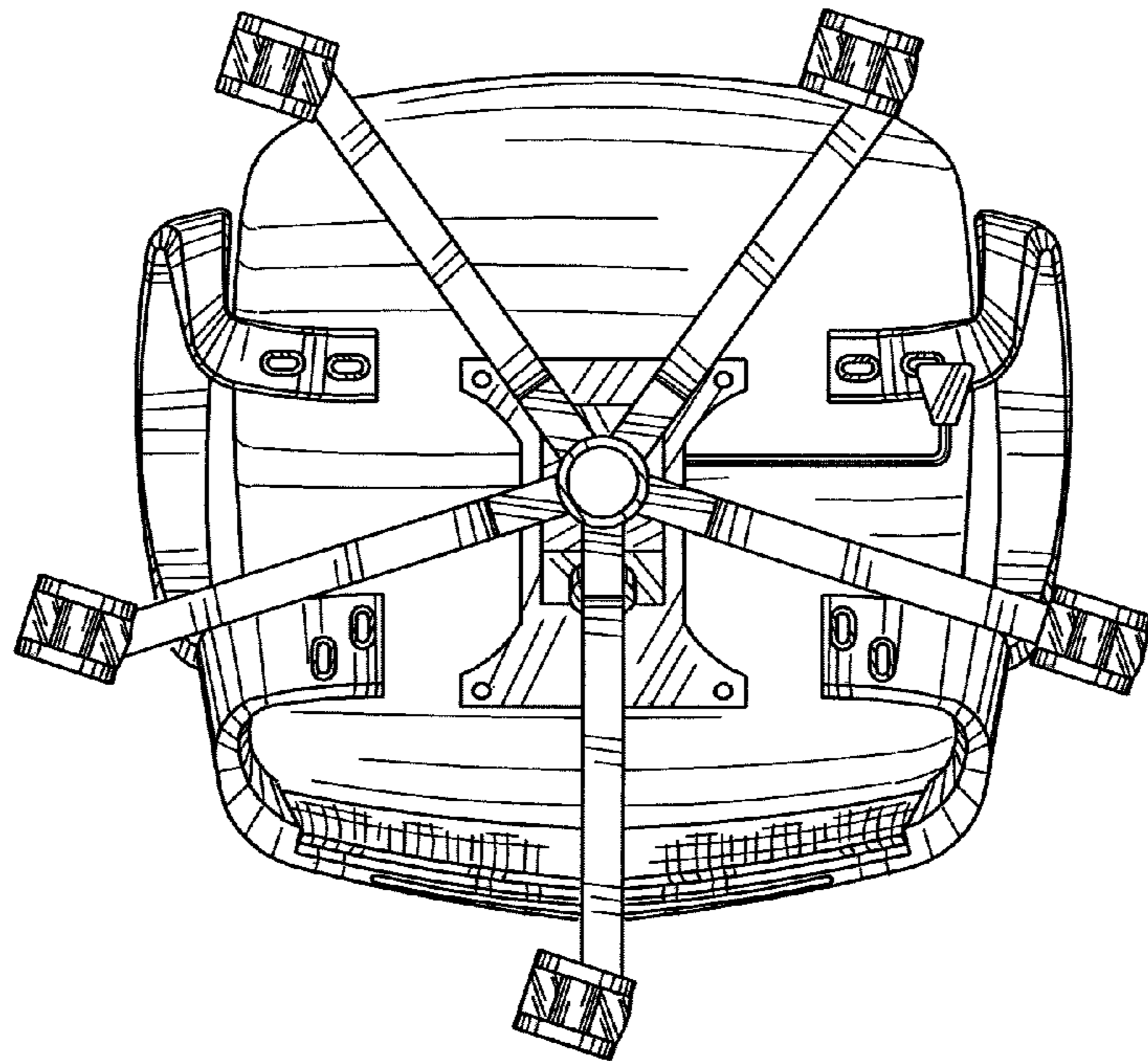


FIG. 7