



US00D667230S

(12) **United States Design Patent**
Shokouhi

(10) **Patent No.:** **US D667,230 S**

(45) **Date of Patent:** **** Sep. 18, 2012**

(54) **BAR STOOL**

(75) Inventor: **Behshad Shokouhi**, Sherman Oaks, CA
(US)

(73) Assignee: **Chameleon Chairs LLC**, Torrance, CA
(US)

(**) Term: **14 Years**

(21) Appl. No.: **29/414,301**

(22) Filed: **Feb. 27, 2012**

(51) **LOC (9) Cl.** **06-01**

(52) **U.S. Cl.** **D6/360**

(58) **Field of Classification Search** D6/334-336,
D6/360, 364, 366, 369, 374, 375, 376, 379,
D6/380, 499, 500-502; 297/445.1, 446.1,
297/449.1, 451.9, 452.18, 452.64

See application file for complete search history.

(56) **References Cited**

U.S. PATENT DOCUMENTS

D81,777 S *	8/1930	Cummings	D6/369
D333,046 S *	2/1993	Grosfillex	D6/380
D347,739 S *	6/1994	Beaulieu	D6/360
D413,739 S *	9/1999	Wilson	D6/376
D433,829 S *	11/2000	Barile et al.	D6/360
D433,830 S *	11/2000	Barile et al.	D6/360
D468,926 S *	1/2003	Bongaerts	D6/380
D485,081 S *	1/2004	Bongaerts	D6/360
D487,849 S *	3/2004	Tseng	D6/376

D627,572 S *	11/2010	Urquiola	D6/369
D627,573 S *	11/2010	Urquiola	D6/369
D650,607 S *	12/2011	Shokouhi	D6/376

* cited by examiner

Primary Examiner — Mimoso De

(74) *Attorney, Agent, or Firm* — Stoneman Law Patent
Group; Martin L. Stoneman; Kyle Liudahl

(57) **CLAIM**

The ornamental design for a bar stool, as shown and
described.

DESCRIPTION

FIG. 1 is a rear perspective view of a chair showing my new
design;

FIG. 2 is a front view thereof;

FIG. 3 is a right side view thereof, the left side being a mirror
image;

FIG. 4 is a rear view thereof;

FIG. 5 is a top view thereof; and

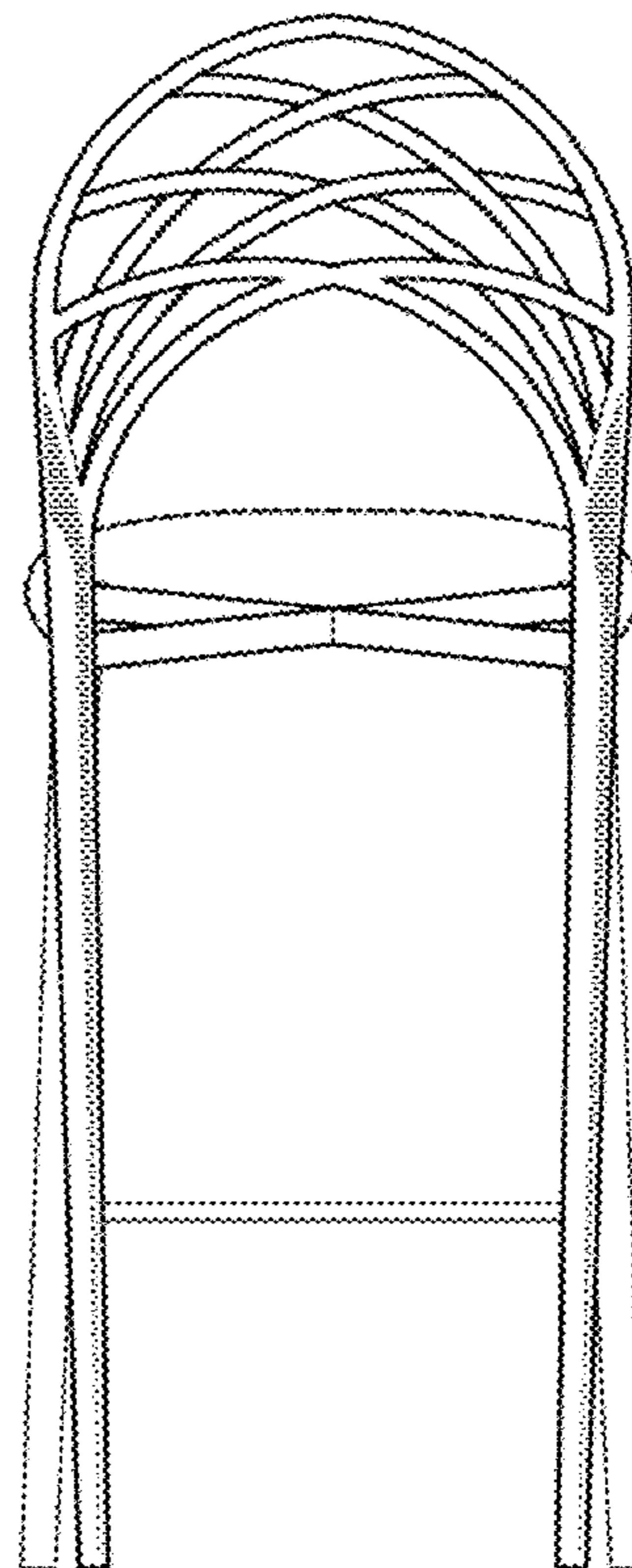
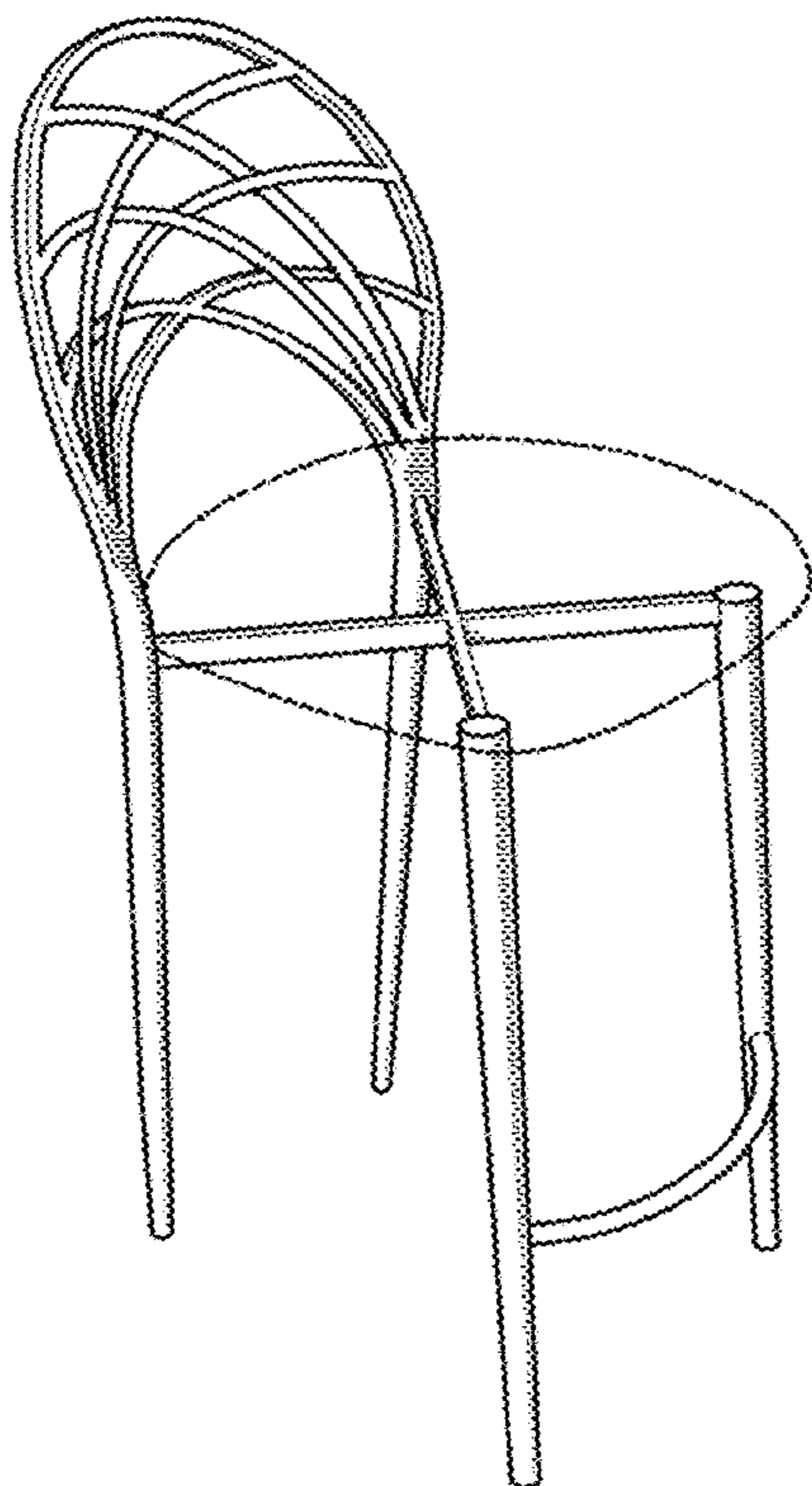
FIG. 6 is a bottom view thereof.

FIG. 7 is a sectional view, enlarged for clarity, through the
section 7-7 of FIG. 2; and,

FIG. 8 is a sectional view, enlarged for clarity, through the
section 8-8 of FIG. 3.

The broken line depiction of environmental structure is pro-
vided for illustrative purposes only and forms no part of the
claimed design.

1 Claim, 6 Drawing Sheets



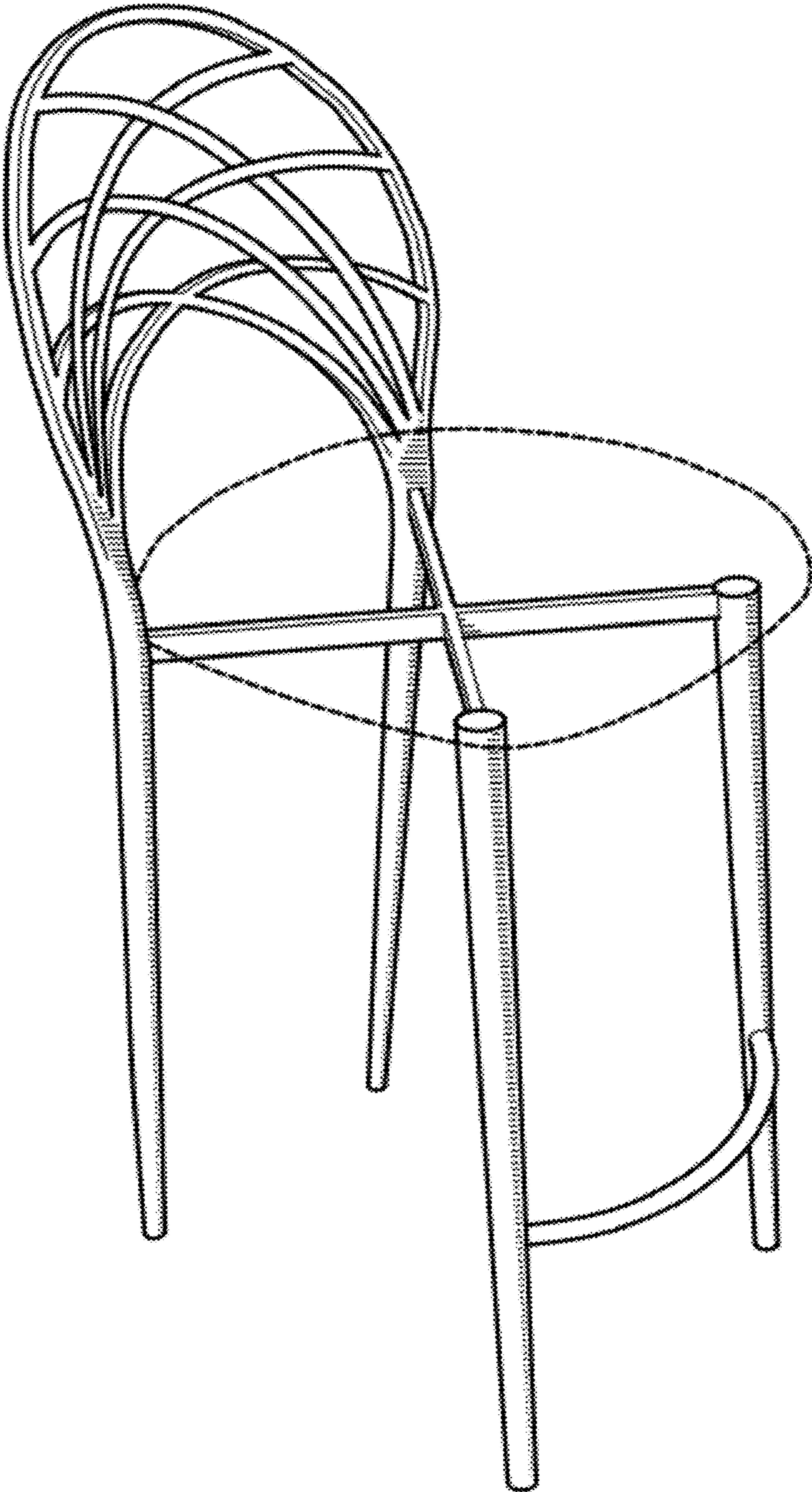


FIG. 1

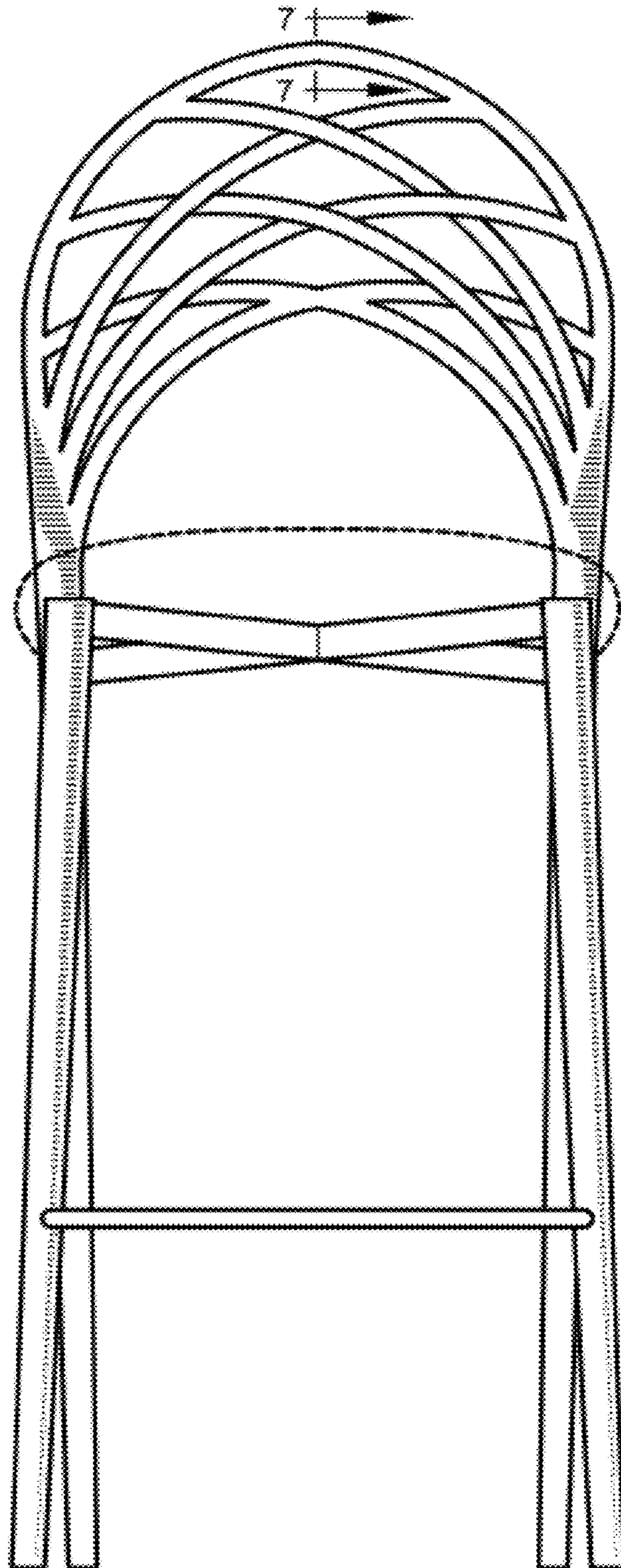


FIG. 2

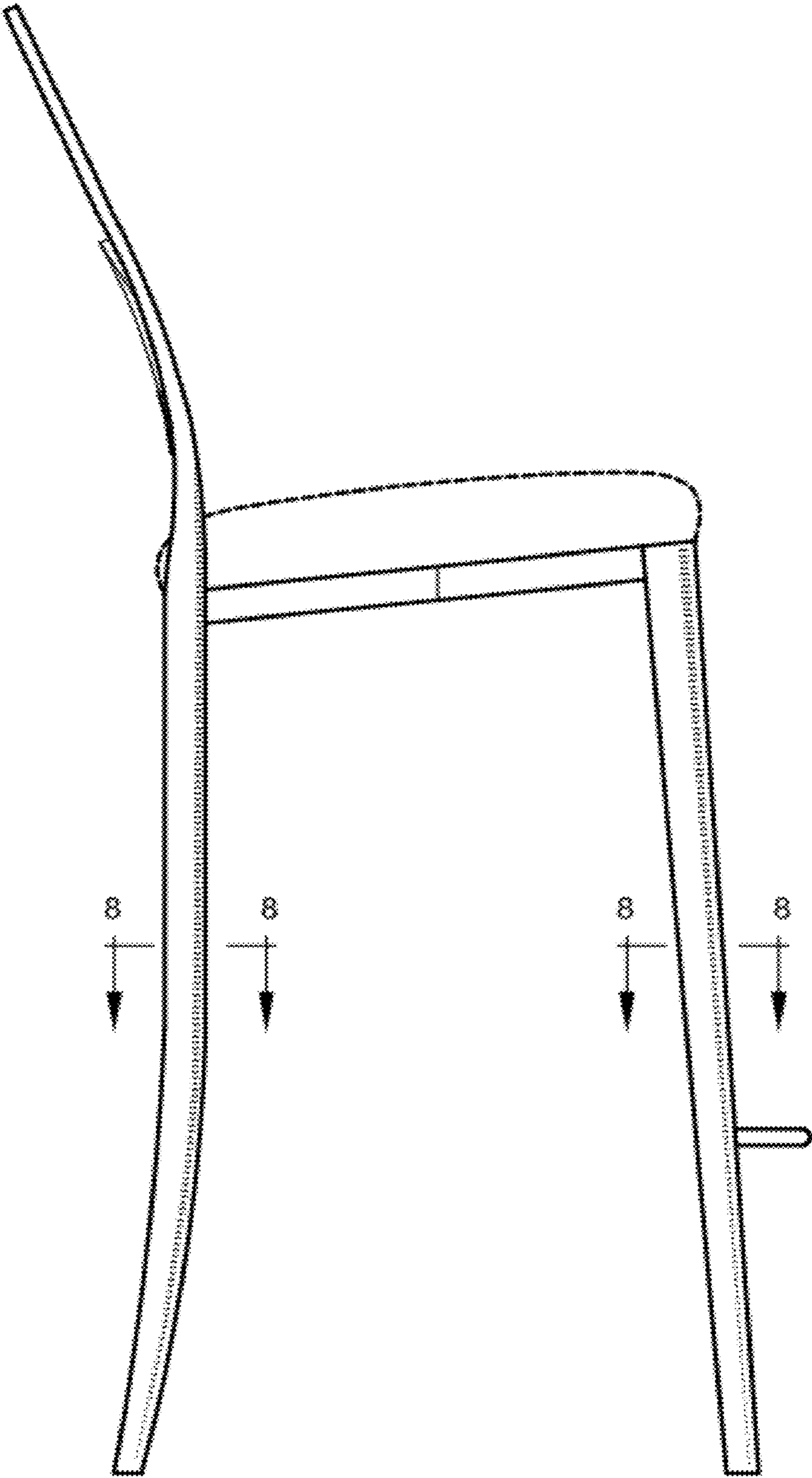


FIG. 3

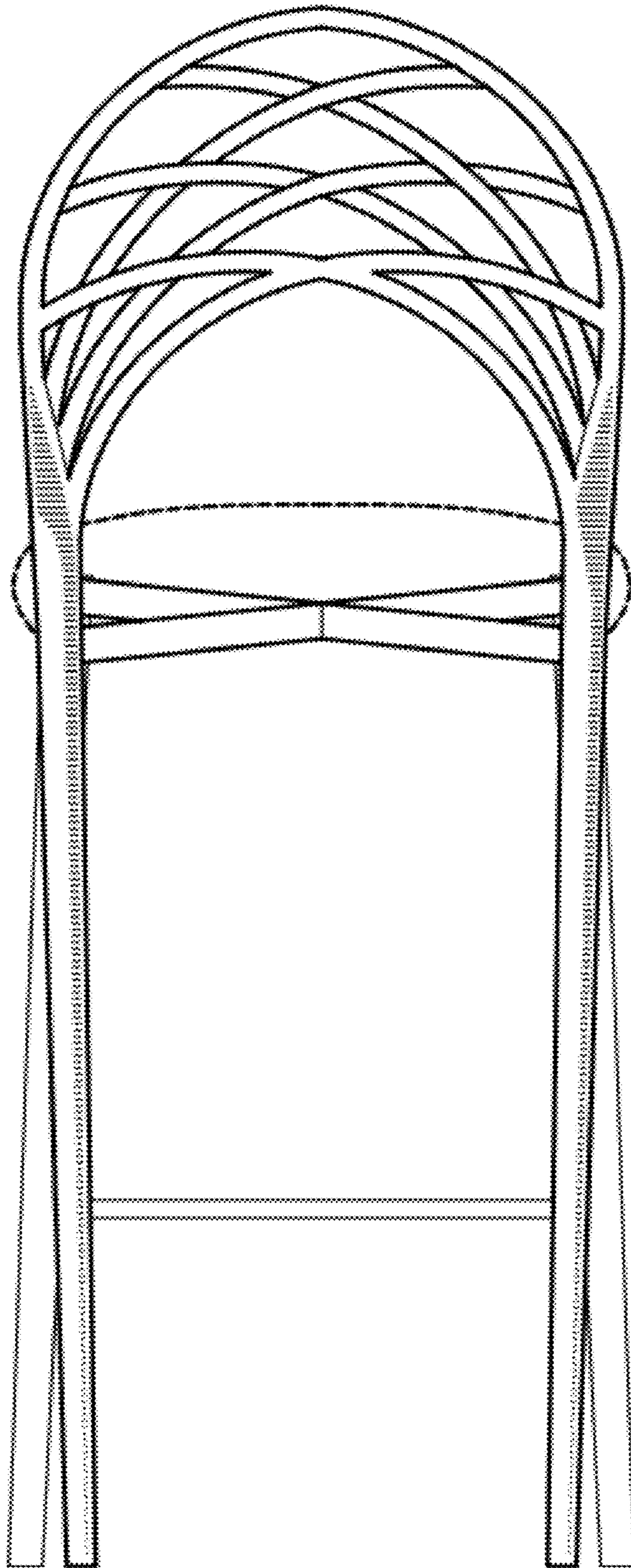


FIG. 4

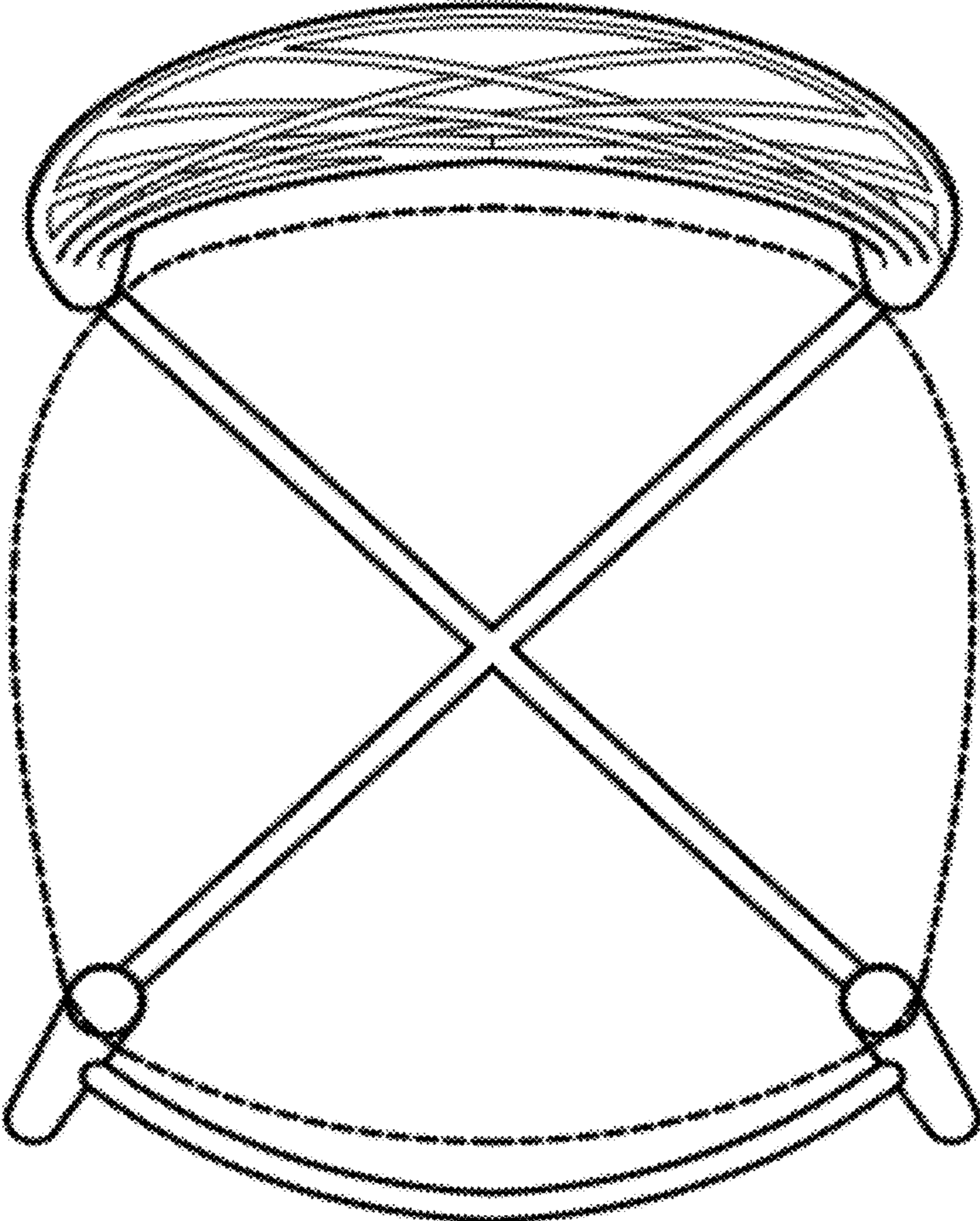


FIG. 5

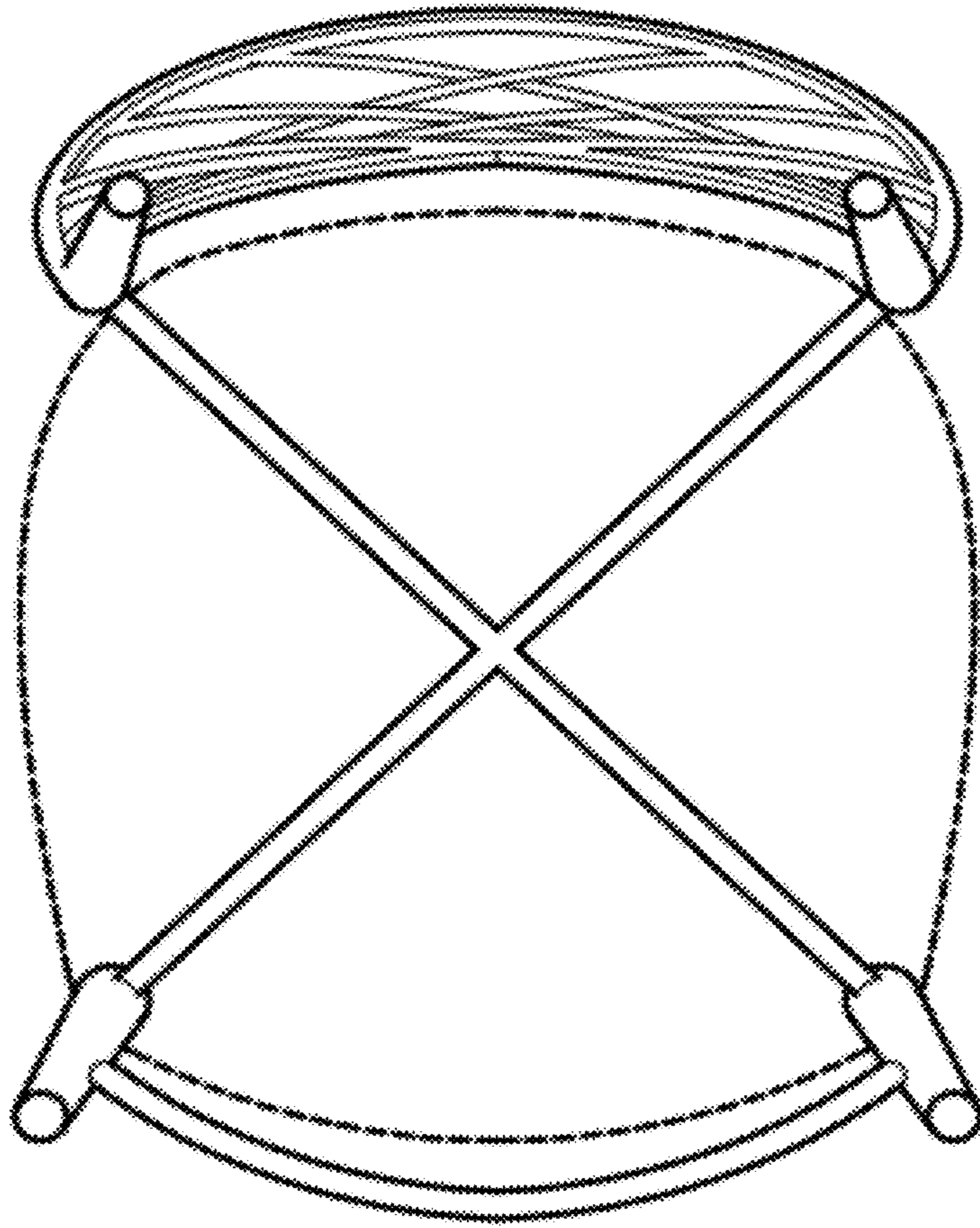


FIG. 6



FIG. 7

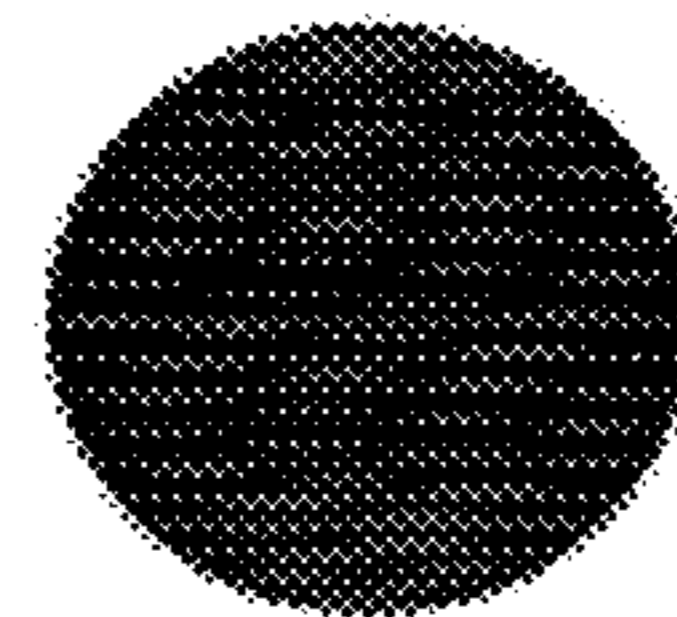


FIG. 8