

US00D667221S

(12) **United States Design Patent**
Fair et al.

(10) **Patent No.:** **US D667,221 S**
(45) **Date of Patent:** **** Sep. 18, 2012**

(54) **PROTECTIVE CASE**
(75) Inventors: **Paul Fair**, Denver, CO (US); **Ryan L. Lee**, Berkeley, CA (US)
(73) Assignee: **Thule Organization Solutions, Inc.**, Longmont, CO (US)

D628,384 S 12/2010 McCarthy
D643,214 S * 8/2011 Weedon et al. D3/276
D643,626 S * 8/2011 Swartz et al. D3/299
D646,061 S * 10/2011 Chang D3/323
D646,892 S 10/2011 Littleton
D652,214 S 1/2012 Swartz et al.
D660,592 S * 5/2012 Mecchella D3/299

(**) Term: **14 Years**
(21) Appl. No.: **29/402,198**
(22) Filed: **Sep. 21, 2011**

(51) **LOC (9) Cl.** **03-01**
(52) **U.S. Cl.** **D3/299**
(58) **Field of Classification Search** D3/273,
D3/276, 280, 283–293, 300, 301, 303, 299;
206/320; 190/100–127, 900–903; 150/106–108,
150/110–112, 118, 127–130; D14/250, 440,
D14/238.1
See application file for complete search history.

OTHER PUBLICATIONS

U.S. Appl. No. 29/423,243, Fair.
Official Action for U.S. Appl. No. 29/402,187, mailed on Jul. 12, 2012, 7 pages.
Notice of Allowance for U.S. Appl. No. 29/402,188, mailed Jul. 13, 2012, 7 pages.
Notice of Allowance for U.S. Appl. No. 29/402,841, mailed Jun. 6, 2012, 7 pages.
Notice of Allowance for U.S. Appl. No. 29/423,243, mailed Jul. 13, 2012, 9 pages.

* cited by examiner

Primary Examiner — Jennifer Rivard
(74) *Attorney, Agent, or Firm* — Sheridan Ross P.C.

(56) **References Cited**

U.S. PATENT DOCUMENTS

D345,647 S 4/1994 Luxon
6,691,843 B2 2/2004 Nykoluk et al.
D497,051 S 10/2004 Nieves
D499,772 S 12/2004 Creech
D500,204 S 12/2004 Hillman
6,896,134 B2 * 5/2005 Russell et al. 206/320
D518,293 S 4/2006 Lam
D529,717 S * 10/2006 Brancky D3/285
D531,409 S * 11/2006 Tullmann et al. D3/299
D568,047 S * 5/2008 Brancky D3/284
D574,615 S * 8/2008 Picot et al. D3/289
D594,659 S * 6/2009 Lown et al. D3/299
D612,606 S 3/2010 Waldeck
D613,054 S 4/2010 Morszeck
D624,318 S * 9/2010 Williams et al. D3/299

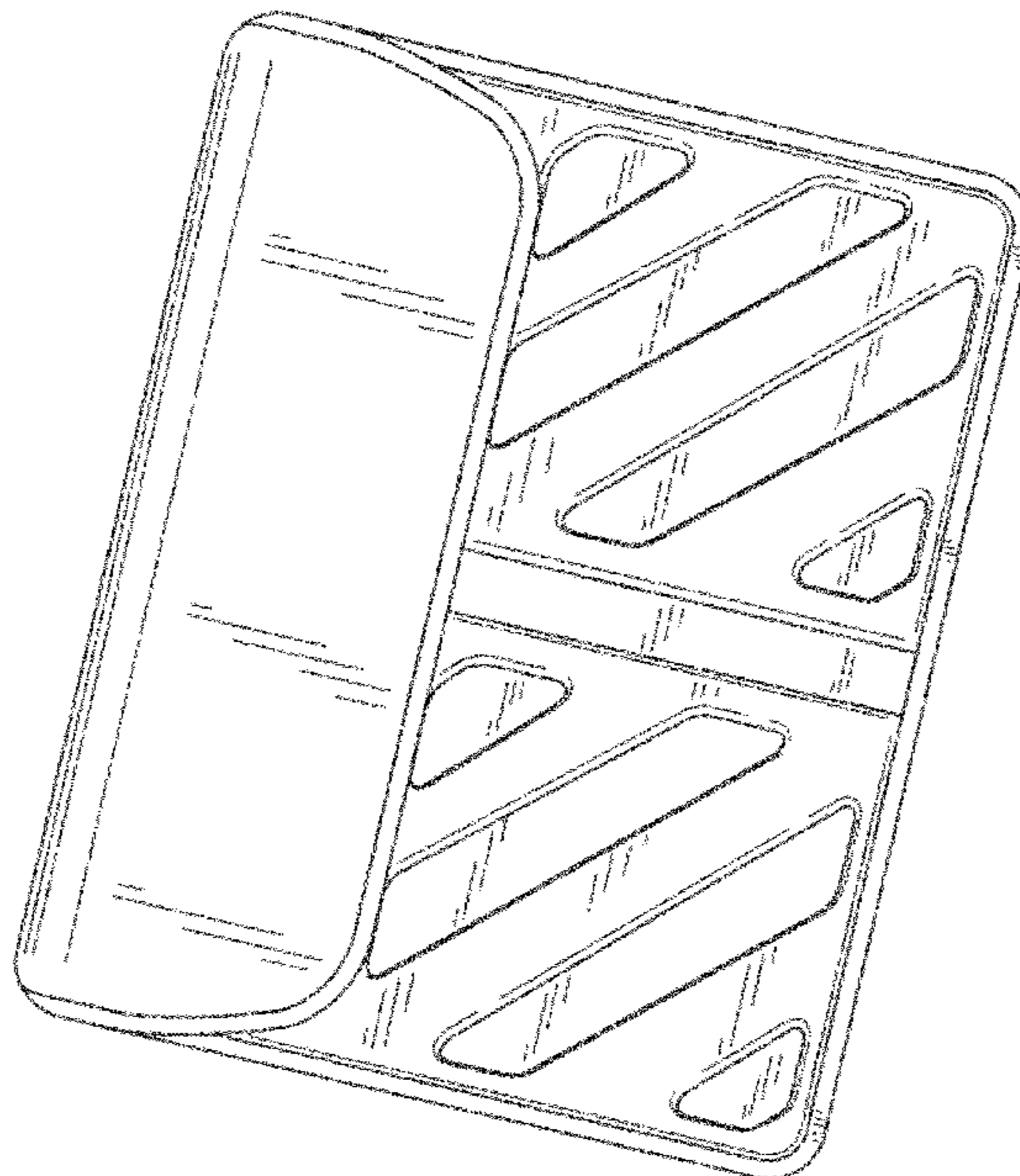
(57) **CLAIM**

The ornamental design for a protective case, as shown and described.

DESCRIPTION

FIG. 1 is a front perspective view of the protective case;
FIG. 2 is a left elevation view thereof;
FIG. 3 is a front elevation view thereof;
FIG. 4 is a right elevation view thereof;
FIG. 5 is a top plan view thereof;
FIG. 6 is a bottom plan view thereof; and,
FIG. 7 is a rear elevation view thereof.

1 Claim, 3 Drawing Sheets



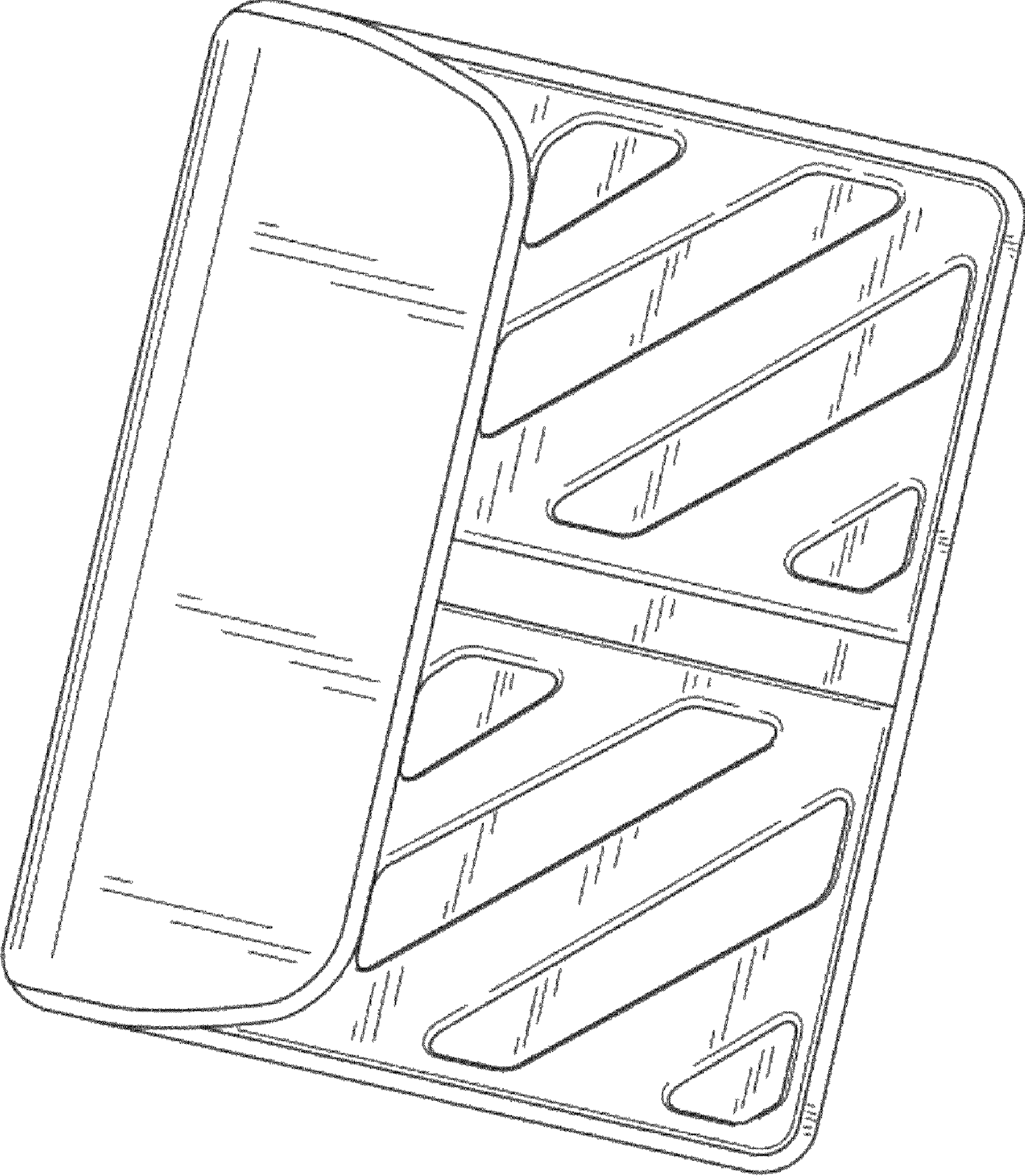


FIG. 1



FIG. 5



FIG. 2

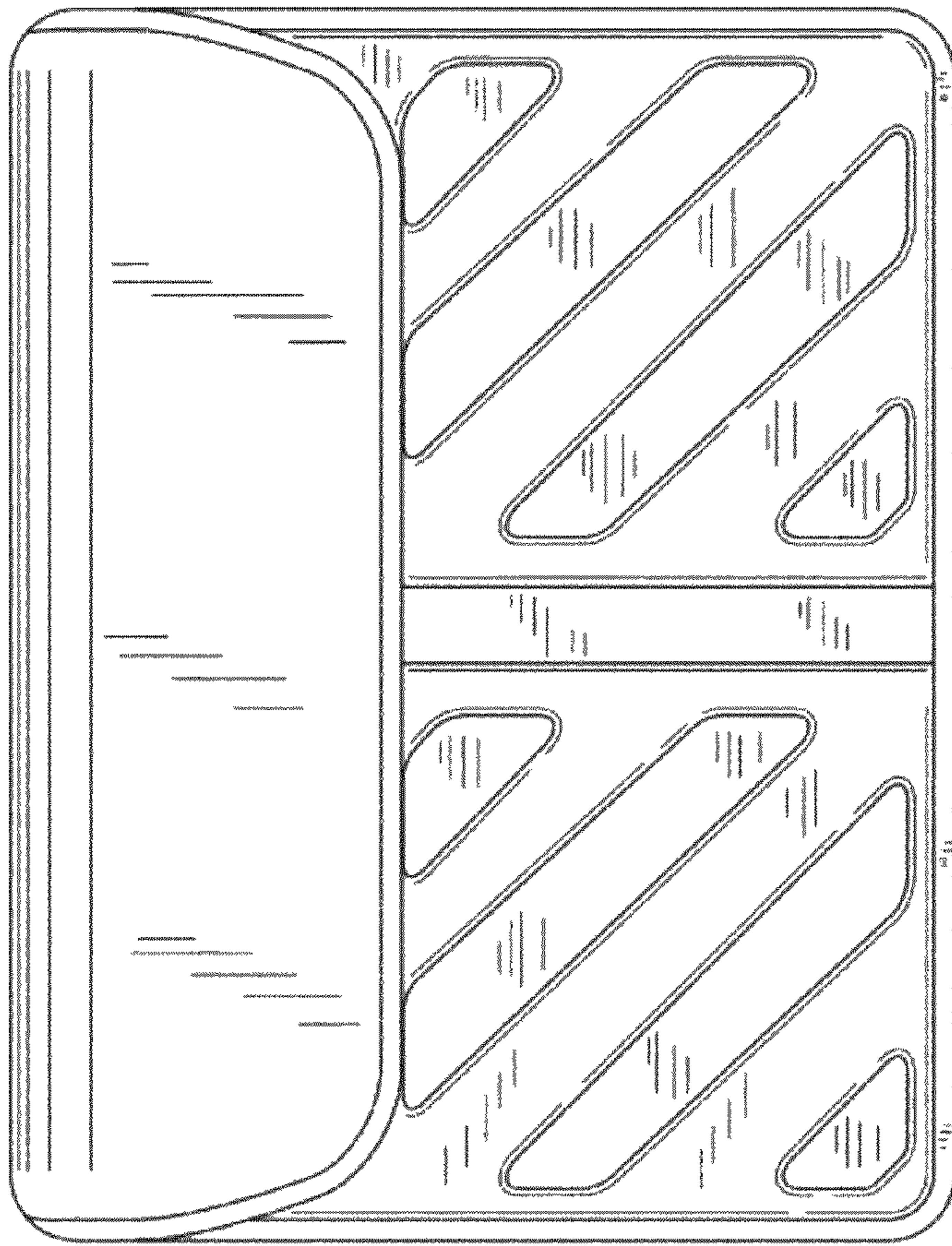


FIG. 3

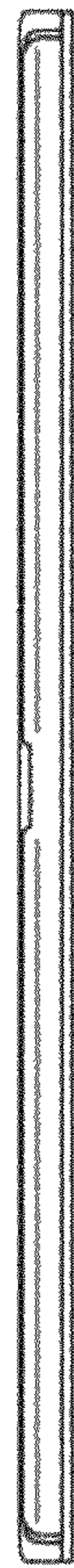


FIG. 4

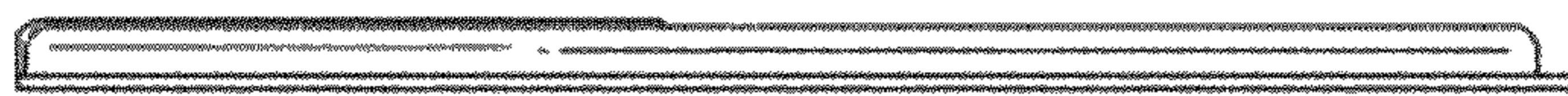


FIG. 6

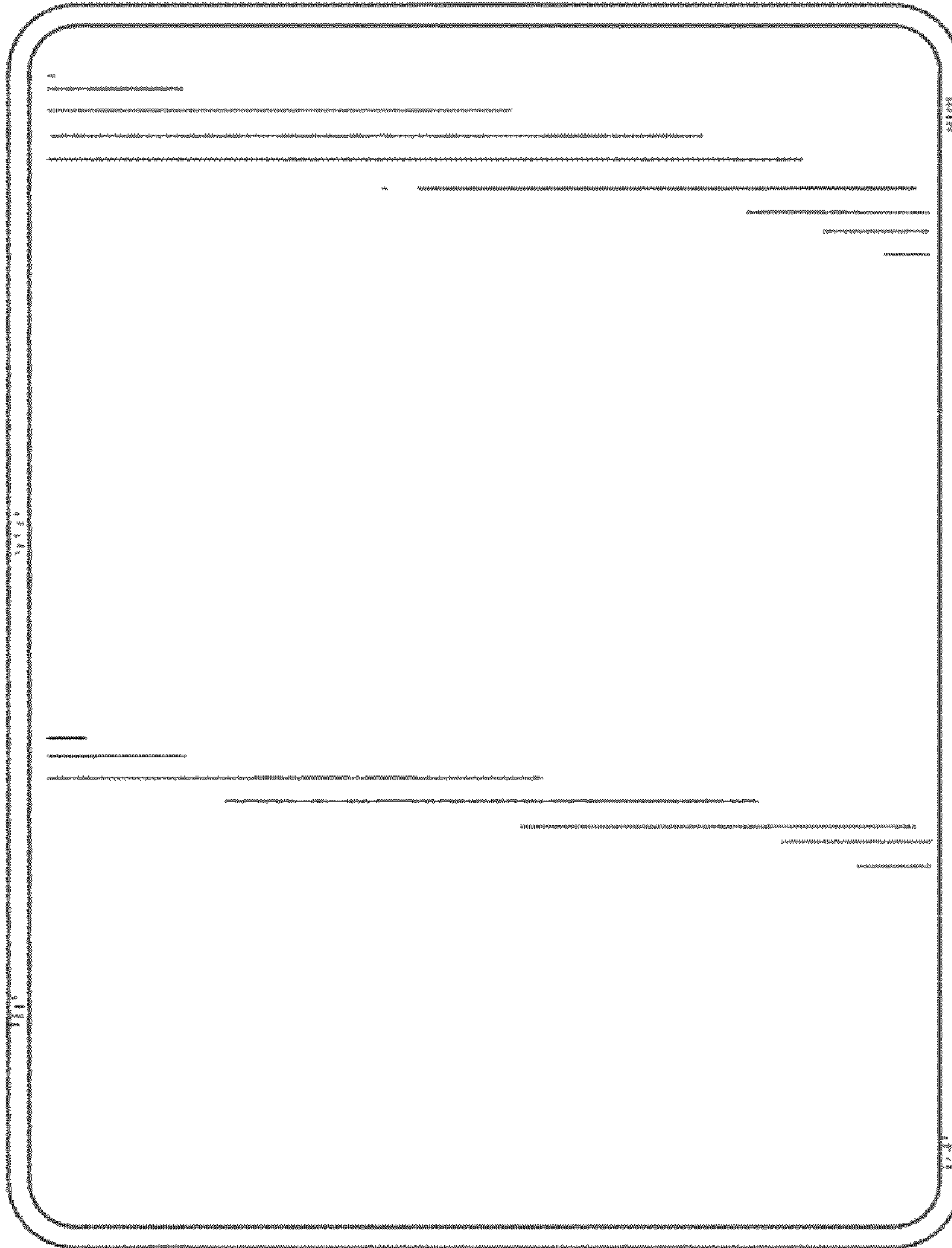


FIG. 7