



US00D667220S

(12) **United States Design Patent**
Fair

(10) **Patent No.:** **US D667,220 S**

(45) **Date of Patent:** **** Sep. 18, 2012**

(54) **CASE FOR AN ELECTRONIC DEVICE**

(75) Inventor: **Paul Fair**, Denver, CO (US)

(73) Assignee: **Thule Organization Solutions, Inc.**,
Longmont, CO (US)

(**) Term: **14 Years**

(21) Appl. No.: **29/402,188**

(22) Filed: **Sep. 21, 2011**

(51) **LOC (9) Cl.** **03-01**

(52) **U.S. Cl.** **D3/299; D3/300**

(58) **Field of Classification Search** D3/273,
D3/276, 280, 283-293, 300, 301, 303, 299;
206/320; 190/100-127, 900-903; 150/106-108,
150/110-112, 118, 127-130; D14/250, 440,
D14/238.1

See application file for complete search history.

(56) **References Cited**

U.S. PATENT DOCUMENTS

D345,647 S *	4/1994	Luxon	D3/218
6,691,843 B2 *	2/2004	Nykoluk et al.	190/127
D497,051 S	10/2004	Nieves		
D499,772 S	12/2004	Creech		
D500,204 S	12/2004	Hillman		
6,896,134 B2 *	5/2005	Russell et al.	206/320
D518,293 S	4/2006	Lam		
D529,717 S *	10/2006	Brancky	D3/285
D531,409 S	11/2006	Tullmann et al.		
D568,047 S *	5/2008	Brancky	D3/284
D574,615 S *	8/2008	Picot et al.	D3/289
D594,659 S	6/2009	Lown et al.		
D612,606 S *	3/2010	Waldeck	D3/303
D613,054 S	4/2010	Morszeck		
D624,318 S	9/2010	Williams et al.		
D628,384 S	12/2010	McCarthy		

D643,214 S *	8/2011	Weedon et al.	D3/276
D643,626 S	8/2011	Swartz et al.		
D646,061 S *	10/2011	Chang	D3/323
D646,892 S *	10/2011	Littleton	D3/299
D652,214 S	1/2012	Swartz et al.		
D660,592 S	5/2012	Mecchella		

OTHER PUBLICATIONS

U.S. Appl. No. 29/423,243, Fair.
Official Action for U.S. Appl. No. 29/402,187, mailed on Jul. 12, 2012 7 pages.
Notice of Allowance for U.S. Appl. No. 29/402,198, mailed Jul. 13, 2012, 8 pages.
Notice of Allowance for U.S. Appl. No. 29/402,841, mailed Jun. 6, 2012, 7 pages.
Notice of Allowance for U.S. Appl. No. 29/423,243, mailed Jul. 13, 2012, 9 pages.

* cited by examiner

Primary Examiner — Jennifer Rivard

(74) *Attorney, Agent, or Firm* — Sheridan Ross P.C

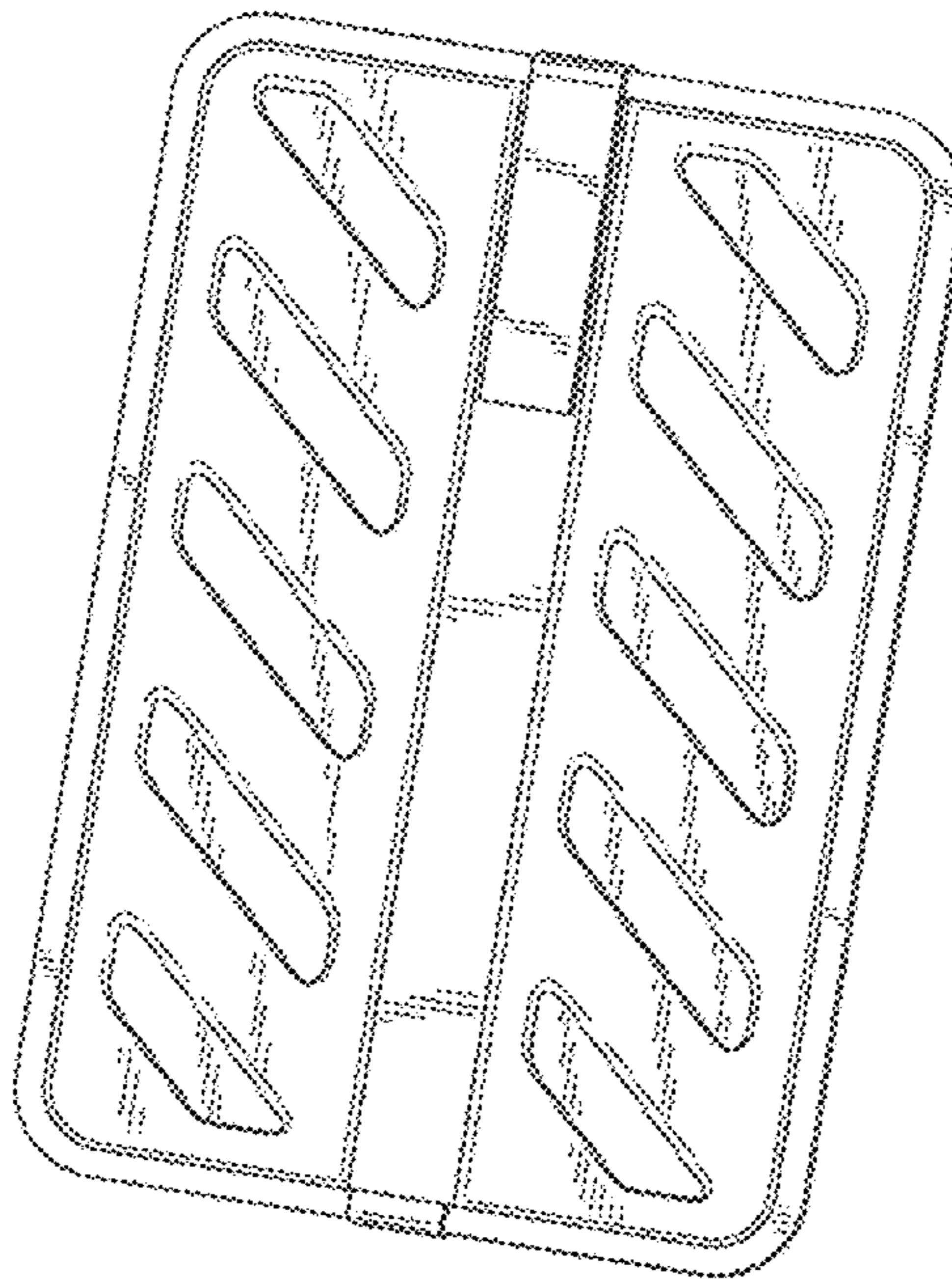
(57) **CLAIM**

The ornamental design for a case for an electronic device, as shown and described.

DESCRIPTION

FIG. 1 is a front perspective view of the case for an electronic device;
FIG. 2 is a left elevation view thereof;
FIG. 3 is a front elevation view thereof;
FIG. 4 is a right elevation view thereof;
FIG. 5 is a top plan view thereof;
FIG. 6 is a bottom plan view thereof; and,
FIG. 7 is a rear elevation view thereof.

1 Claim, 3 Drawing Sheets



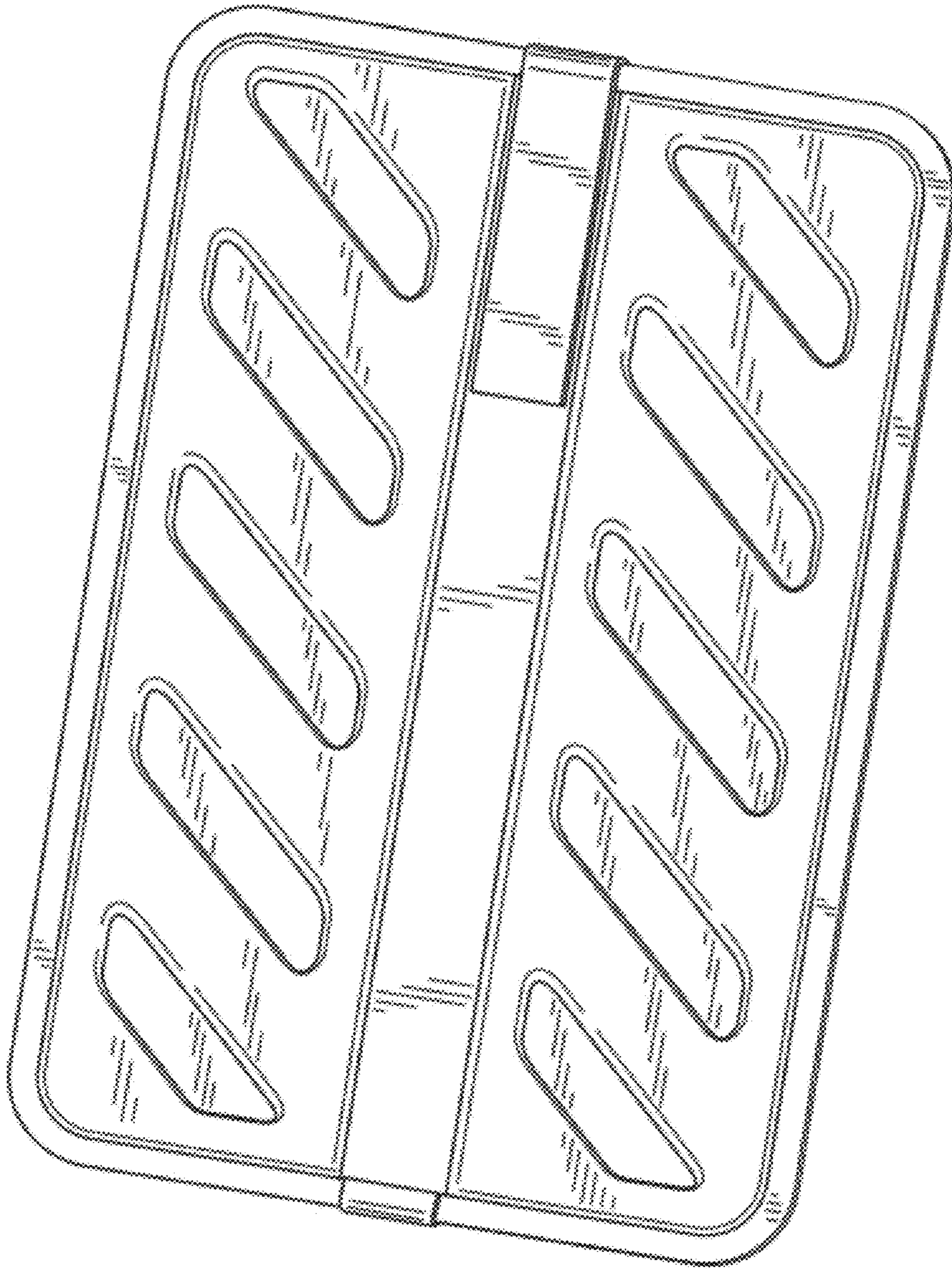


FIG. 1

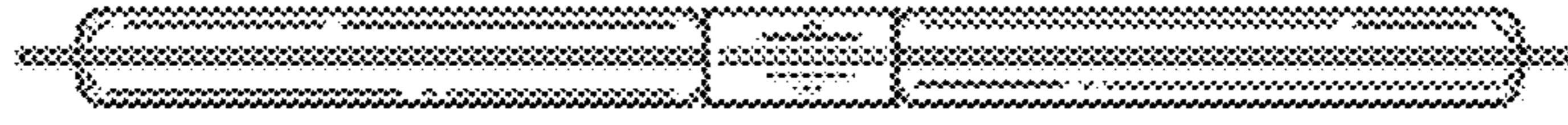


FIG. 5

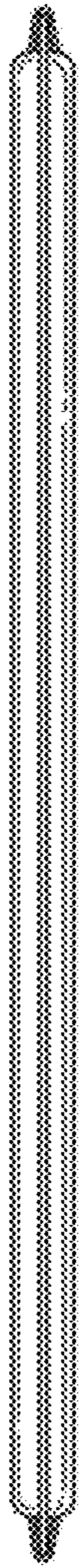


FIG. 2

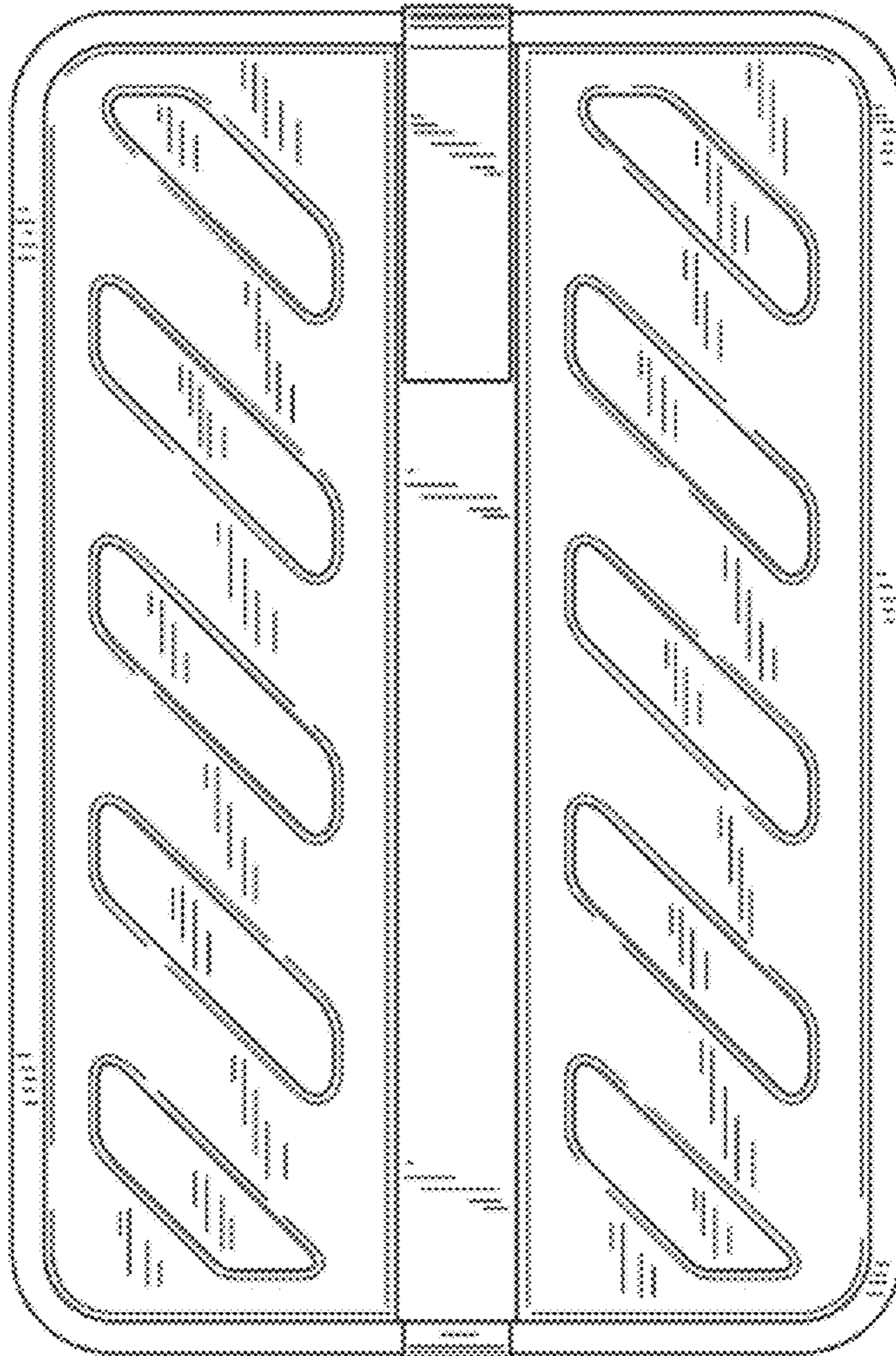


FIG. 3

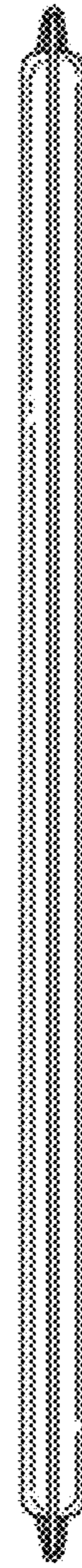


FIG. 4

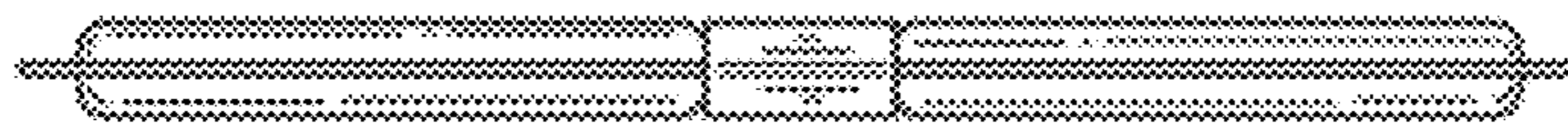


FIG. 6

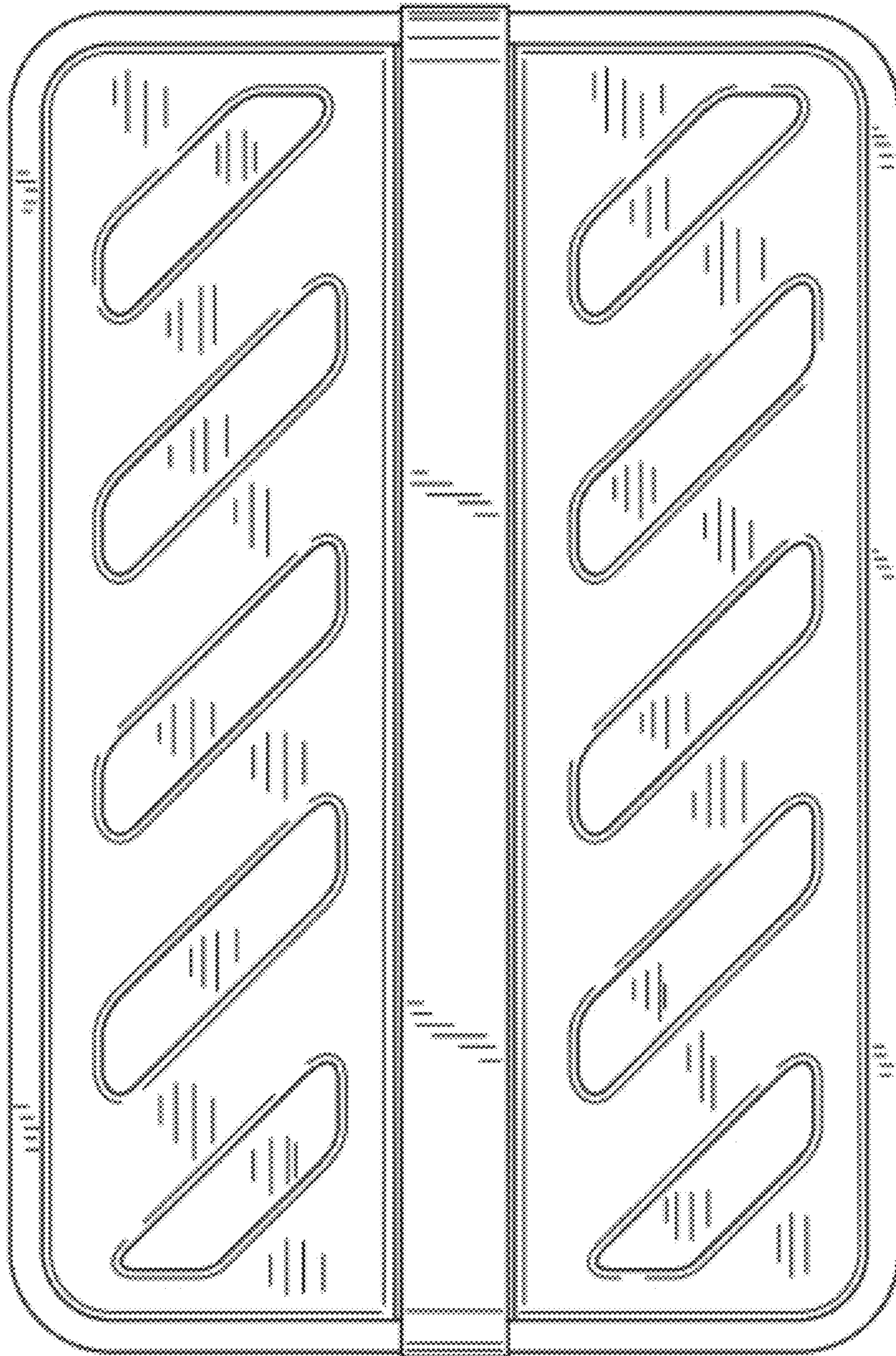


FIG. 7