



US00D667218S

(12) **United States Design Patent**  
**Douglas**

(10) **Patent No.:** **US D667,218 S**

(45) **Date of Patent:** **\*\* Sep. 18, 2012**

(54) **DUFFEL BAG**

(75) **Inventor:** **Katherine Douglas, Vancouver (CA)**

(73) **Assignee:** **Lululemon Athletica Canada Inc.,  
Vancouver (CA)**

(\*\*) **Term:** **14 Years**

(21) **Appl. No.:** **29/396,461**

(22) **Filed:** **Jun. 30, 2011**

(51) **LOC (9) Cl.** ..... **03-01**

(52) **U.S. Cl.** ..... **D3/283; D3/289**

(58) **Field of Classification Search** ..... **D3/273,  
D3/276, 280, 283-293, 301, 300, 294; 190/100-127,  
190/900-903, 1, 11; 150/106, 107, 108,  
150/110, 111, 112, 118; 206/320, 305; 383/4**  
See application file for complete search history.

(56) **References Cited**

**U.S. PATENT DOCUMENTS**

D269,739 S \* 7/1983 Stark ..... D3/283  
D269,740 S \* 7/1983 Stark ..... D3/287  
D270,112 S \* 8/1983 Stark ..... D3/286

D371,907 S \* 7/1996 Cyr et al. .... D3/287  
D396,144 S \* 7/1998 Farmer ..... D3/287  
D397,249 S \* 8/1998 Akutsu ..... D3/290  
7,293,635 B2 \* 11/2007 Repke et al. .... 190/109  
D596,398 S \* 7/2009 Chu et al. .... D3/290  
D646,058 S \* 10/2011 Brusa ..... D3/287  
2011/0192688 A1 \* 8/2011 Mangano ..... 190/103

\* cited by examiner

*Primary Examiner* — Jennifer Rivard

(57) **CLAIM**

The ornamental design for a duffel bag, as shown and described.

**DESCRIPTION**

FIG. 1 is a front view of a duffel bag according to the design;  
FIG. 2 is a rear view thereof;  
FIG. 3 is a left side view thereof;  
FIG. 4 is a right side view thereof;  
FIG. 5 is a bottom view thereof;  
FIG. 6 is a top view thereof; and,  
FIG. 7 is a front perspective view thereof.  
The broken lines that are shown in FIGS. 1-7 represent stitching which forms part of the claimed design.

**1 Claim, 7 Drawing Sheets**



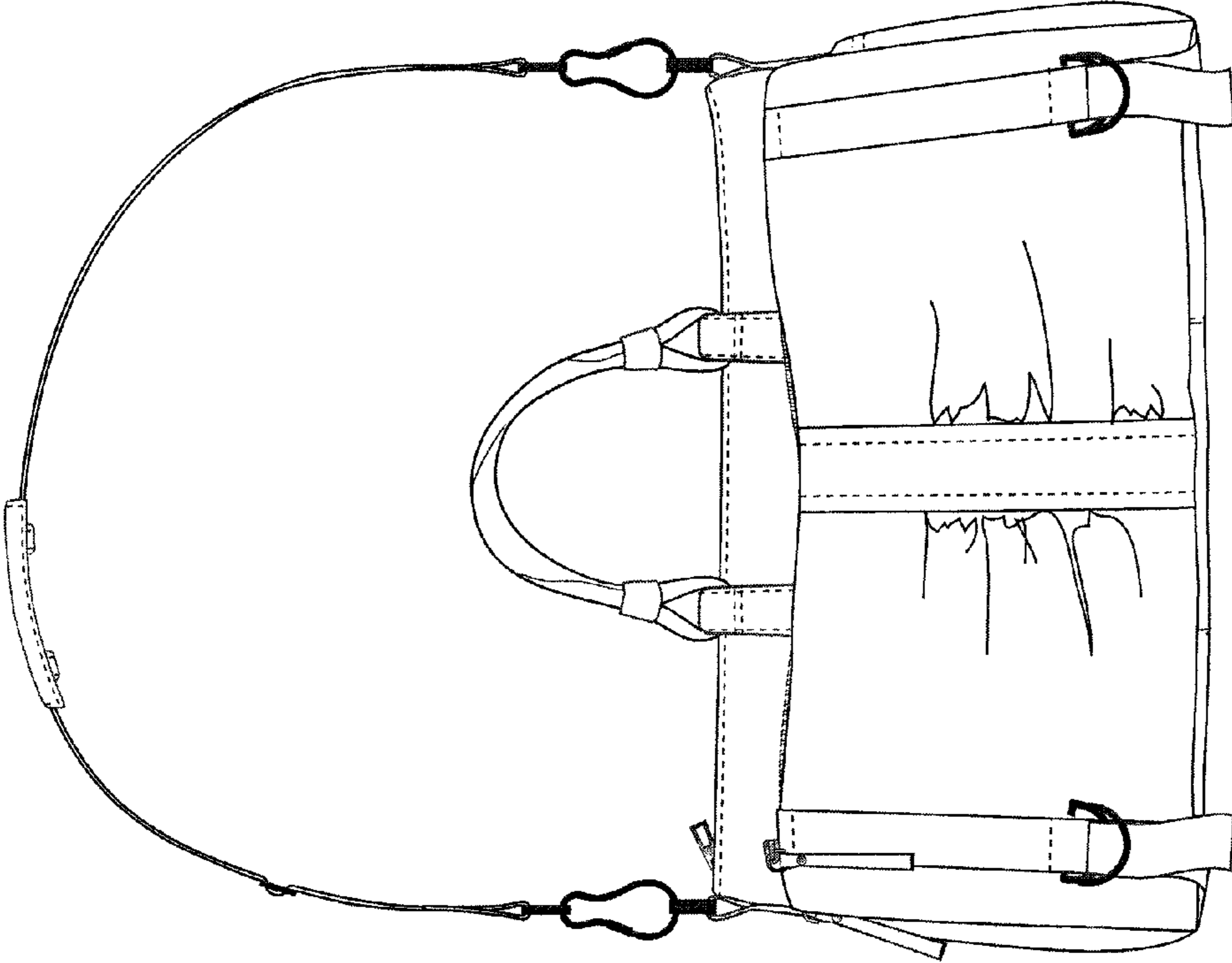


Fig. 1

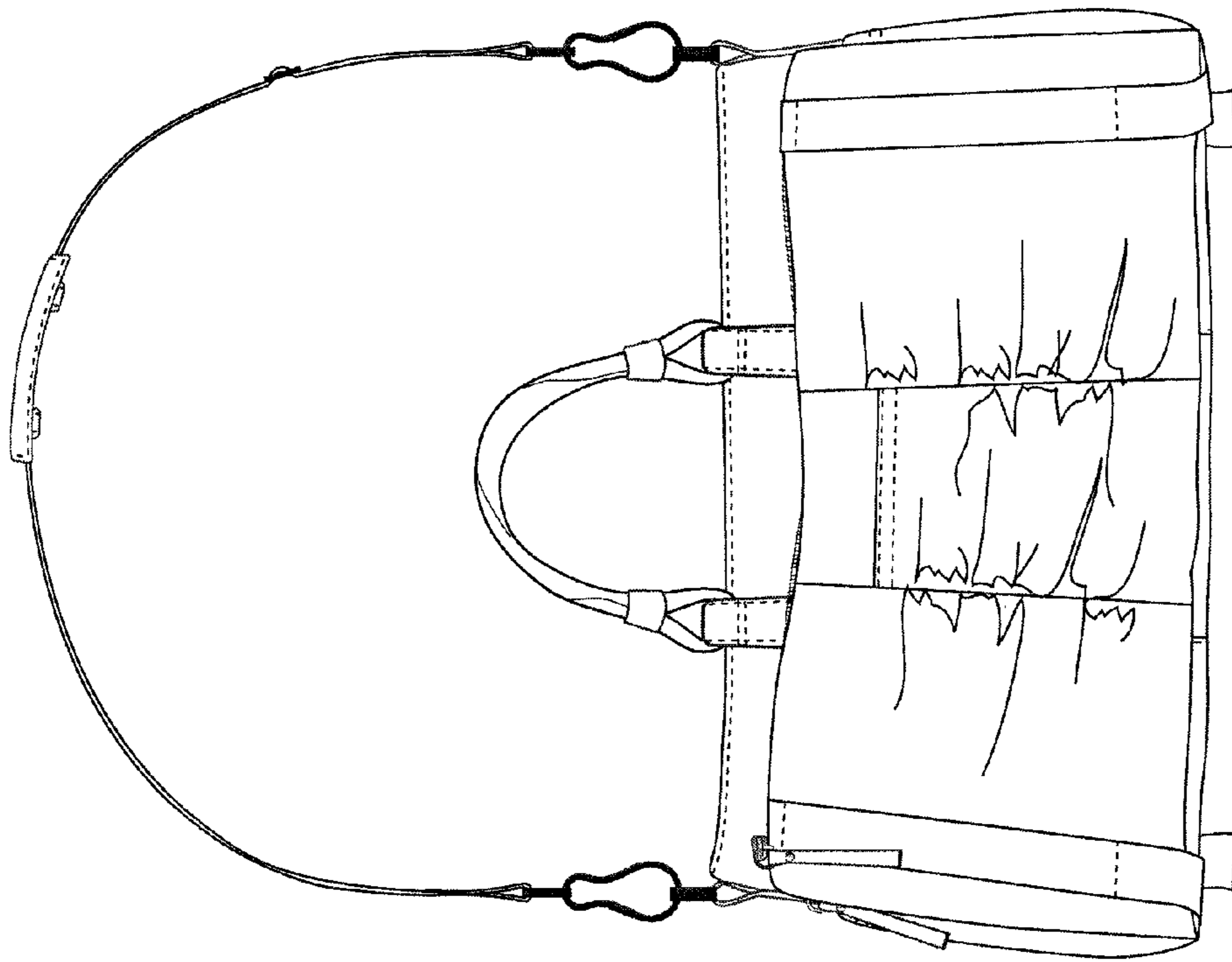


Fig. 2

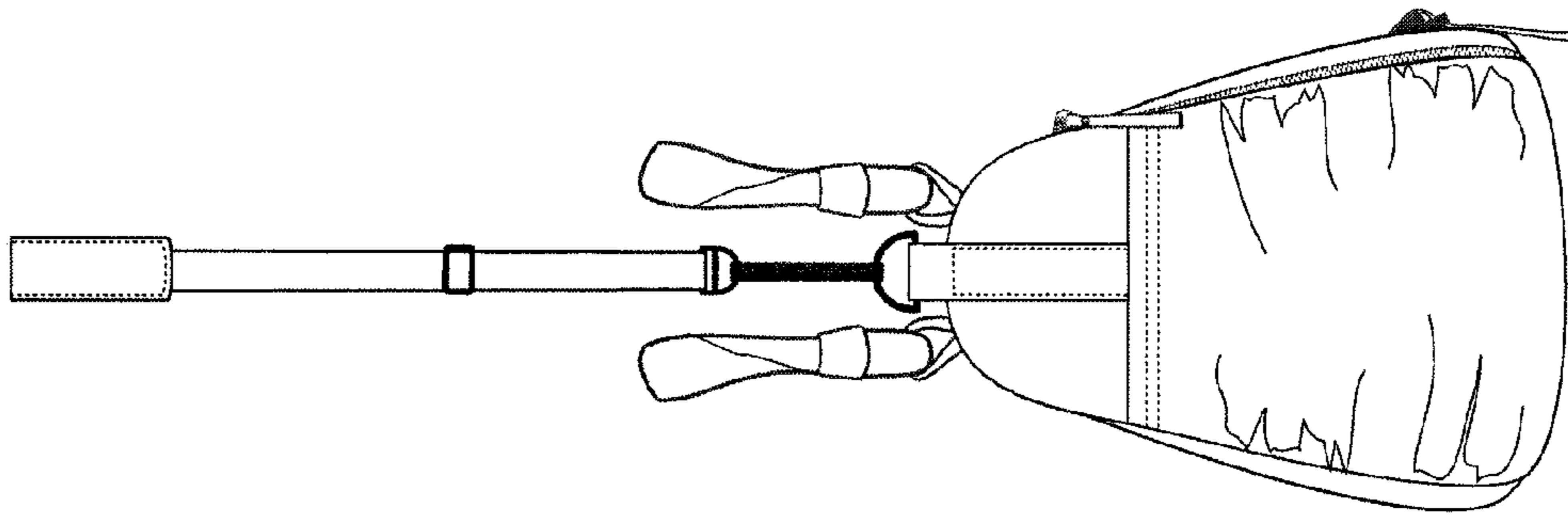


Fig. 3

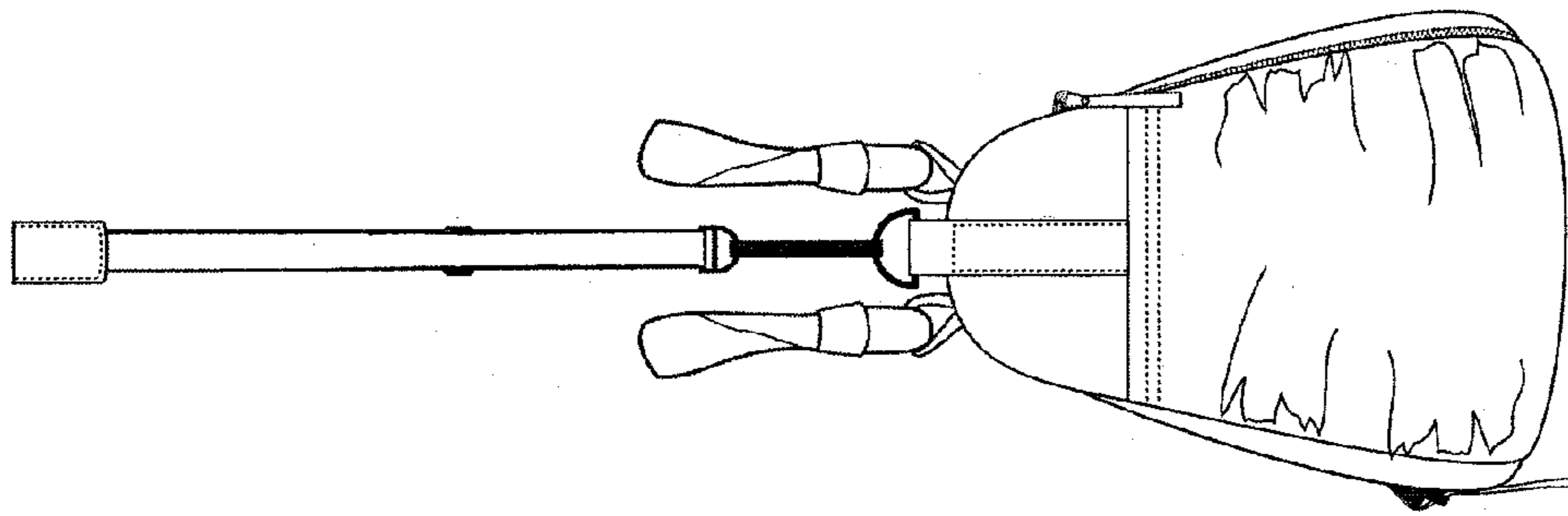


Fig. 4

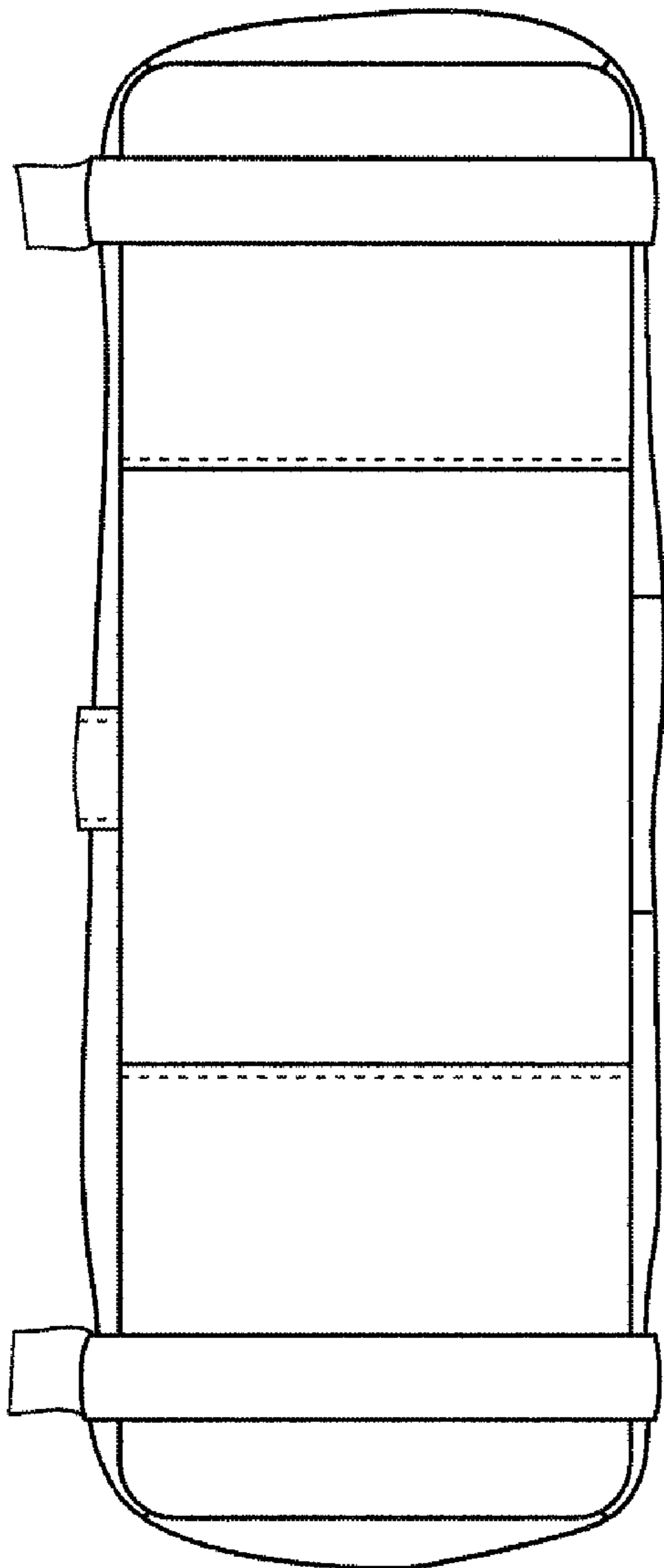


Fig. 5

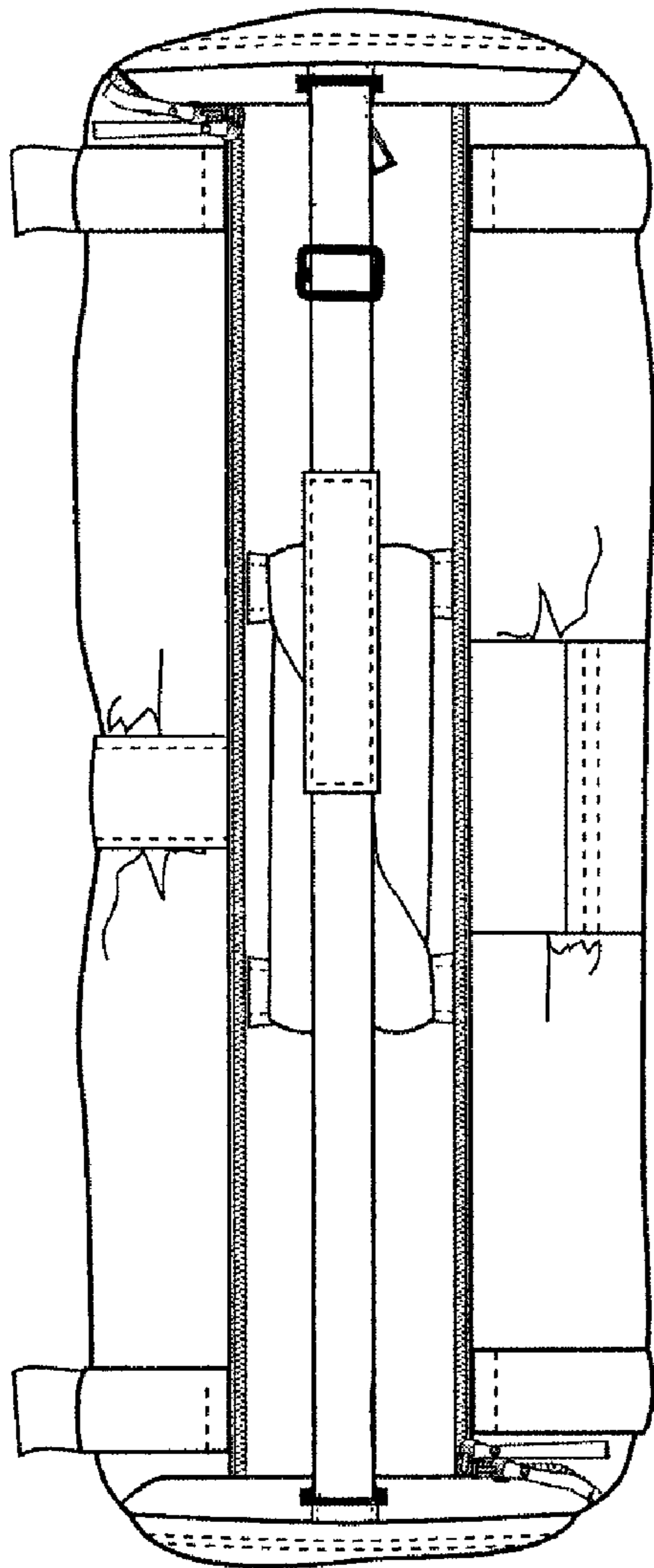


Fig. 6



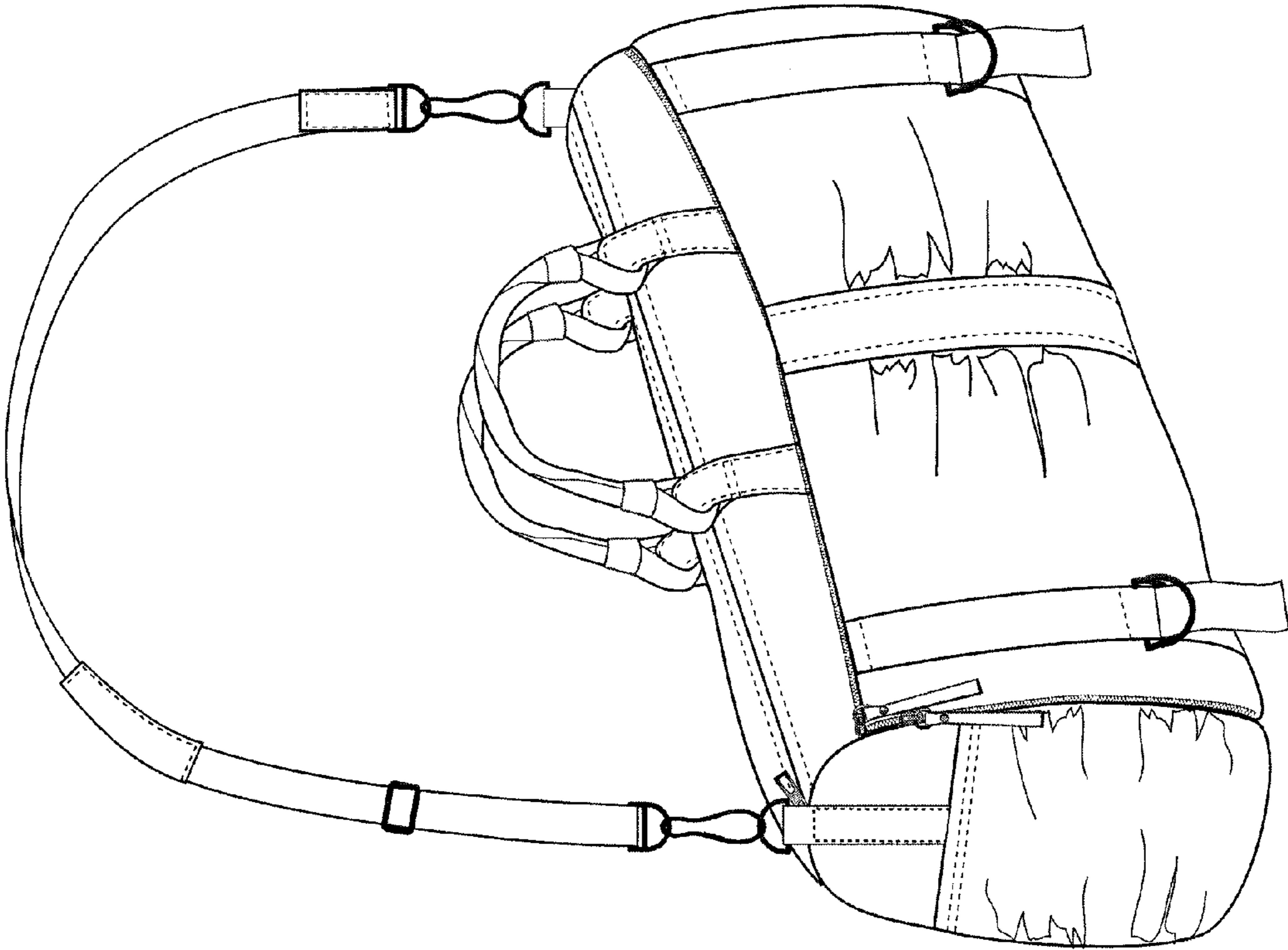


Fig. 7