



US00D667215S

(12) **United States Design Patent**  
**DeGrouchy**

(10) **Patent No.:** **US D667,215 S**  
(45) **Date of Patent:** **\*\* Sep. 18, 2012**

(54) **HANDS FREE BEVERAGE AND KEY RING HOLDER**

(76) Inventor: **Carla DeGrouchy**, Bowie, MD (US)

(\*\*) Term: **14 Years**

(21) Appl. No.: **29/372,690**

(22) Filed: **Dec. 27, 2010**

(51) **LOC (9) Cl.** ..... **03-01**

(52) **U.S. Cl.** ..... **D3/215; D3/208; D7/620; D9/434**

(58) **Field of Classification Search** ..... D7/619.1,  
D7/620, 622; D3/207, 208, 215; D9/434,  
D9/455, 446; D8/356; 224/250, 572, 222,  
224/148.6; 24/3.6, 3.11, 3.13; 220/758;  
40/310

See application file for complete search history.

(56) **References Cited**

**U.S. PATENT DOCUMENTS**

1,490,871	A *	4/1924	Wagner	24/3.13
2,781,959	A *	2/1957	Loveland	224/572
2,858,733	A *	11/1958	Lodewick et al.	351/157
3,086,268	A *	4/1963	Chaffin, Jr.	24/303
3,389,822	A *	6/1968	Hoffman	215/12.2
D228,887	S *	10/1973	Gedell	D9/439
4,448,316	A *	5/1984	Hiroshige	215/388
5,163,206	A *	11/1992	Hernandez	24/299
5,220,319	A *	6/1993	Kendel	340/12.5
5,664,712	A *	9/1997	Smrt	224/250
D385,415	S *	10/1997	Turbide	D3/207
D402,104	S *	12/1998	Kauker et al.	D3/215
D409,830	S *	5/1999	Stafford	D3/208
D412,938	S *	8/1999	Kesselring et al.	D20/28
6,050,119	A *	4/2000	Potts	70/456 R
D441,652	S *	5/2001	Valentine, Jr.	D9/434
D491,465	S *	6/2004	Kelleghan	D9/434
D501,625	S *	2/2005	Biggerstaff	D7/396.2
D506,056	S *	6/2005	Burns	D3/207
D521,726	S *	5/2006	Tarantino	D3/218
D605,507	S *	12/2009	Wolfe	D9/434

D636,174	S *	4/2011	Smith	D3/207
D652,205	S *	1/2012	Averahami	D3/207
D655,080	S *	3/2012	Burrows	D3/215
D657,134	S *	4/2012	Tepper	D3/215
2003/0111496	A1 *	6/2003	Abbott	224/148.6
2003/0226298	A1 *	12/2003	Bjork	40/310
2004/0107611	A1 *	6/2004	Kohutiak	40/324
2005/0138854	A1 *	6/2005	Simmons	40/665
2005/0173477	A1 *	8/2005	Scott	224/148.6
2006/0207132	A1 *	9/2006	Vaughan et al.	40/310
2008/0296325	A1 *	12/2008	Tepper	224/148.6
2009/0158899	A1 *	6/2009	Eisenbraun	81/3.09

**OTHER PUBLICATIONS**

Wrap-a-Bottle Cat and Large Bottle Cat, no dates given, EK USA store, [online], [site visited May 31, 2012]. Available from Internet, <URL: [http://store.ekusa.com/index.php?main\\_page=index&cPath=2\\_14](http://store.ekusa.com/index.php?main_page=index&cPath=2_14)>.\*

Silver Tone Mini Alluminum Carabiner Bottle Flask Keychain telephone, product added Jan 6, 2009, Sourcingmap.com © 2012 SourcingMap [online], [site visited May 31, 2012]. Available from Internet, <URL: <http://www.sourcingmap.com/golden-aluminium-carabiner-with-mini-bottle-flask-keychain-p-28244.html>>.\*

\* cited by examiner

*Primary Examiner* — Jeffrey D Asch

(74) *Attorney, Agent, or Firm* — Harpman & Harpman

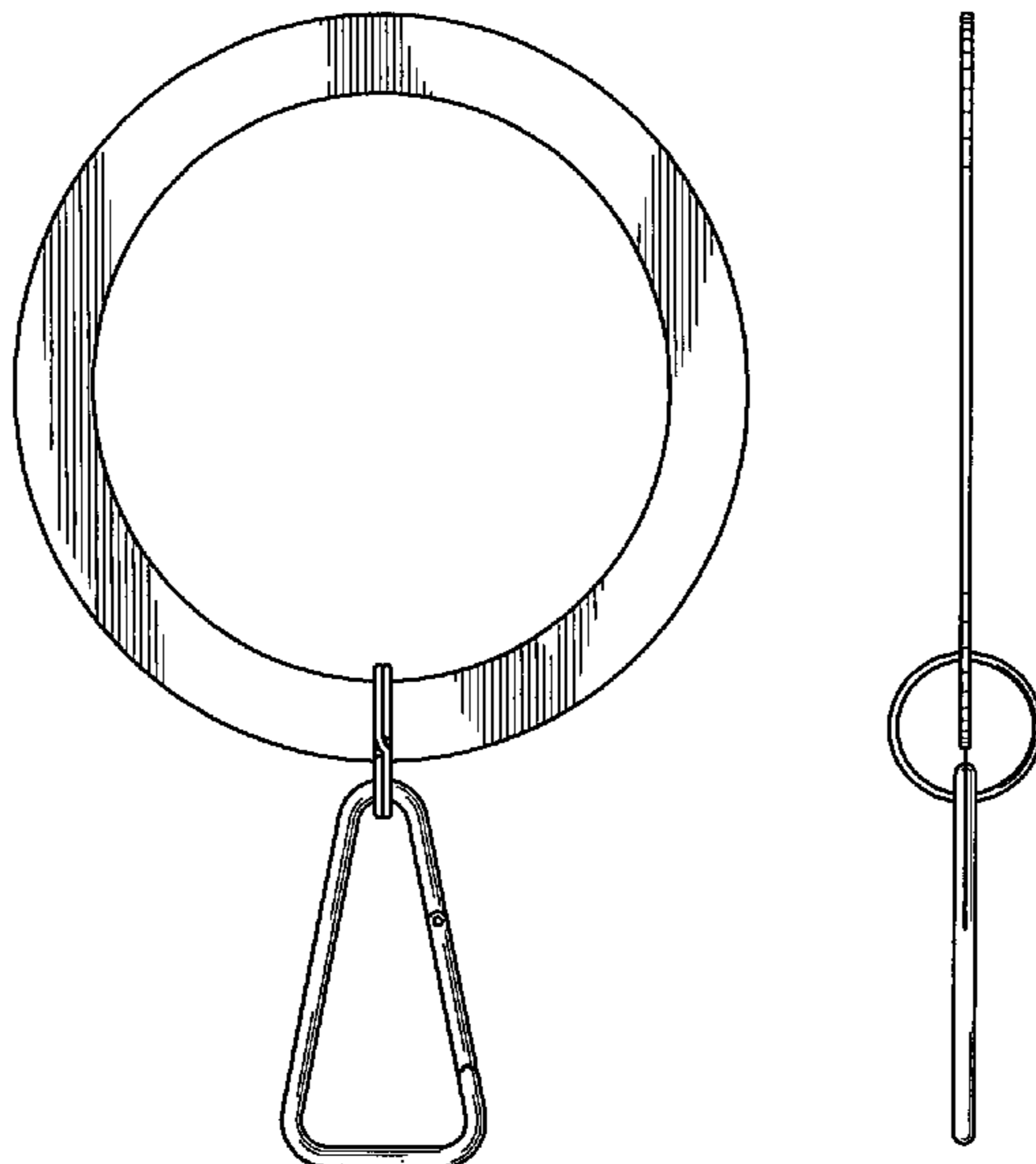
(57) **CLAIM**

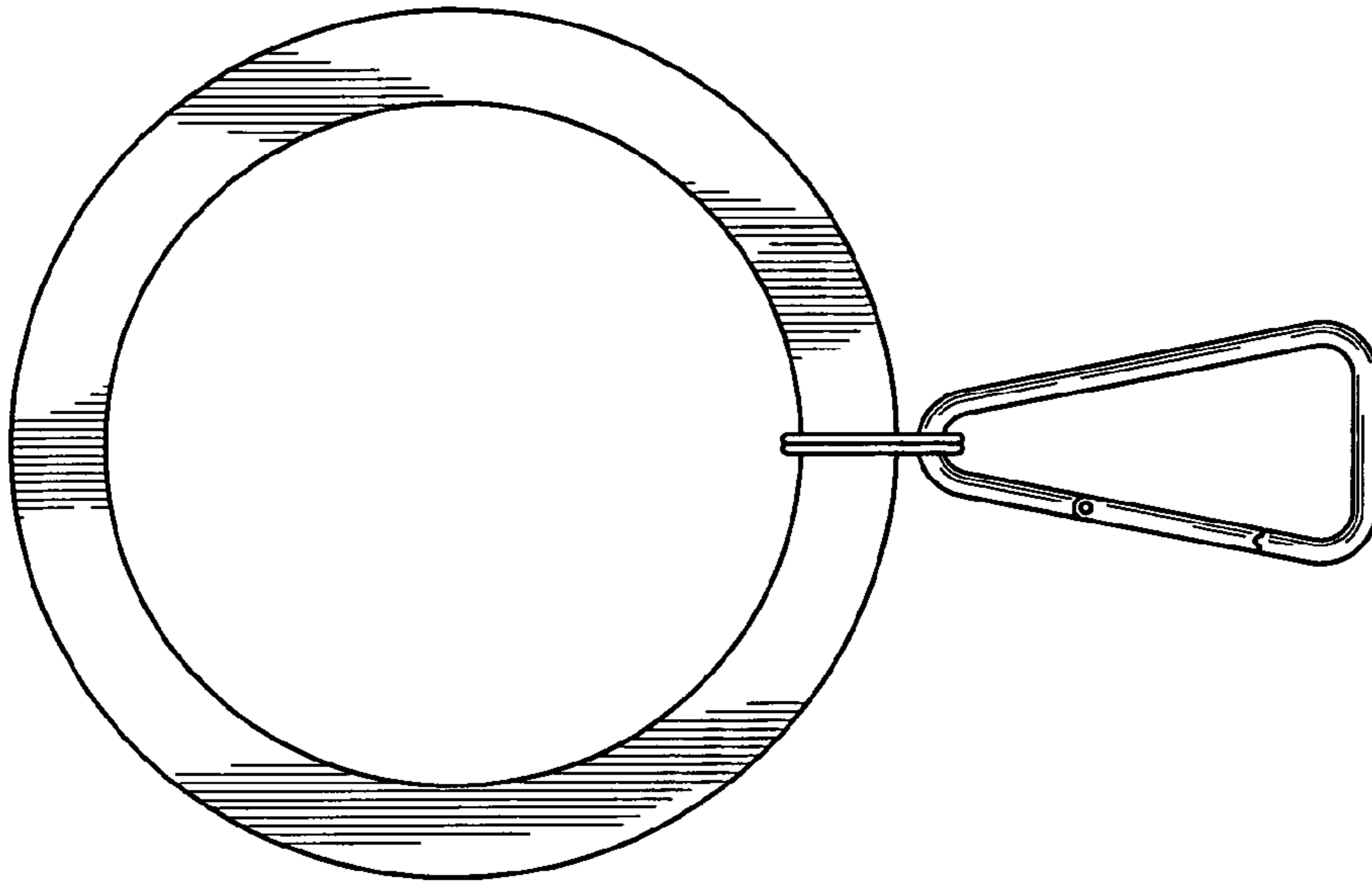
The ornamental design for a hands free beverage and key ring holder, as shown and described.

**DESCRIPTION**

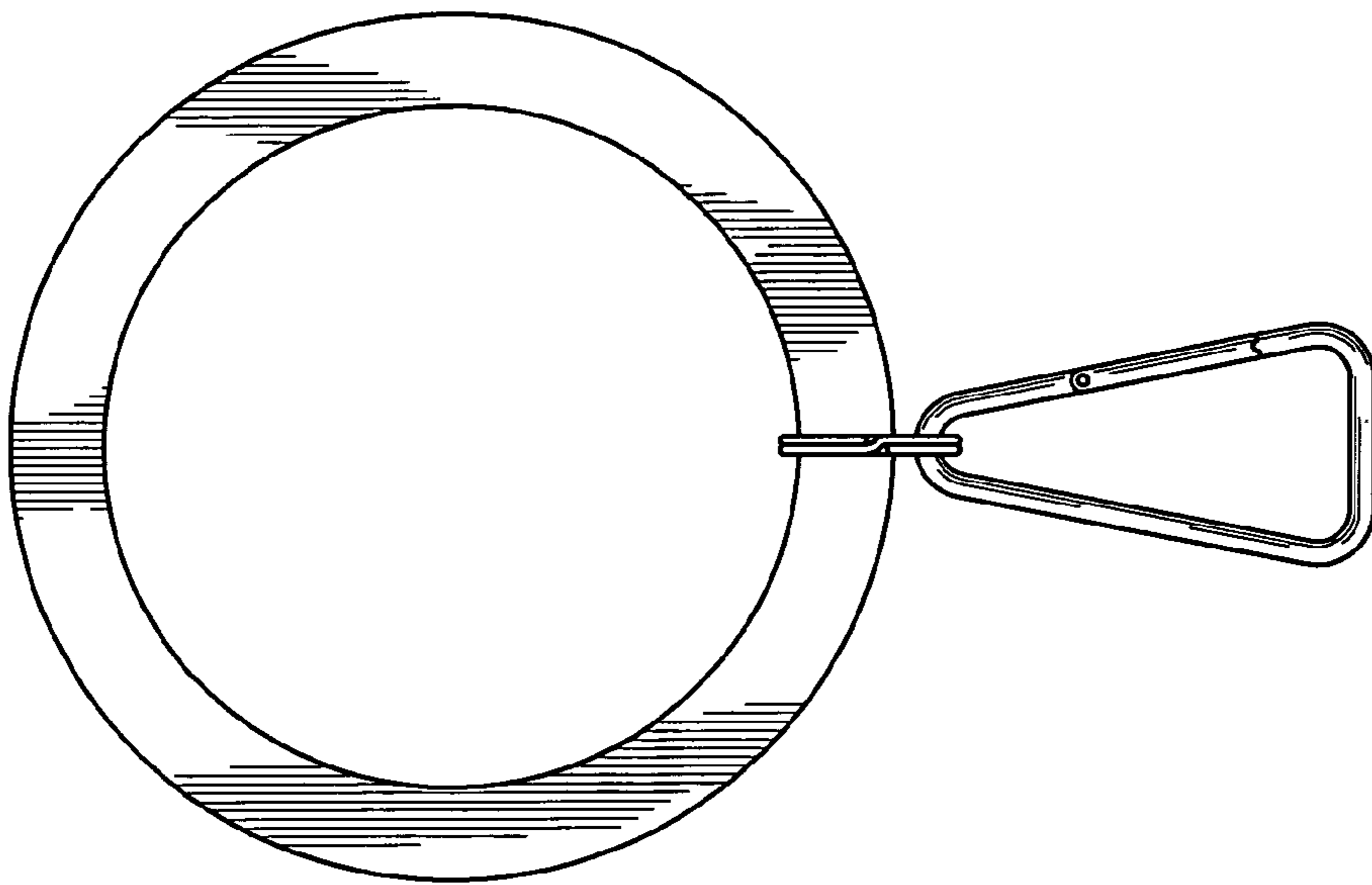
FIG. 1 is a front elevational view;  
FIG. 2 is a rear elevational view;  
FIG. 3 is a left side elevational view;  
FIG. 4 is a right side elevational view;  
FIG. 5 is a top plan view; and,  
FIG. 6 is a top plan view.

**1 Claim, 2 Drawing Sheets**

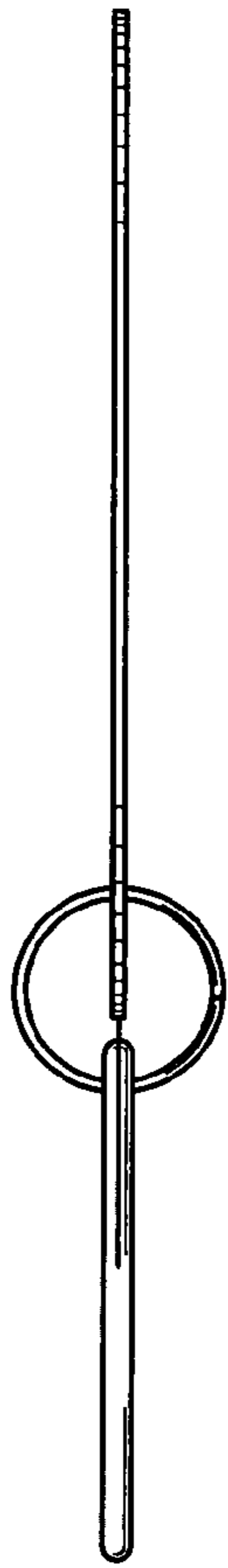




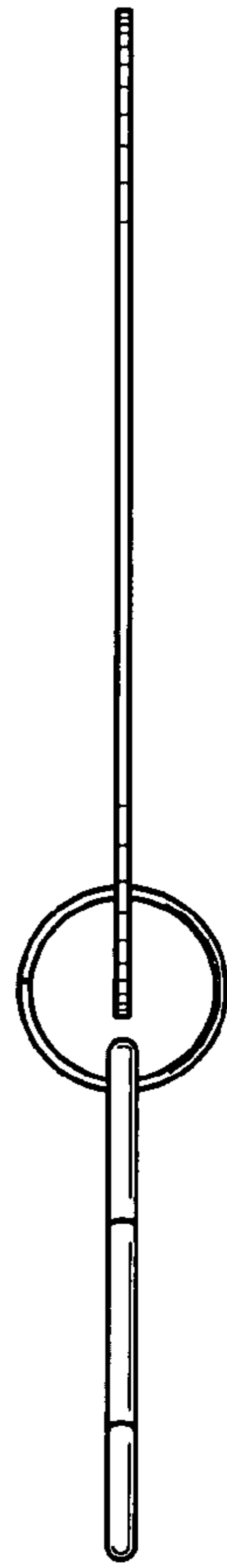
*Fig. 2*



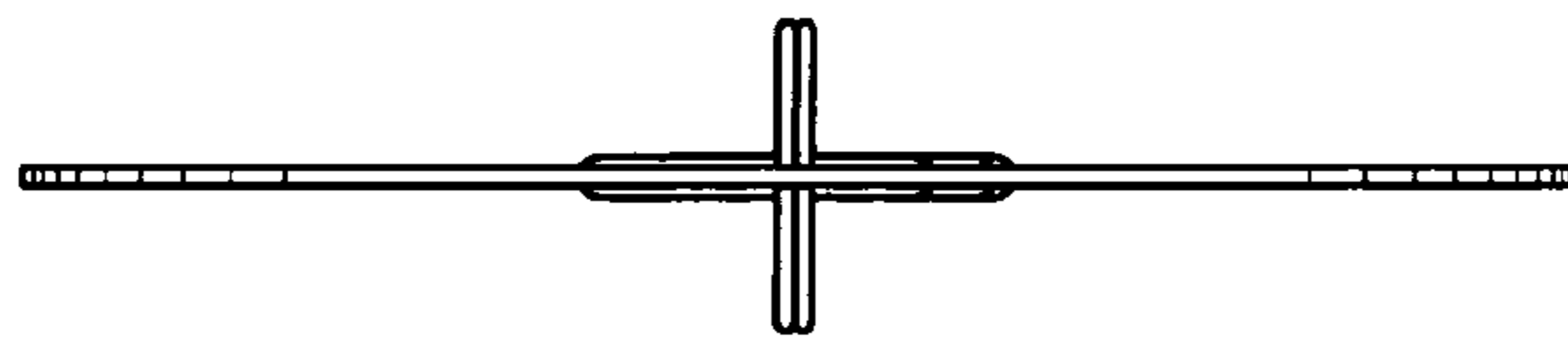
*Fig. 1*



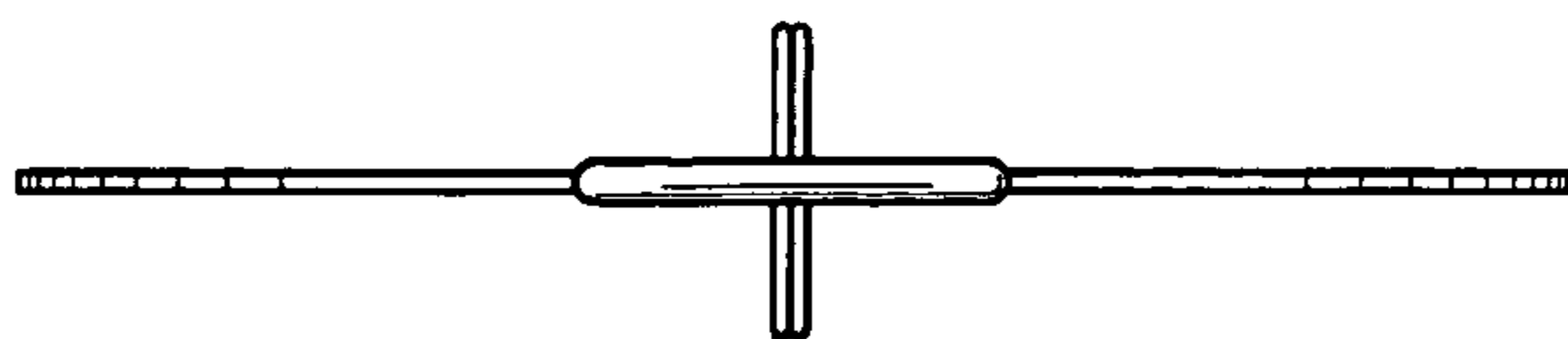
*Fig. 3*



*Fig. 4*



*Fig. 5*



*Fig. 6*