

US00D667212S

(12) **United States Design Patent**
Reilly

(10) **Patent No.:** **US D667,212 S**

(45) **Date of Patent:** **** Sep. 18, 2012**

(54) **SHOE BUCKLE**

(76) Inventor: **Judith W. Reilly**, Andover, MA (US)

(**) Term: **14 Years**

(21) Appl. No.: **29/373,885**

(22) Filed: **Jun. 3, 2011**

(51) **LOC (9) Cl.** **02-99**

(52) **U.S. Cl.** **D2/976**

(58) **Field of Classification Search** D2/939,
D2/946, 976; 36/45, 136, 137, 50.1

See application file for complete search history.

(56) **References Cited**

U.S. PATENT DOCUMENTS

1,053,974	A *	2/1913	Cohen	36/45
D91,613	S *	2/1934	De Liso	D2/939
D92,306	S *	5/1934	Heil	D2/939
D129,300	S *	9/1941	Sutcliffe	D2/939
D131,552	S *	3/1942	Julianelli et al.	D2/939

* cited by examiner

Primary Examiner — Dominic Simone

(74) *Attorney, Agent, or Firm* — Dauphin Law Offices;
Brian C. Dauphin, Esq.

(57) **CLAIM**

The ornamental design for a shoe buckle, as shown and described.

DESCRIPTION

FIG. 1 is a front perspective view of a shoe buckle showing my new design;

FIG. 2 is a front elevational view thereof;

FIG. 3 is a rear elevational of the embodiment of FIG. 1;

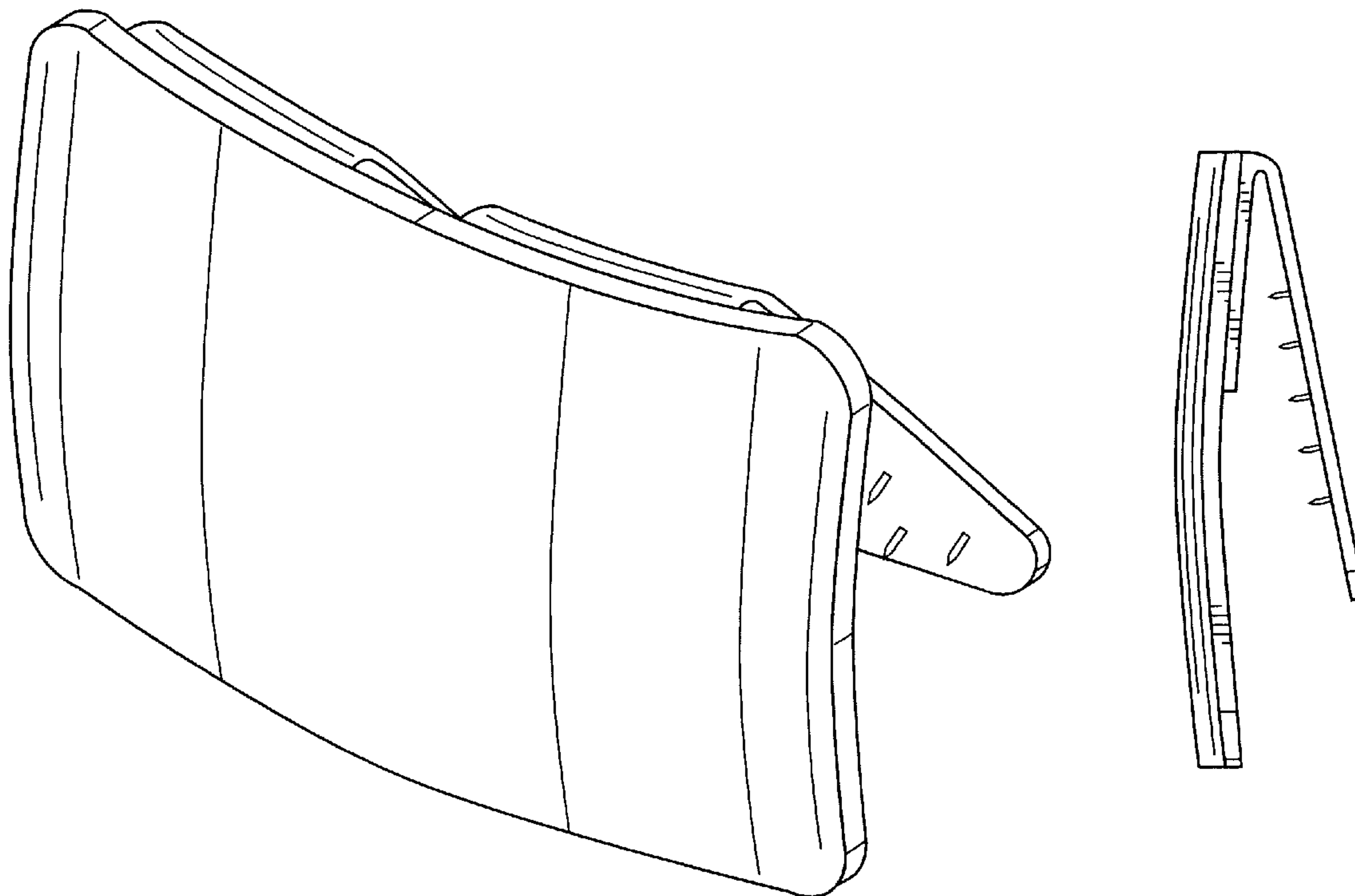
FIG. 4 is a first side elevation view of the embodiment of FIG. 1;

FIG. 5 is a second side elevation view of the embodiment of FIG. 1;

FIG. 6 is a top elevational view of the embodiment of FIG. 1; and,

FIG. 7 is a bottom elevational view of the embodiment of FIG. 1.

1 Claim, 3 Drawing Sheets



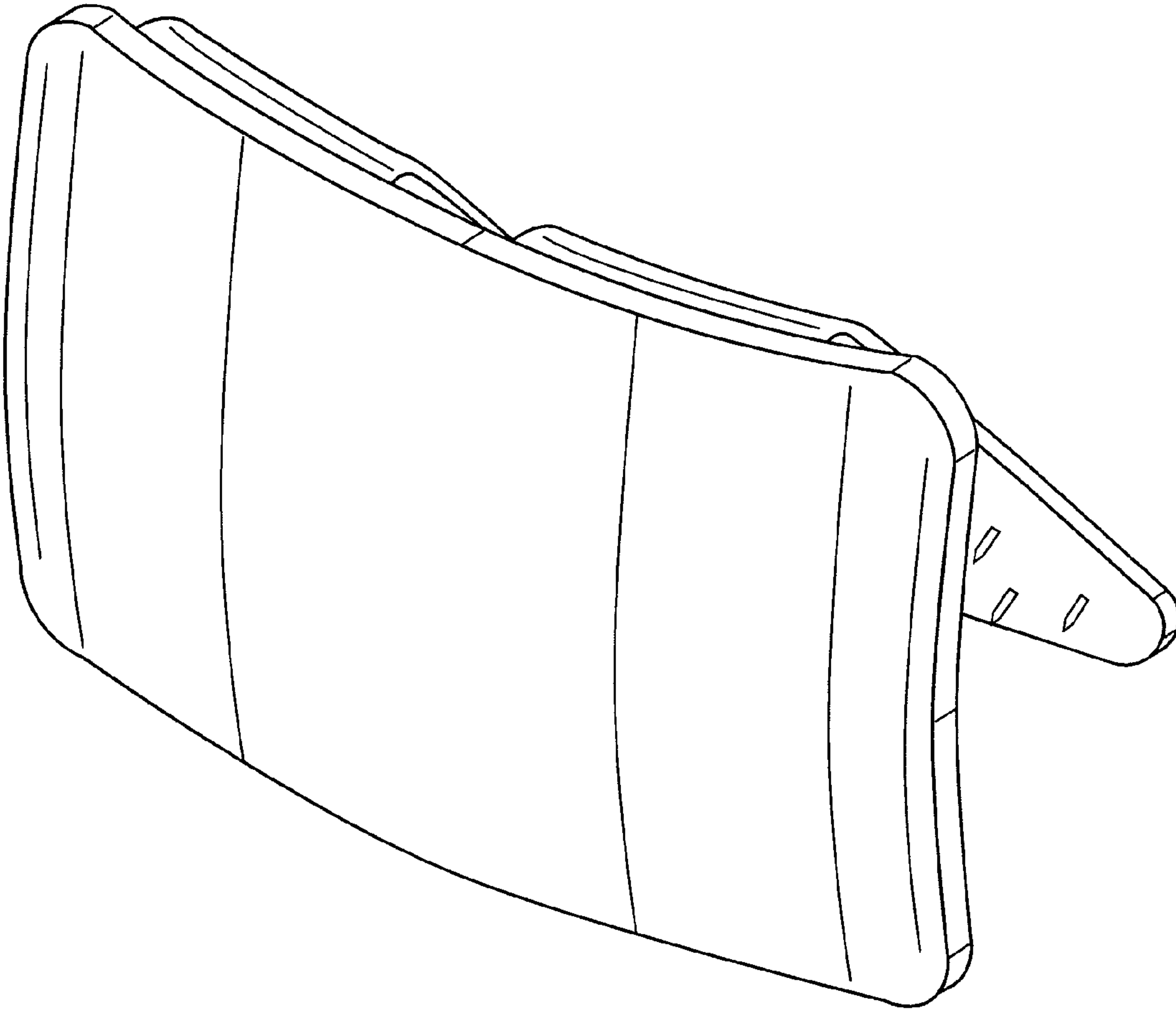


FIG. 1

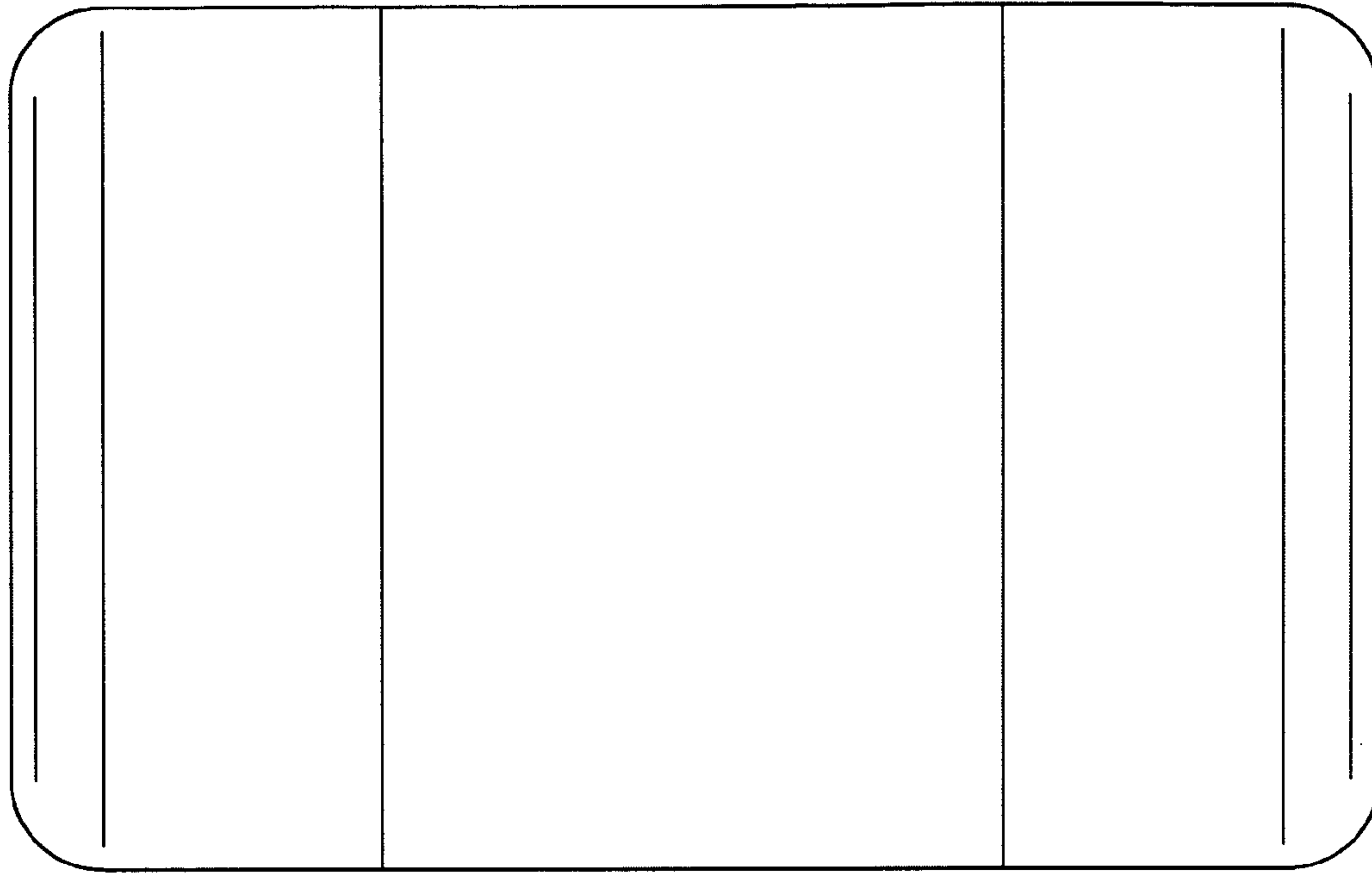


FIG. 2

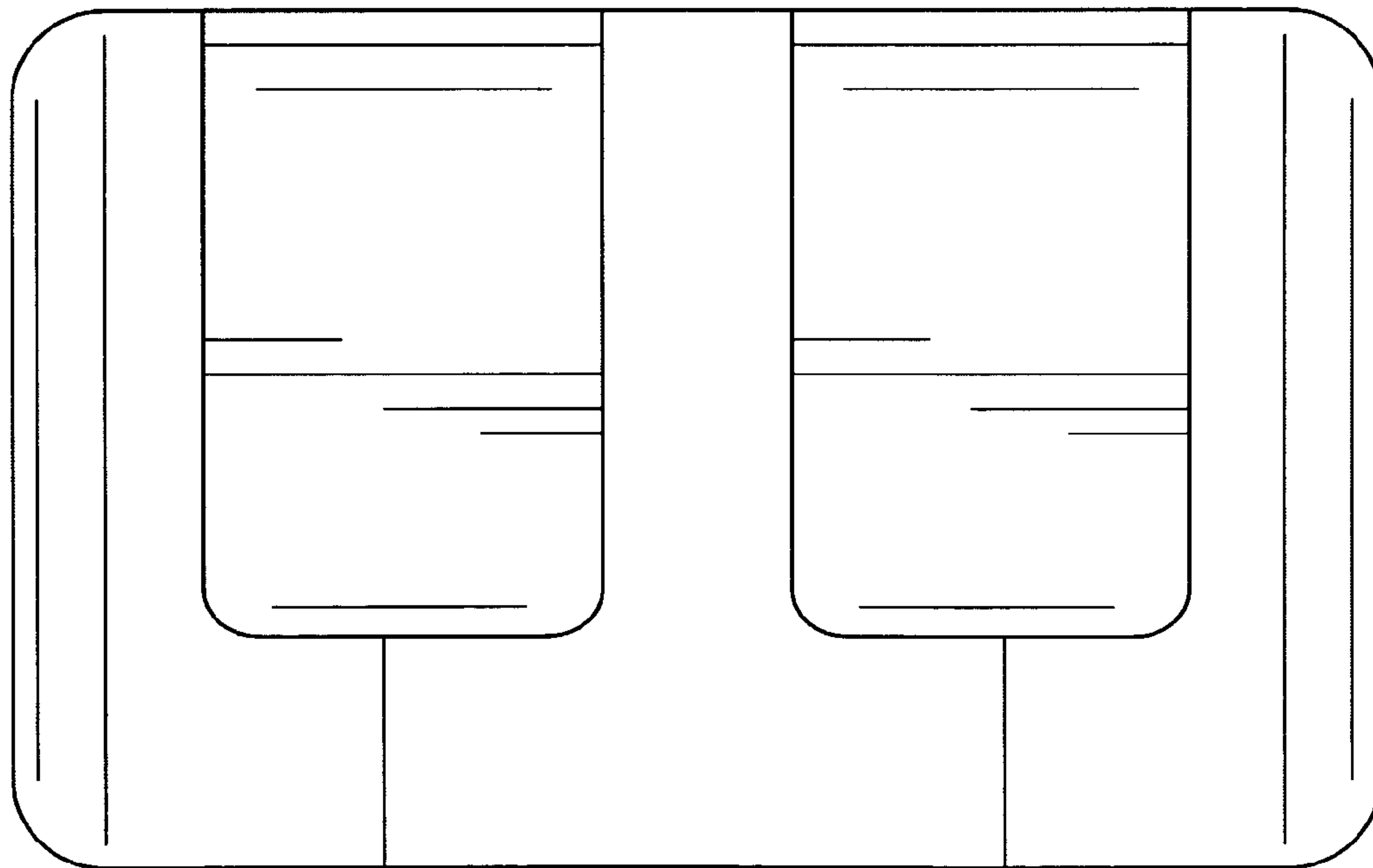


FIG. 3

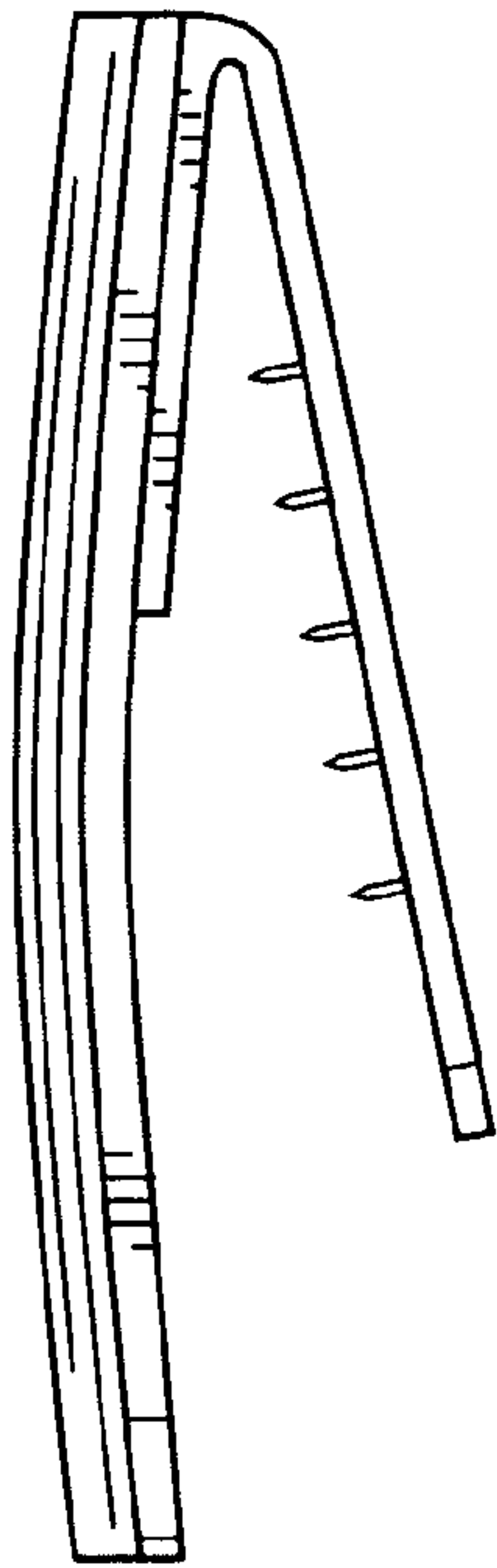


FIG. 4

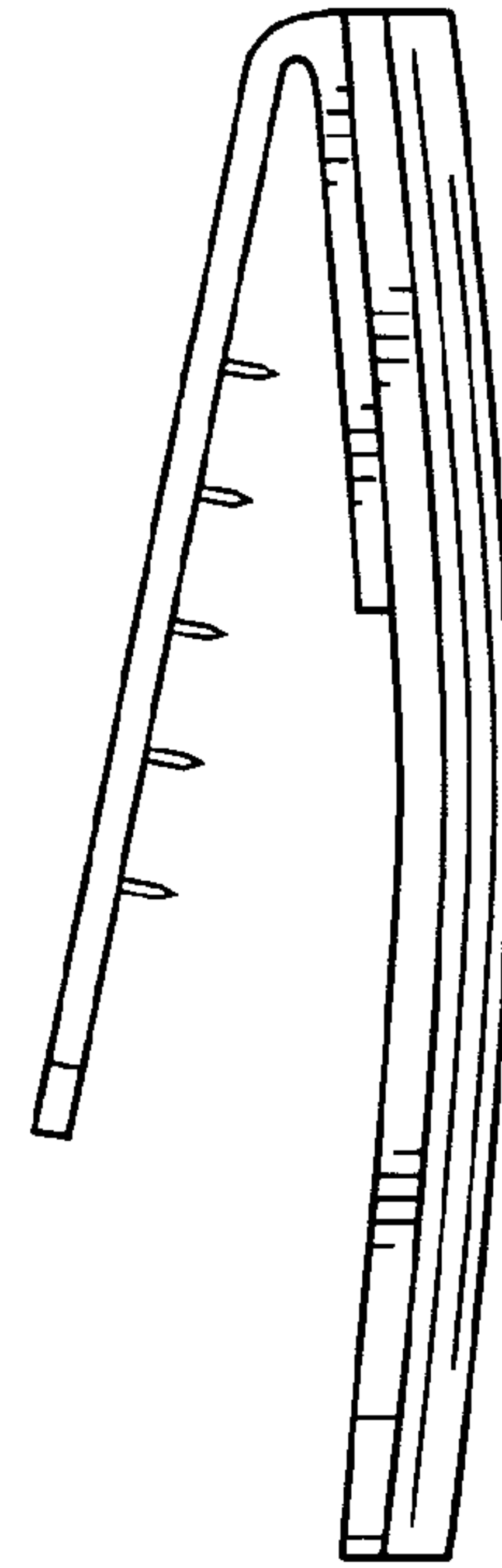


FIG. 5

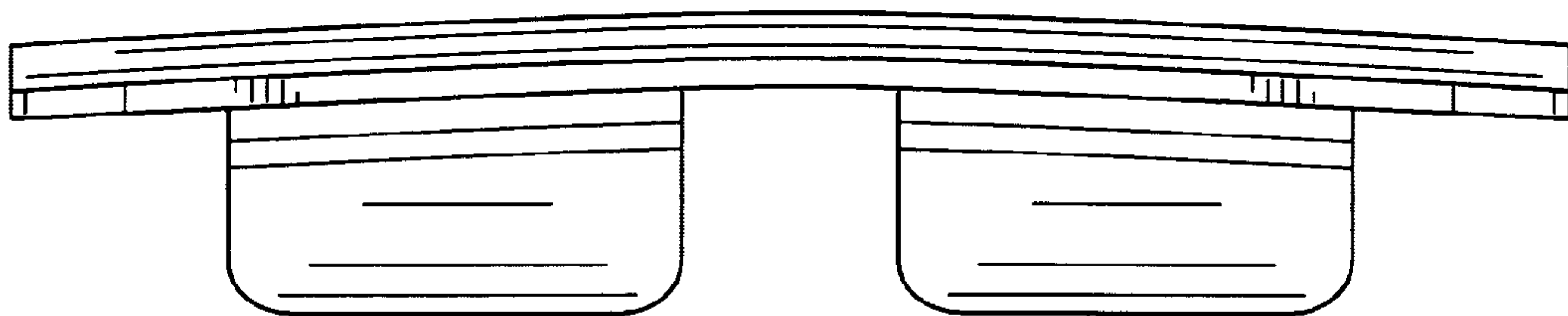


FIG. 6

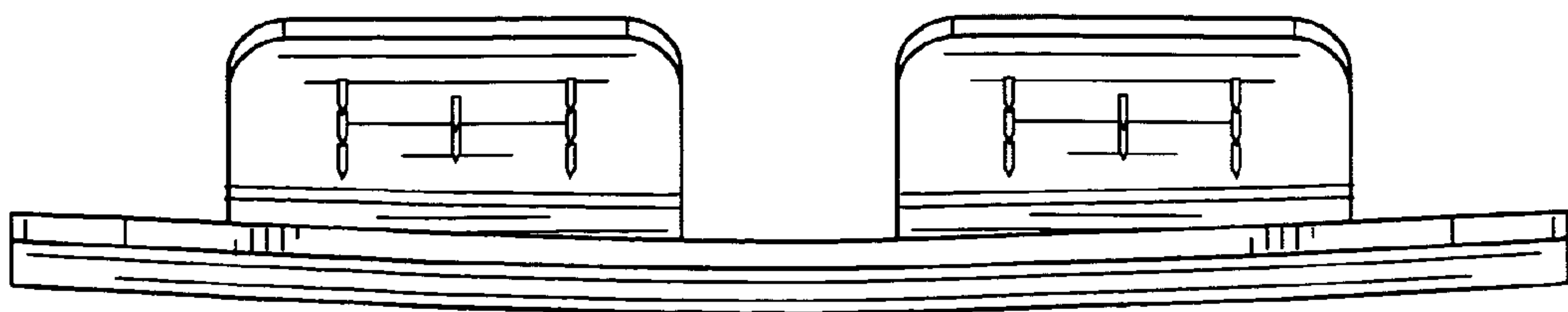


FIG. 7