



US00D667209S

(12) **United States Design Patent**  
**Castellon**

(10) **Patent No.:** **US D667,209 S**

(45) **Date of Patent:** **\*\* Sep. 18, 2012**

(54) **FOOTWEAR**

(75) Inventor: **Michael Castellon**, Portland, OR (US)

(73) Assignee: **Sorel Corporation**, Portland, OR (US)

(\*\*) Term: **14 Years**

(21) Appl. No.: **29/404,596**

(22) Filed: **Oct. 21, 2011**

(51) **LOC (9) Cl.** ..... **02-04**

(52) **U.S. Cl.** ..... **D2/970; D2/912**

(58) **Field of Classification Search** ..... D2/896,  
D2/900, 909-911, 920, 943, 946, 969, 970,  
D2/974; 36/83, 1.5, 2 R, 109, 3 A, 7.1 R,  
36/45, 52, 112, 100

See application file for complete search history.

(56) **References Cited**

**U.S. PATENT DOCUMENTS**

3,545,107	A	*	12/1970	Cinquegrana et al.	.....	36/50.1
D354,165	S	*	1/1995	Werman	.....	D2/970
D367,354	S	*	2/1996	Brooks et al.	.....	D2/970
D368,361	S	*	4/1996	Brooks et al.	.....	D2/970
D368,362	S	*	4/1996	Werman	.....	D2/970
D380,598	S	*	7/1997	Brooks et al.	.....	D2/970

D382,992	S	*	9/1997	Chiu	.....	D2/970
D385,692	S	*	11/1997	Beliveau	.....	D2/970
D447,322	S	*	9/2001	Auberry	.....	D2/912

\* cited by examiner

*Primary Examiner* — Robert M Spear

*Assistant Examiner* — Rashida C McCoy

(74) *Attorney, Agent, or Firm* — Schwabe, Williamson & Wyatt, P.C.

(57) **CLAIM**

I claim the ornamental design for footwear, as shown and described.

**DESCRIPTION**

FIG. 1 is a perspective view of footwear, showing my new design;

FIG. 2 is a left side view thereof;

FIG. 3 is a right side view thereof;

FIG. 4 is a top view thereof;

FIG. 5 is a bottom view thereof;

FIG. 6 is a front view thereof; and,

FIG. 7 is a back view thereof.

The dashed lines are included for illustrating environmental structure and form no part of the claimed design.

**1 Claim, 4 Drawing Sheets**



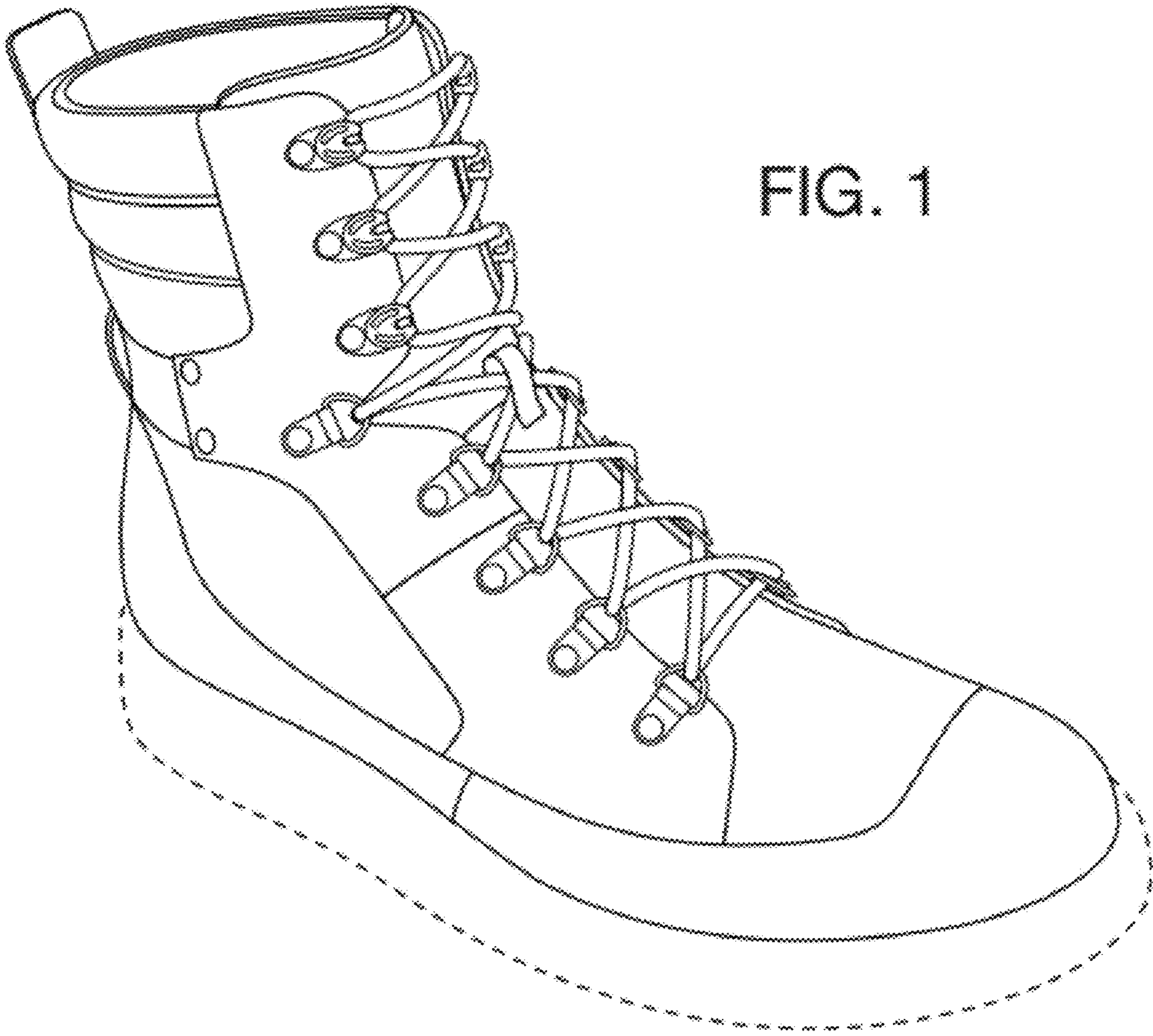


FIG. 1

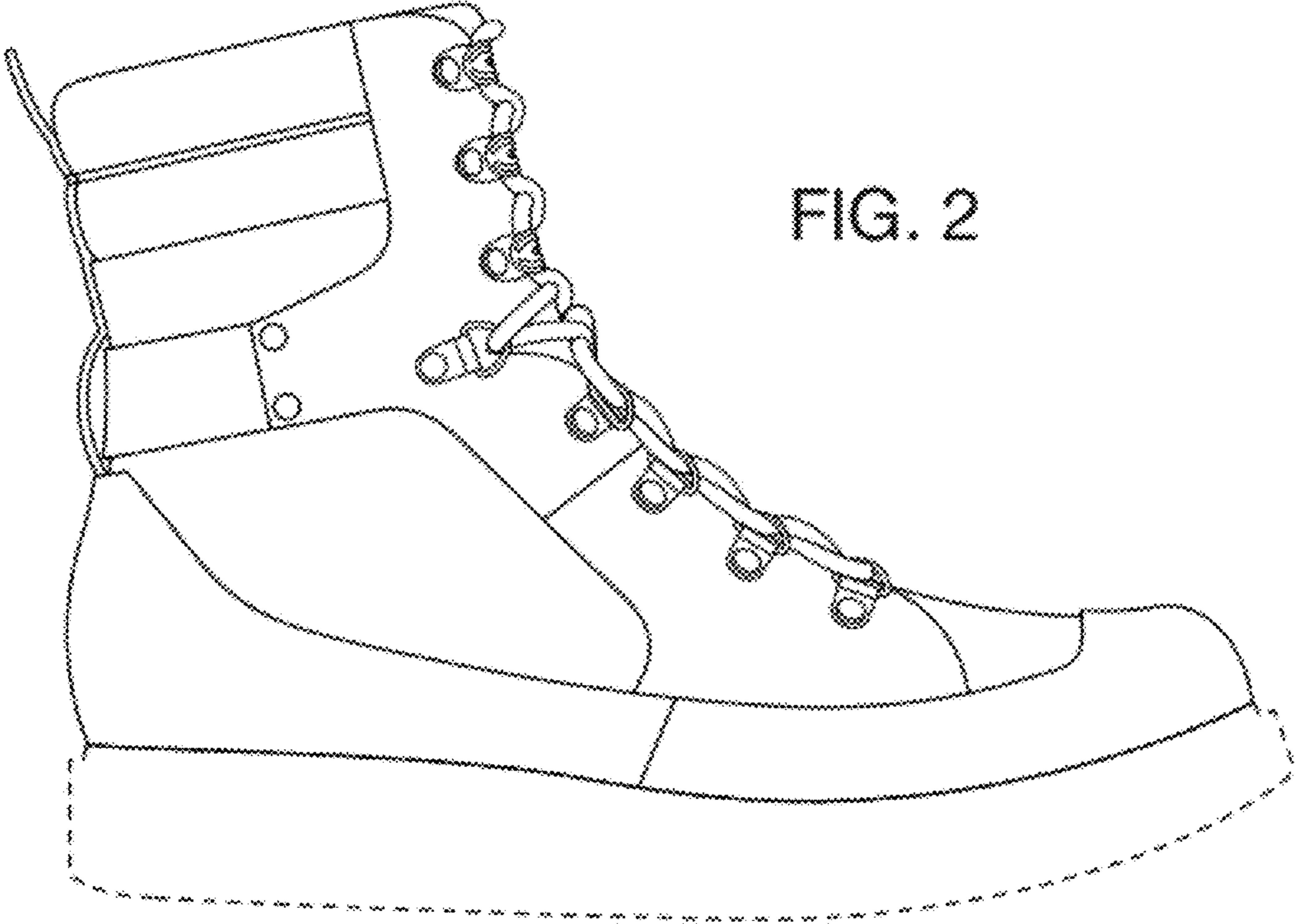


FIG. 2

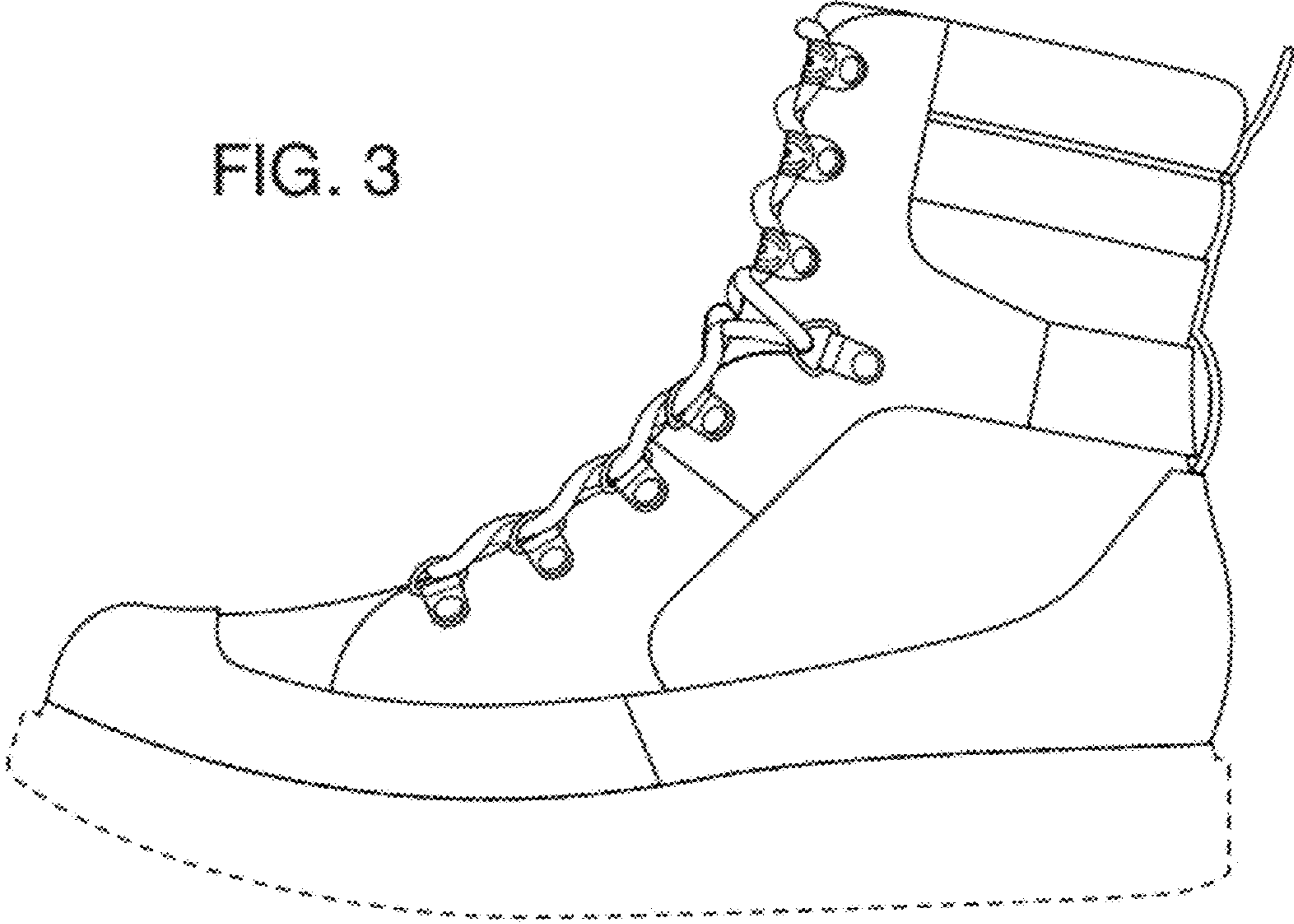


FIG. 3

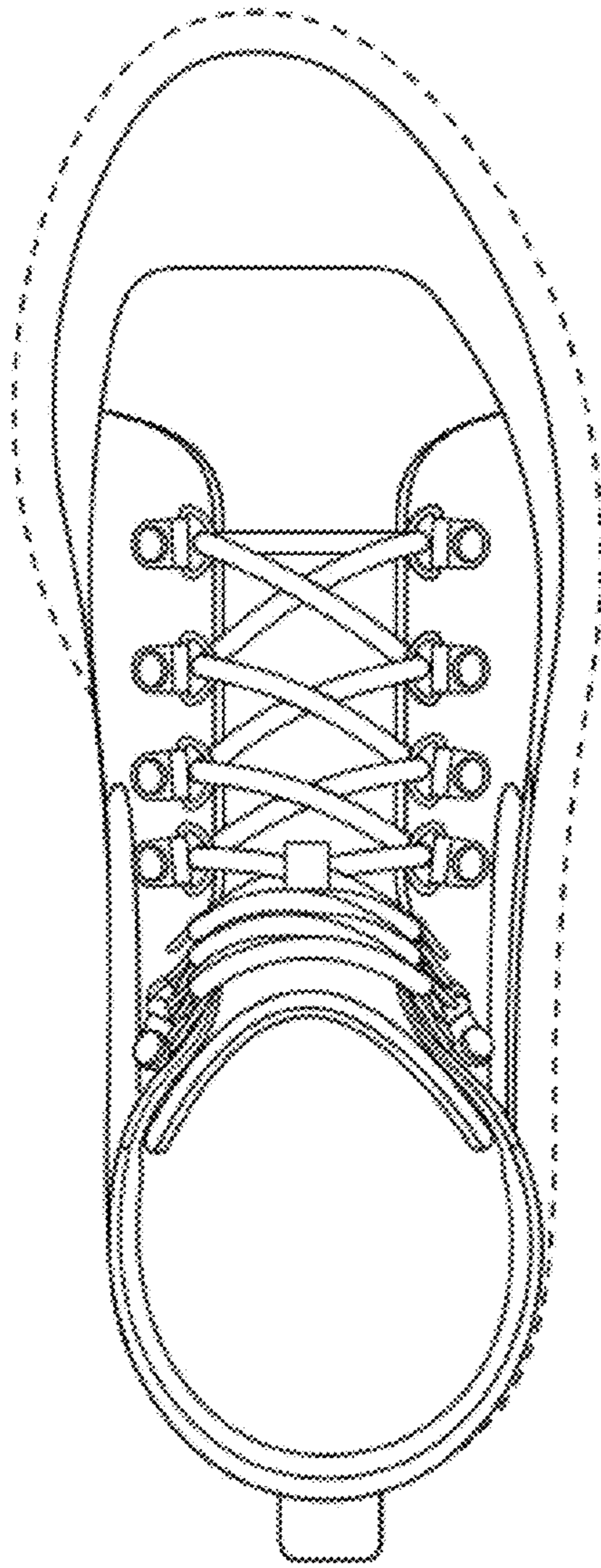


FIG. 4

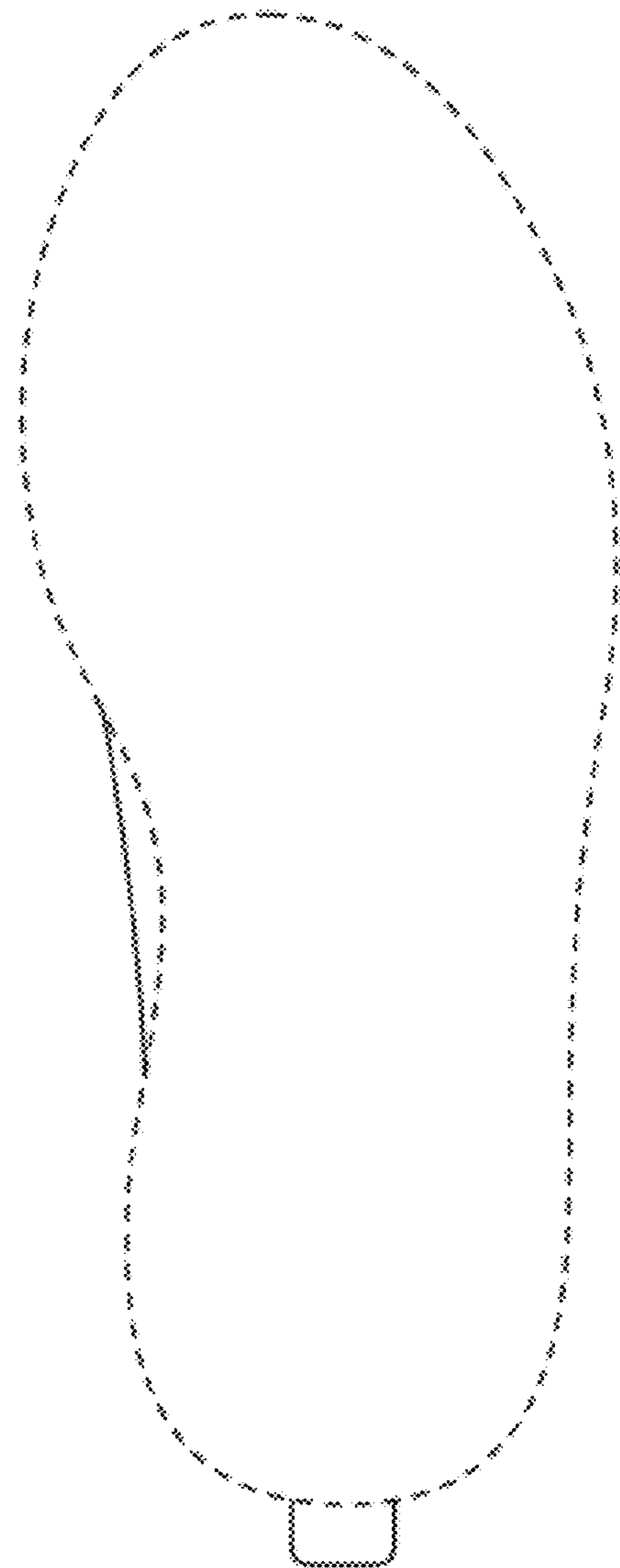


FIG. 5

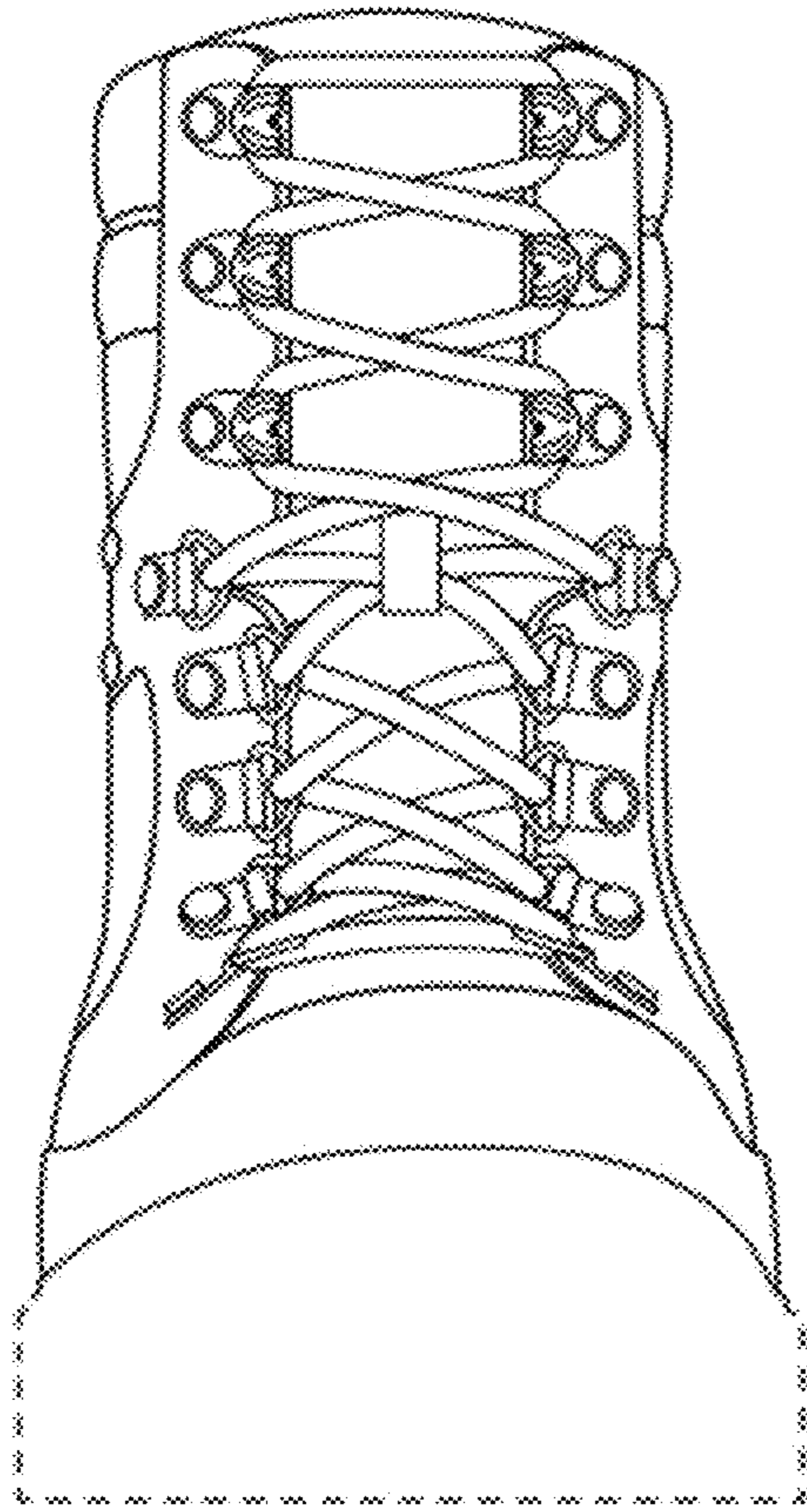


FIG. 6

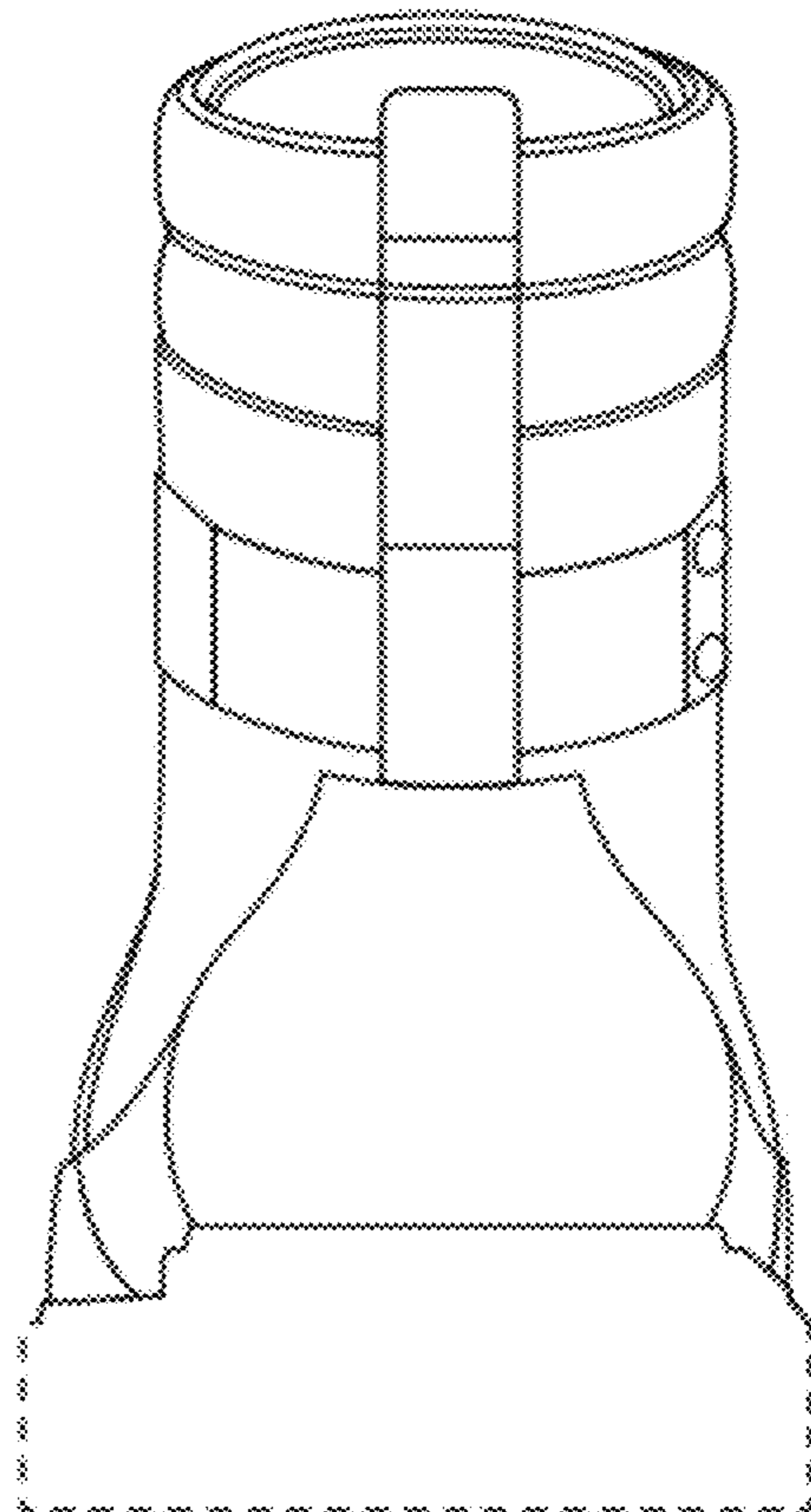


FIG. 7