



US00D667200S

(12) **United States Design Patent**  
**Jones**

(10) **Patent No.:** **US D667,200 S**

(45) **Date of Patent:** **\*\* \*Sep. 18, 2012**

(54) **SHOE**

(76) Inventor: **Blain Devin Jones**, Levittown, PA (US)

(\*) Notice: This patent is subject to a terminal disclaimer.

(\*\*) Term: **14 Years**

(21) Appl. No.: **29/316,960**

(22) Filed: **Nov. 14, 2009**

(51) **LOC (9) Cl.** ..... **02-04**

(52) **U.S. Cl.** ..... **D2/896; D2/911**

(58) **Field of Classification Search** ..... D2/896,  
D2/898, 909-915, 925, 946, 970, 971, 973;  
36/83, 109, 112, 113, 114, 45, 50.1, 134,  
36/136, 77 R, 77 M, 7.1 R, 8.3

See application file for complete search history.

(56) **References Cited**

**U.S. PATENT DOCUMENTS**

D67,571 S *	6/1925	Blair	.....	D2/911
D77,278 S *	12/1928	Westling	.....	D2/911
D97,613 S *	11/1935	Mackey	.....	D2/910
D108,491 S *	2/1938	Ford	.....	D30/146
D129,261 S *	9/1941	Justin	.....	D2/911

D139,007 S *	10/1944	Crotty	.....	D2/911
D226,792 S *	5/1973	Gault	.....	D2/906
5,255,452 A *	10/1993	Jackson et al.	.....	36/113
D432,292 S *	10/2000	Kim	.....	D2/902
D441,940 S *	5/2001	Garcia	.....	D2/911
D449,151 S *	10/2001	Garcia	.....	D2/911
D529,689 S *	10/2006	Choi	.....	D2/911
D543,339 S *	5/2007	Choi	.....	D2/946

\* cited by examiner

*Primary Examiner* — Robert M Spear

*Assistant Examiner* — Rashida C McCoy

(74) *Attorney, Agent, or Firm* — DLC Patents, PLLC; Dustin L. Call

(57) **CLAIM**

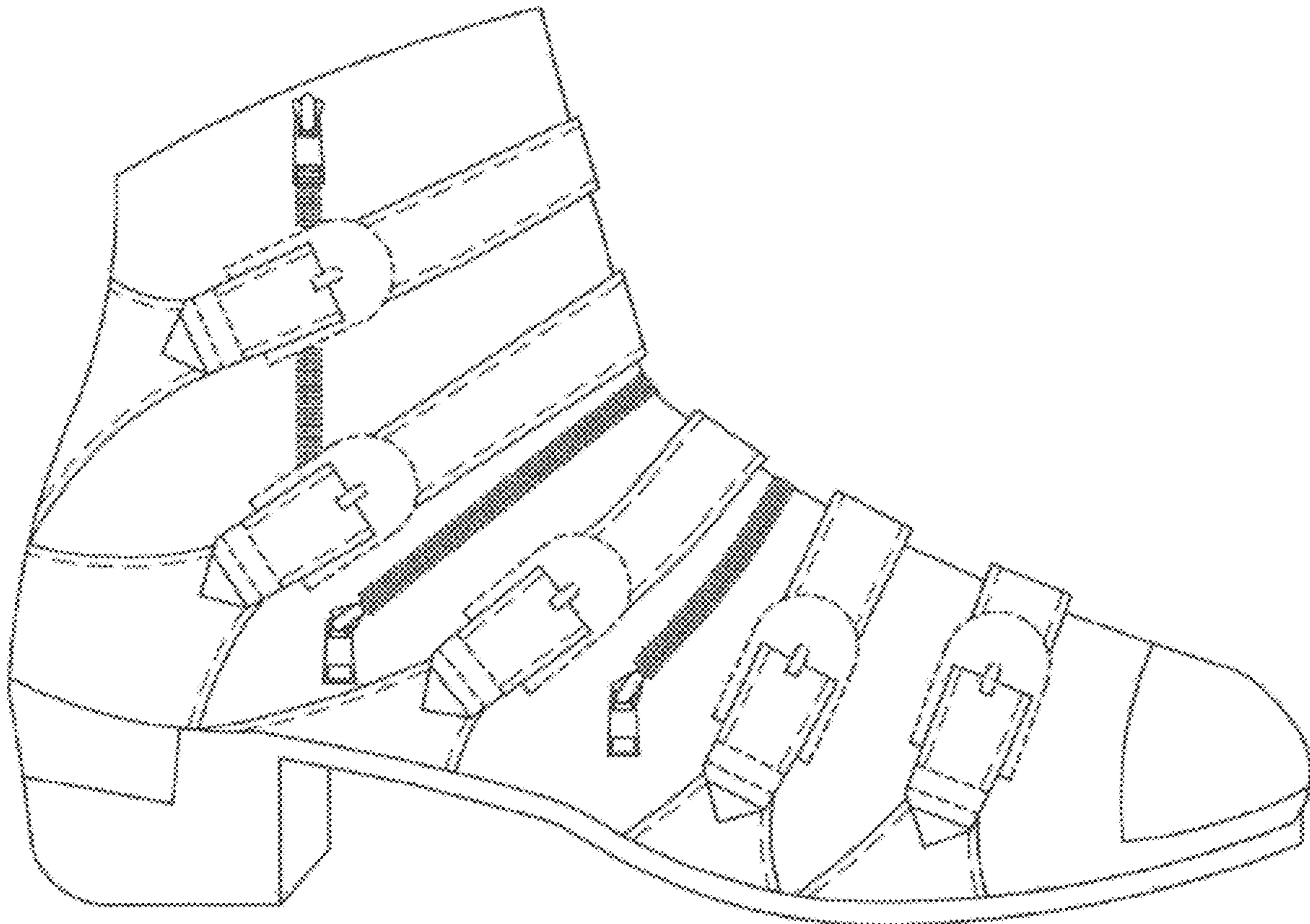
The ornamental design for a shoe, as shown.

**DESCRIPTION**

FIG. 1 is a right side view of a shoe, showing my new design; FIG. 2 is a left side view thereof; and, FIG. 3 is an enlarged rear view thereof.

The broken lines with long dashes shown on the surface of the claim represent stitching. The broken lines with small dashes shown on the surface of the clam show environment in the drawings and are included for illustrative purposes only and form no part of the claimed design.

**1 Claim, 3 Drawing Sheets**



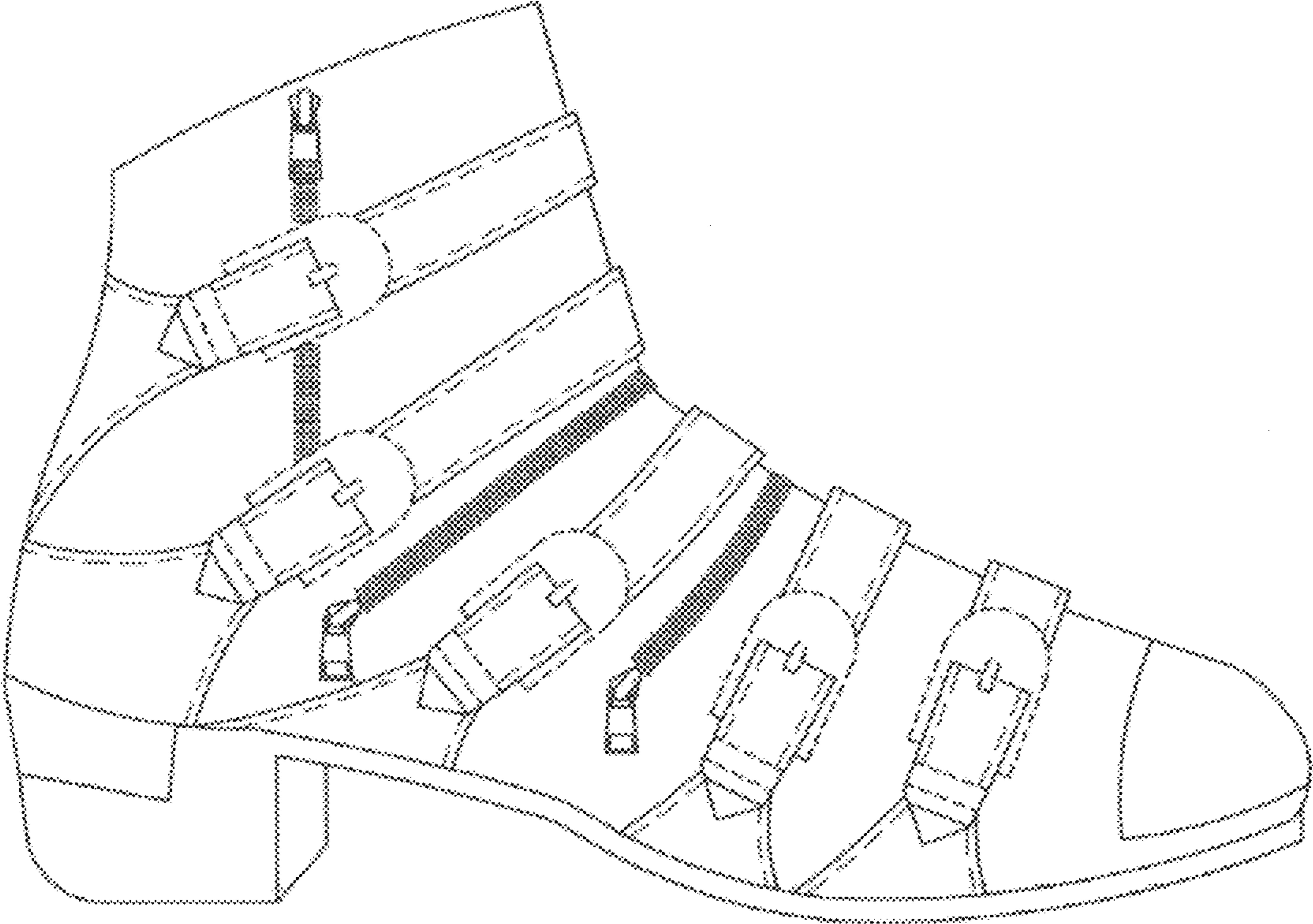


FIG. 1

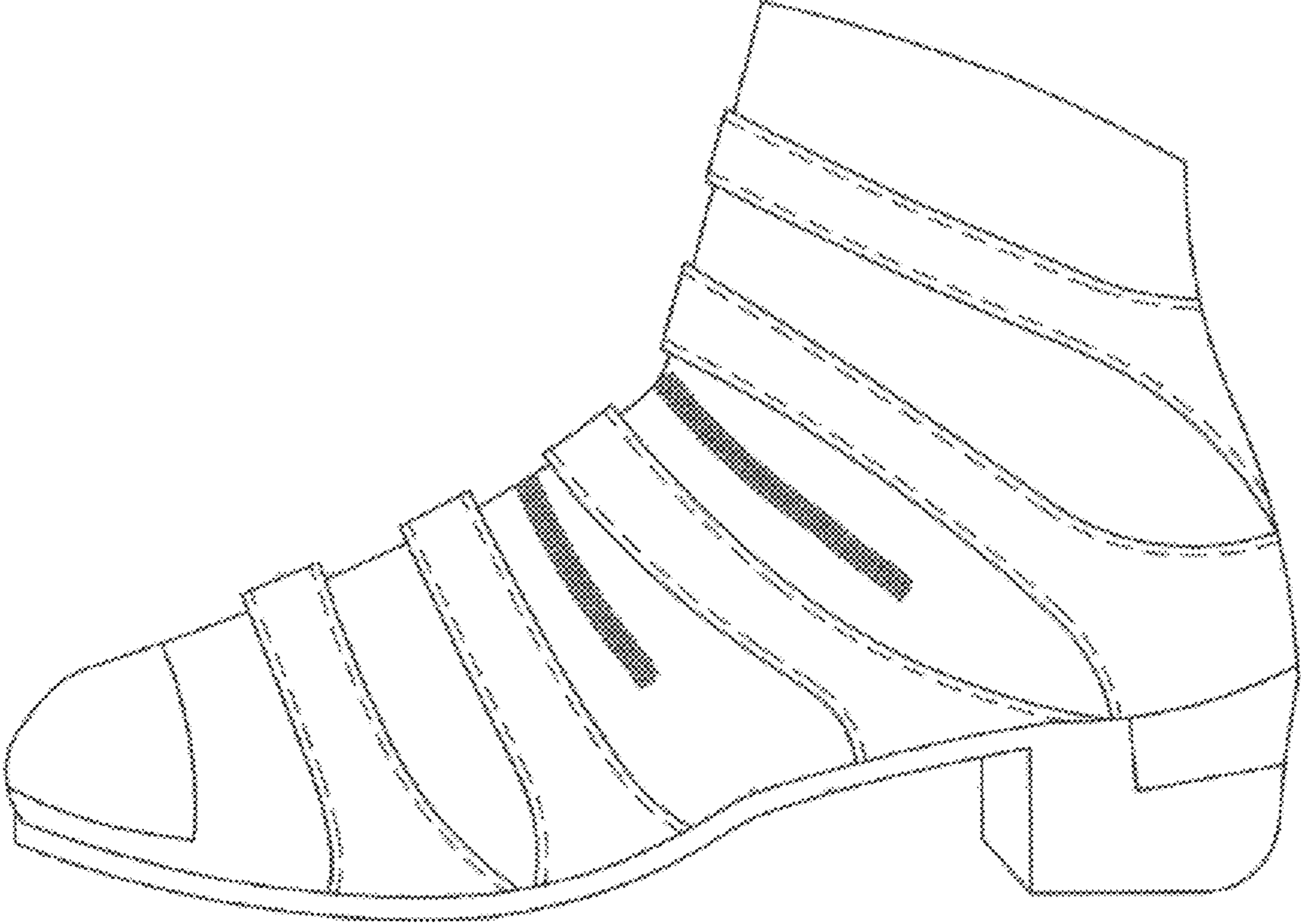


FIG. 2

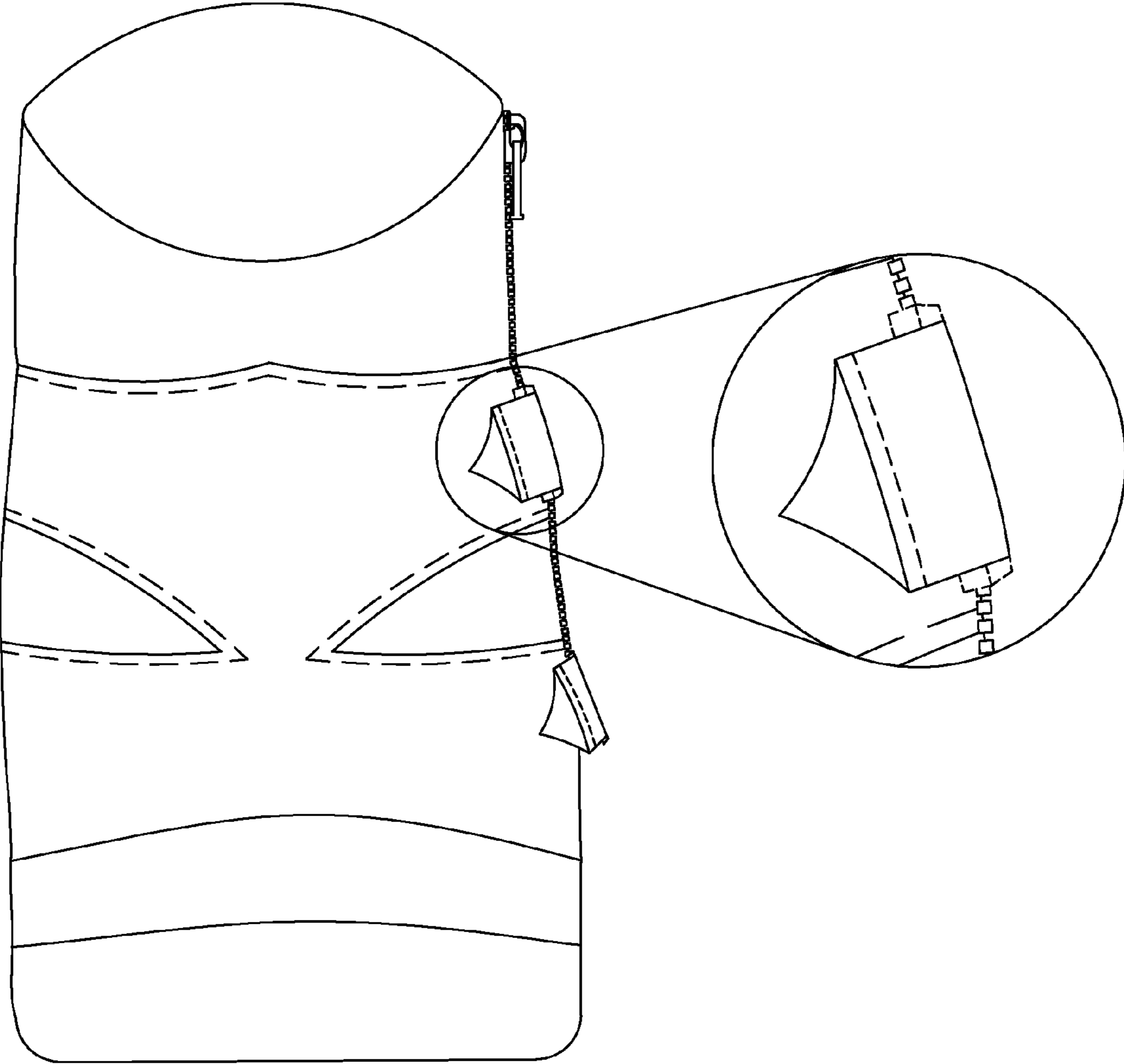


FIG. 3