



US00D667197S

(12) **United States Design Patent**
Rackley, Jr.

(10) **Patent No.:** **US D667,197 S**

(45) **Date of Patent:** **** Sep. 18, 2012**

(54) **SOCK DRESSING AID**

(76) Inventor: **Joseph M. Rackley, Jr.**, Destin, FL (US)

(**) Term: **14 Years**

(21) Appl. No.: **29/383,078**

(22) Filed: **Jan. 12, 2011**

(51) **LOC (9) Cl.** **07-99**

(52) **U.S. Cl.** **D2/641**

(58) **Field of Classification Search** D2/641-642;
223/111-112, 120

See application file for complete search history.

(56) **References Cited**

U.S. PATENT DOCUMENTS

2,443,115	A	6/1948	Park	
2,982,453	A *	5/1961	Zicarelli	223/112
3,070,271	A *	12/1962	Kennedy, Sr.	223/111
3,227,335	A	1/1966	Minnema et al.	
4,072,255	A	2/1978	Bogorad	
D259,300	S *	5/1981	Vreeken	D2/641
4,497,424	A *	2/1985	Smith	223/111
4,516,704	A	5/1985	Hagman	
4,765,520	A *	8/1988	Barton	223/111
5,031,806	A	7/1991	Alpert	
D337,881	S *	8/1993	Peeler	D2/641
D365,913	S	1/1996	Ballard	
5,626,269	A	5/1997	Duarte	
5,894,970	A	4/1999	Belkin et al.	
D414,313	S *	9/1999	Maier et al.	D2/641
6,868,997	B1	3/2005	Maguire	
7,070,074	B2 *	7/2006	Landsberger et al.	223/113
8,083,110	B2 *	12/2011	Wilkens	223/111
2004/0104254	A1 *	6/2004	Klammer	223/112

2008/0185407 A1* 8/2008 Wilkens 223/112
* cited by examiner

Primary Examiner — T. Chase Nelson

Assistant Examiner — Kathleen M Sims

(74) *Attorney, Agent, or Firm* — Montgomery Patent & Design LLC; Robert C. Montgomery; Joseph Yaksich

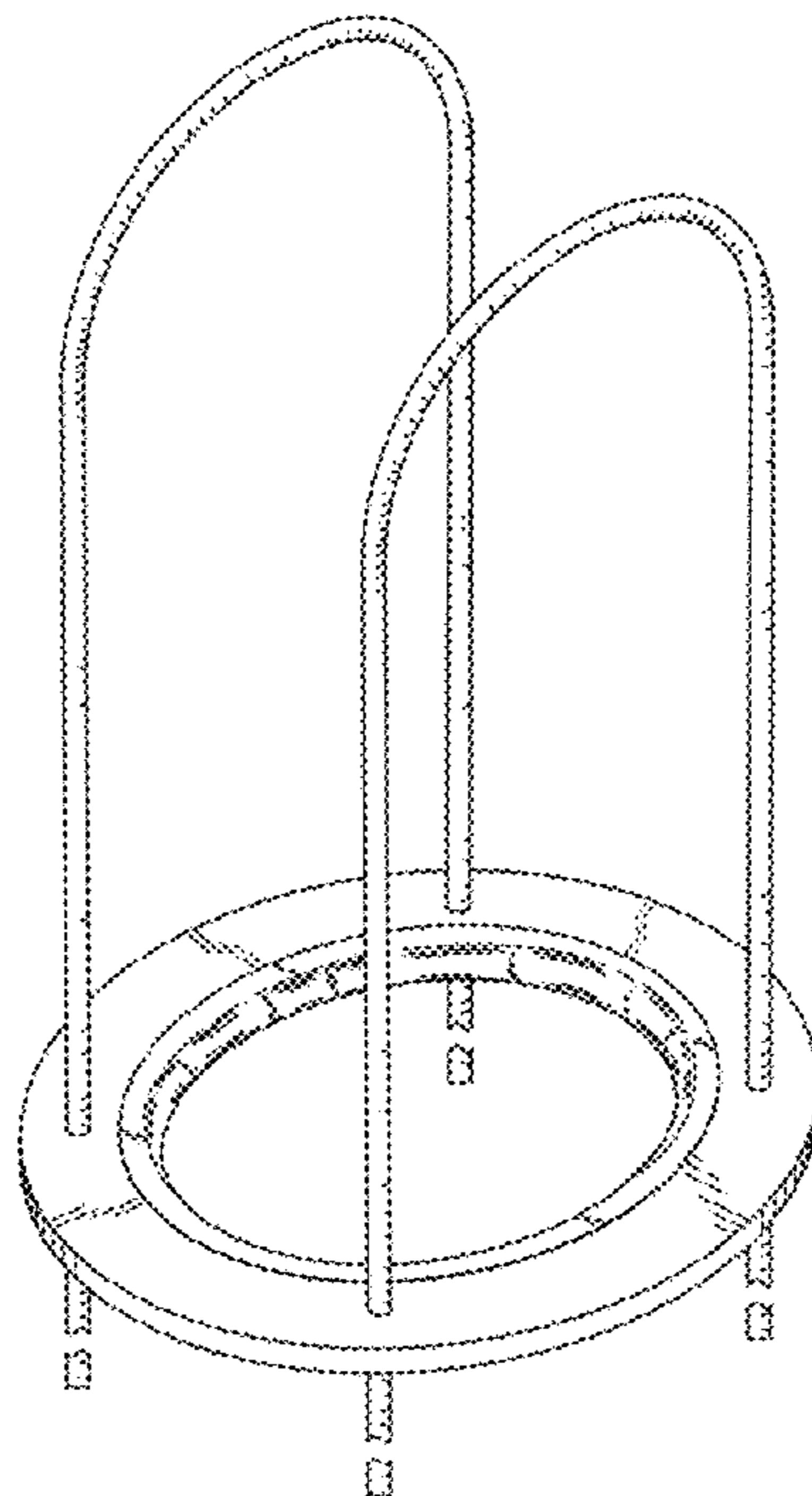
(57) **CLAIM**

The ornamental design for a sock dressing aid, as shown and described.

DESCRIPTION

FIG. 1 is a perspective view of a sock dressing aid, showing my new design;
 FIG. 2 is an exploded perspective view thereof;
 FIG. 3 is a front view of FIG. 1;
 FIG. 4 rear view thereof;
 FIG. 5 is a left side view thereof,
 FIG. 6 is a right side view thereof;
 FIG. 7 is a top view thereof;
 FIG. 8 is a bottom view thereof; and,
 FIG. 9 is an oblique side view of the sock horn shown in an in-use condition; and,
 FIG. 10 is a partial, broken-away cross-sectional view along line 10-10 of FIG. 8 in which the pull cords are not fully shown for ease of description.
 The pull cords are shown broken away to indicate that no particular length of pull cord forms a part of the claimed design.
 The broken line showing of knotted pull cords in FIG. 9 is included for the purpose of showing environmental portions of the sock dressing aid and forms no part of the claimed design.

1 Claim, 10 Drawing Sheets



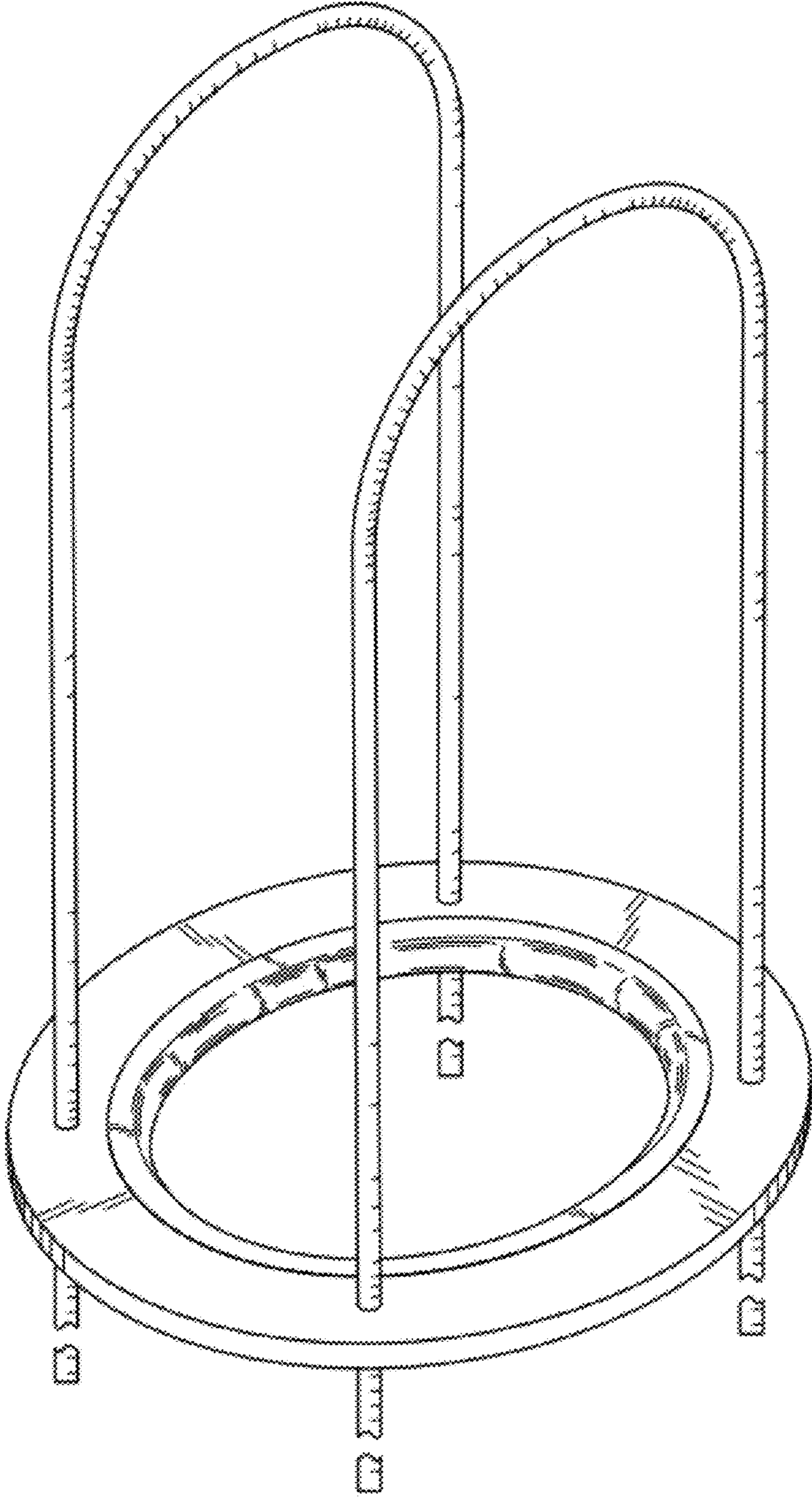


Fig. 1

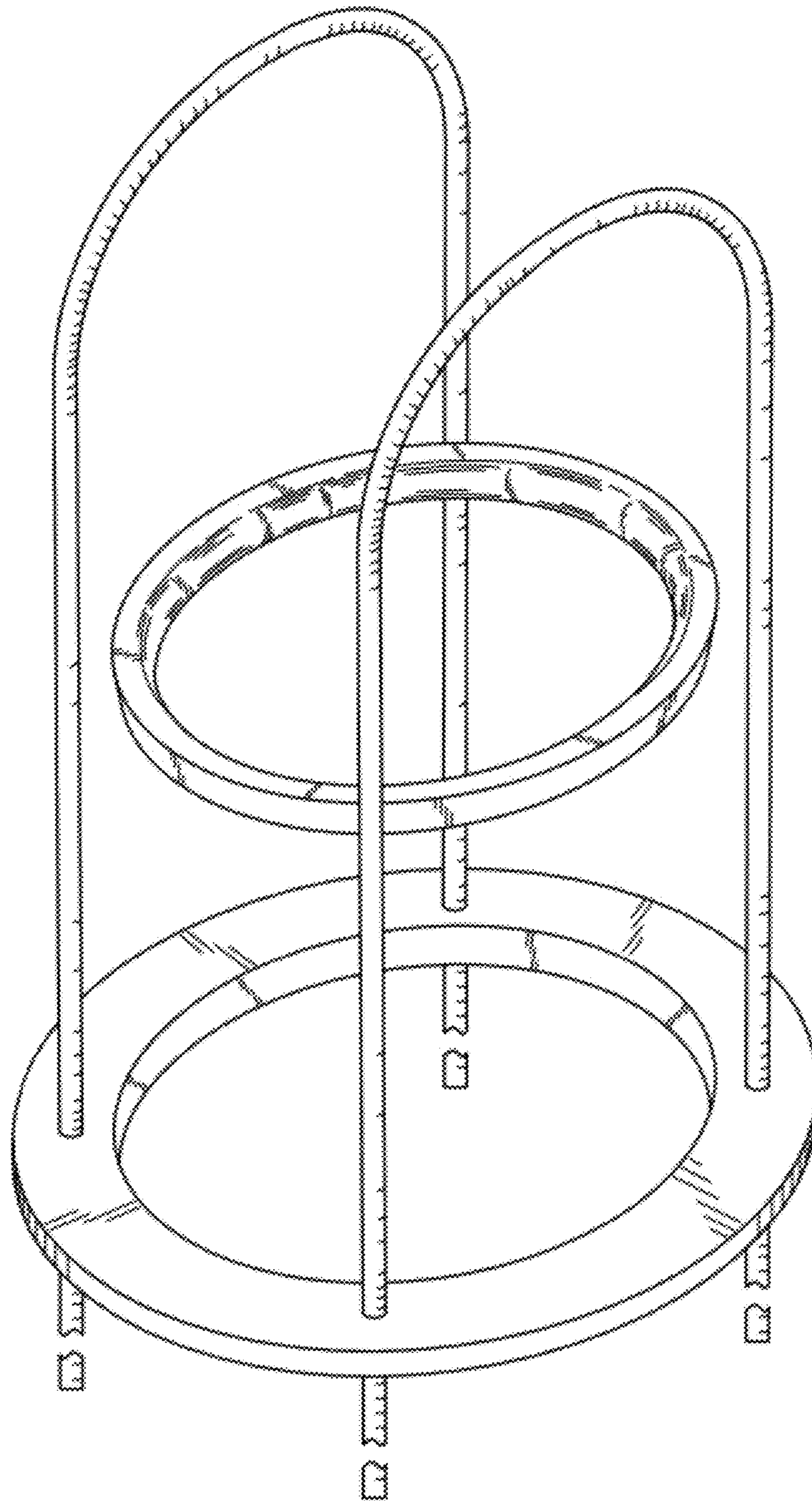


Fig. 2

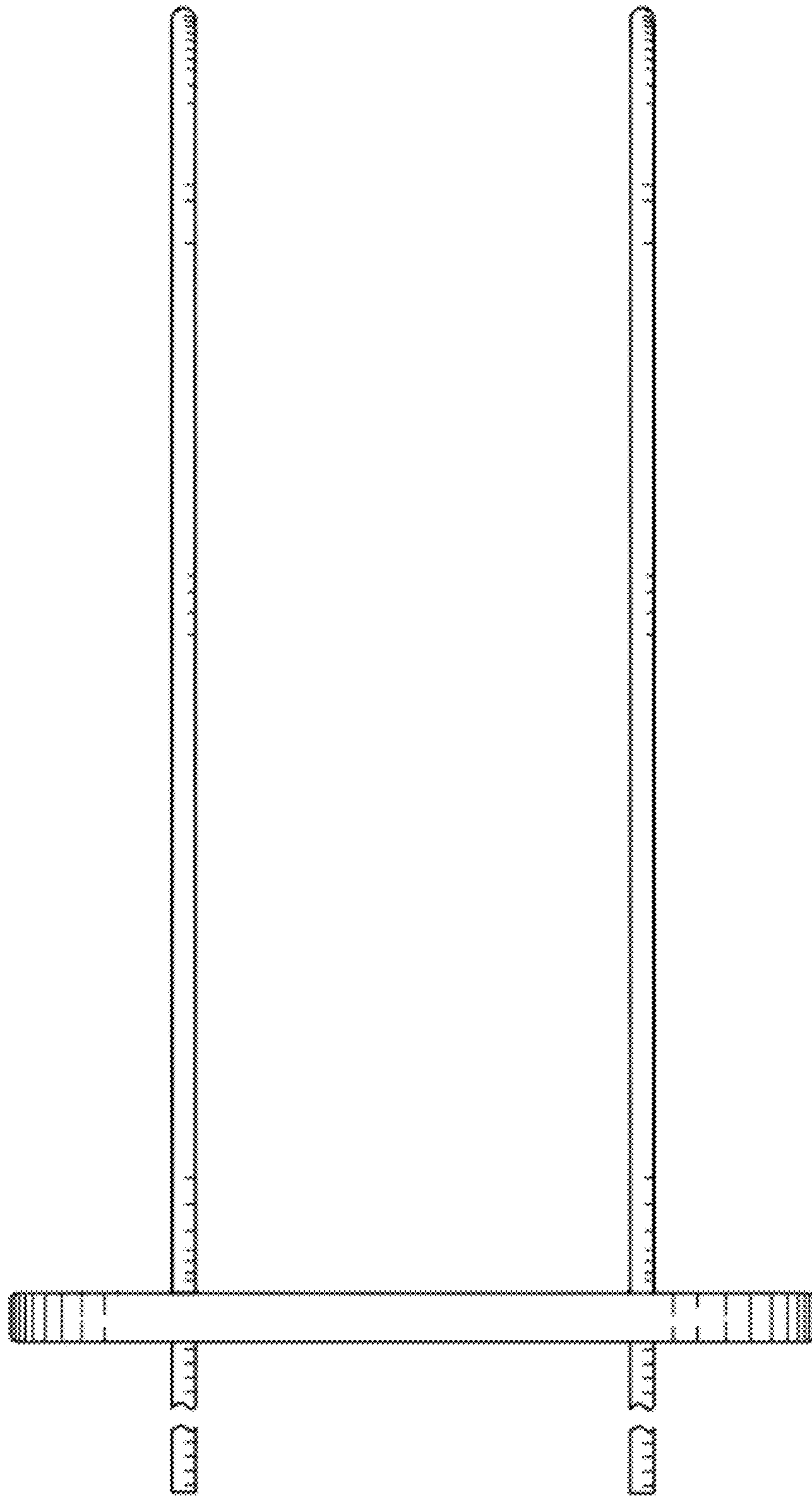


Fig. 3

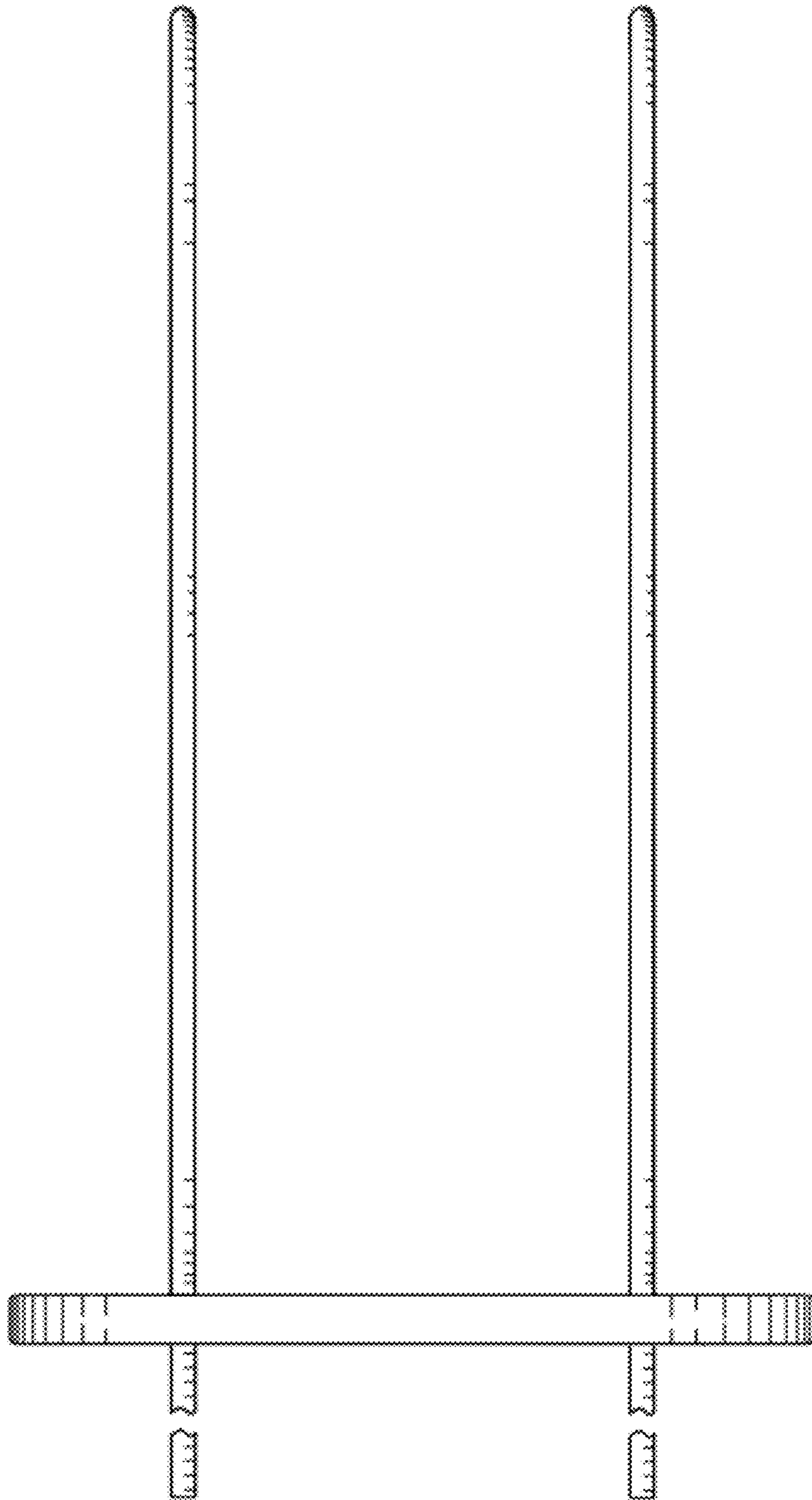


Fig. 4

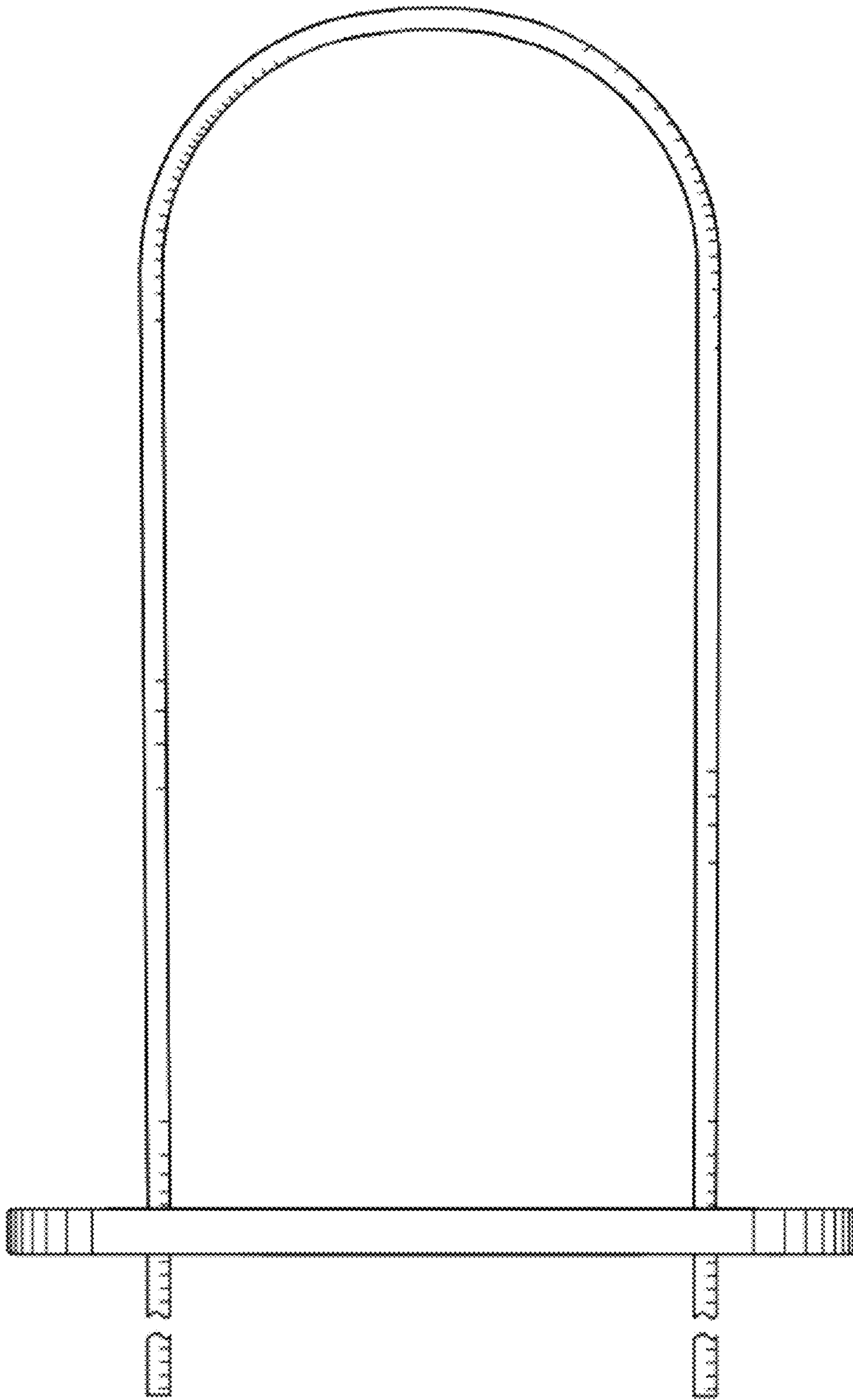


Fig. 5

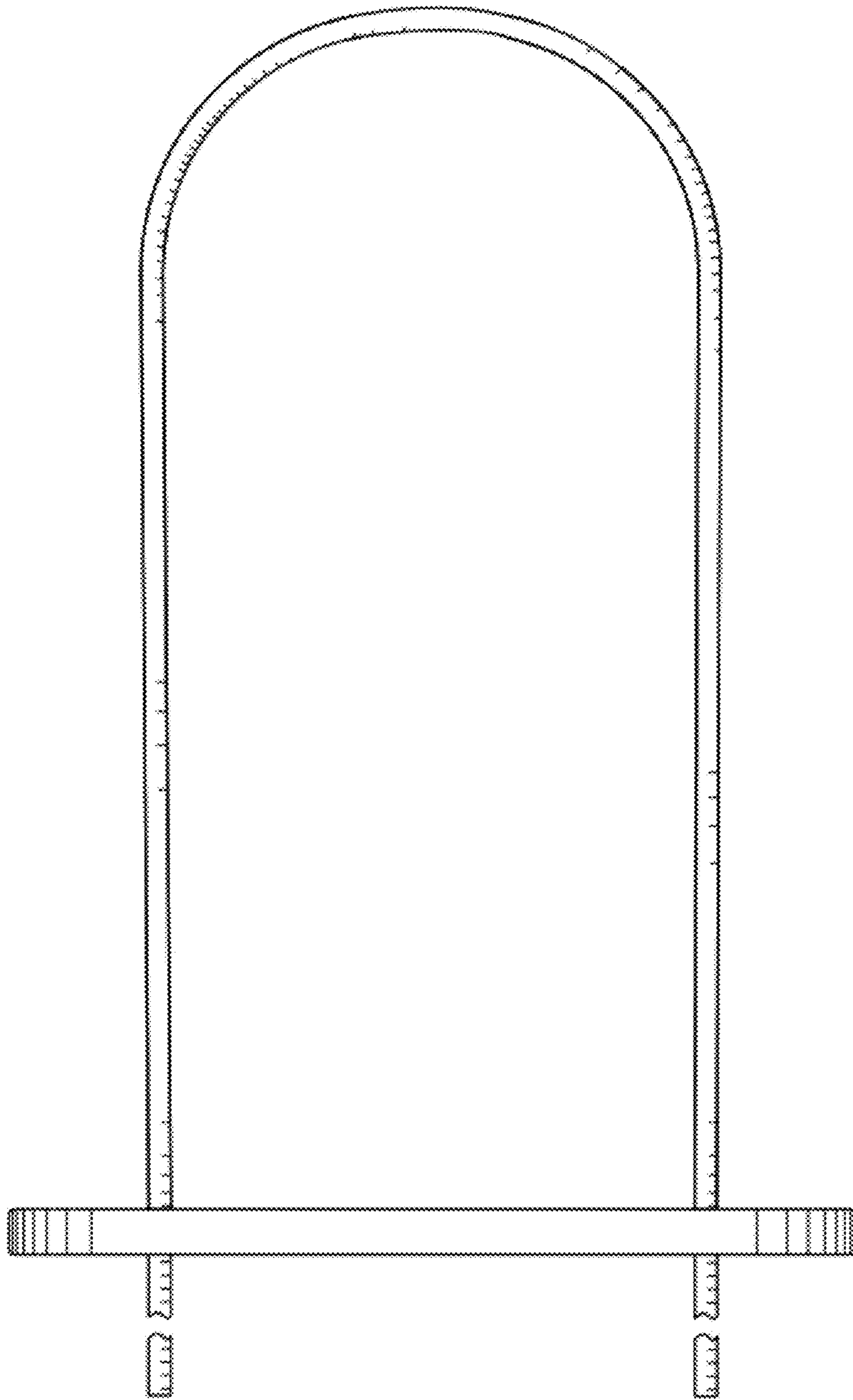


Fig. 6

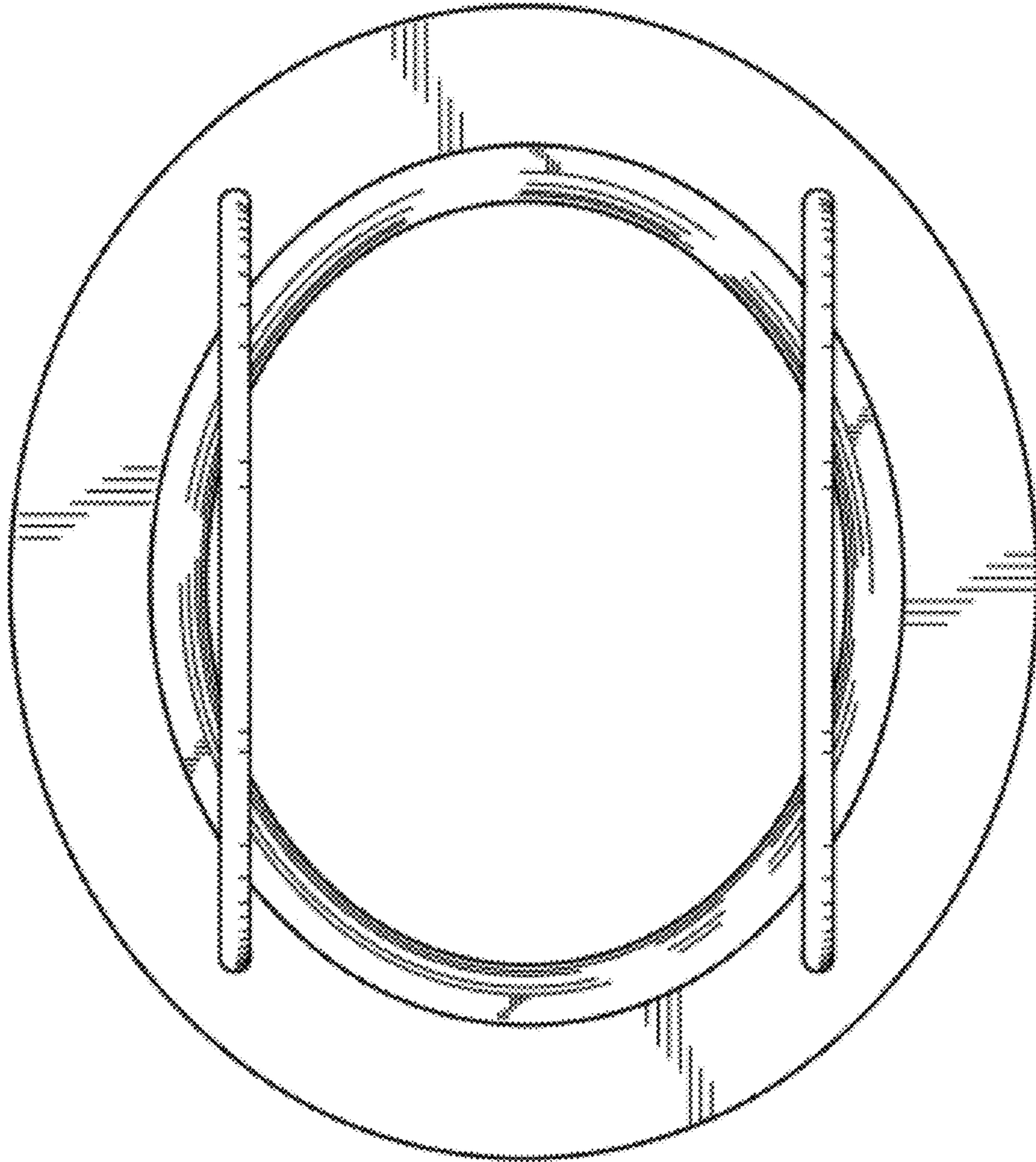


Fig. 7

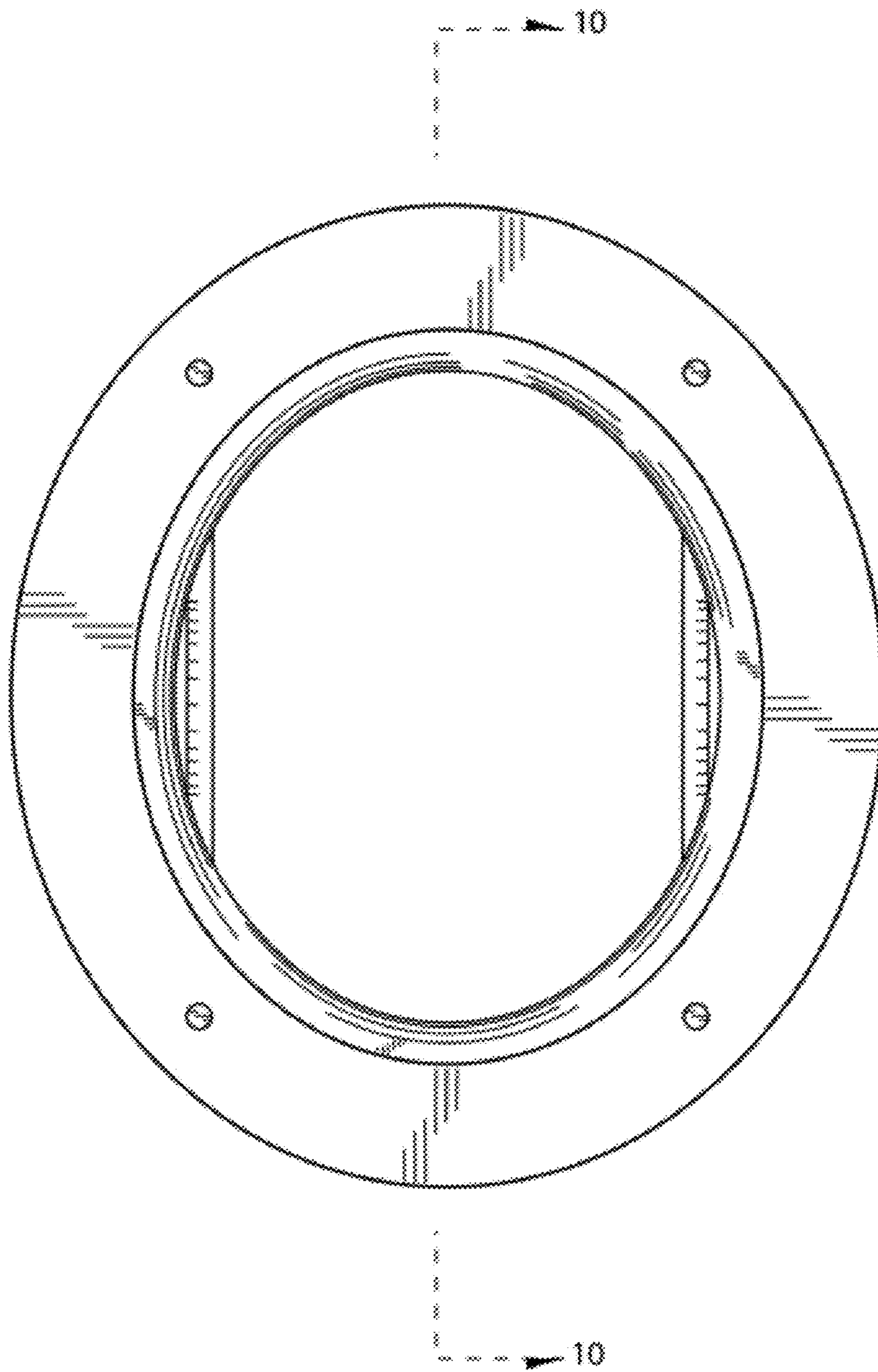


Fig. 8

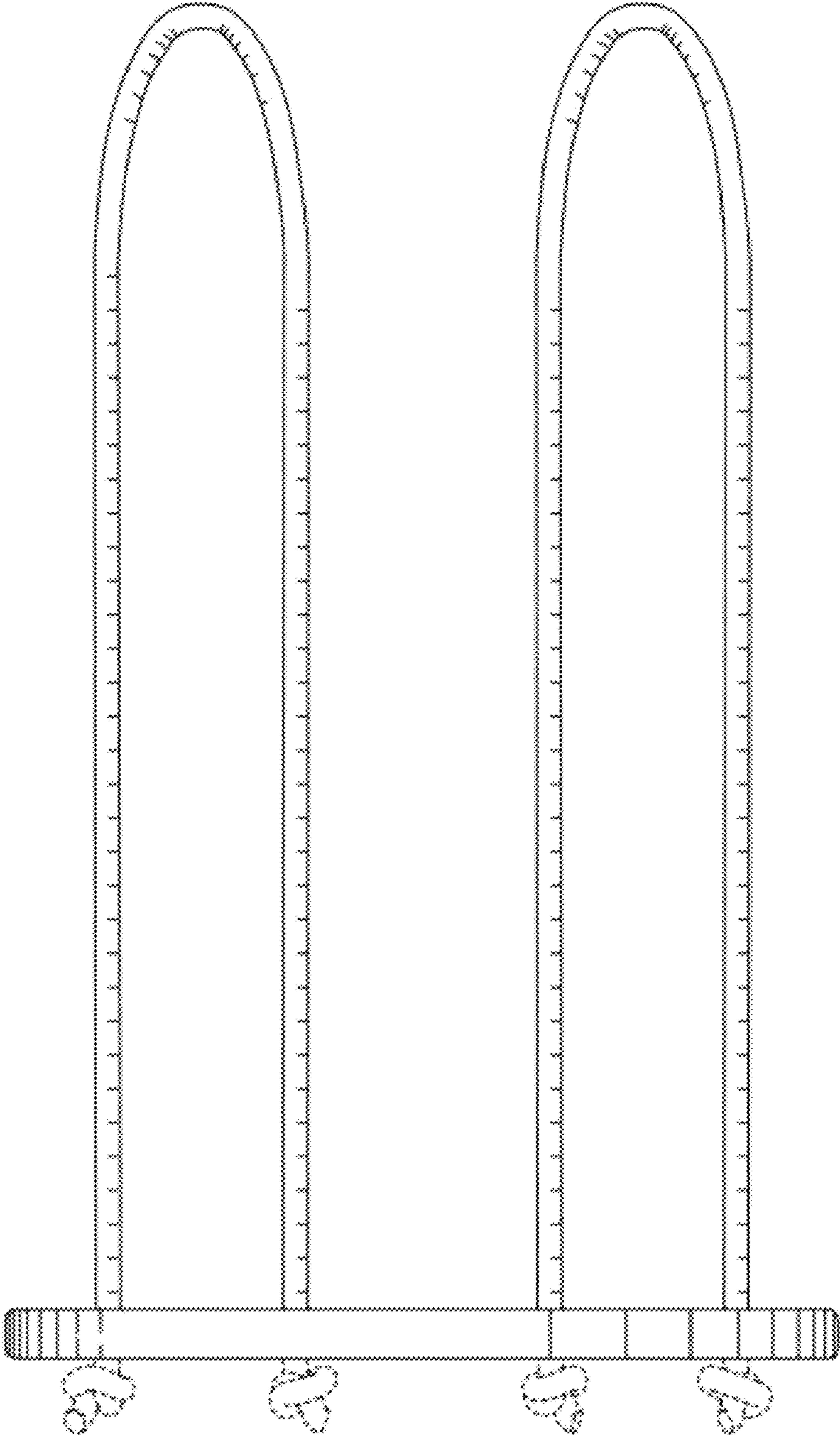


Fig. 9

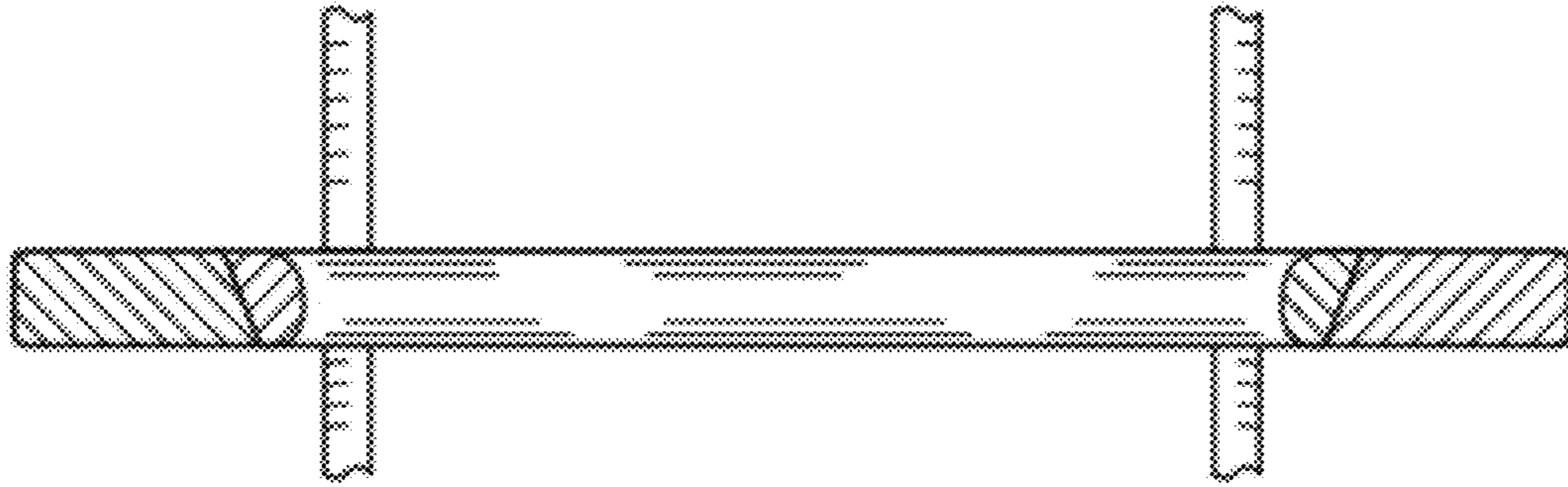


Fig. 10