



US00D667195S

(12) **United States Design Patent**
Guo

(10) **Patent No.:** **US D667,195 S**

(45) **Date of Patent:** **** Sep. 11, 2012**

- (54) **PORTABLE FIREPROOF SAFE**
- (76) Inventor: **Huang Liang Guo**, Shanghai (CN)
- (**) Term: **14 Years**
- (21) Appl. No.: **29/386,219**
- (22) Filed: **Feb. 25, 2011**
- (51) **LOC (9) Cl.** **99-00**
- (52) **U.S. Cl.** **D99/28; D99/35**
- (58) **Field of Classification Search** D99/28,
D99/34, 35, 36, 37, 43, 99; 109/1 V, 2, 1 R,
109/45; 902/9, 30; 235/100; 206/317, 527;
312/400, 409; D3/272, 273
See application file for complete search history.

- D516,769 S * 3/2006 Walker D99/28
- D517,770 S * 3/2006 Walker D99/28
- D549,425 S * 8/2007 Burns D99/35
- D558,977 S * 1/2008 Peart et al. D3/294
- D560,875 S * 1/2008 Decarlo et al. D99/28
- D561,994 S * 2/2008 Peart et al. D3/291
- D569,073 S * 5/2008 Osiecki et al. D99/28
- D570,074 S * 5/2008 Osiecki et al. D99/28
- D571,524 S * 6/2008 Kang et al. D99/28
- D572,425 S * 7/2008 Themistos D99/28
- D574,124 S * 7/2008 Huber D99/28
- D579,174 S * 10/2008 Decarlo et al. D99/28
- D624,275 S * 9/2010 Min D99/28
- D635,324 S * 3/2011 Plato D99/28

* cited by examiner

Primary Examiner — Elizabeth J Oswecki

(74) *Attorney, Agent, or Firm* — Niro, Haller & Niro
Clifford Kraft

(56) **References Cited**

U.S. PATENT DOCUMENTS

- 392,682 A * 11/1888 McNamara 220/8
- 706,231 A * 8/1902 Boldman 232/1 D
- 746,205 A * 12/1903 Valentine 232/4 R
- D37,432 S * 5/1905 Bailey D99/35
- 866,459 A * 9/1907 Gray 190/111
- 1,781,920 A * 11/1930 Fisher 232/4 R
- D89,549 S * 3/1933 Breck D99/35
- D96,304 S * 7/1935 Farber D99/35
- D160,255 S * 9/1950 Degner D99/35
- D164,251 S * 8/1951 Moran D6/314
- D176,959 S * 2/1956 Lesbowski D99/35
- D210,299 S * 2/1968 Collins D99/35
- D247,728 S * 4/1978 Nichols D6/559
- D256,511 S * 8/1980 Atkin D99/35
- D281,368 S * 11/1985 Catelli D99/35
- D288,379 S * 2/1987 Kuhlmann D99/35
- D308,279 S * 5/1990 Hill D99/35
- D459,857 S * 7/2002 Stoneberg D99/28
- D484,669 S * 12/2003 Robinson D99/35
- D493,936 S * 8/2004 Perella et al. D99/28
- D503,024 S * 3/2005 Perella et al. D99/28
- D503,503 S * 3/2005 Perella et al. D99/28
- D504,990 S * 5/2005 Perella et al. D99/28
- D511,035 S * 10/2005 Perella et al. D99/28
- D516,768 S * 3/2006 Walker D99/28

(57) **CLAIM**

The ornamental design for the portable fireproof safe, as shown and described.

DESCRIPTION

FIG. 1 is a top view of a portable fireproof safe showing my new design.

FIG. 2 is a bottom view thereof.

FIG. 3 is a front view thereof.

FIG. 4 is a back view thereof.

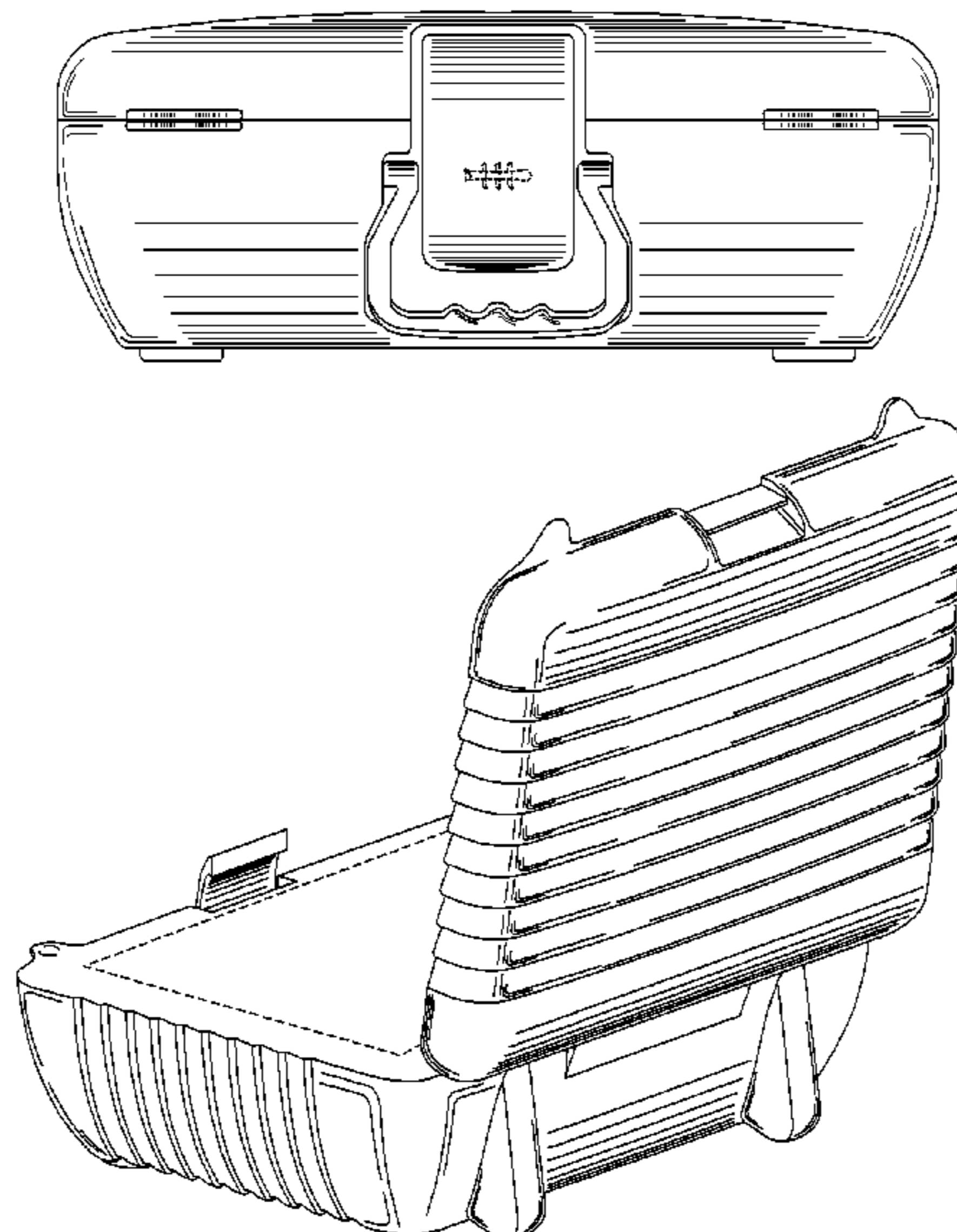
FIG. 5 is a side view thereof.

FIG. 6 is a front perspective view thereof, with the portable fireproof safe shown in an open position; and,

FIG. 7 is a rear perspective view thereof, with the portable fireproof safe shown in an open position.

In the drawings, the broken lines illustrating a rectangle inside the safe in FIGS. 6 and 7 depict the boundaries of the design that form no part of the claim. All other broken lines represent portions of the fire proof safe that form no part of the claimed design.

1 Claim, 7 Drawing Sheets



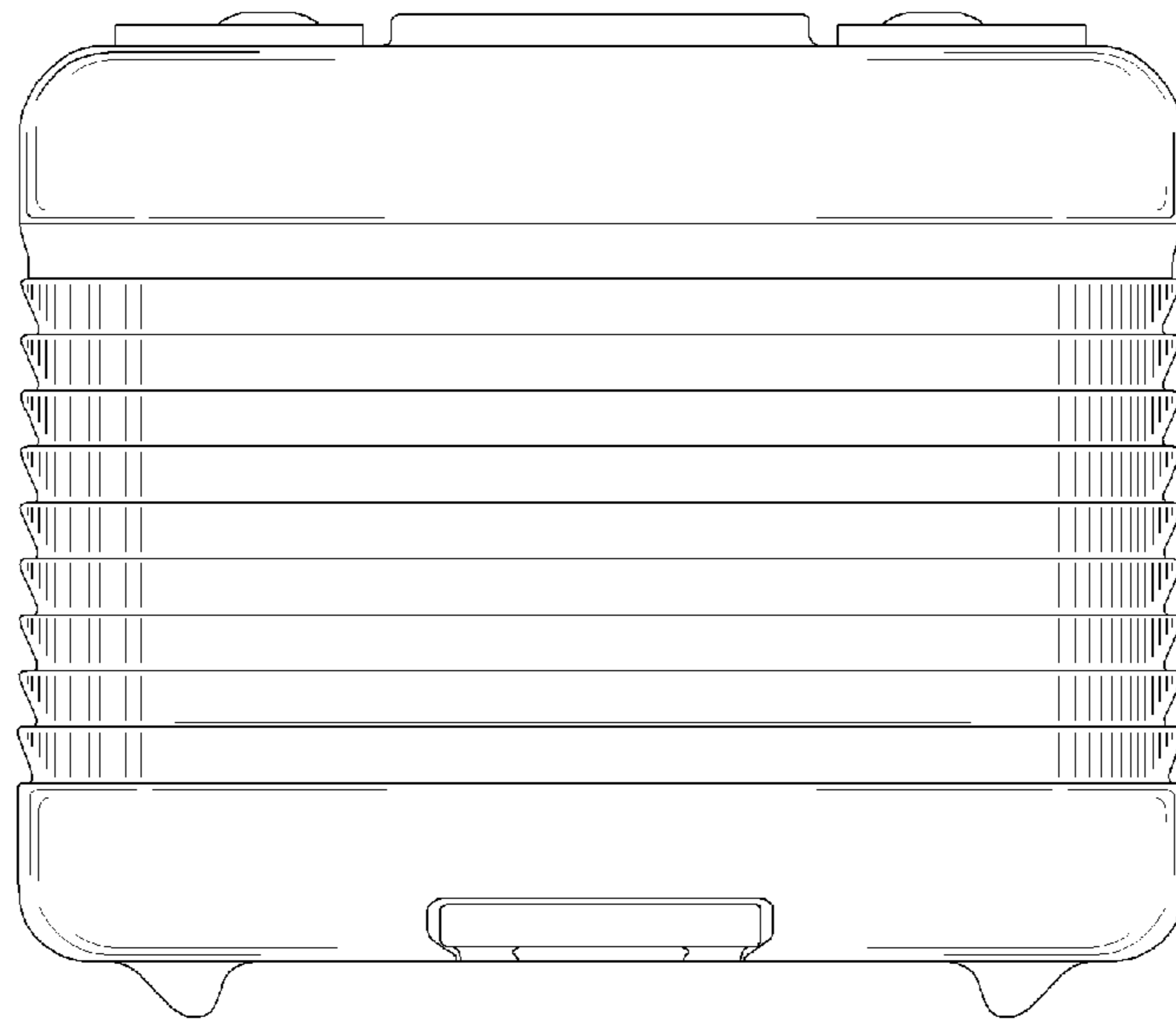


FIG. 1

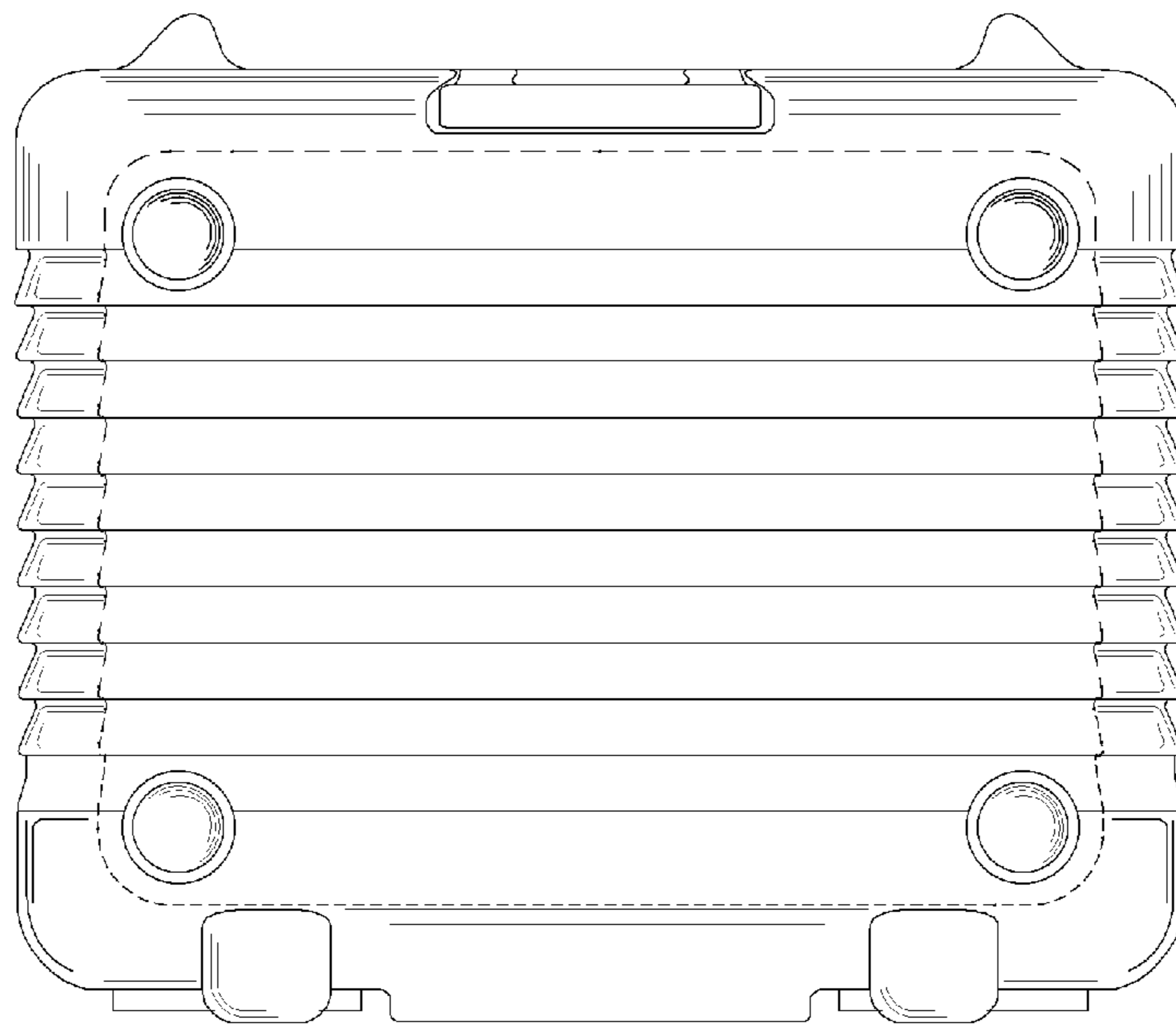


FIG. 2

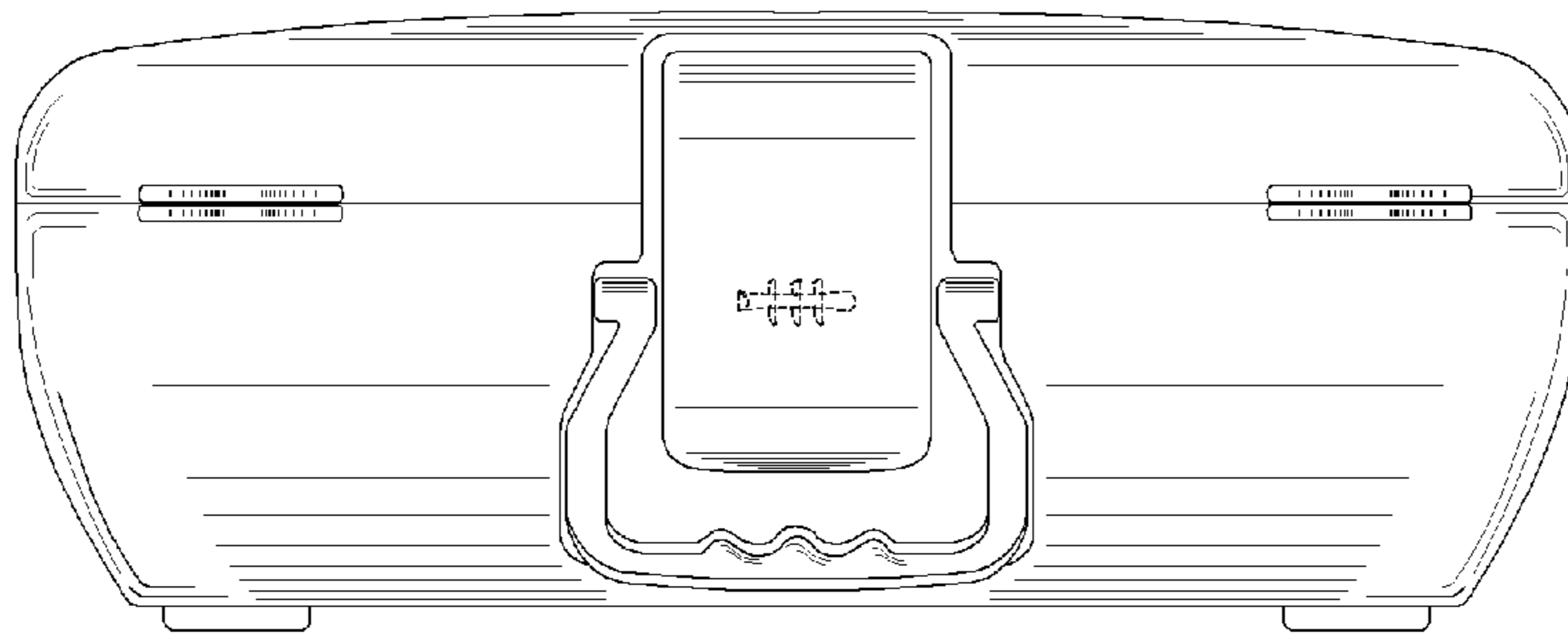


FIG. 3

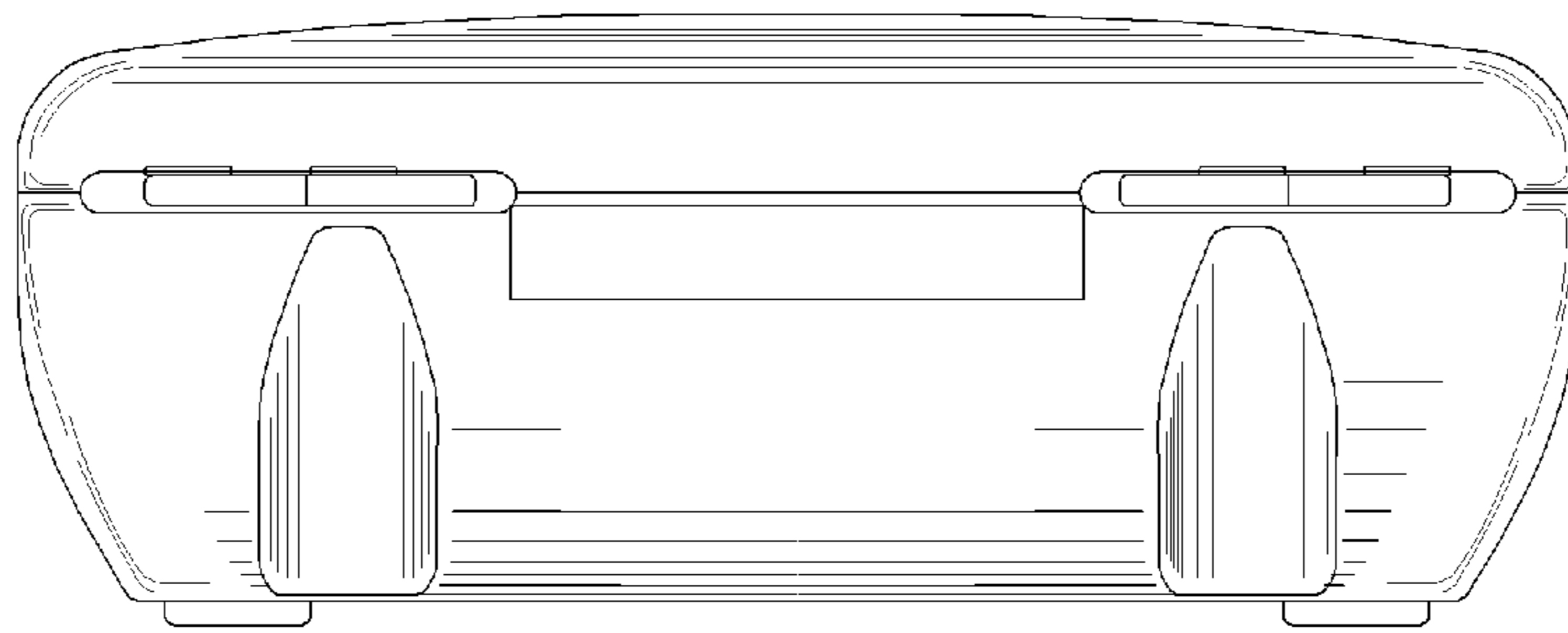


FIG. 4

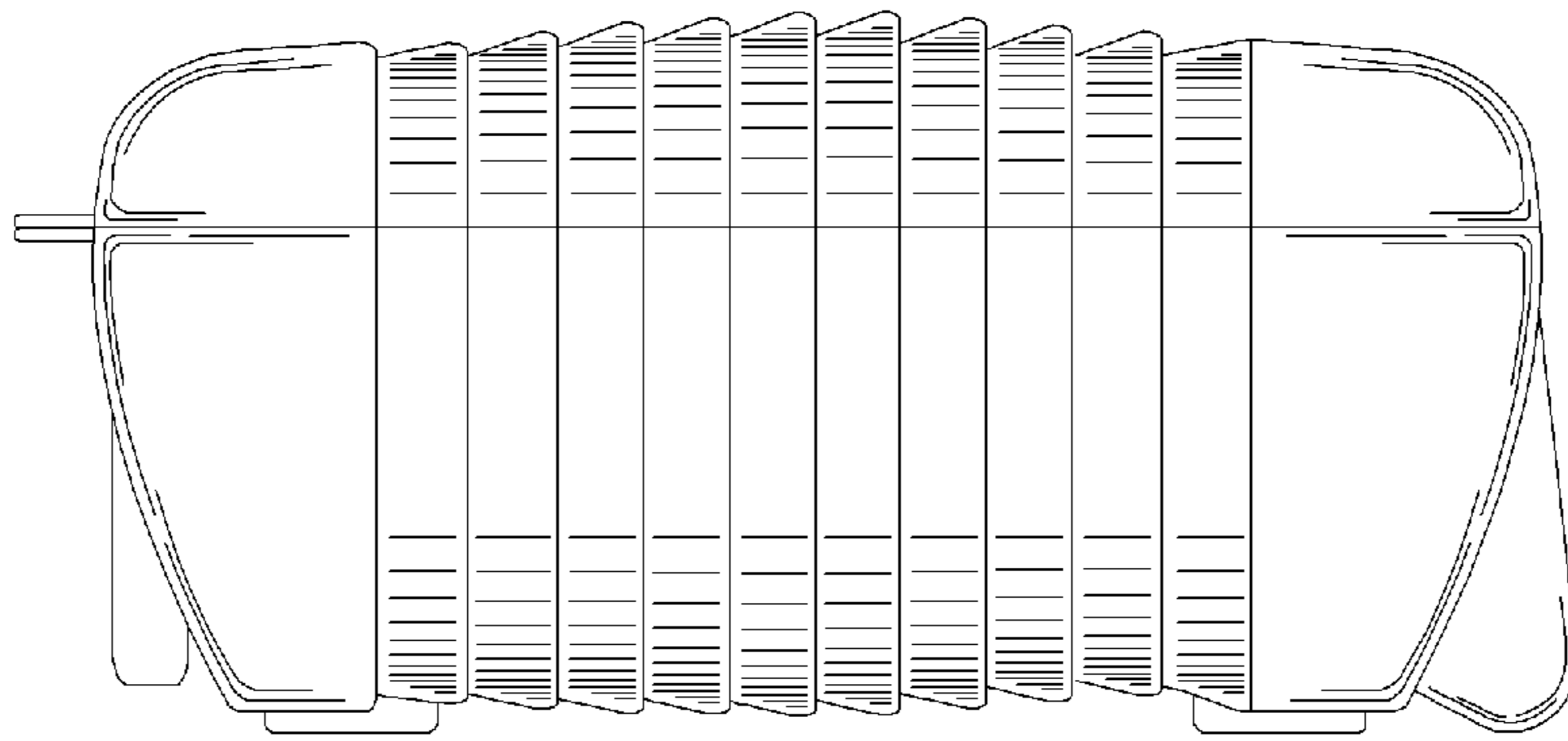


FIG. 5

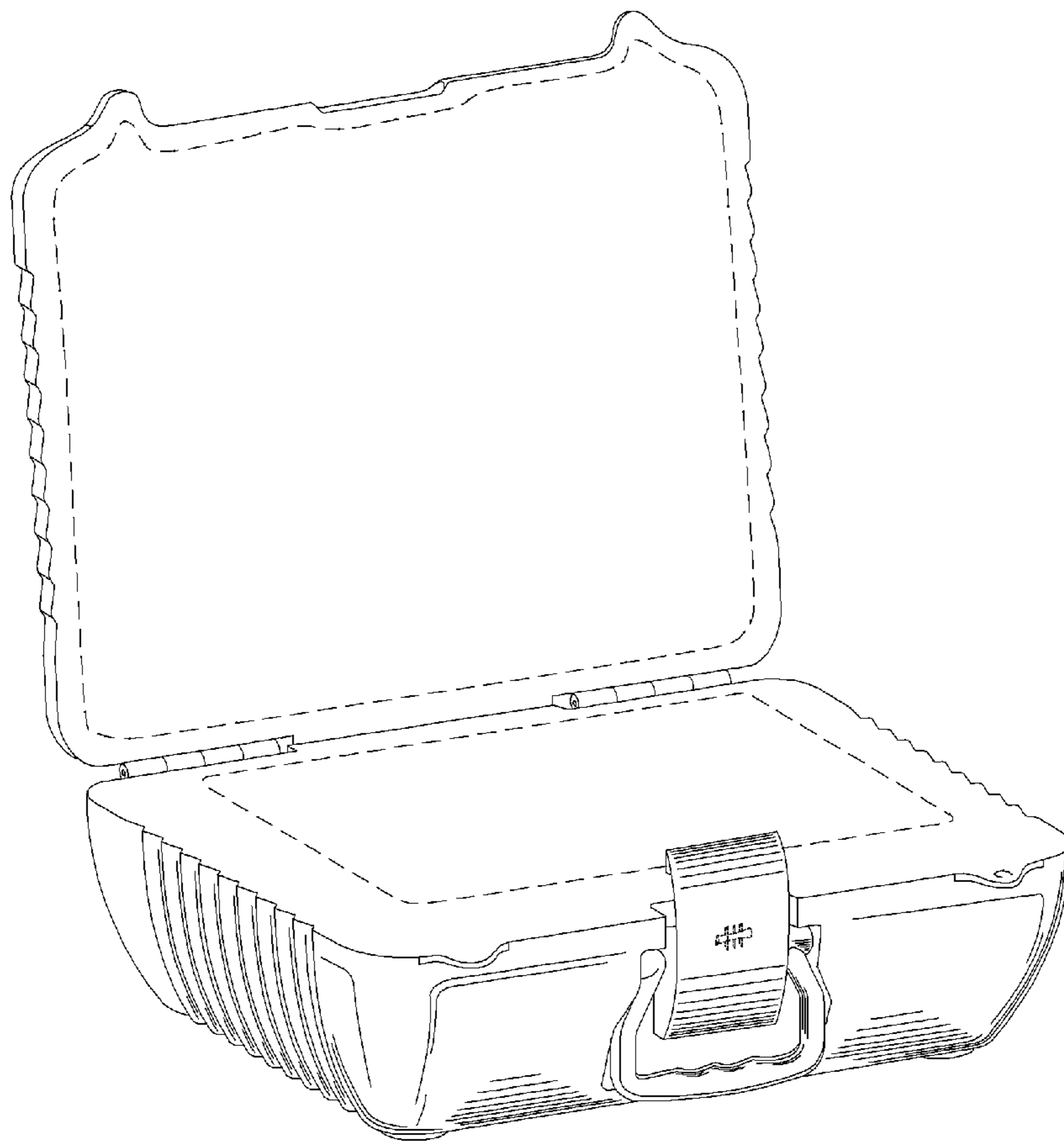


FIG. 6

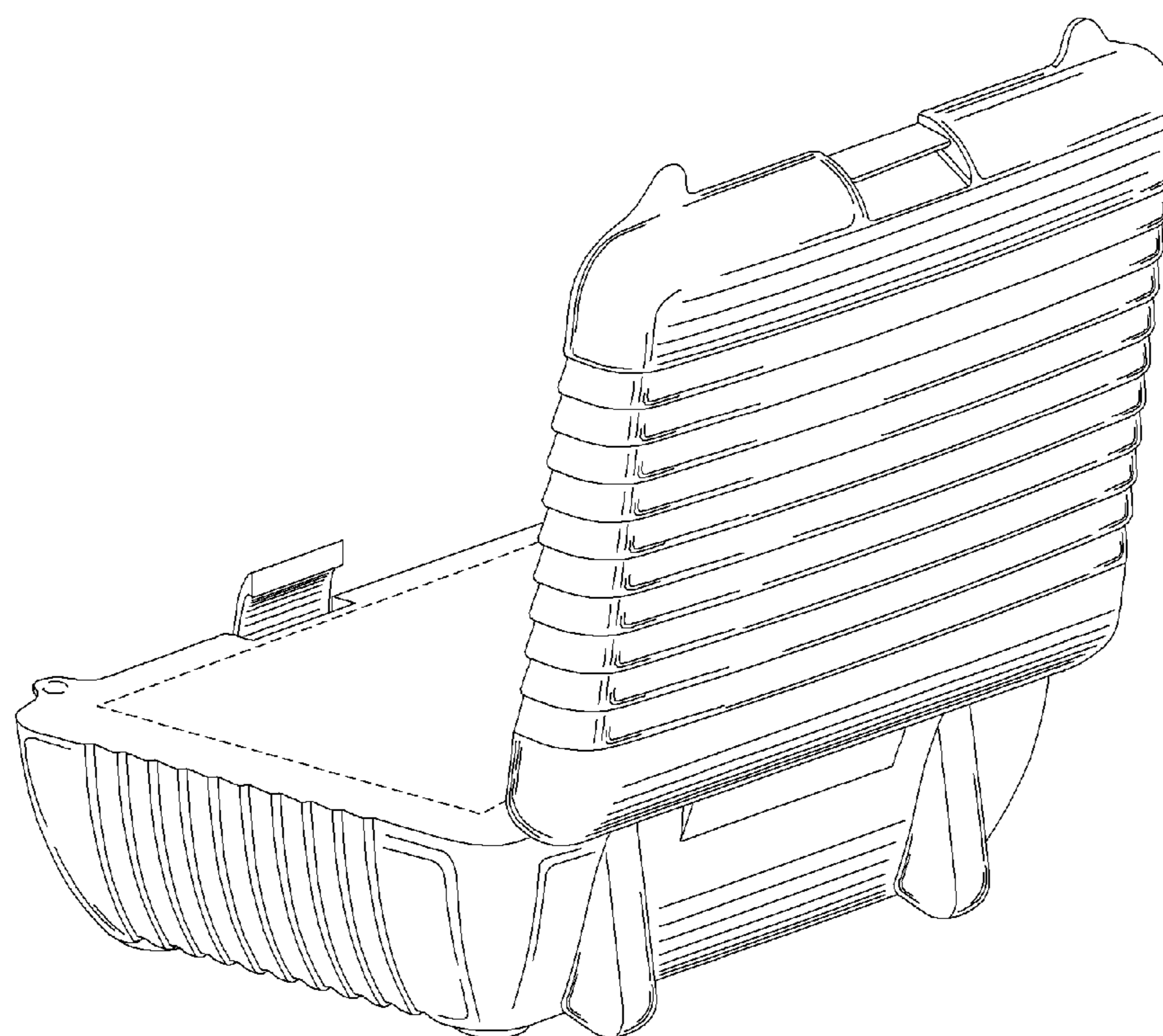


FIG. 7