



US00D667188S

(12) **United States Design Patent**  
**Berti et al.**

(10) **Patent No.:** **US D667,188 S**

(45) **Date of Patent:** **\*\* Sep. 11, 2012**

(54) **MOP**

(75) Inventors: **Enzo Berti**, Pianiga (IT); **Roberto Pellacini**, Torrechiaro Langhirano (IT)

(73) Assignee: **The Libman Company**, Arcola, IL (US)

(\*\*) Term: **14 Years**

(21) Appl. No.: **29/383,182**

(22) Filed: **Jan. 13, 2011**

(51) **LOC (9) Cl.** ..... **04-01**

(52) **U.S. Cl.** ..... **D32/50; D32/52**

(58) **Field of Classification Search** ..... D32/50–52,  
D32/40, 44, 45; 473/301, 302; 15/143.1,  
15/119.2, 120.1, 120.2, 116.1, 116.2, 150,  
15/209.1–210.1; 401/137–140  
See application file for complete search history.

(56) **References Cited**

**U.S. PATENT DOCUMENTS**

1,709,622	A *	4/1929	Justis	.....	15/120.2
2,046,164	A *	6/1936	Herkner	.....	473/302
2,521,445	A *	9/1950	Brown	.....	15/119.1
5,060,338	A *	10/1991	Yates et al.	.....	15/119.2
5,509,163	A *	4/1996	Morad	.....	15/120.2
5,675,858	A *	10/1997	von Meyer	.....	15/119.1
D387,526	S *	12/1997	Berti et al.	.....	D32/51
5,819,356	A *	10/1998	Cann	.....	15/120.1
5,890,253	A *	4/1999	Morad	.....	15/120.1
D411,780	S *	7/1999	Muller	.....	D7/393
6,085,378	A *	7/2000	Petner	.....	15/119.1
6,108,848	A *	8/2000	Monahan	.....	15/119.1
6,240,589	B1 *	6/2001	Specht	.....	15/120.2
D474,869	S	5/2003	Libman	.....	

6,625,838	B2 *	9/2003	Laux et al.	.....	15/120.2
6,920,664	B2	7/2005	Libman et al.	.....	
7,089,622	B2 *	8/2006	Sampaio	.....	15/120.2
D588,319	S *	3/2009	Berti et al.	.....	D32/51
7,520,018	B2	4/2009	Libman et al.	.....	
D597,271	S *	7/2009	Lesley	.....	D32/52
D622,018	S *	8/2010	Renner	.....	D32/50
D642,761	S *	8/2011	Weaver et al.	.....	D32/50
8,011,055	B2 *	9/2011	Lesley	.....	15/119.1
2002/0133892	A1 *	9/2002	Monahan	.....	15/119.1
2003/0084530	A1 *	5/2003	Specht	.....	15/120.2
2004/0006836	A1 *	1/2004	Dingert	.....	15/120.1
2004/0128783	A1 *	7/2004	Lesley et al.	.....	15/120.1
2009/0165232	A1	7/2009	Libman	.....	

\* cited by examiner

*Primary Examiner* — John Windmuller

(74) *Attorney, Agent, or Firm* — Banner & Witcoff, Ltd.

(57) **CLAIM**

The ornamental design for a mop, as shown and described.

**DESCRIPTION**

FIG. 1 is a top, front, right perspective view of a mop showing our new design;

FIG. 2 is a front view thereof;

FIG. 3 is a right side view thereof;

FIG. 4 is a rear view thereof;

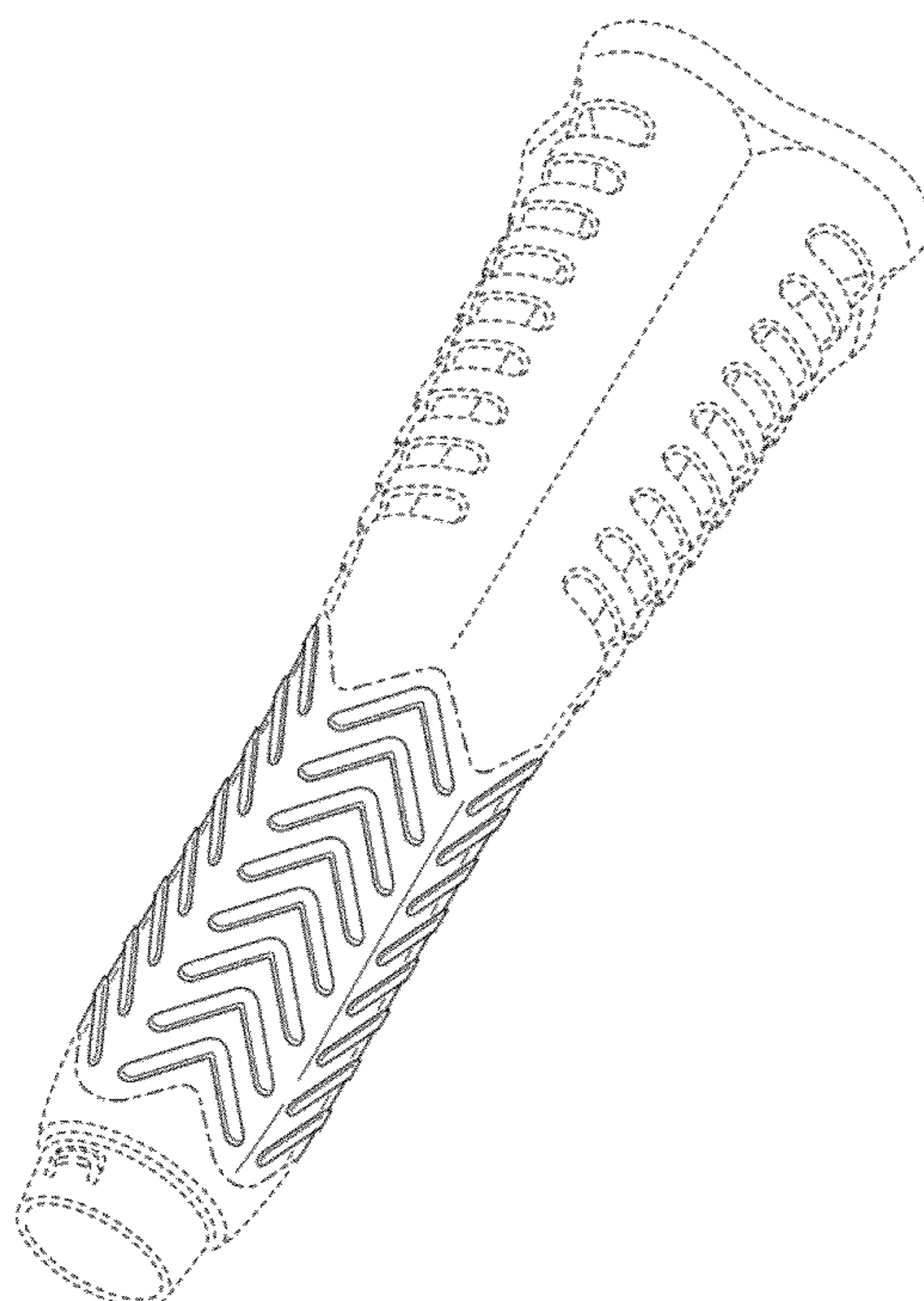
FIG. 5 is a left side view thereof;

FIG. 6 is a top view thereof; and,

FIG. 7 is a bottom view thereof.

The uneven-length broken lines represent unclaimed boundaries of the claimed design. The even-length broken lines showing the remainder of the mop are for environmental purposes only and form no part of the claimed design.

**1 Claim, 6 Drawing Sheets**



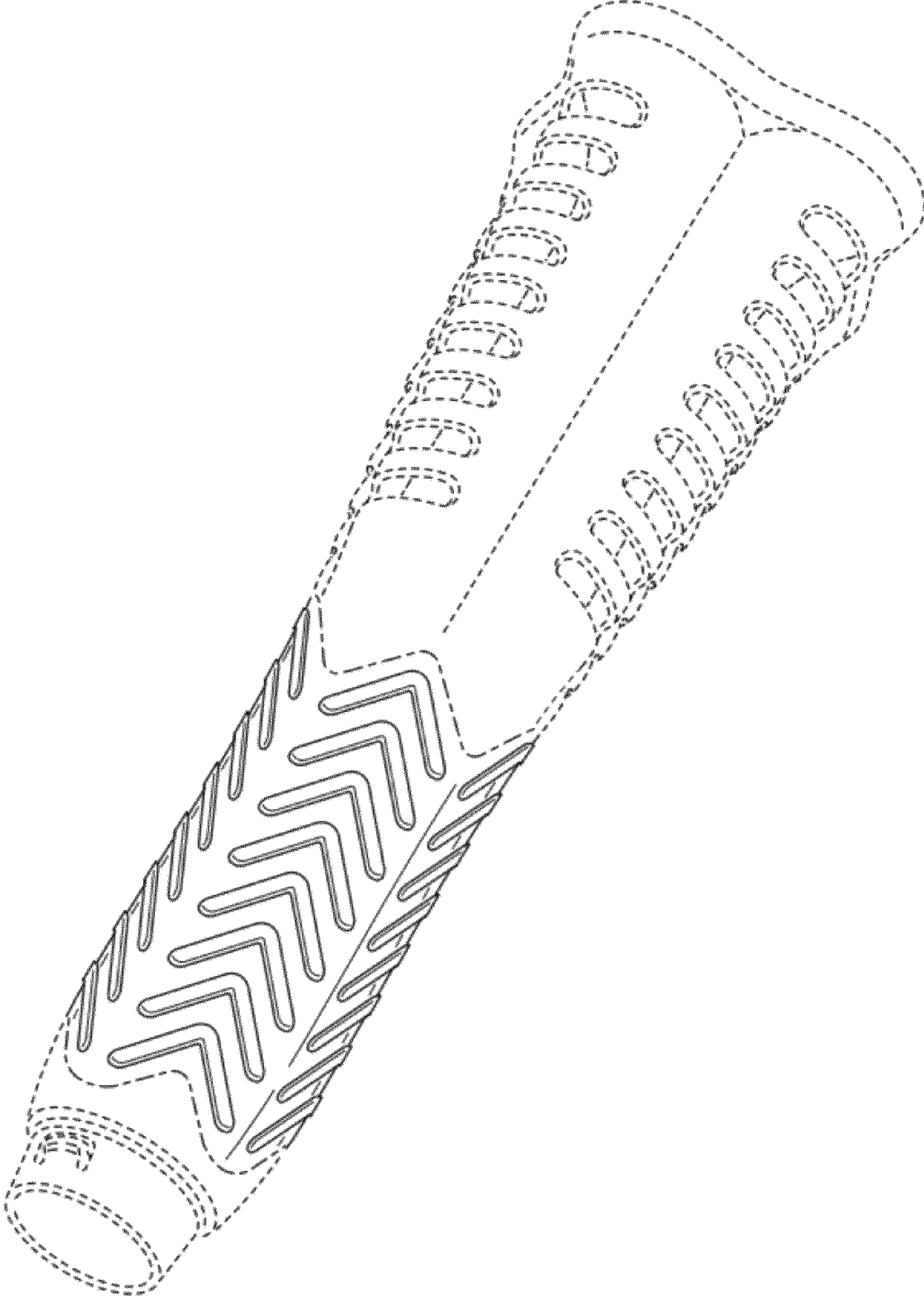


FIG. 1

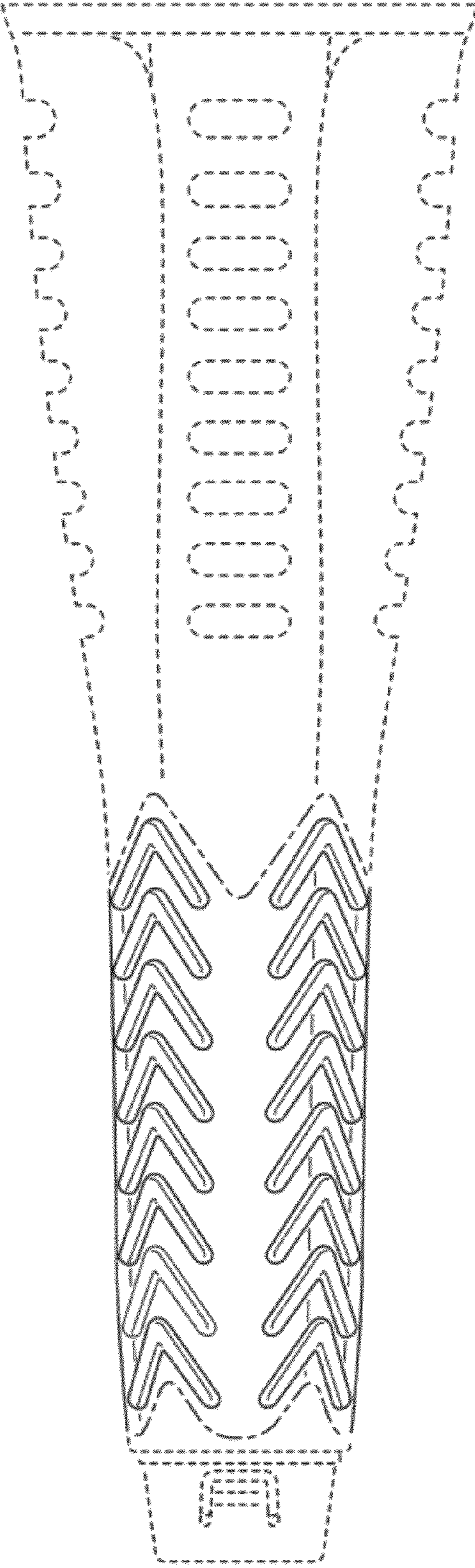


FIG. 2

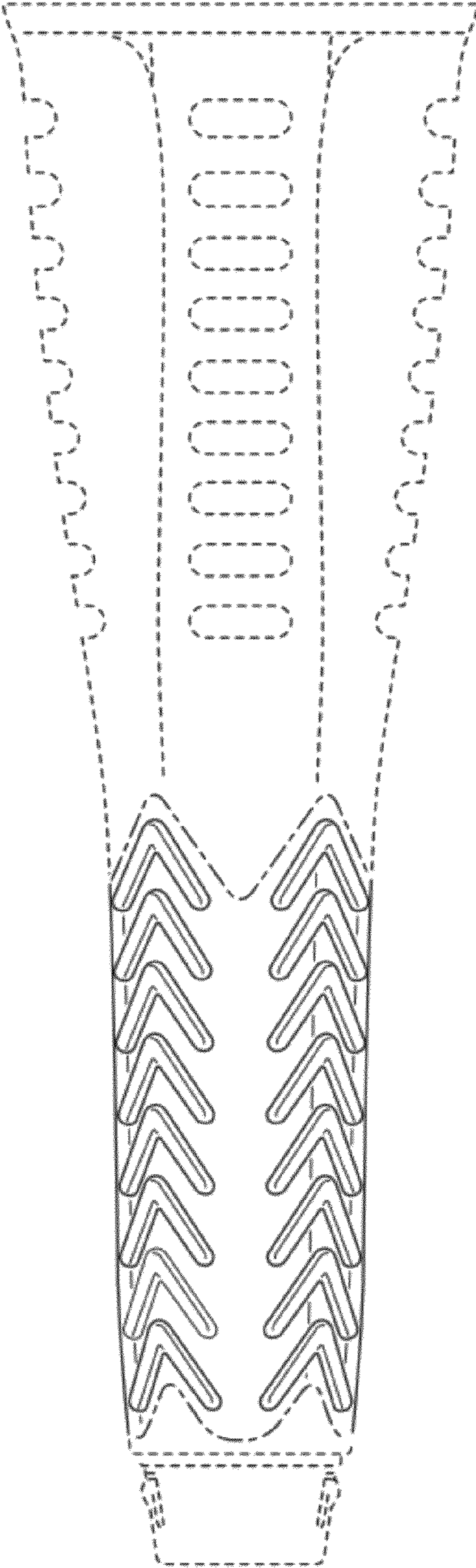


FIG. 3

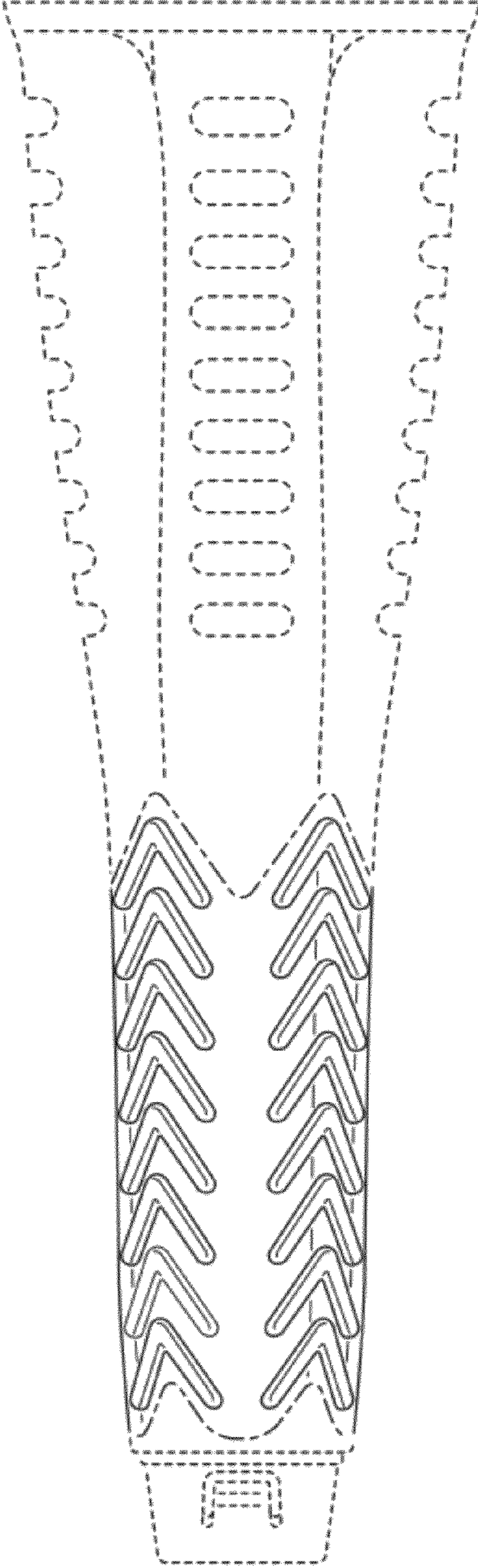


FIG. 4

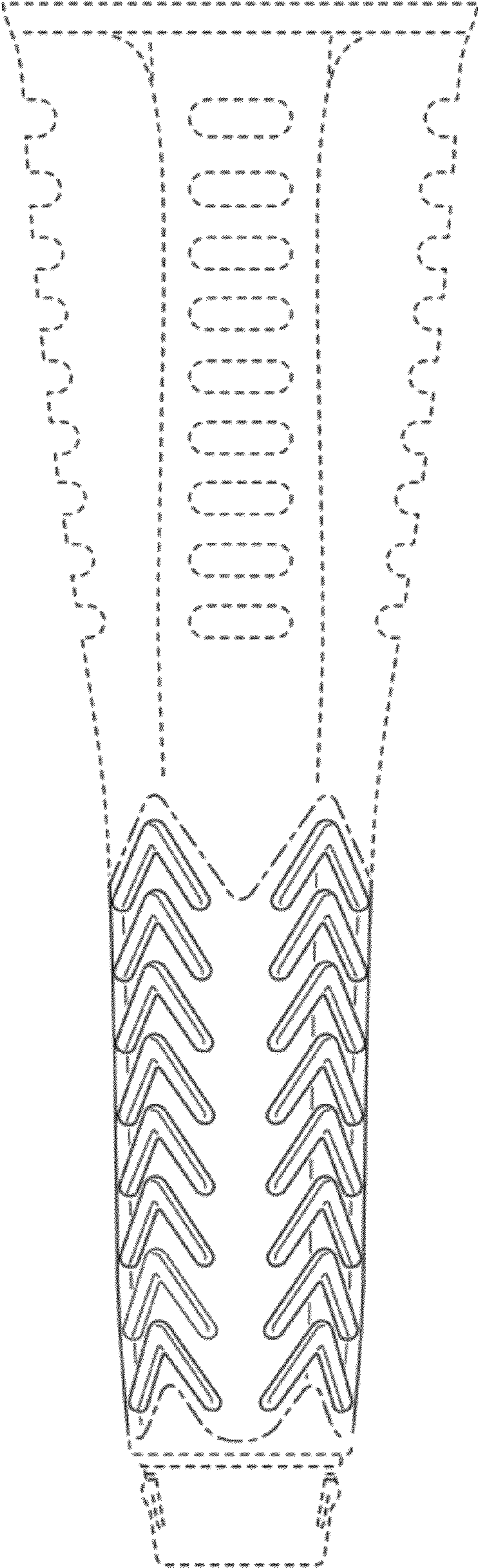


FIG. 5

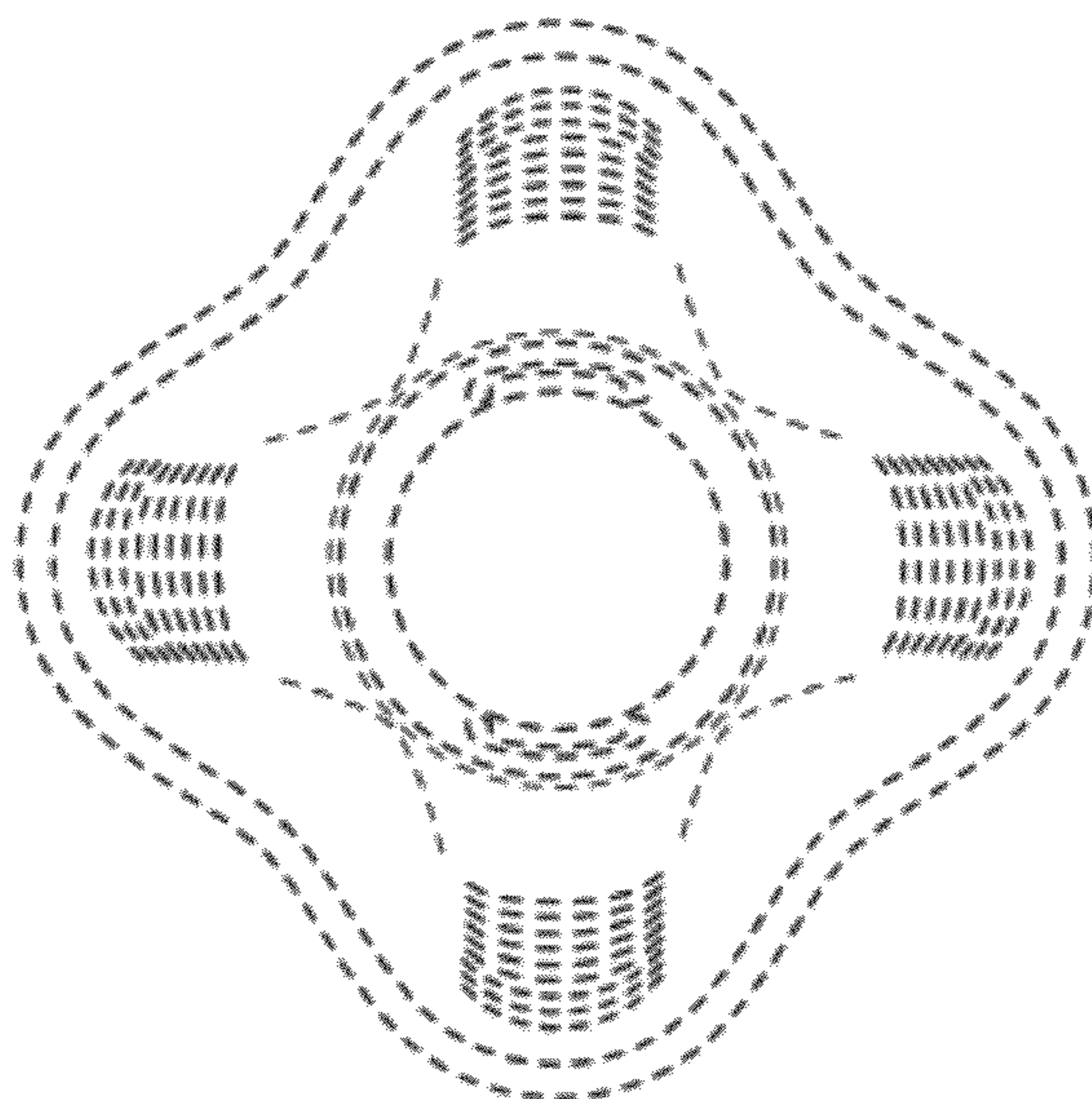


FIG. 6

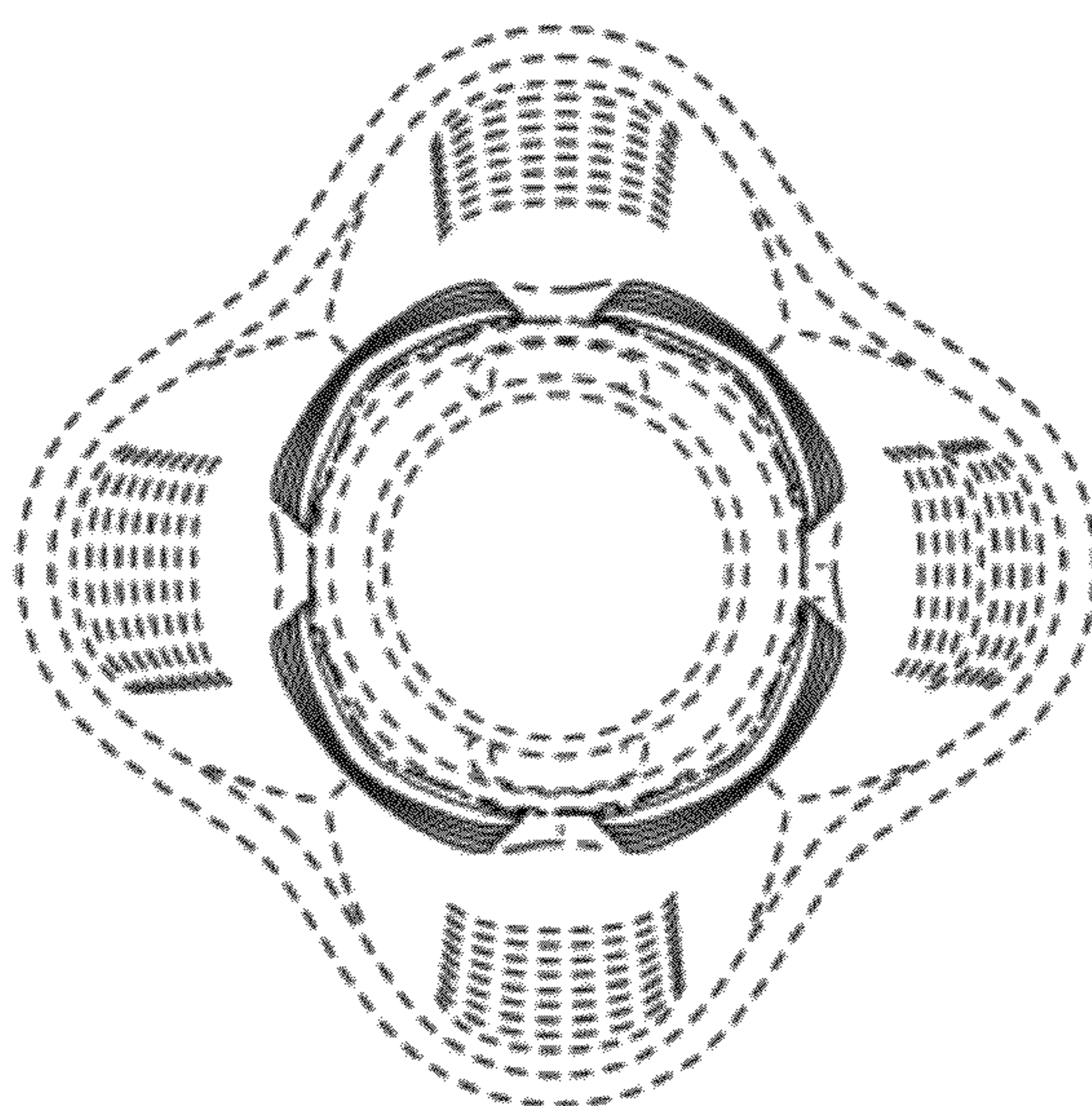


FIG. 7