



US00D667187S

(12) **United States Design Patent**
Sowinski et al.

(10) **Patent No.:** **US D667,187 S**
(45) **Date of Patent:** **** Sep. 11, 2012**

(54) **CLEANING DEVICE**

(75) Inventors: **Brian Sowinski**, Arcola, IL (US); **Tobia Berti**, Venice (IT)

(73) Assignee: **The Libman Company**, Arcola, IL (US)

(**) Term: **14 Years**

(21) Appl. No.: **29/402,181**

(22) Filed: **Sep. 21, 2011**

(51) **LOC (9) Cl.** **04-01**

(52) **U.S. Cl.** **D32/40**

(58) **Field of Classification Search** D32/40-45,
D32/50; 15/208, 209.1, 228, 244.1-244.4
See application file for complete search history.

(56) **References Cited**

U.S. PATENT DOCUMENTS

467,624	A *	1/1892	Smith	15/208
2,194,364	A *	3/1940	Minor	428/159
4,154,883	A *	5/1979	Elias	428/171
D379,697	S	6/1997	Freudenberg et al.	
D379,698	S	6/1997	Freudenberg et al.	
D392,433	S	3/1998	Norris	
D396,907	S	8/1998	Donnelly	
5,836,034	A *	11/1998	Galvan Garza	15/118
D405,927	S	2/1999	Mallios	
D406,681	S	3/1999	Kelly et al.	
D417,354	S	12/1999	Valenti	
D421,514	S	3/2000	Camp, Jr. et al.	
D429,437	S	8/2000	Valenti	
D435,949	S	1/2001	Denney	
D436,702	S	1/2001	Denney	
D437,972	S	2/2001	Harty et al.	
D439,386	S	3/2001	Denney	
D446,367	S	8/2001	Denney	
D446,616	S	8/2001	Denney	
D447,297	S	8/2001	Denney	
D447,299	S	8/2001	Denney	
D447,300	S	8/2001	Denney	
D447,610	S	9/2001	Denney	
D450,165	S	11/2001	Osiecki et al.	
D451,656	S	12/2001	Denney	

D452,053	S	12/2001	Denney
D456,575	S	4/2002	Celia et al.
D456,577	S	4/2002	Giallourakis
D456,970	S	5/2002	Giallourakis
D462,818	S	9/2002	Haro
D464,472	S	10/2002	Haro
D473,027	S	4/2003	Pecaut
D476,785	S	7/2003	Chezzi
D477,700	S	7/2003	Chezzi
D480,852	S	10/2003	Farce
D483,916	S	12/2003	Crosswaite

(Continued)

OTHER PUBLICATIONS

“Mr. Clean Magic Eraser Extra Power,” http://www.mrclean.com/en_US/magic-eraser-extra-power.do, published date unknown, but prior to the filing date of the present application.

(Continued)

Primary Examiner — Robin V Webster

(74) *Attorney, Agent, or Firm* — Banner & Witcoff, Ltd.

(57) **CLAIM**

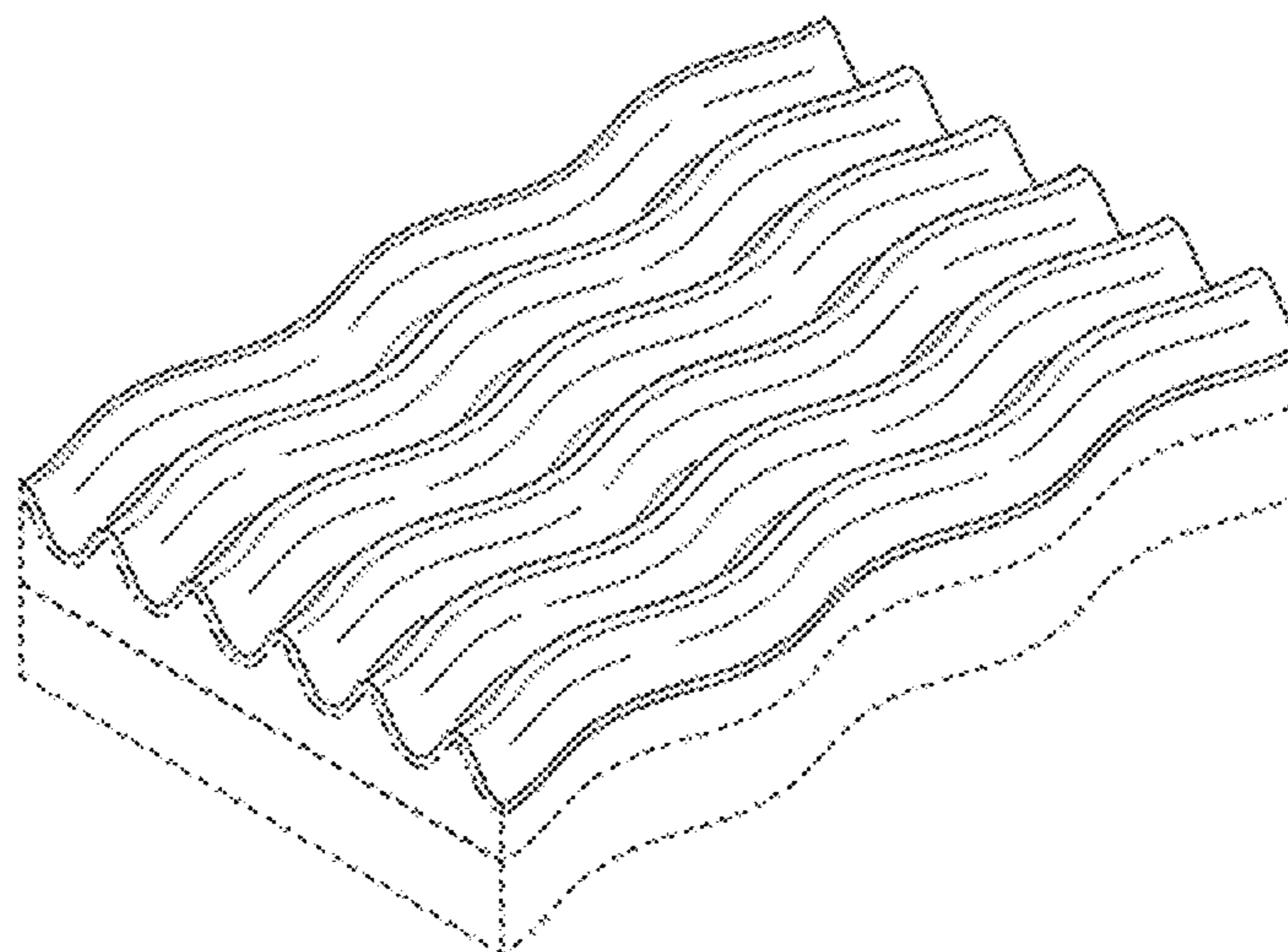
The ornamental design for a cleaning device, as shown and described.

DESCRIPTION

FIG. 1 is a top, front, right perspective view of a cleaning device showing our new design; FIG. 2 is a top view thereof; FIG. 3 is a front view thereof; FIG. 4 is a rear view thereof; FIG. 5 is a right side view thereof; FIG. 6 is a left side view thereof; and, FIG. 7 is a bottom view thereof.

The broken lines immediately adjacent to the shaded area represent unclaimed boundaries of the design. The broken lines showing the remainder of the cleaning device are for environmental purposes only and form no part of the claimed design.

1 Claim, 5 Drawing Sheets



US D667,187 S

Page 2

U.S. PATENT DOCUMENTS

D495,842 S 9/2004 Minkley et al.
D497,092 S 10/2004 McCarthy
D498,337 S 11/2004 Minkley et al.
D499,542 S 12/2004 Nanda
D505,528 S 5/2005 Burt et al.
D506,299 S 6/2005 Chumley
D506,587 S 6/2005 Armaly, Jr.
D509,935 S 9/2005 Burt
D514,761 S 2/2006 Seregni et al.
D516,762 S 3/2006 Young
D525,403 S 7/2006 Olsson et al.
D527,974 S 9/2006 Petersen et al.
7,210,188 B1 * 5/2007 Kirby 15/244.4
D550,913 S 9/2007 D'Estais
D556,966 S * 12/2007 Herbrand et al. D32/40
D569,565 S 5/2008 Leahy et al.
D570,062 S 5/2008 Berryman
D571,515 S 6/2008 Krause et al.
D571,516 S 6/2008 Leahy et al.
D578,717 S 10/2008 Trueheart
D578,718 S * 10/2008 Bettanin D32/40
7,454,813 B2 * 11/2008 Kaltenecker 15/244.1
D587,416 S 2/2009 Ashe
D588,766 S 3/2009 Dunshee et al.
D589,220 S 3/2009 Leahy et al.

D589,665 S 3/2009 Kwapis
D590,555 S 4/2009 Dunshee et al.
D591,018 S * 4/2009 Bogaerts et al. D32/40
D602,665 S 10/2009 Porcini et al.
D604,469 S 11/2009 Rolstad et al.
D606,718 S 12/2009 Leahy et al.
D610,321 S 2/2010 Leahy et al.
D610,753 S * 2/2010 Moskowitz D30/158
D623,371 S 9/2010 Li
D625,063 S 10/2010 Armaly, Jr.
D634,495 S * 3/2011 Dunshee et al. D32/40
D641,527 S * 7/2011 Regnier et al. D32/40
D657,925 S * 4/2012 Luipold D32/40
2007/0061991 A1 3/2007 Gonzales et al.
2009/0276971 A1 11/2009 Nozari

OTHER PUBLICATIONS

“Mr. Clean Magic Eraser Bath Scrubber,” http://www.mrclean.com/en_US/magic-eraser-bath-scrubber-with-febreze.do, published date unknown, but prior to the filing date of the present application.

“Mr. Clean Magic Eraser Kitchen Scrubber,” http://www.mrclean.com/en_US/magic-eraser-kitchen-scrubber.do, published date unknown, but prior to the filing date of the present application.

* cited by examiner

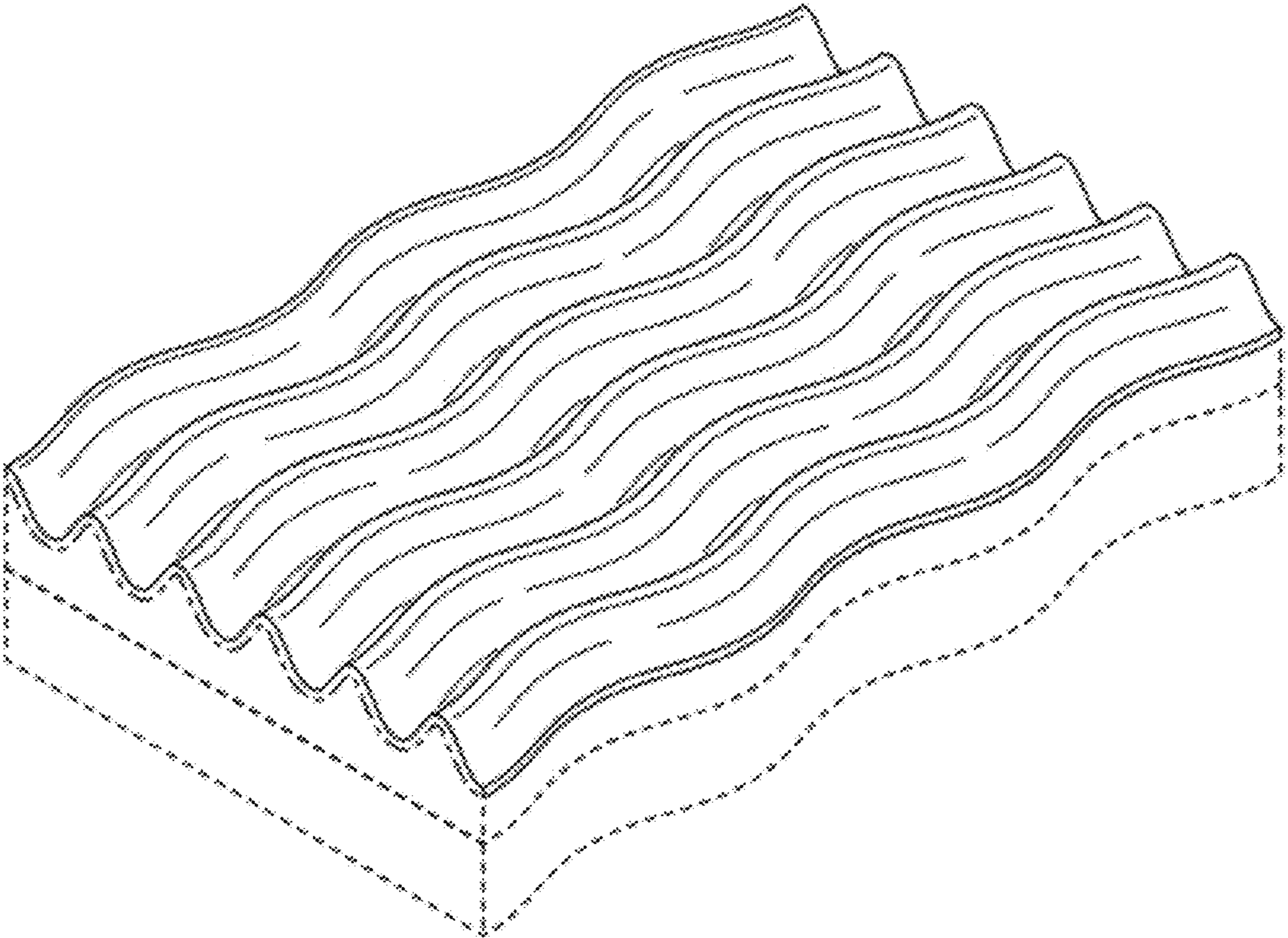


FIG. 1

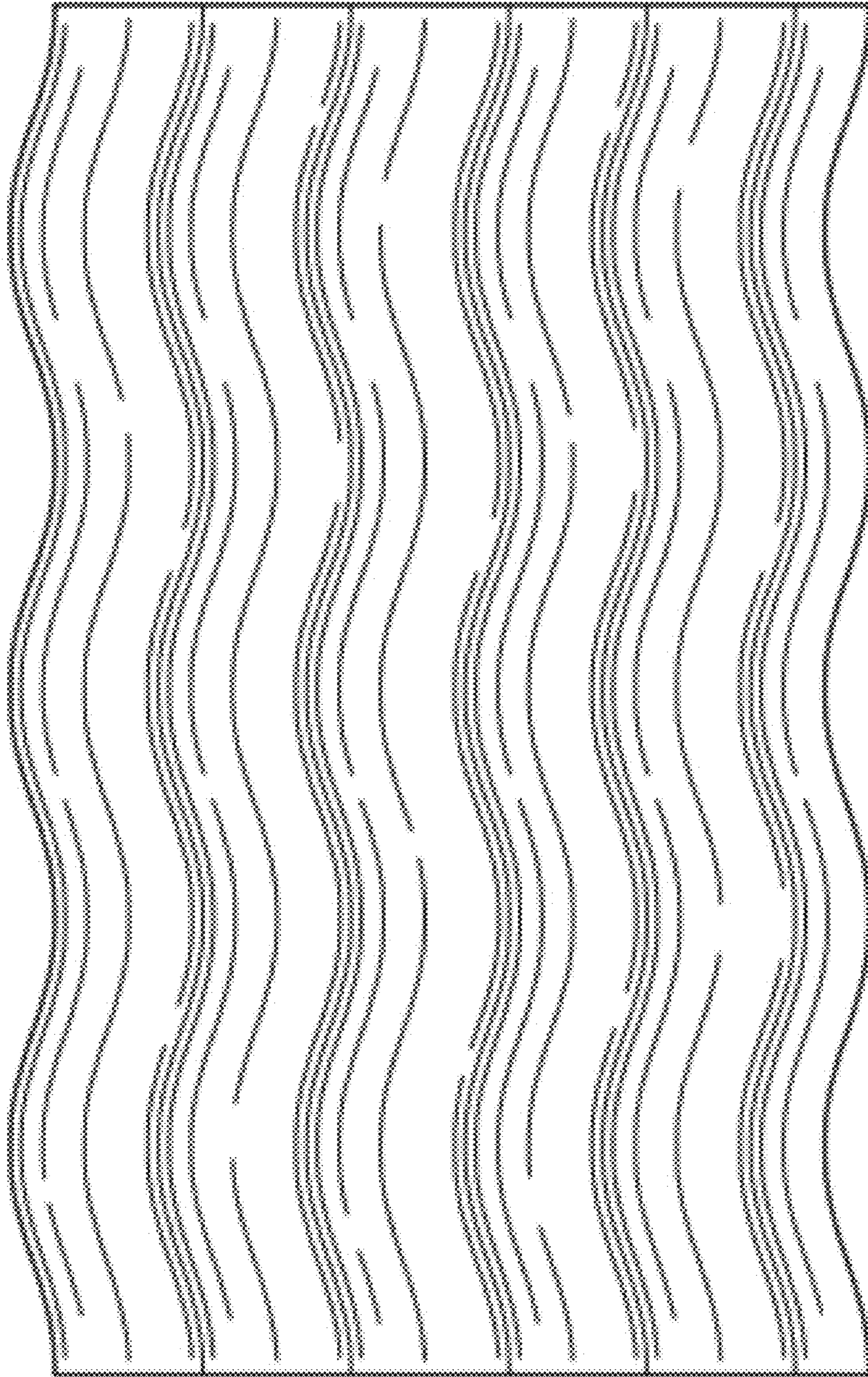


FIG. 2

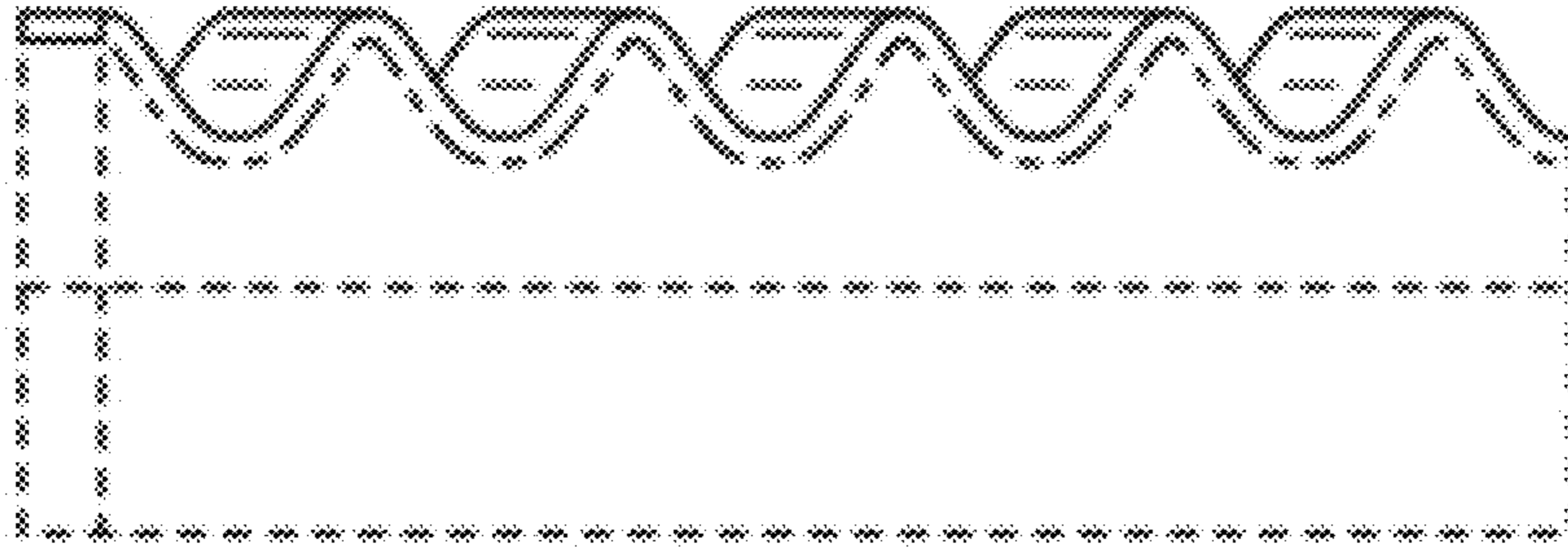


FIG. 3

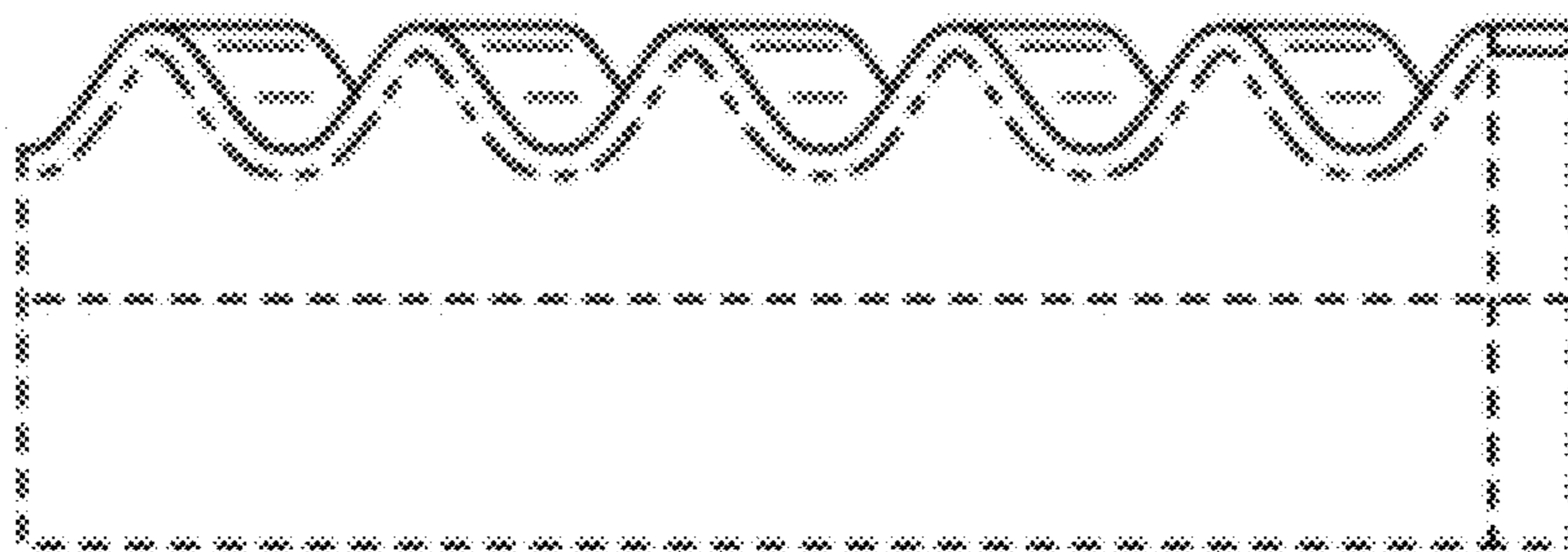


FIG. 4

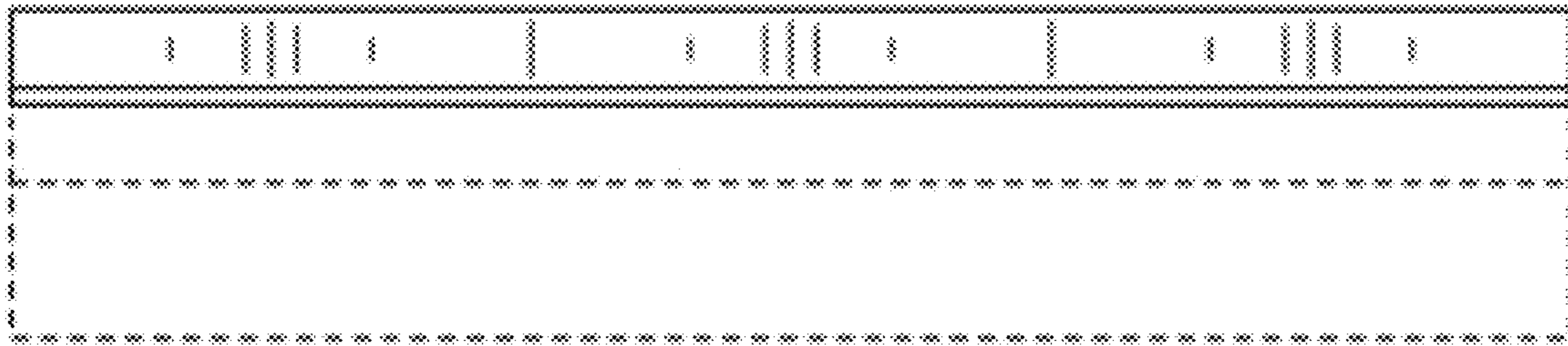


FIG. 5



FIG. 6

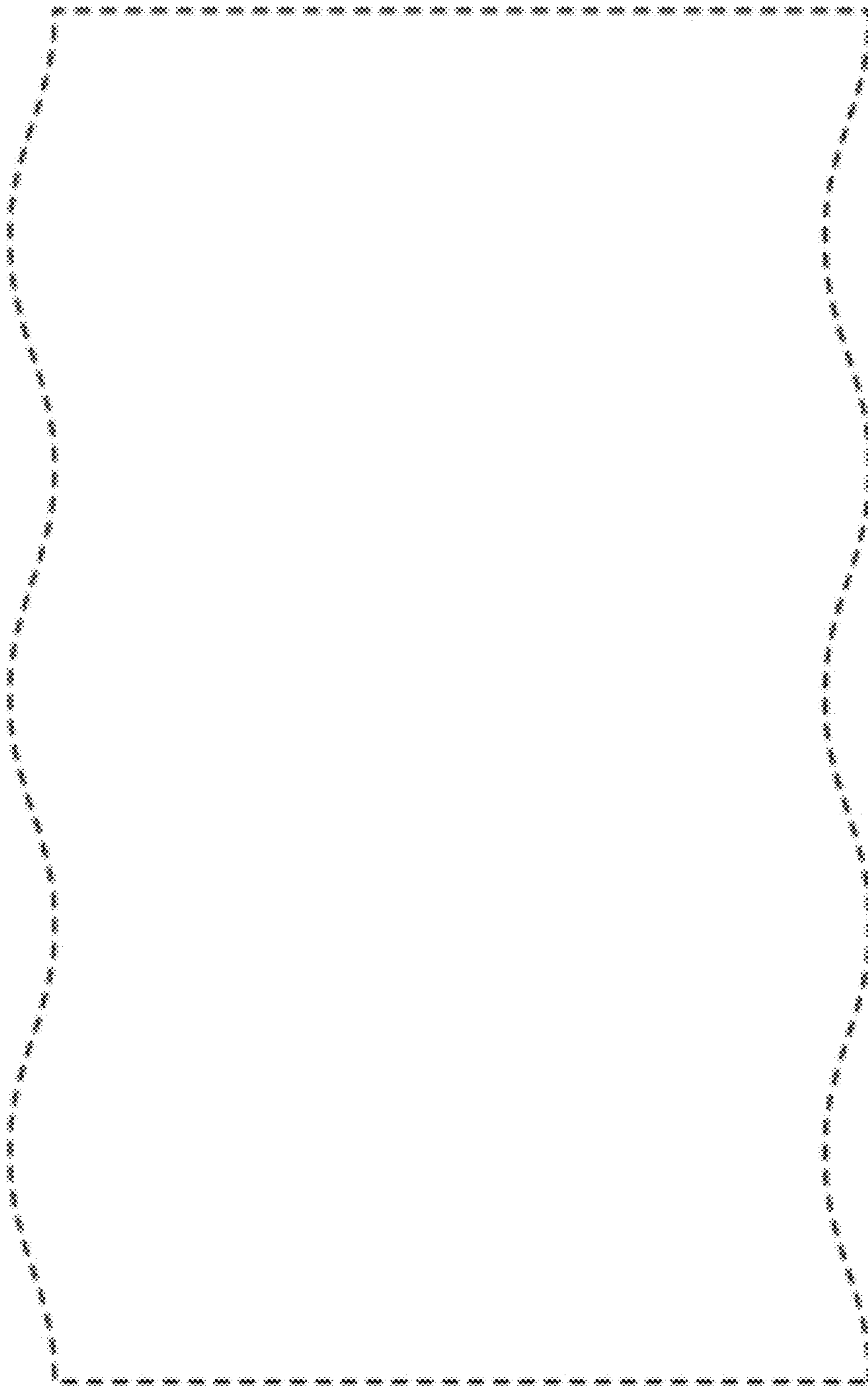


FIG. 7