

US00D667186S

(12) **United States Design Patent**  
**Codling et al.**

(10) **Patent No.:** **US D667,186 S**  
(45) **Date of Patent:** **\*\* Sep. 11, 2012**

(54) **PART OF A VACUUM CLEANER**

(75) Inventors: **Jonathan Richard Codling**,  
Malmesbury (GB); **Matthew John**  
**Dobson**, Malmesbury (GB); **David**  
**Andrew McLeod**, Malmesbury (GB);  
**James Dyson**, Malmesbury (GB); **Peter**  
**David Gammack**, Malmesbury (GB)

(73) Assignee: **Dyson Limited**, Malmesbury, Wiltshire  
(GB)

(\*\*) Term: **14 Years**

(21) Appl. No.: **29/397,640**

(22) Filed: **Jul. 19, 2011**

(30) **Foreign Application Priority Data**

Feb. 2, 2011 (EM) ..... 001257687-0002

(51) **LOC (9) Cl.** ..... **15-05**

(52) **U.S. Cl.** ..... **D32/33**

(58) **Field of Classification Search** ..... D32/31-33,  
D32/25; 15/329, 337, 338, 415.1, 416-422,  
15/422.1, 93.1, 246.2, 322, 350-354, 361-363,  
15/366, 378, 400-401, 414, 412, 344  
See application file for complete search history.

(56) **References Cited**

**U.S. PATENT DOCUMENTS**

5,497,532 A \* 3/1996 Glatz ..... 15/401  
5,564,161 A \* 10/1996 Glatz ..... 15/415.1  
D427,737 S \* 7/2000 Dyson et al. .... D32/32  
D449,724 S \* 10/2001 Nighy et al. .... D32/32

D456,967 S \* 5/2002 Santiago ..... D32/32  
D460,231 S \* 7/2002 Bagwell et al. .... D32/32  
D507,854 S \* 7/2005 Kim ..... D32/32  
D511,231 S \* 11/2005 Langham et al. .... D32/33  
D518,932 S \* 4/2006 Maruyama et al. .... D32/32  
D518,933 S \* 4/2006 Courtney ..... D32/32  
D564,720 S \* 3/2008 Dyson et al. .... D32/32  
D565,265 S \* 3/2008 Quance et al. .... D32/32  
D599,515 S \* 9/2009 Davies et al. .... D32/32  
D600,869 S \* 9/2009 Dyson et al. .... D32/32  
D616,164 S \* 5/2010 McLeod et al. .... D32/32  
D643,168 S \* 8/2011 Dyson et al. .... D32/32  
D649,725 S \* 11/2011 Fjellman ..... D32/32  
2009/0320235 A1 \* 12/2009 Lee ..... 15/415.1  
2010/0229339 A1 \* 9/2010 Lambourn ..... 15/415.1  
2010/0306957 A1 \* 12/2010 Follows et al. .... 15/363  
2011/0214252 A1 \* 9/2011 McLeod et al. .... 15/415.1

\* cited by examiner

*Primary Examiner* — Ruth McInroy

(74) *Attorney, Agent, or Firm* — Morrison & Foerster LLP

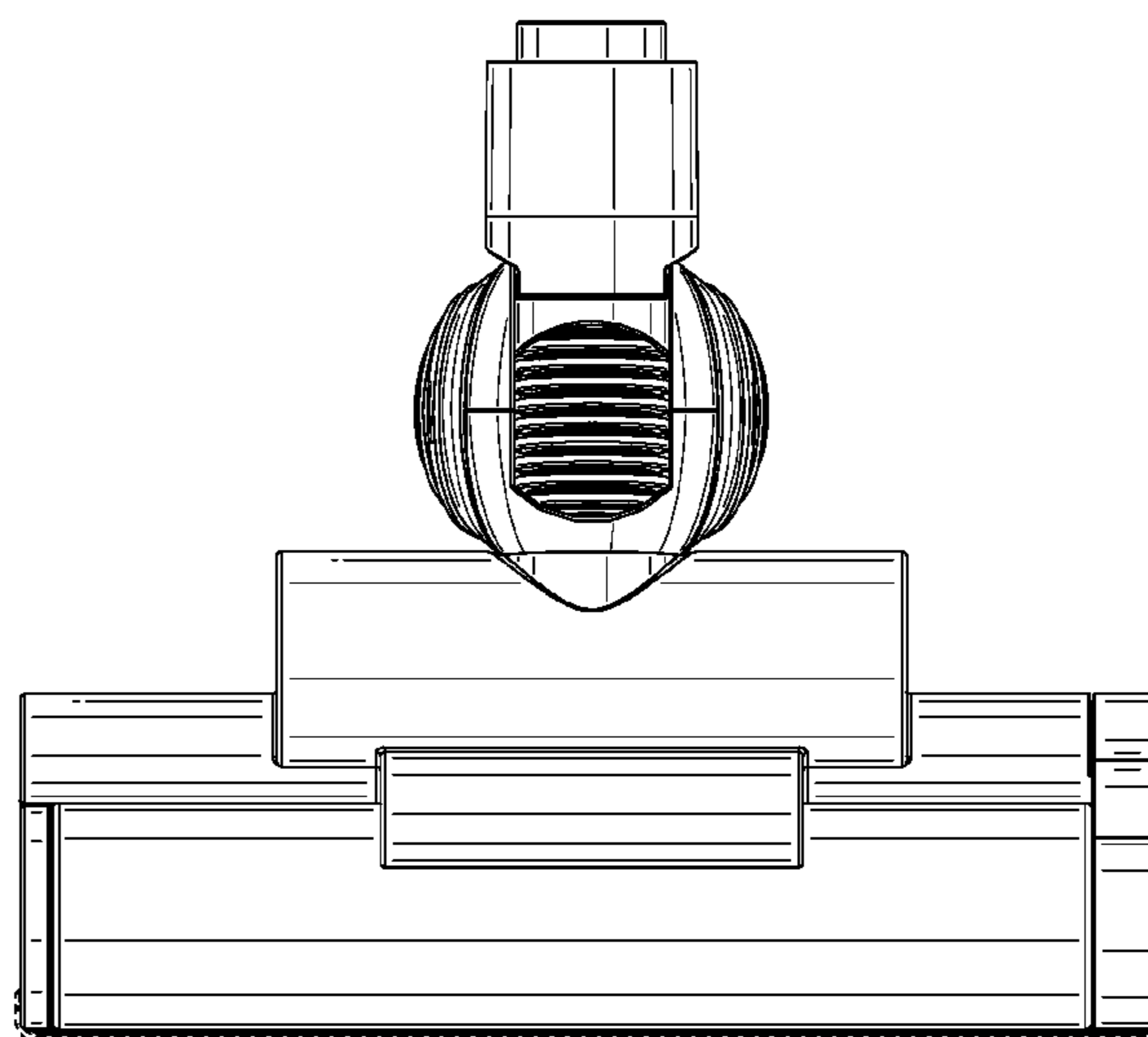
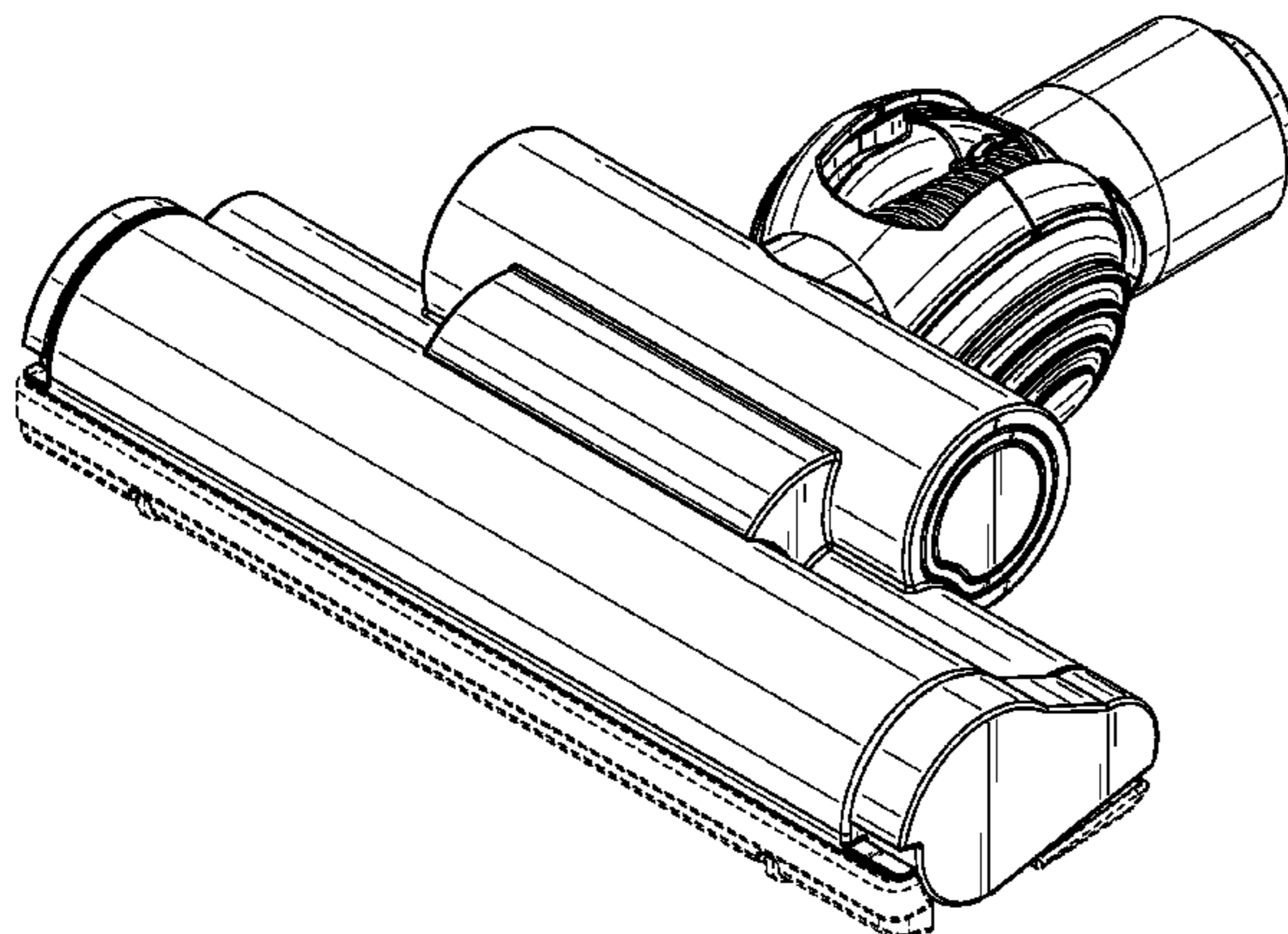
(57) **CLAIM**

We claim the ornamental design for a part of a vacuum cleaner, as shown and described.

**DESCRIPTION**

FIG. 1 is a perspective view of a part of a vacuum cleaner showing our new design;  
FIG. 2 is a plan view thereof from above;  
FIG. 3 is a plan view thereof from below;  
FIG. 4 is a front view thereof;  
FIG. 5 is a rear view thereof;  
FIG. 6 is a side view thereof; and,  
FIG. 7 is a side view from the side opposite that of FIG. 6.

**1 Claim, 5 Drawing Sheets**



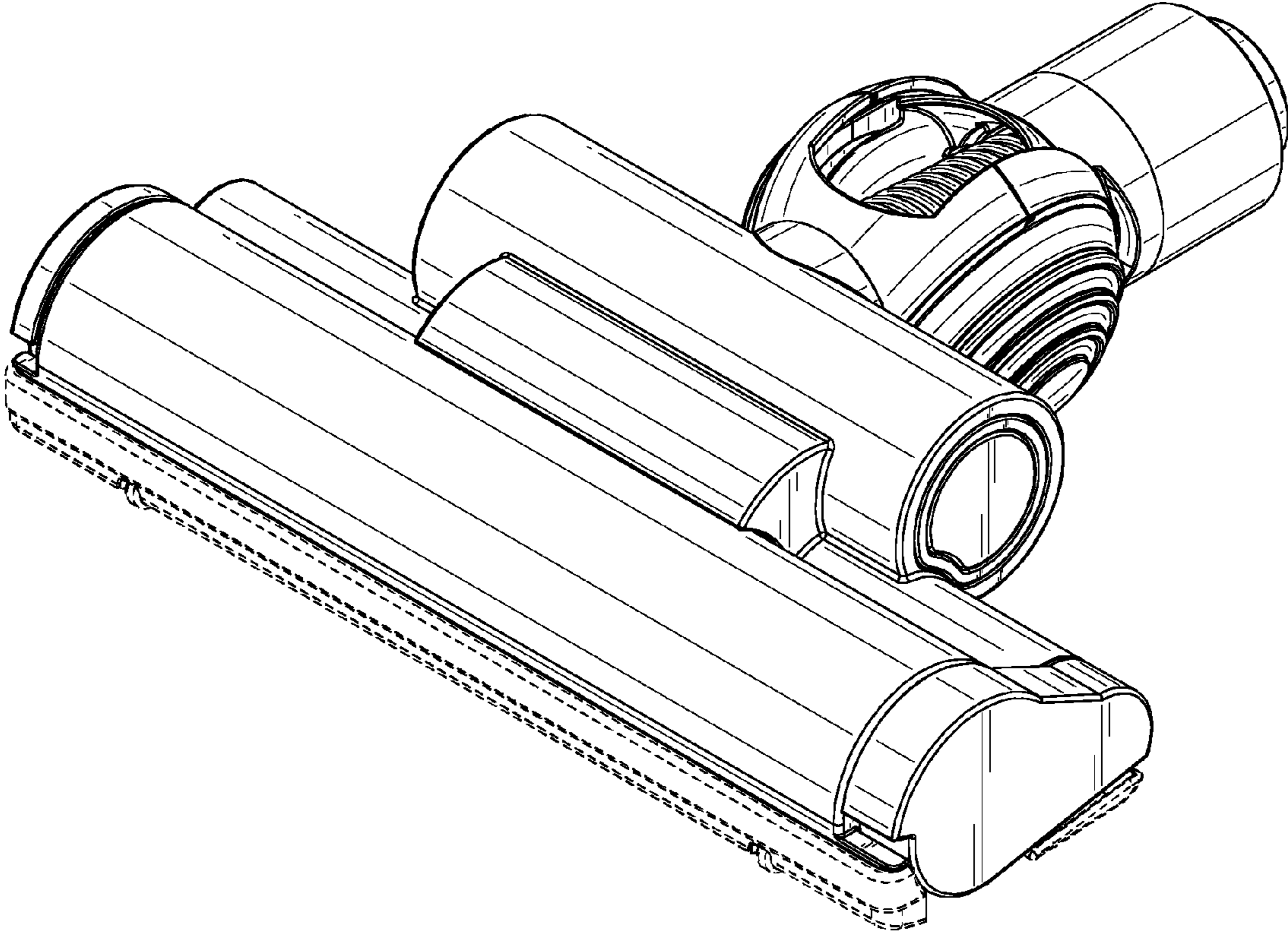


FIG. 1

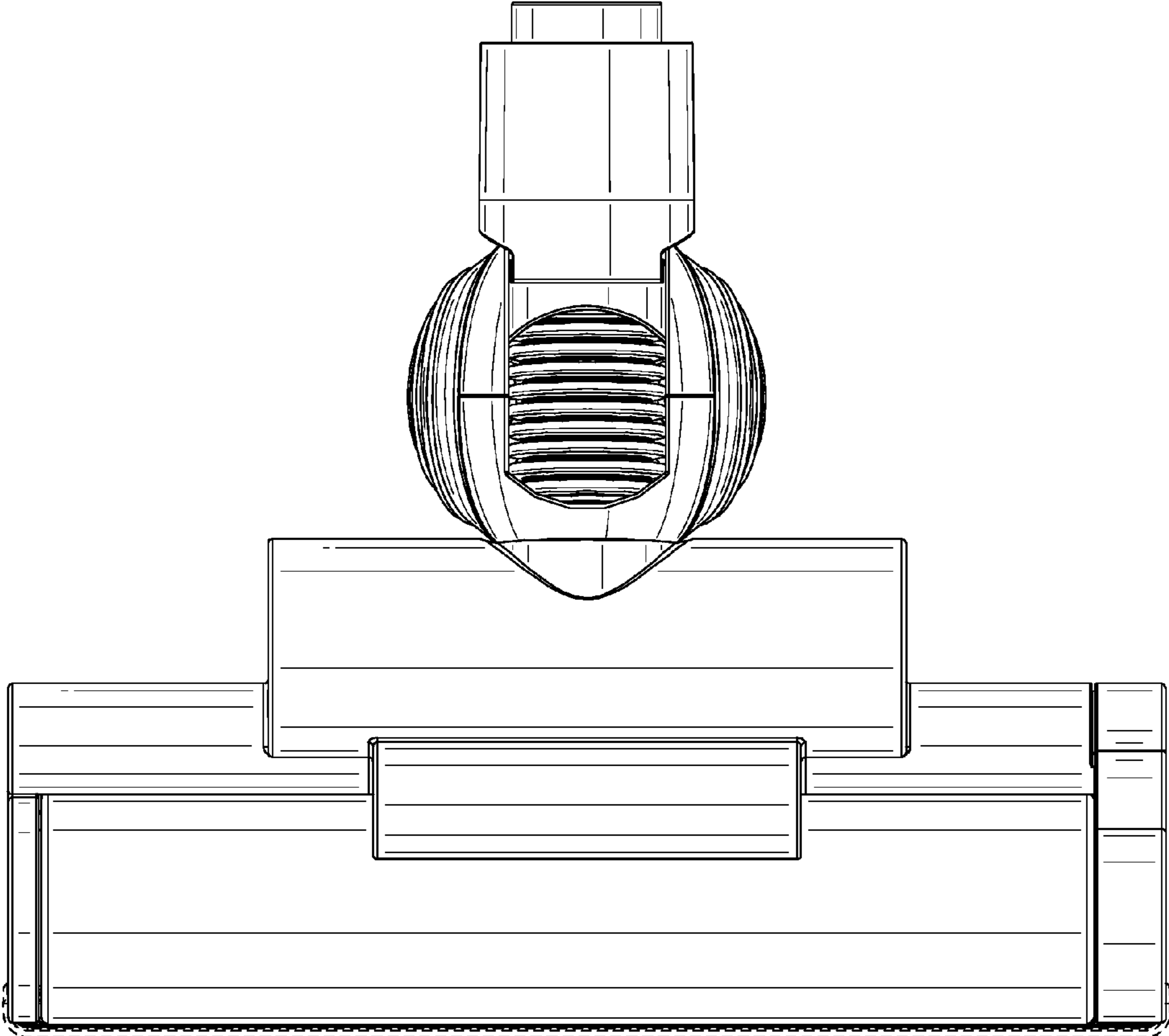


FIG. 2

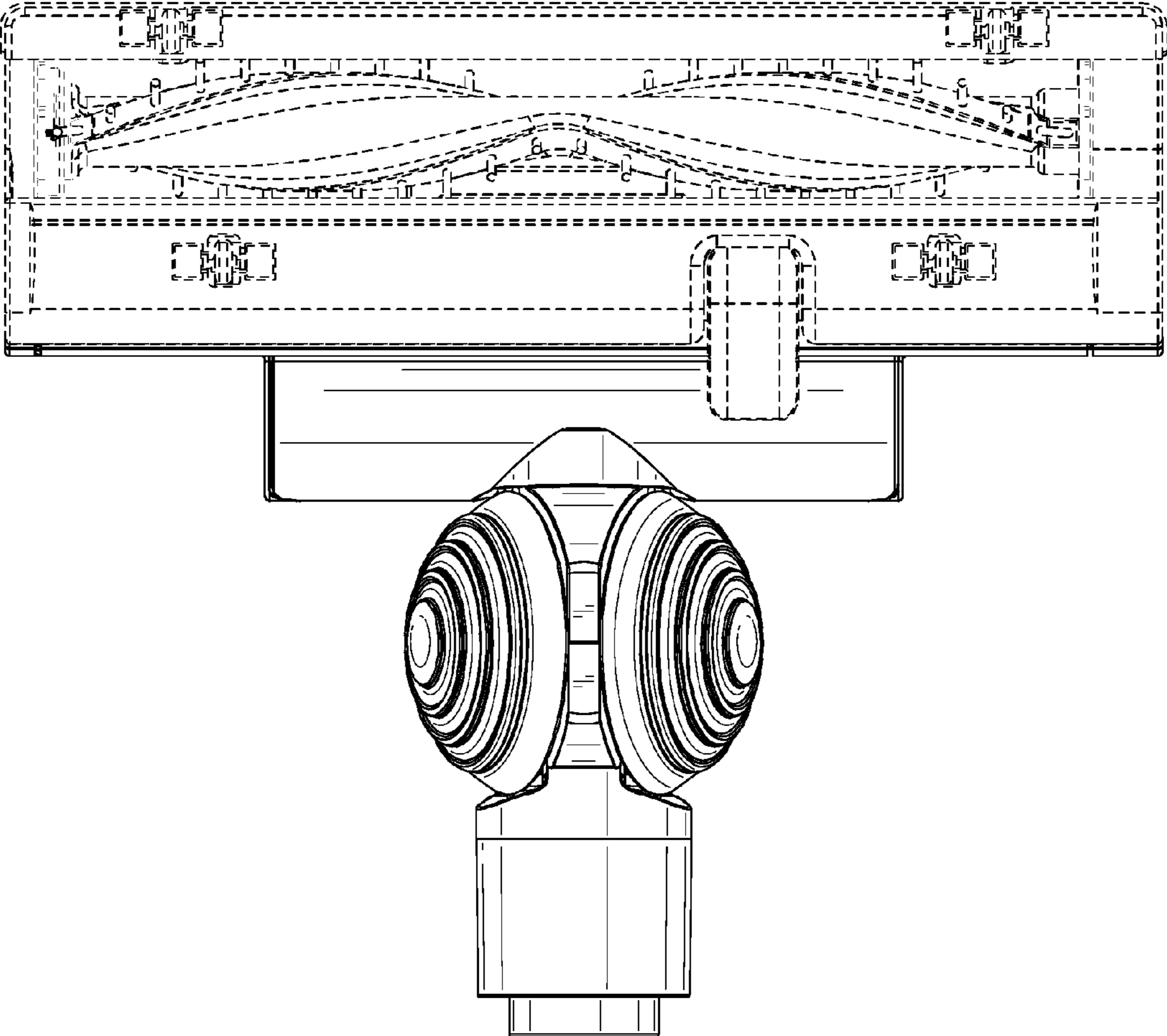


FIG. 3



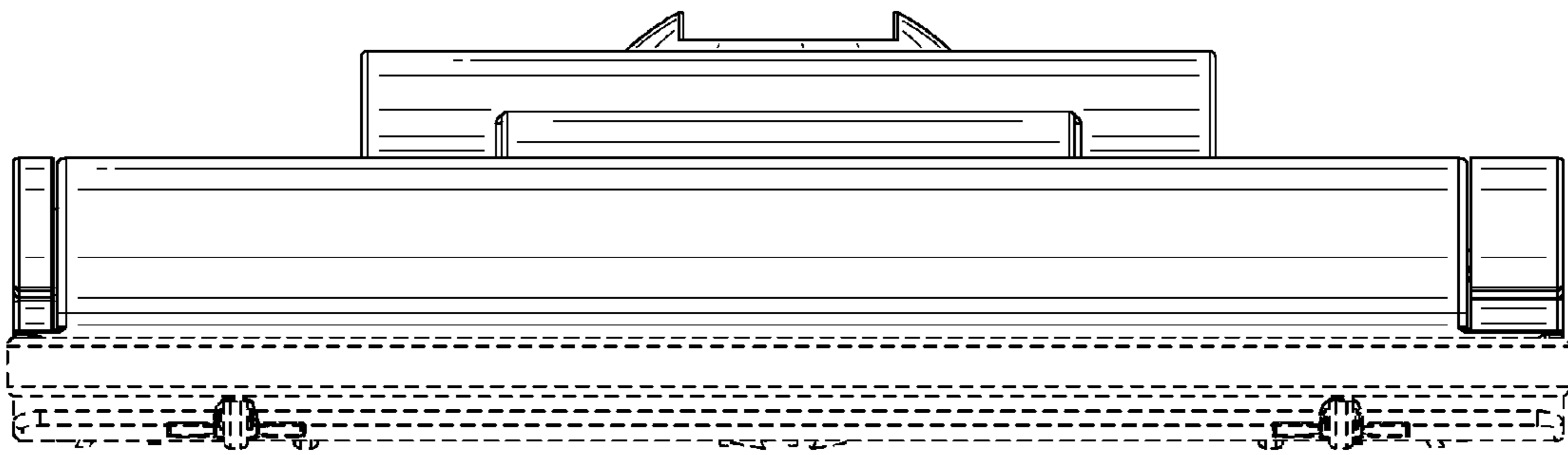


FIG. 4

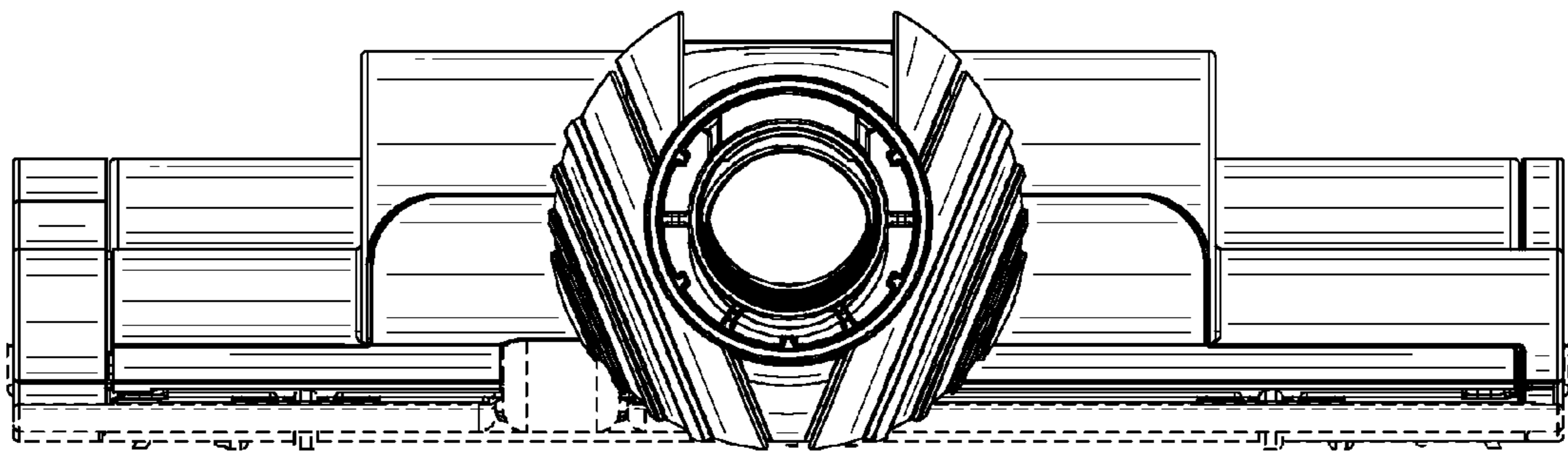


FIG. 5

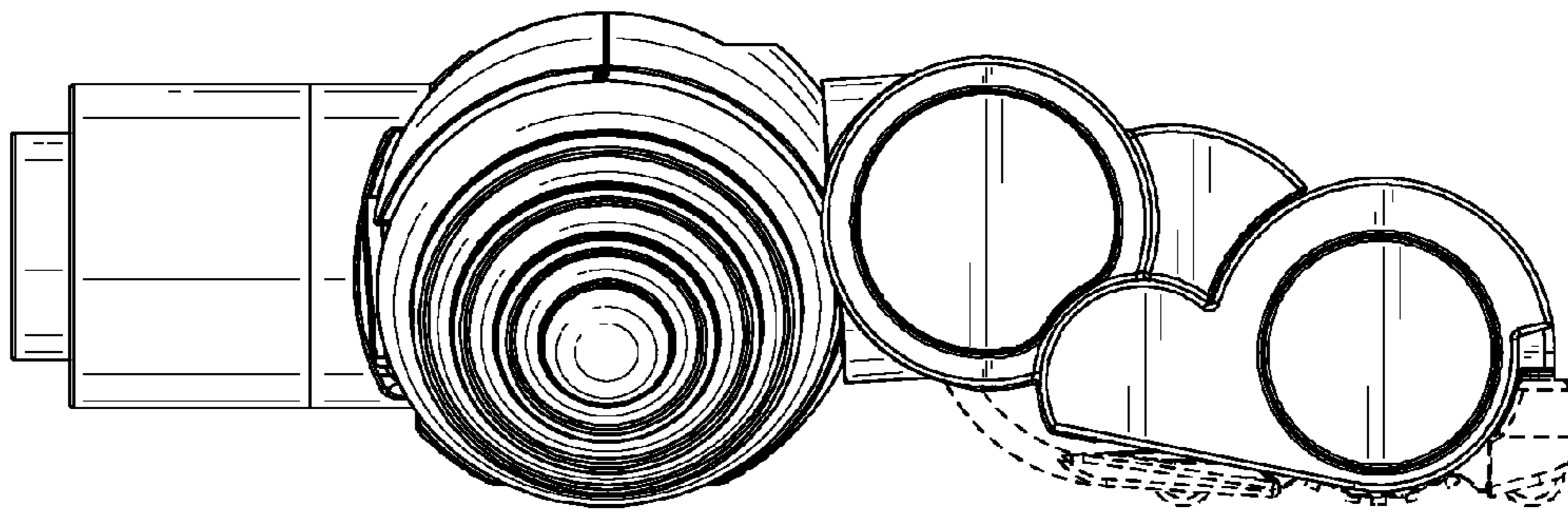


FIG. 6

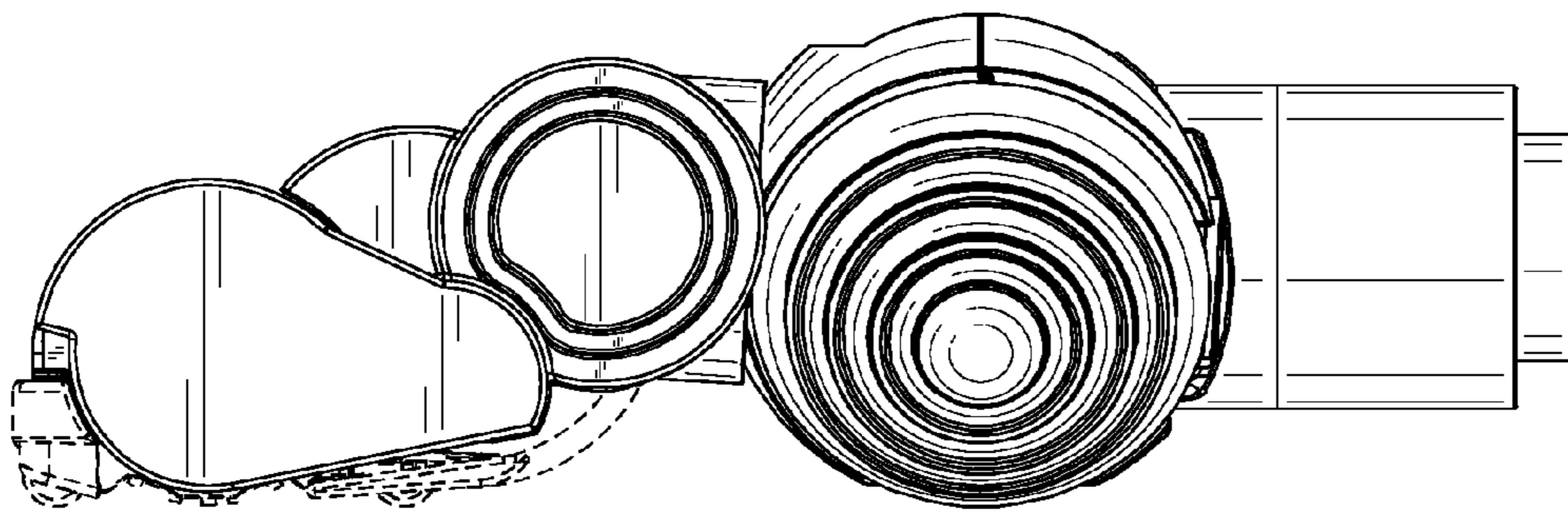


FIG. 7