



US00D667185S

(12) **United States Design Patent**
Benacquisto

(10) **Patent No.:** **US D667,185 S**

(45) **Date of Patent:** **** Sep. 11, 2012**

(54) **PORTION OF FLOOR CLEANING MACHINE**

(75) **Inventor:** **Justin Benacquisto**, Caledonia, MI (US)

(73) **Assignee:** **BISSELL Homecare, Inc.**, Grand Rapids, MI (US)

(**) **Term:** **14 Years**

(21) **Appl. No.:** **29/386,752**

(22) **Filed:** **Mar. 4, 2011**

(51) **LOC (9) Cl.** **15-05**

(52) **U.S. Cl.** **D32/33**

(58) **Field of Classification Search** D32/31-33,
D32/25; 15/329, 337, 338, 415.1, 416-422,
15/422.1, 93.1, 246.2, 322, 350-354, 361-363,
15/366, 378, 400-401, 414

See application file for complete search history.

(56) **References Cited**

U.S. PATENT DOCUMENTS

D506,047 S * 6/2005 Alford et al. D32/32
D521,199 S * 5/2006 Leyden D32/32

D553,314 S * 10/2007 Parr et al. D32/32
D622,462 S * 8/2010 Santiago et al. D32/32
D623,368 S * 9/2010 Benacquisto et al. D32/32
D644,802 S * 9/2011 Park et al. D32/32

* cited by examiner

Primary Examiner — Ruth McInroy

(74) *Attorney, Agent, or Firm* — McGarry Bair PC

(57) **CLAIM**

The ornamental design for a portion of floor cleaning machine, as shown and described.

DESCRIPTION

FIG. 1 is a front perspective view of a portion of floor cleaning machine which embodies our design;

FIG. 2 is a front view thereof;

FIG. 3 is a rear view thereof;

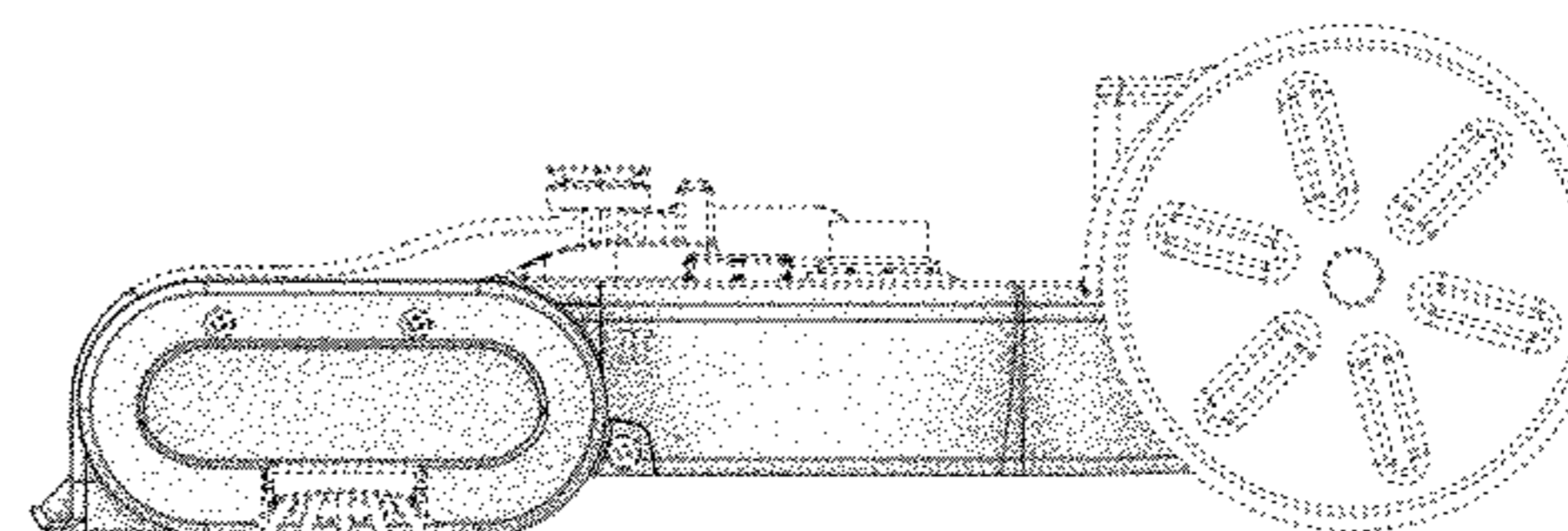
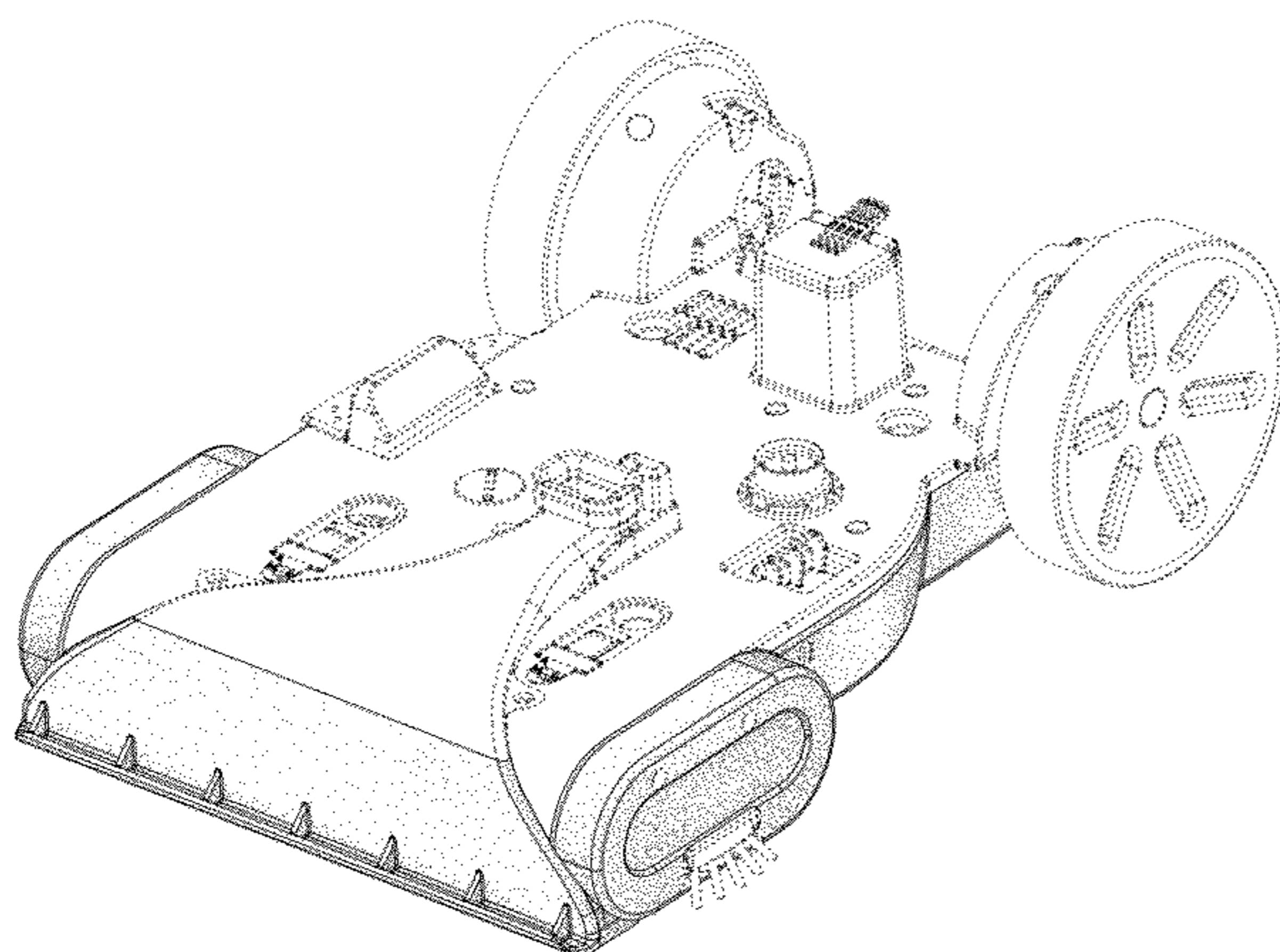
FIG. 4 is a left side view thereof;

FIG. 5 is a right side view thereof; and,

FIG. 6 is a top view thereof.

Portions of the portion of floor cleaning machine shown in broken lines form no part of the claimed design.

1 Claim, 4 Drawing Sheets



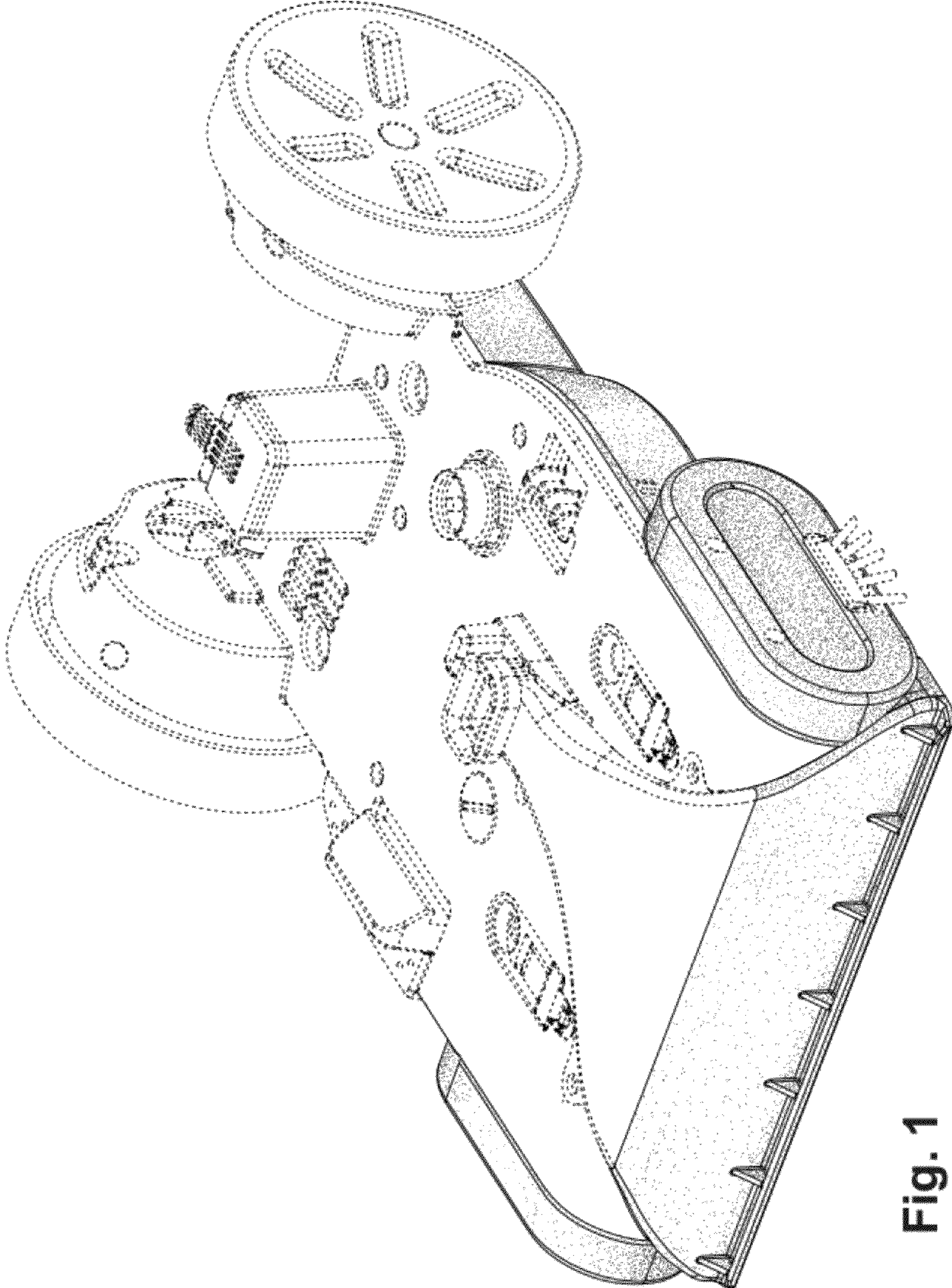


Fig. 1

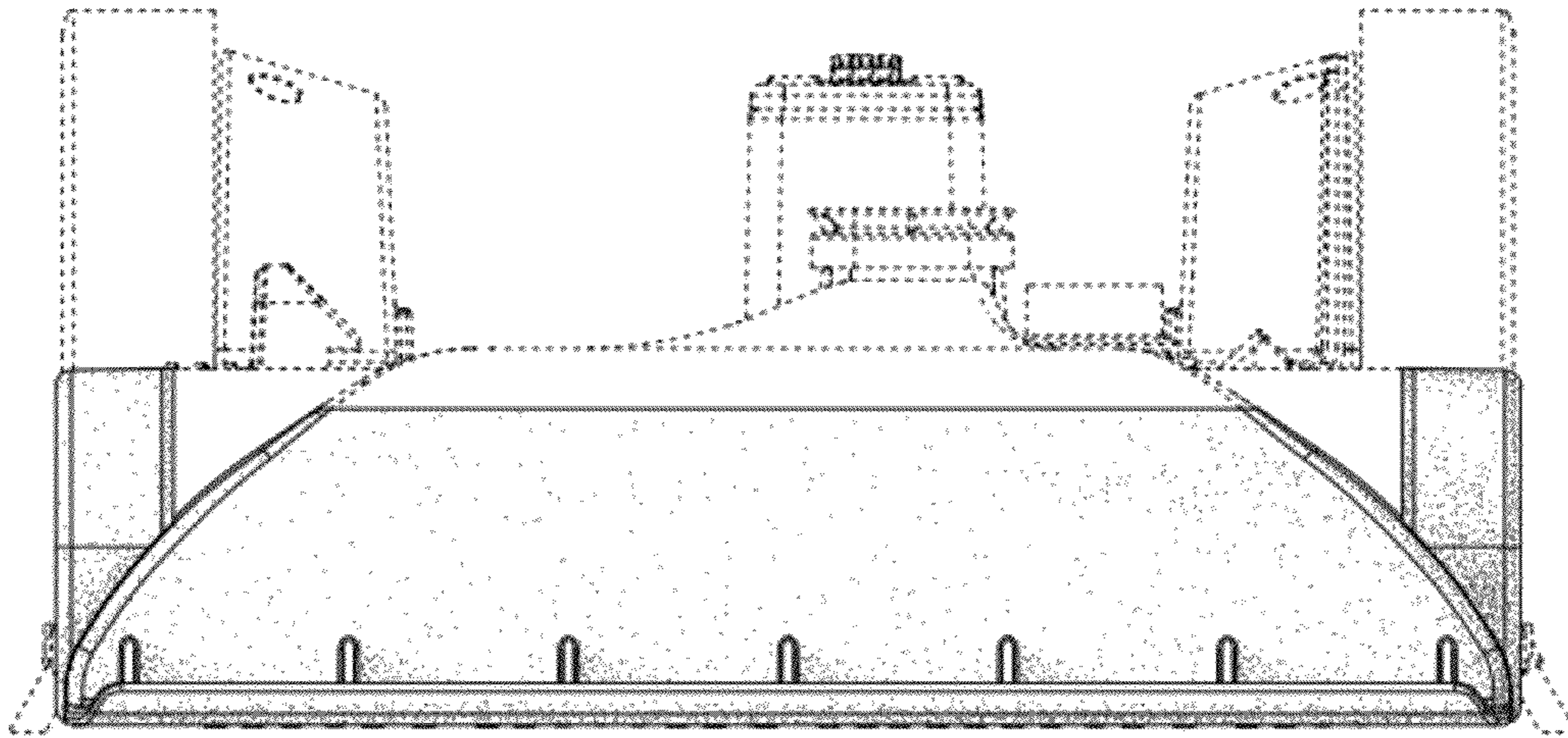


Fig. 2

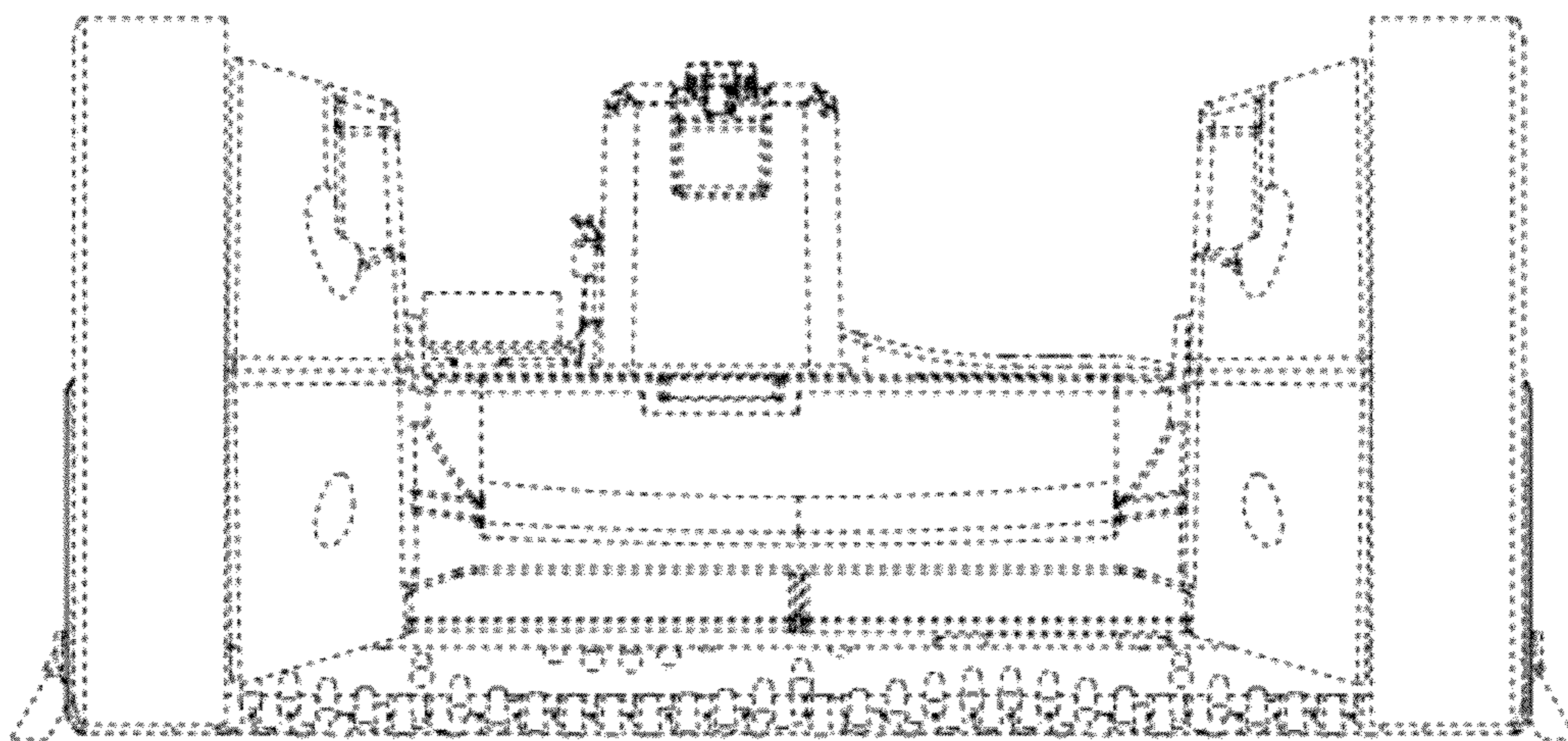


Fig. 3

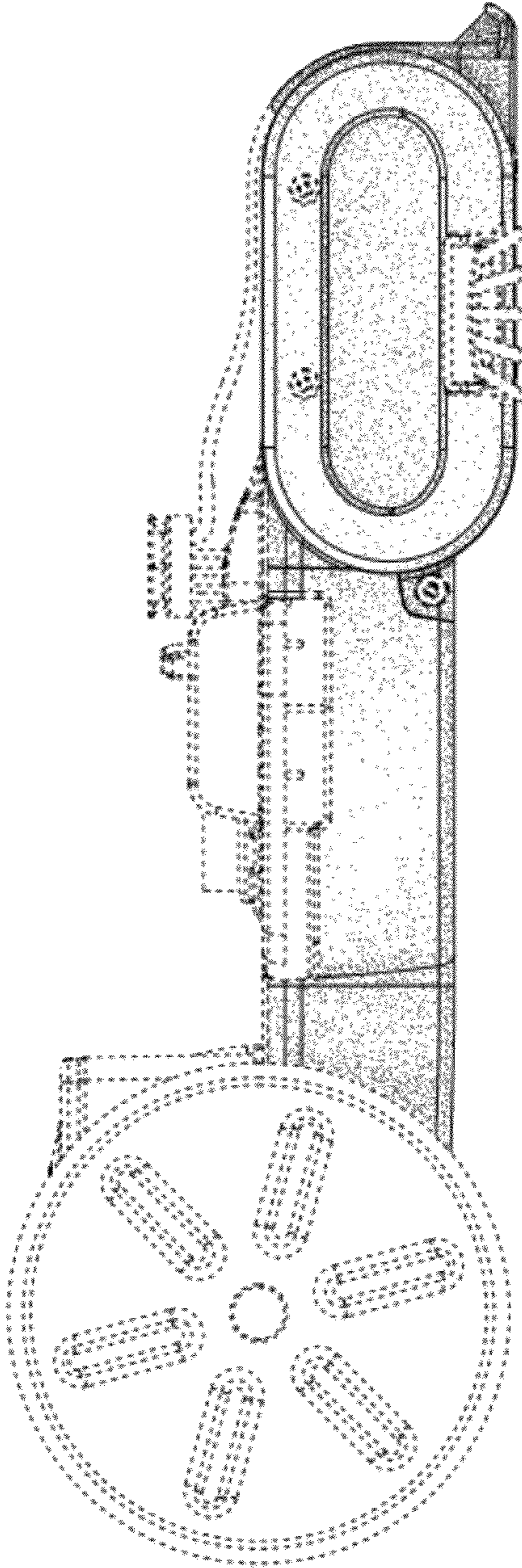


Fig. 4

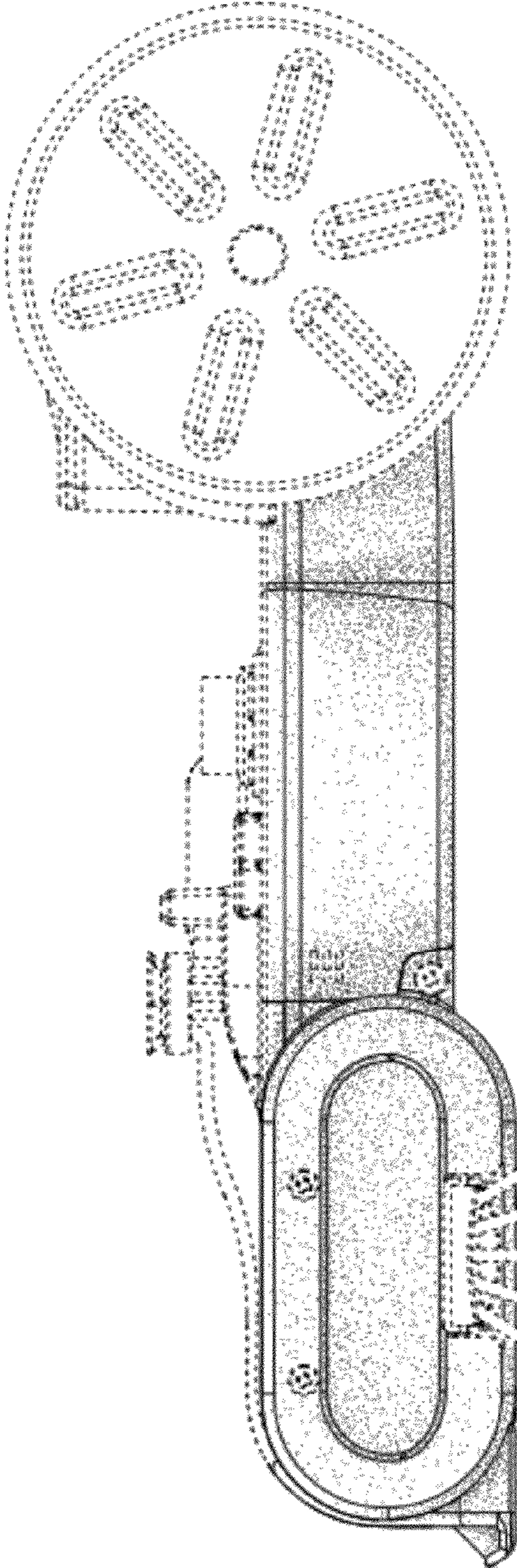


Fig. 5

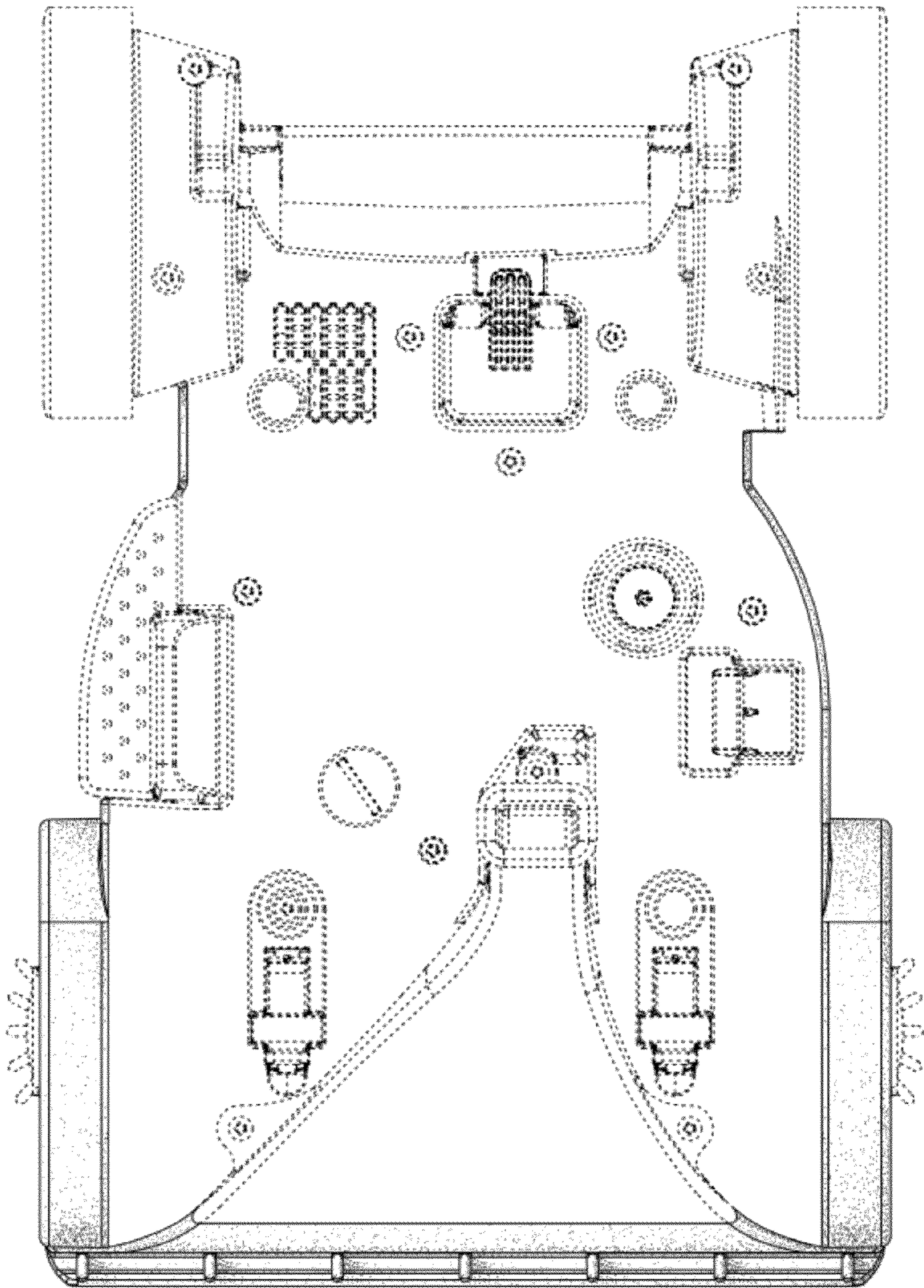


Fig. 6