



US00D667184S

(12) **United States Design Patent**  
**Chu et al.**

(10) **Patent No.:** **US D667,184 S**

(45) **Date of Patent:** **\*\* Sep. 11, 2012**

(54) **PORTION OF A VACUUM CLEANER**

(75) Inventors: **Lawrence Chun-Hei Chu**, Shenzhen (CN); **Wendy Hui Wu**, Shenzhen (CN)

(73) Assignee: **BISSELL Homecare, Inc.**, Grand Rapids, MI (US)

(\*\*) Term: **14 Years**

(21) Appl. No.: **29/386,746**

(22) Filed: **Mar. 4, 2011**

(51) **LOC (9) Cl.** ..... **15-05**

(52) **U.S. Cl.** ..... **D32/33**

(58) **Field of Classification Search** ..... D32/31-33, D32/25; 15/329, 337, 338, 415.1, 416-422, 15/422.1, 93.1, 246.2, 322, 350-354, 361-363, 15/366, 378, 400-401, 414, 412, 344  
See application file for complete search history.

(56) **References Cited**

**U.S. PATENT DOCUMENTS**

D418,267	S	*	12/1999	Lin	.....	D32/32
D456,967	S	*	5/2002	Santiago	.....	D32/32
D475,823	S	*	6/2003	Medema et al.	.....	D32/32
D495,106	S	*	8/2004	Leyden et al.	.....	D32/32
D499,850	S	*	12/2004	Leyden	.....	D32/32
D506,048	S	*	6/2005	Downey et al.	.....	D32/32
D506,586	S	*	6/2005	Carr et al.	.....	D32/32
D524,498	S	*	7/2006	Luebbering et al.	.....	D32/32

D564,157	S	*	3/2008	Seon	.....	D32/32
D597,267	S	*	7/2009	Santiago	.....	D32/32
7,653,964	B2	*	2/2010	Kwon et al.	.....	15/354
D622,461	S	*	8/2010	Hill	.....	D32/32
7,810,210	B2	*	10/2010	Yoo et al.	.....	15/351
D644,802	S	*	9/2011	Park et al.	.....	D32/32
2004/0211027	A1	*	10/2004	Park et al.	.....	15/354
2009/0320235	A1	*	12/2009	Lee	.....	15/415.1

\* cited by examiner

*Primary Examiner* — Ruth McInroy

(74) *Attorney, Agent, or Firm* — McGarry Bair PC

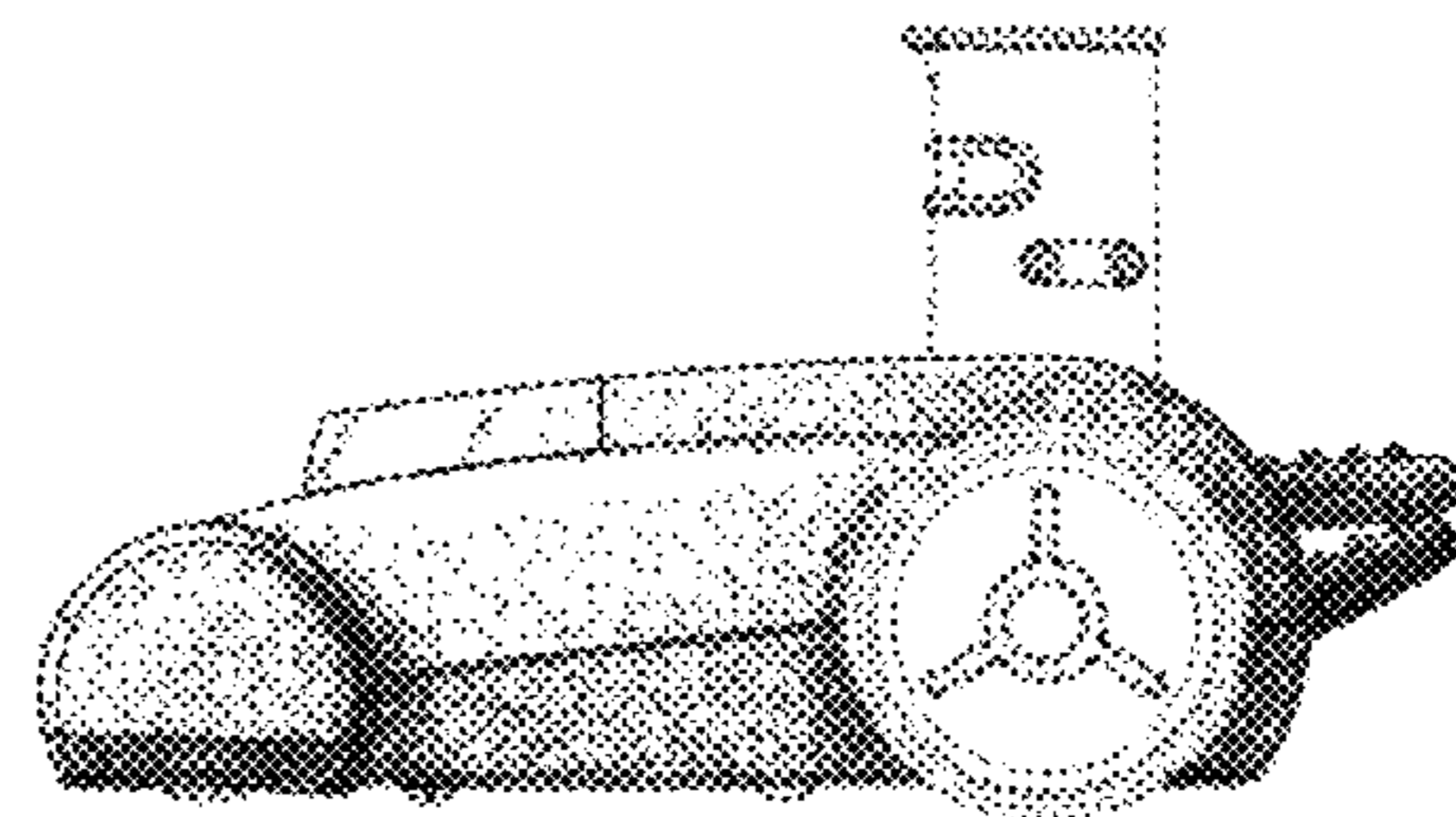
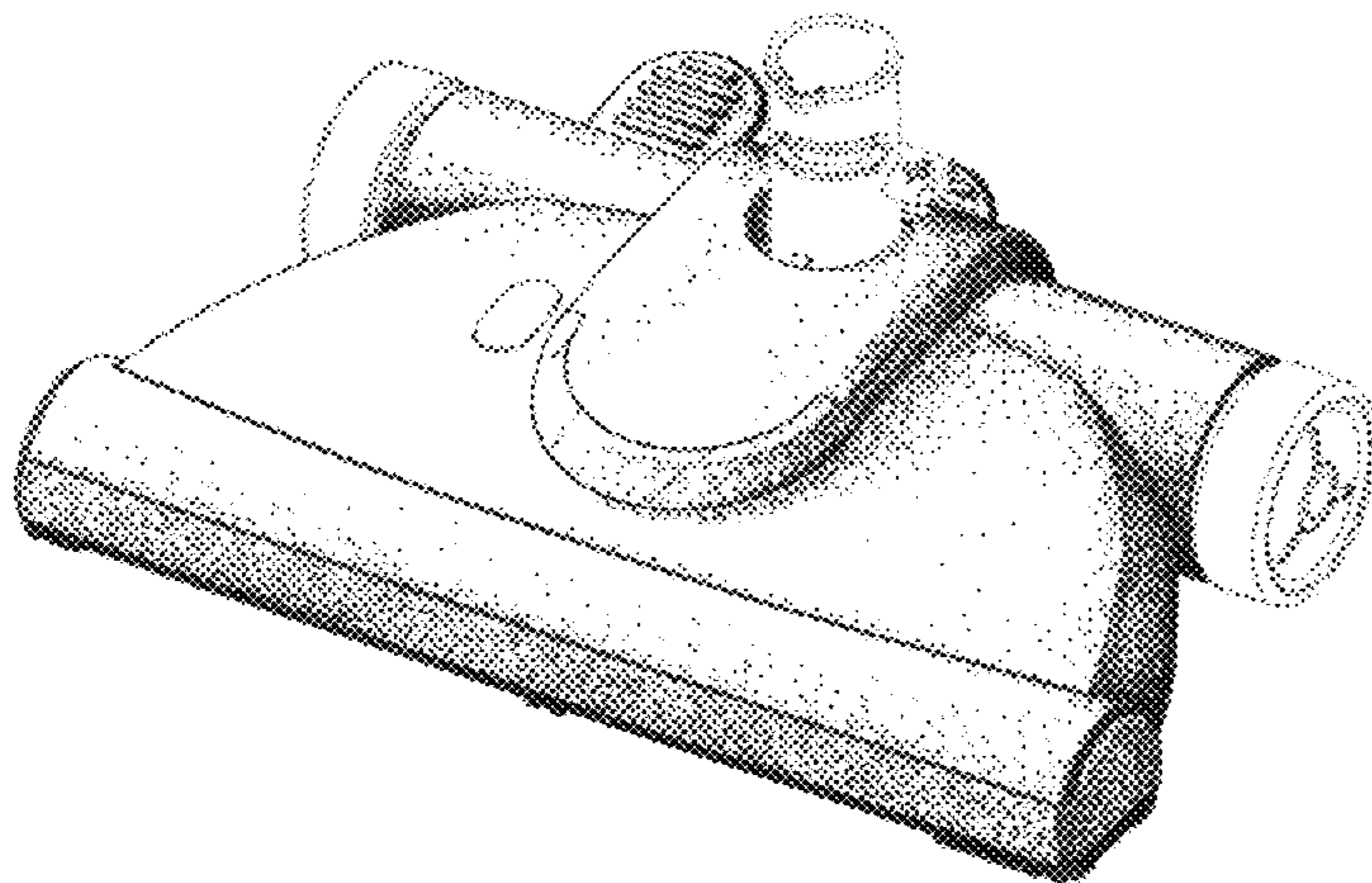
(57) **CLAIM**

The ornamental design for a portion of vacuum cleaner, as shown and described.

**DESCRIPTION**

FIG. 1 is a perspective view of a portion of vacuum cleaner which embodies our design;  
FIG. 2 is a front view thereof;  
FIG. 3 is a rear view thereof;  
FIG. 4 is a left side view thereof,  
FIG. 5 is a right side view thereof; and,  
FIG. 6 is a top plan view thereof.  
The bottom view is unornamented.  
The details shown in broken lines form no part of the claimed design.

**1 Claim, 4 Drawing Sheets**



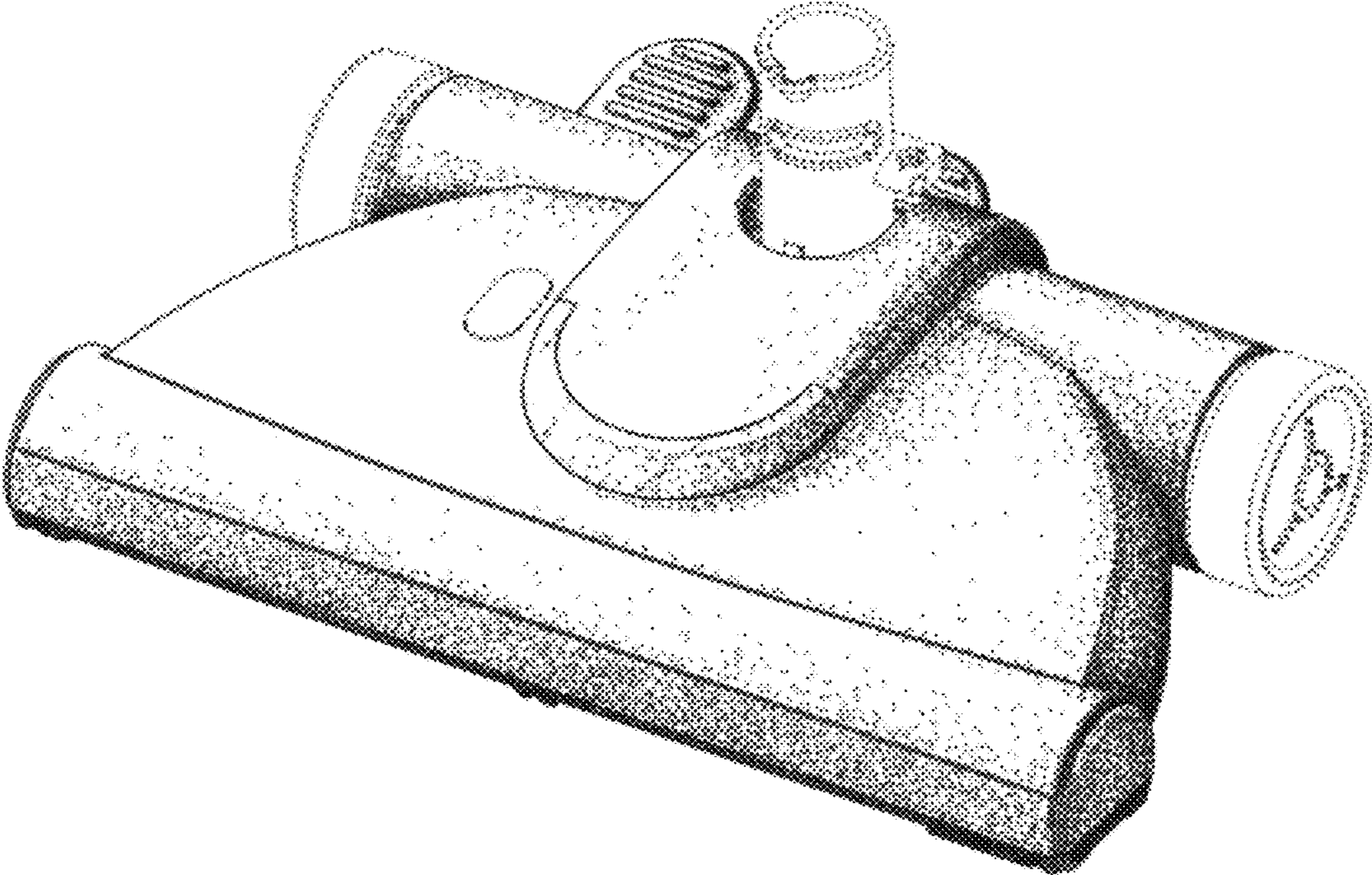


Fig. 1

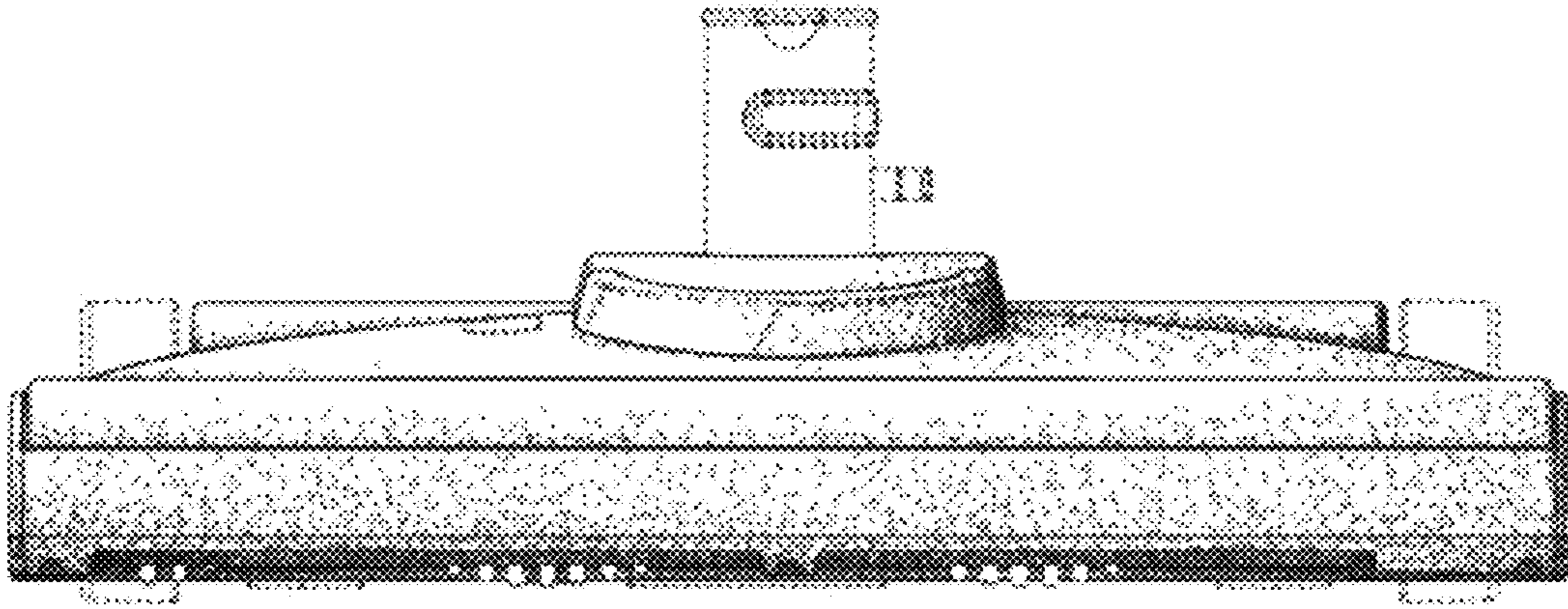


Fig. 2

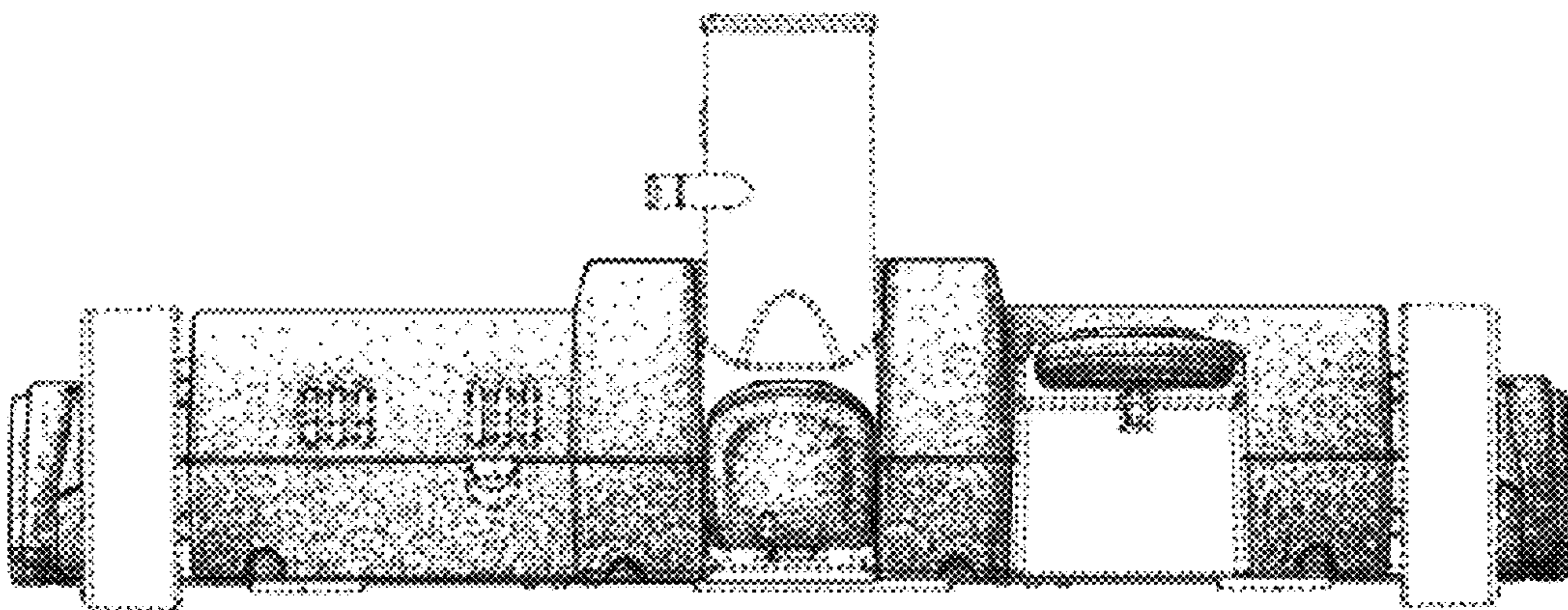
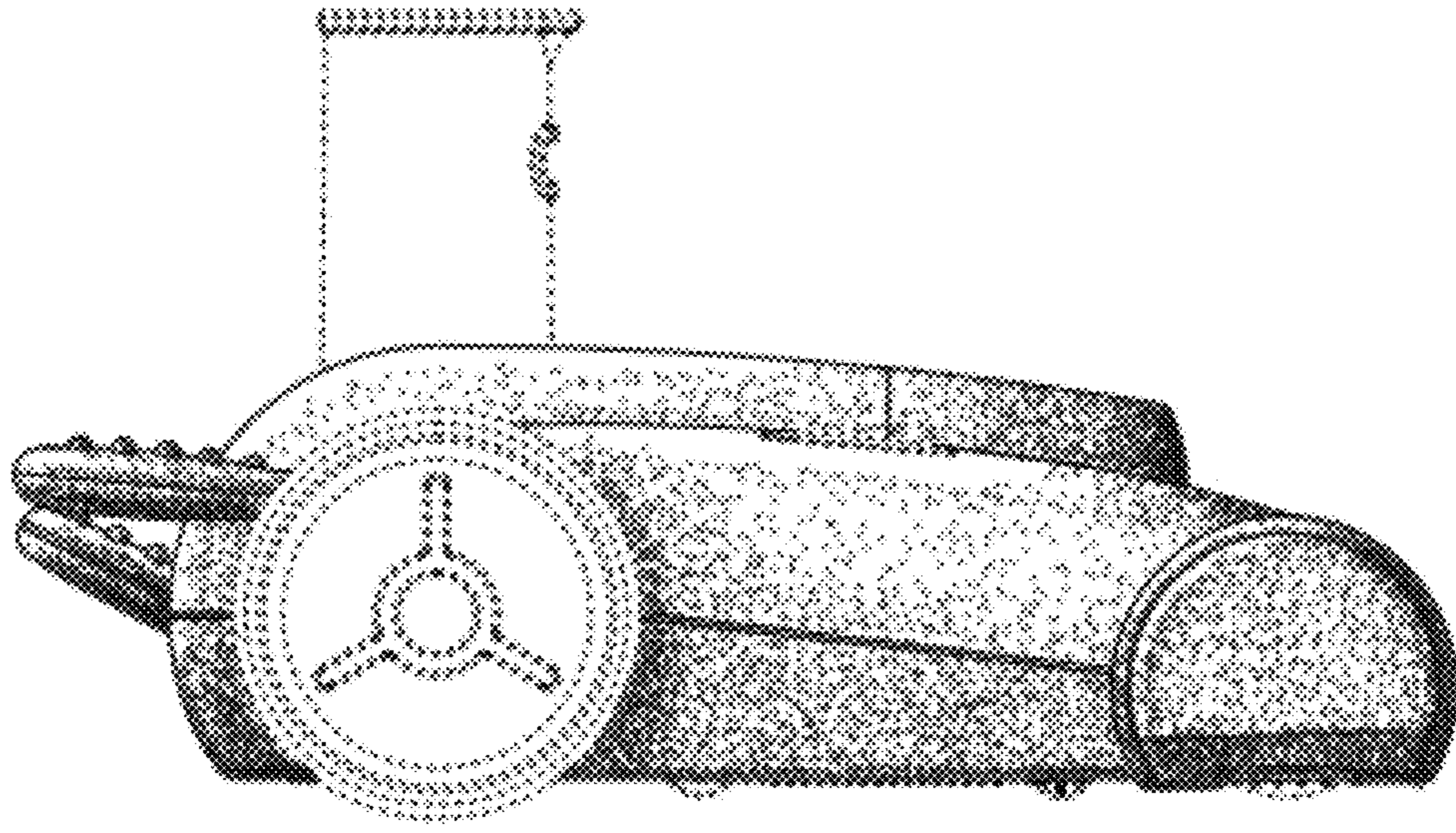
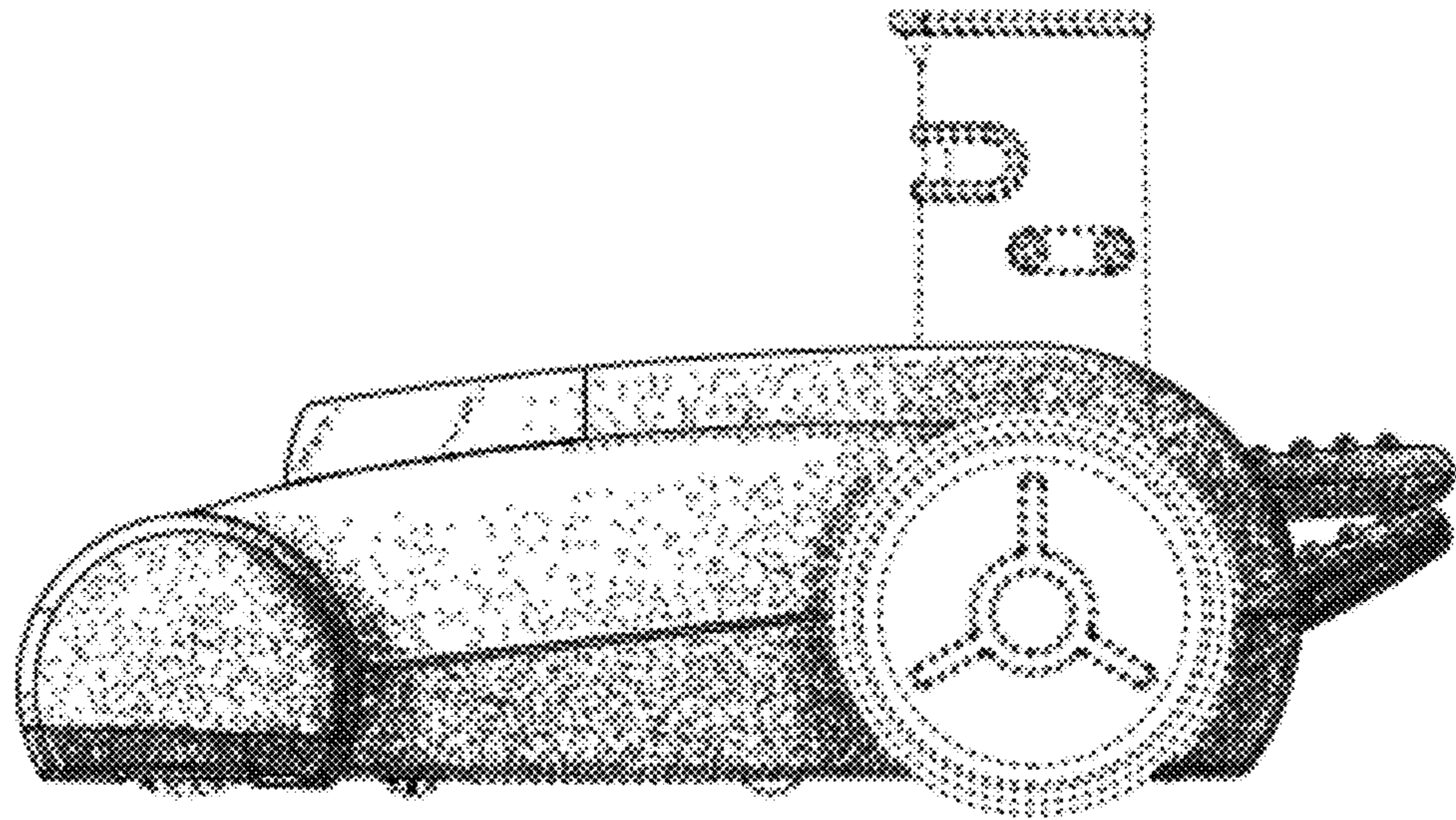


Fig. 3



**Fig. 4**



**Fig. 5**

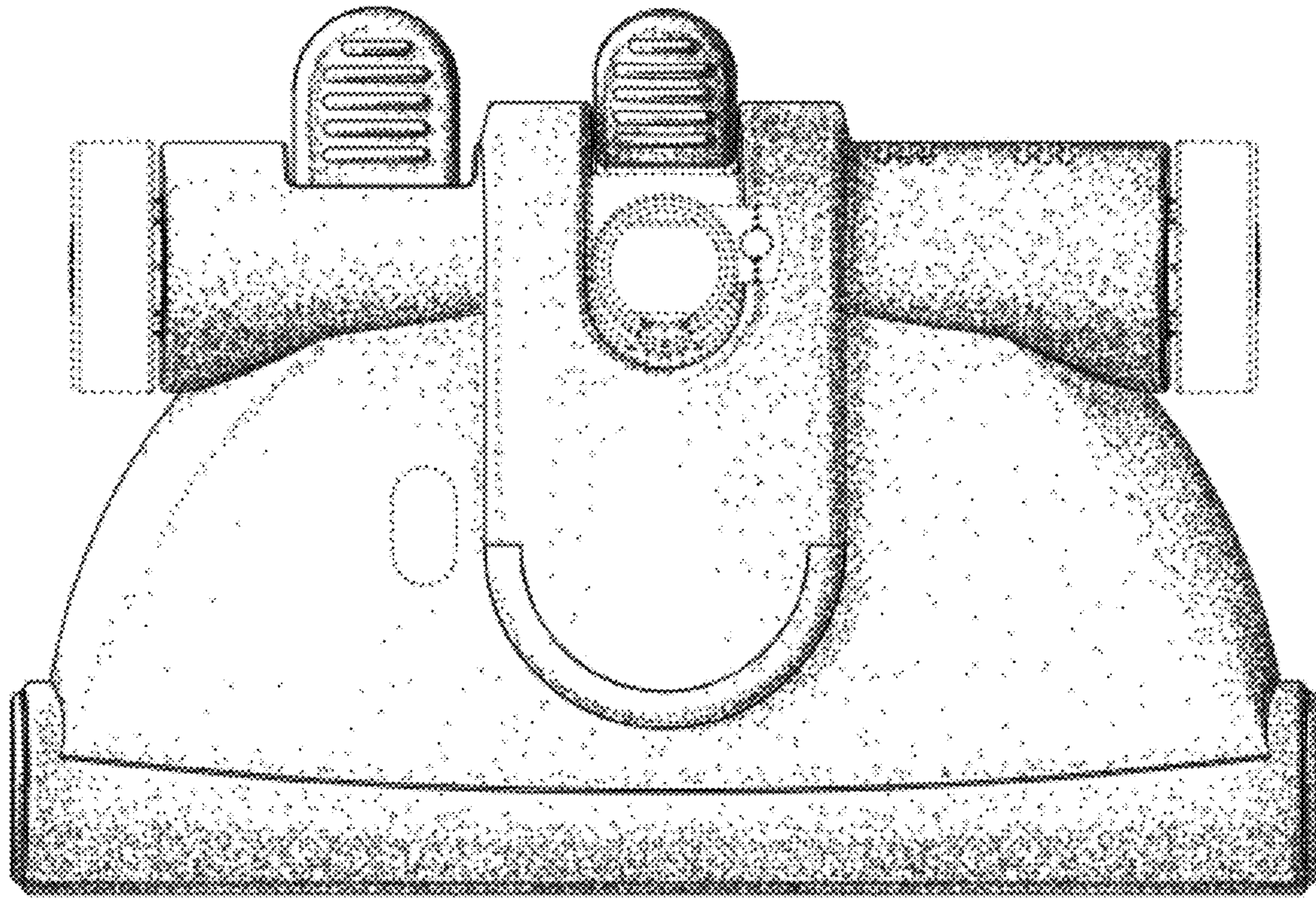


Fig. 6