



US00D667182S

(12) **United States Design Patent**  
**Santiago et al.**

(10) **Patent No.:** **US D667,182 S**

(45) **Date of Patent:** **\*\* Sep. 11, 2012**

(54) **PORTION OF FLOOR CLEANING MACHINE**

(75) Inventors: **Jose Carlito Santiago**, Belmont, MI (US); **Bryce K. Porter**, Grand Rapids, MI (US)

(73) Assignee: **BISSELL Homecare, Inc.**, Grand Rapids, MI (US)

(\*\*) Term: **14 Years**

(21) Appl. No.: **29/386,750**

(22) Filed: **Mar. 4, 2011**

(51) **LOC (9) Cl.** ..... **15-05**

(52) **U.S. Cl.** ..... **D32/31**

(58) **Field of Classification Search** ..... D32/16-17, D32/22, 31, 34; 15/347, 353, 320, 340.2, 15/350-351, 363, 410-411, 327.1, 71.1, 15/79.1, 792.344, 329; 55/337, 459.1, DIG. 3, 55/429

See application file for complete search history.

(56) **References Cited**

**U.S. PATENT DOCUMENTS**

D439,380 S \* 3/2001 Medema et al. .... D32/22  
D451,655 S \* 12/2001 Roberts et al. .... D32/34

D523,598 S \* 6/2006 Carr et al. .... D32/31  
D530,473 S \* 10/2006 Medema et al. .... D32/31  
D598,615 S \* 8/2009 Benacquisto et al. .... D32/22  
D598,619 S \* 8/2009 Benacquisto et al. .... D32/34  
D598,620 S \* 8/2009 Benacquisto et al. .... D32/34

\* cited by examiner

*Primary Examiner* — Ruth McInroy

(74) *Attorney, Agent, or Firm* — McGarry Bair PC

(57) **CLAIM**

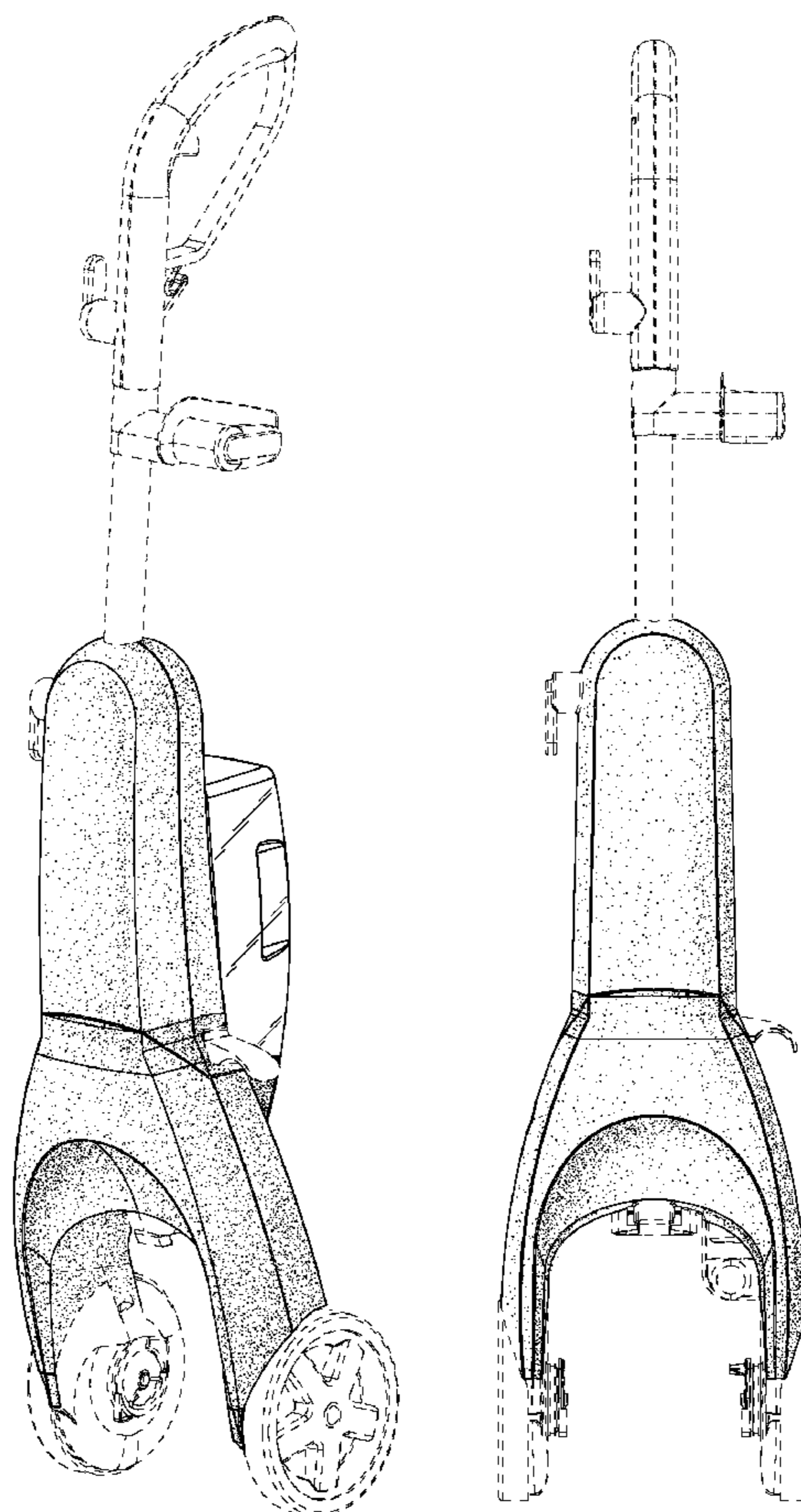
The ornamental design for a portion of floor cleaning machine, as shown and described.

**DESCRIPTION**

FIG. 1 is a perspective view of a portion of floor cleaning machine which embodies our design; FIG. 2 is a front view thereof; FIG. 3 is a rear view thereof; FIG. 4 is a left side view thereof; FIG. 5 is a right side view thereof; FIG. 6 is a top view thereof; and, FIG. 7 is a bottom view.

Portions of the portion of floor cleaning machine shown in broken lines form no part of the claimed design.

**1 Claim, 4 Drawing Sheets**



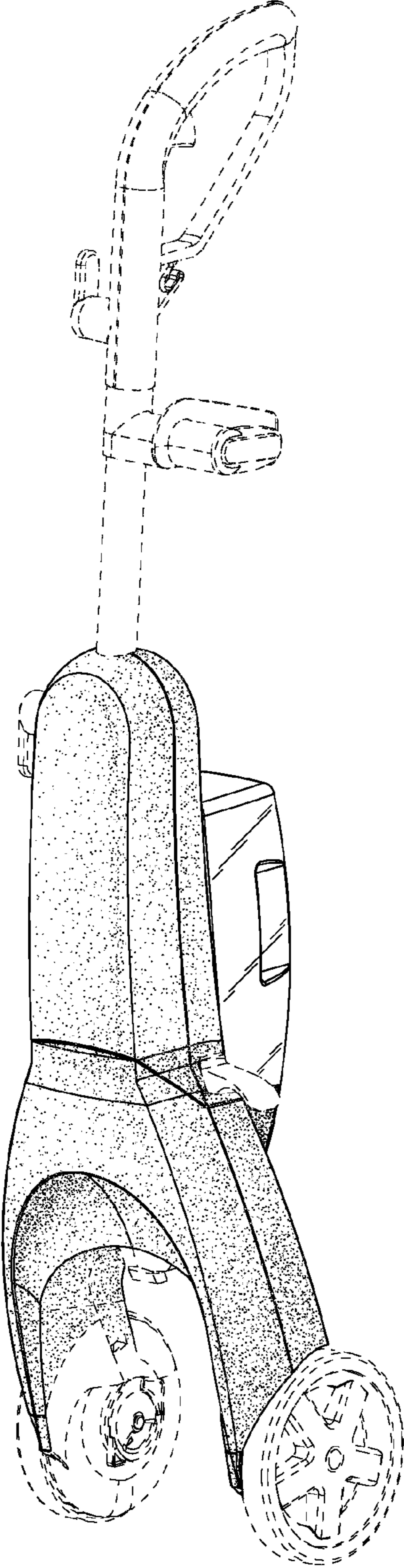


Fig. 1

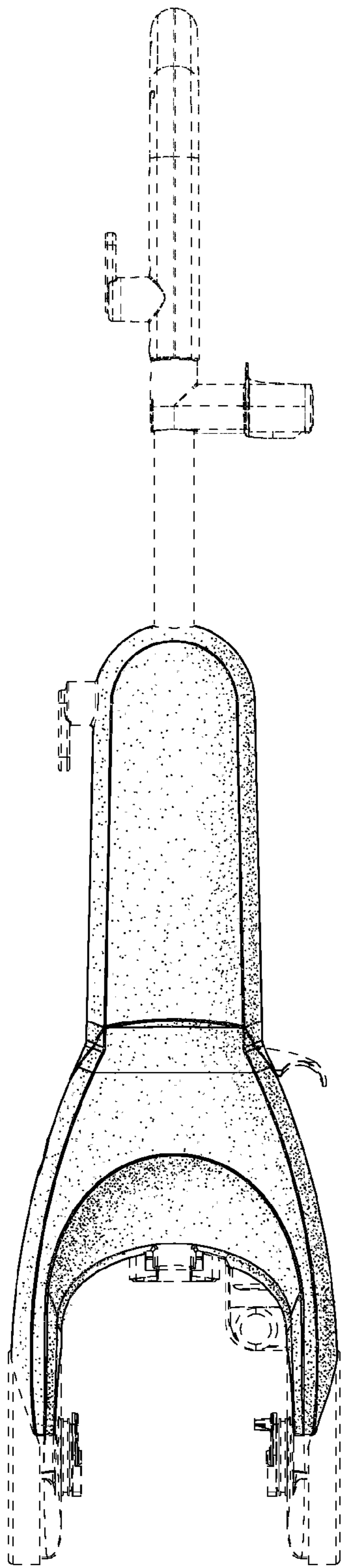


Fig. 2

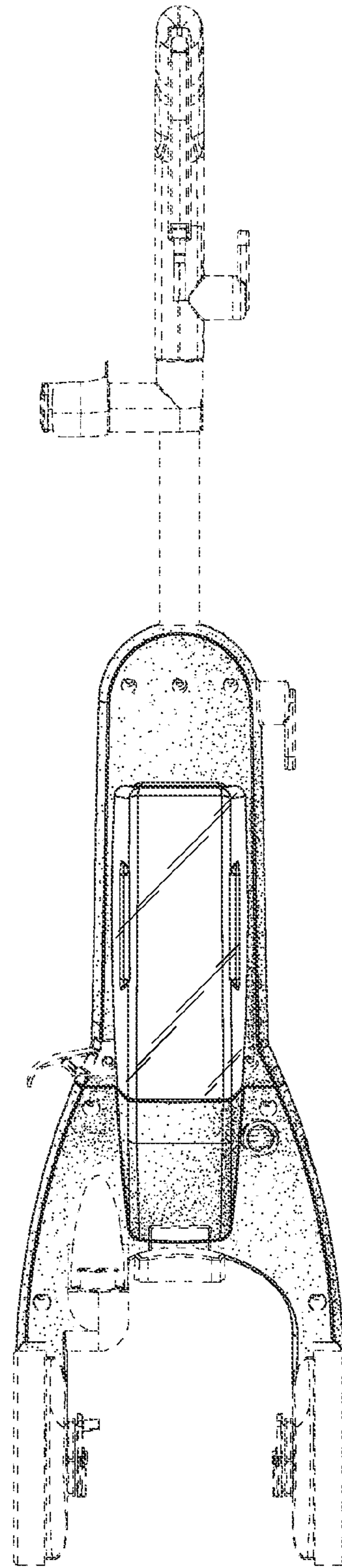


Fig. 3

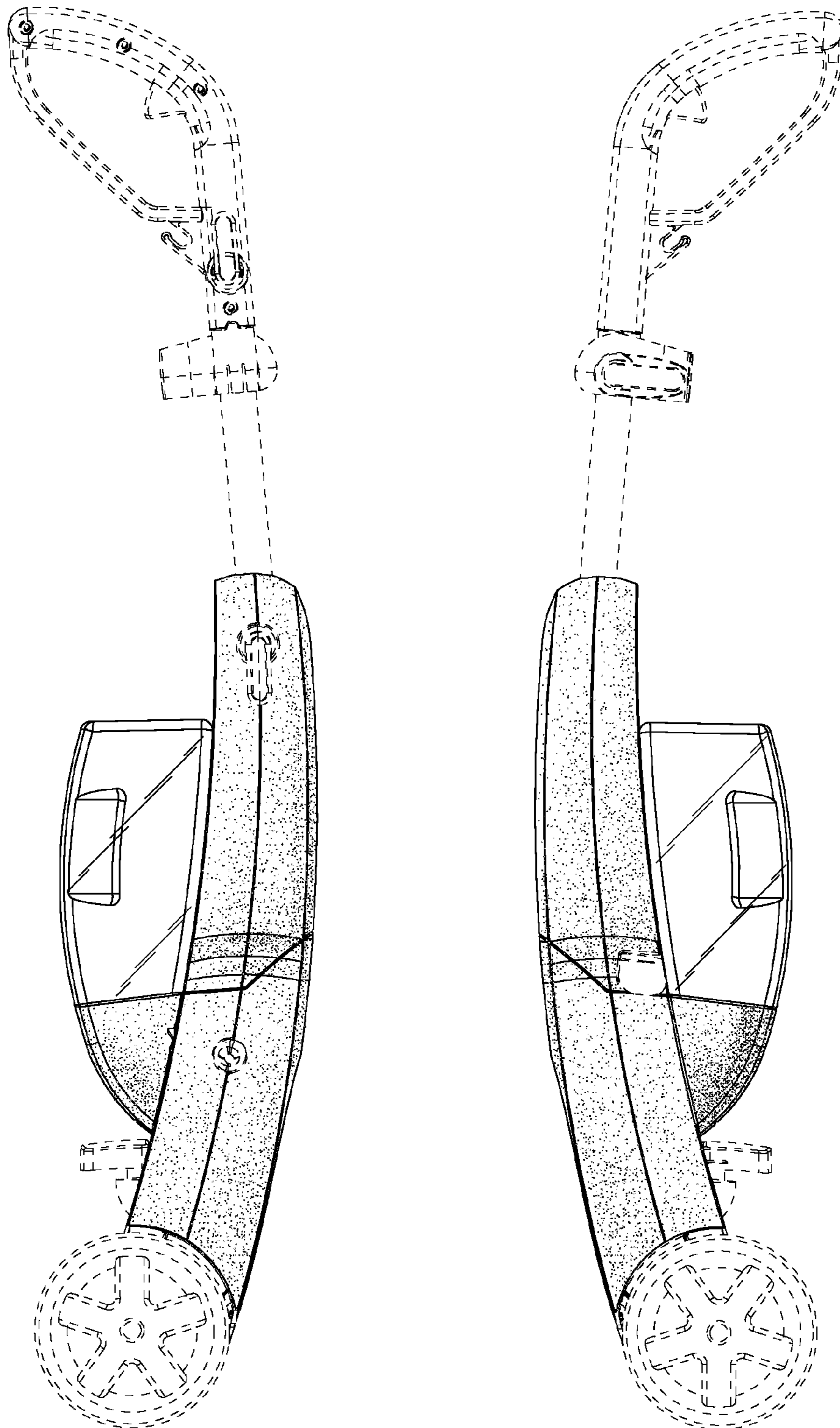


Fig. 4

Fig. 5

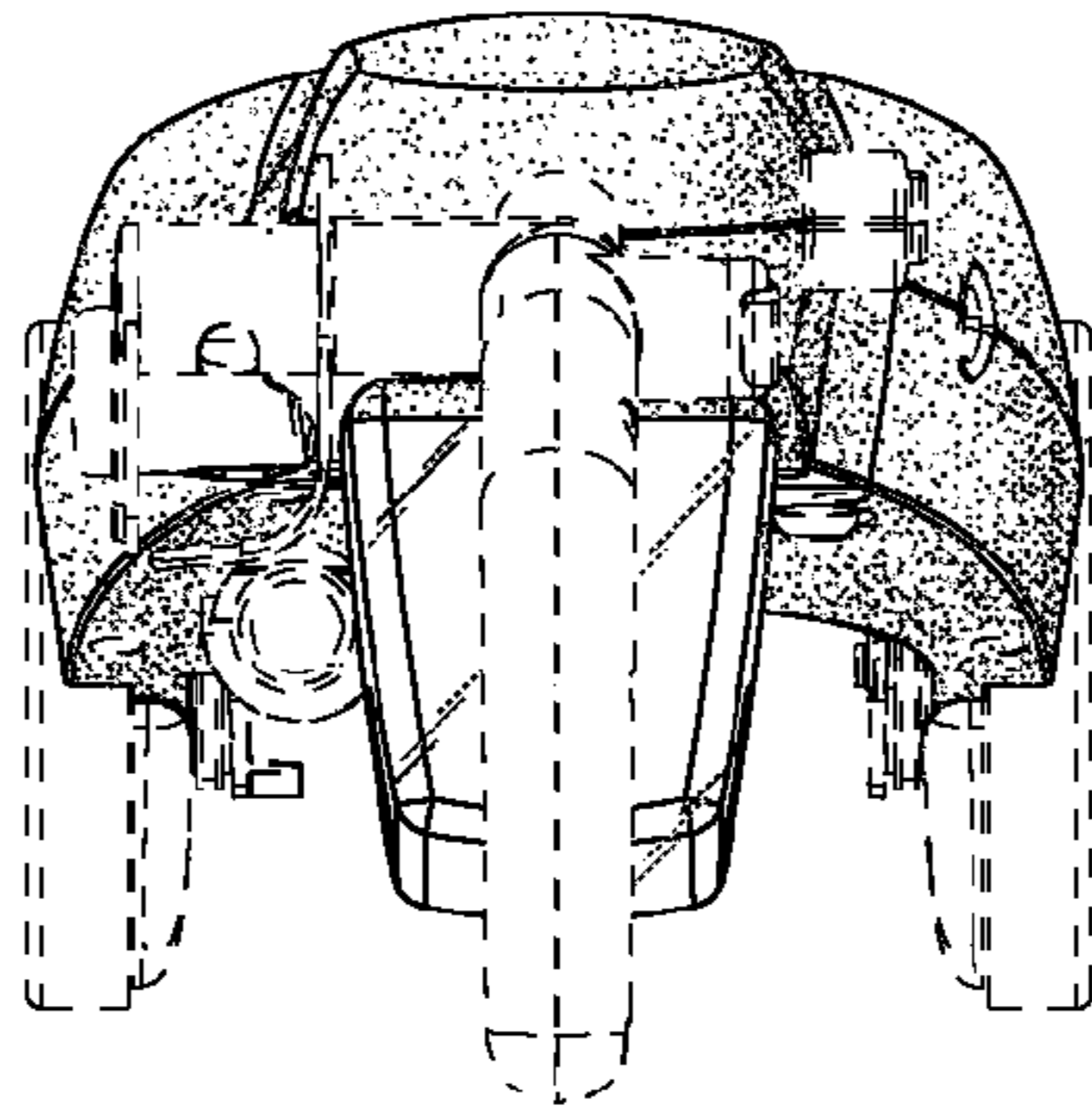


Fig. 6

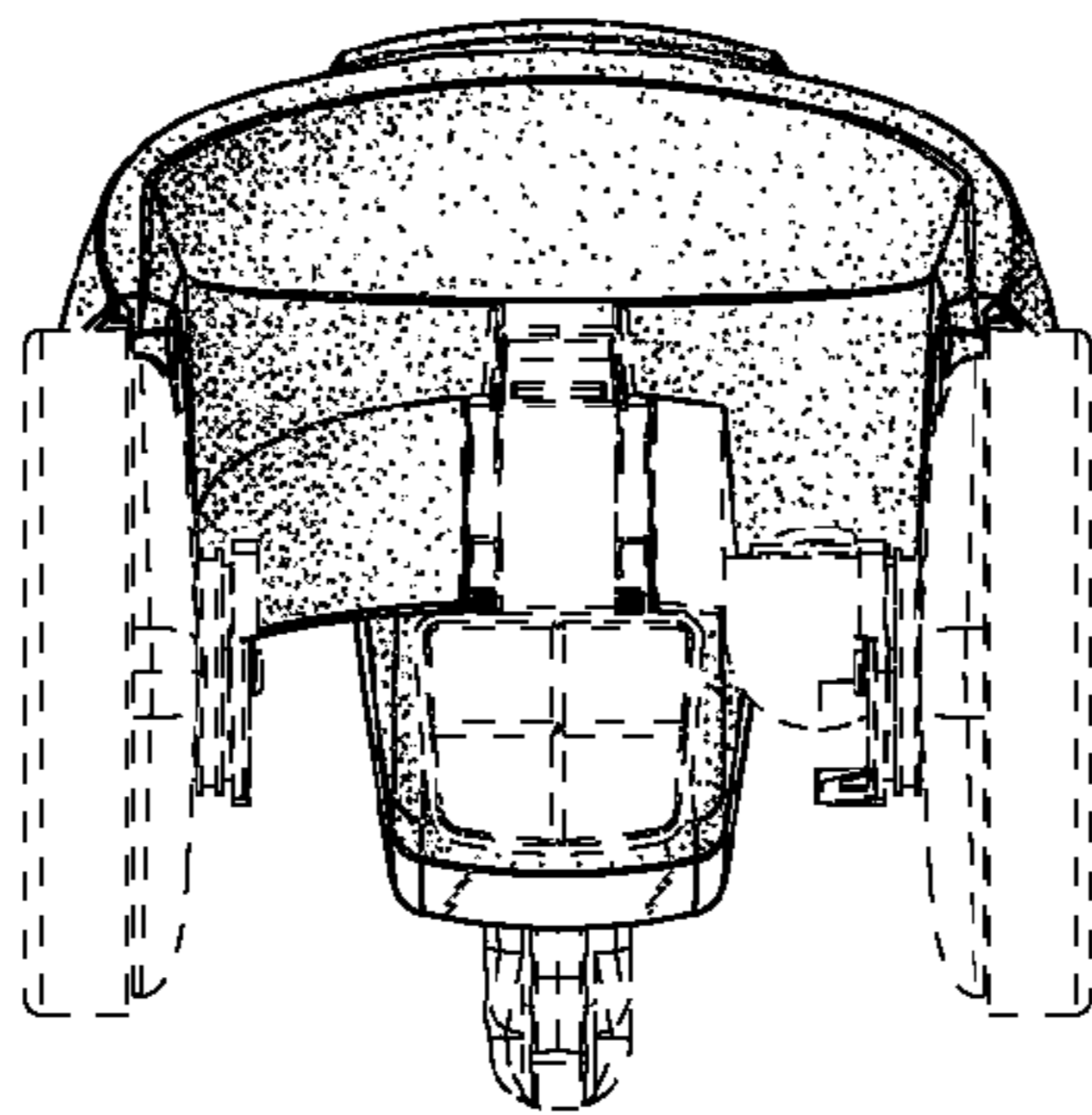


Fig. 7