



US00D667179S

(12) **United States Design Patent**
Jeon et al.

(10) **Patent No.:** **US D667,179 S**

(45) **Date of Patent:** **** Sep. 11, 2012**

(54) **DRAWER-SHAPED WASHING MACHINE**

(75) Inventors: **Hoil Jeon**, Gyeonggi-do (KR);
Junghwan Lee, Seoul (KR); **On Kim**,
Seoul (KR); **Nerry Son**, Seoul (KR);
Yeji Um, Seoul (KR)

(73) Assignee: **LG Electronics Inc.**, Seoul (KR)

(**) Term: **14 Years**

(21) Appl. No.: **29/411,792**

(22) Filed: **Jan. 26, 2012**

(30) **Foreign Application Priority Data**

Jul. 28, 2011 (KR) 30-2011-0031640

(51) **LOC (9) Cl.** **15-05**

(52) **U.S. Cl.** **D32/6**

(58) **Field of Classification Search** D32/1,
D32/5, 6, 8, 10; 68/3 R, 5 R, 12.01, 12.07,
68/12.08, 13 R, 27, 38, 235 R; 34/523-524,
34/87-88; 312/31; 134/184, 198

See application file for complete search history.

(56) **References Cited**

U.S. PATENT DOCUMENTS

3,065,621	A *	11/1962	Sam	68/148
6,168,887	B1 *	1/2001	Dahn et al.	429/224
D521,702	S *	5/2006	No et al.	D32/25
D549,408	S *	8/2007	Lee	D32/25
7,617,702	B2 *	11/2009	Sunshine et al.	68/3 R
7,628,043	B2 *	12/2009	Sunshine et al.	68/38
D617,965	S *	6/2010	Grutzke et al.	D32/25
D620,211	S *	7/2010	Shail	D32/25
D629,168	S *	12/2010	Park et al.	D32/25
7,874,185	B2 *	1/2011	Graute et al.	68/3 R
D633,670	S *	3/2011	Grutzke et al.	D32/25
7,921,679	B2 *	4/2011	Jo	68/3 R

D645,623	S *	9/2011	Helot et al.	D32/25
2006/0112737	A1 *	6/2006	Sunshine et al.	68/3 R
2007/0151300	A1 *	7/2007	Sunshine	68/3 R
2008/0052950	A1 *	3/2008	Park et al.	34/524
2009/0145174	A1 *	6/2009	Kim et al.	68/27
2009/0145175	A1 *	6/2009	Kim et al.	68/27
2009/0145176	A1 *	6/2009	Kim et al.	68/27
2009/0145177	A1 *	6/2009	Kim et al.	68/13 R
2009/0146536	A1 *	6/2009	Kim et al.	312/228
2010/0011609	A1 *	1/2010	Park et al.	34/88
2011/0030428	A1 *	2/2011	Han et al.	68/5 R
2011/0232698	A1 *	9/2011	Gomez Caudevilla et al.	134/184

* cited by examiner

Primary Examiner — T. Chase Nelson

Assistant Examiner — Kathleen M Sims

(74) *Attorney, Agent, or Firm* — Morgan, Lewis & Bockius
LLP

(57) **CLAIM**

The ornamental design for a drawer-shaped washing machine, as shown and described.

DESCRIPTION

FIG. 1 is a perspective view of a drawer-shaped washing machine showing our new design;

FIG. 2 is a front view thereof;

FIG. 3 is a rear view thereof;

FIG. 4 is a left side view thereof where the right side view is a mirror image;

FIG. 5 is a top plan view thereof;

FIG. 6 is a bottom plan view thereof; and,

FIG. 7 is a left side view thereof showing the state that the doors of the drawer-shaped washing machine have been closed.

The broken lines depict portions of the drawer-shaped washing machine that form no part of the claimed design.

1 Claim, 6 Drawing Sheets

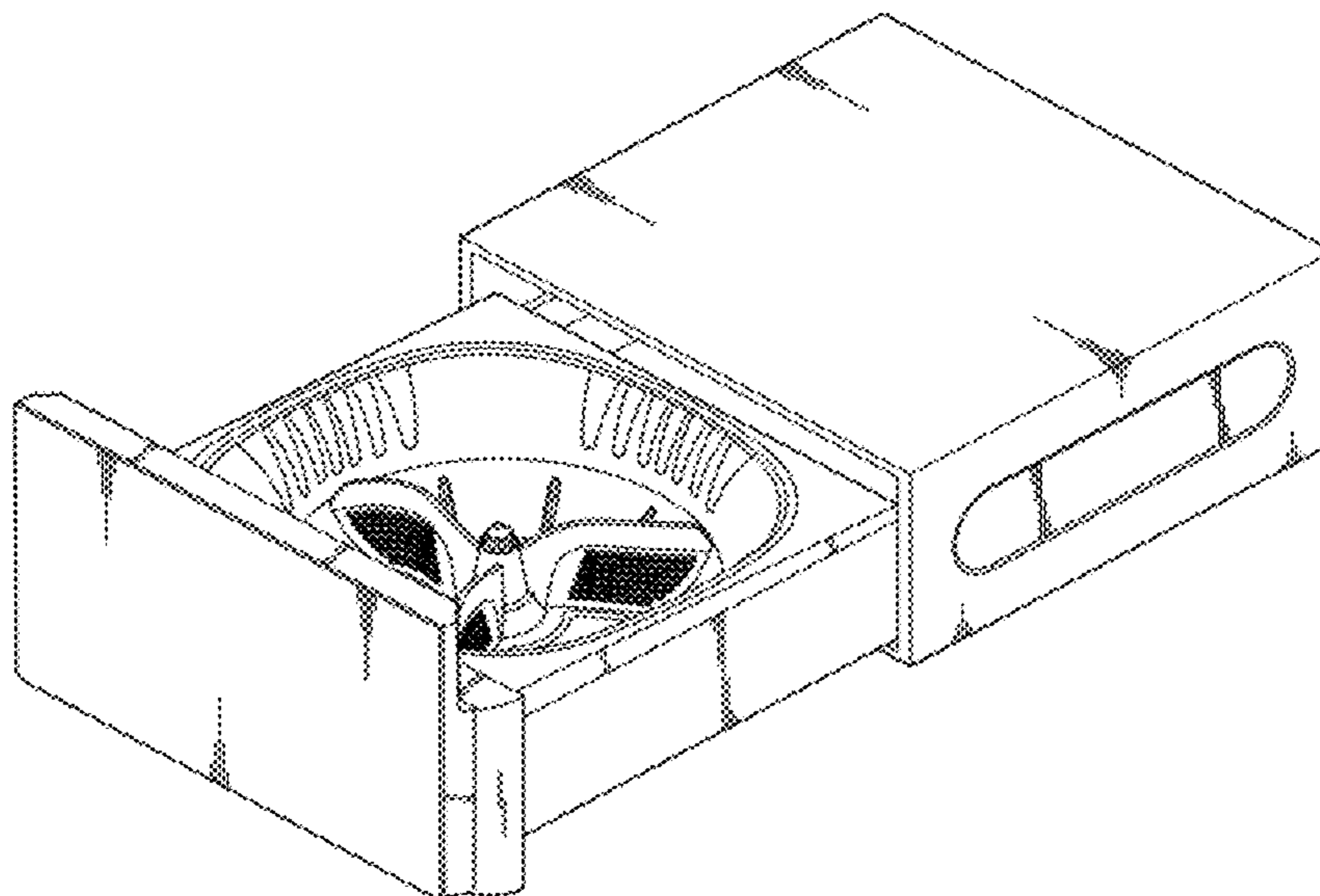


FIG. 1

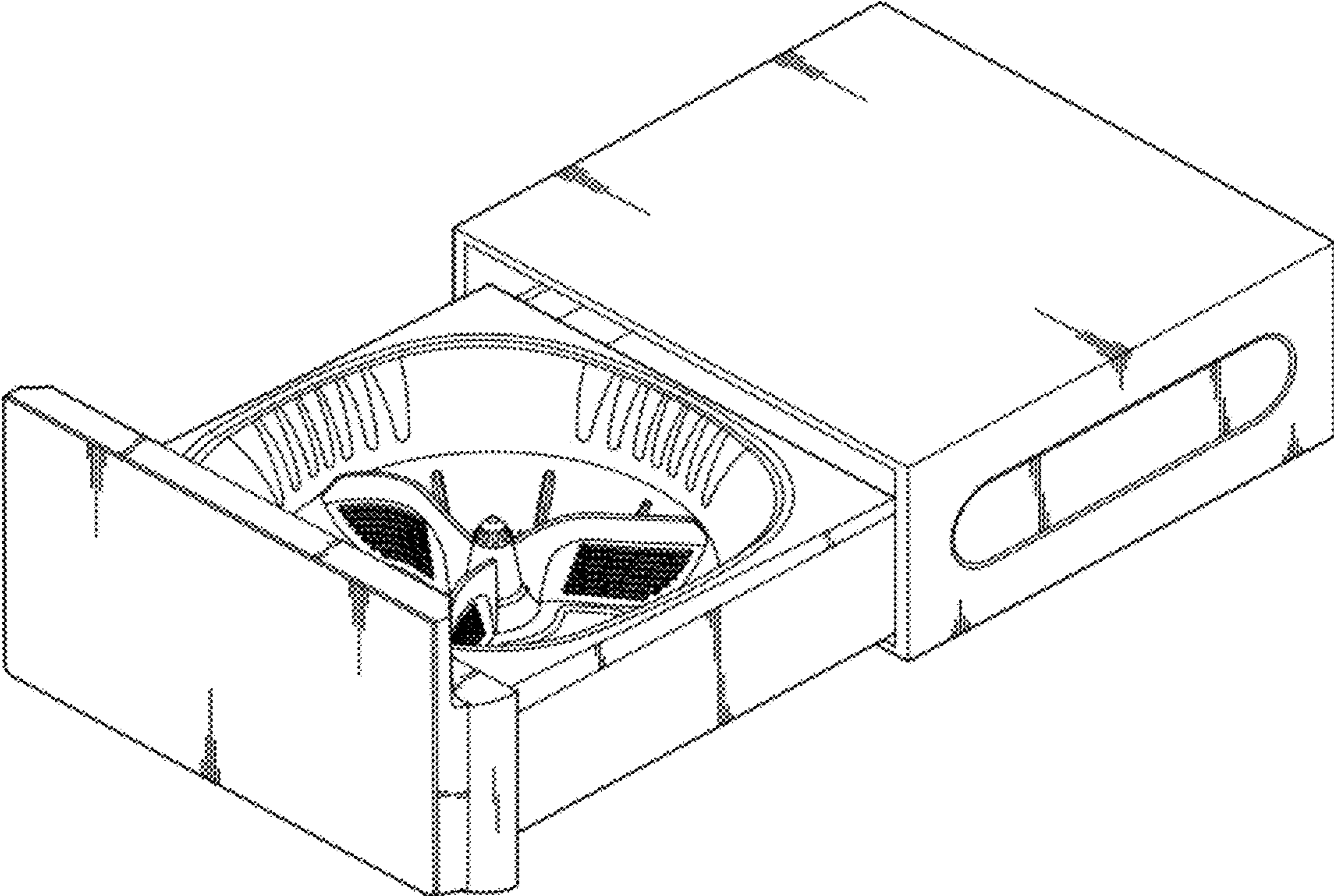


FIG. 2

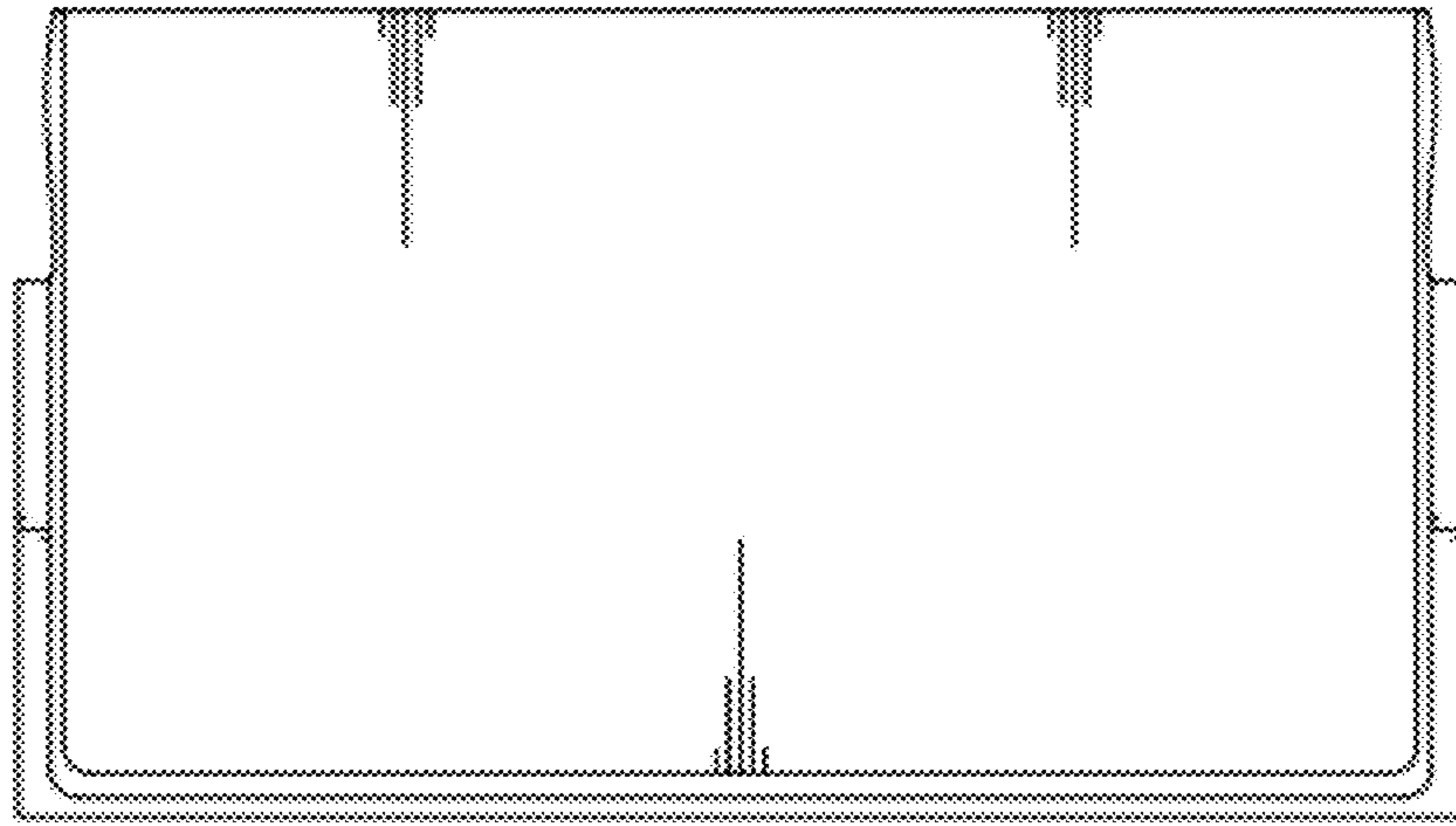


FIG. 3

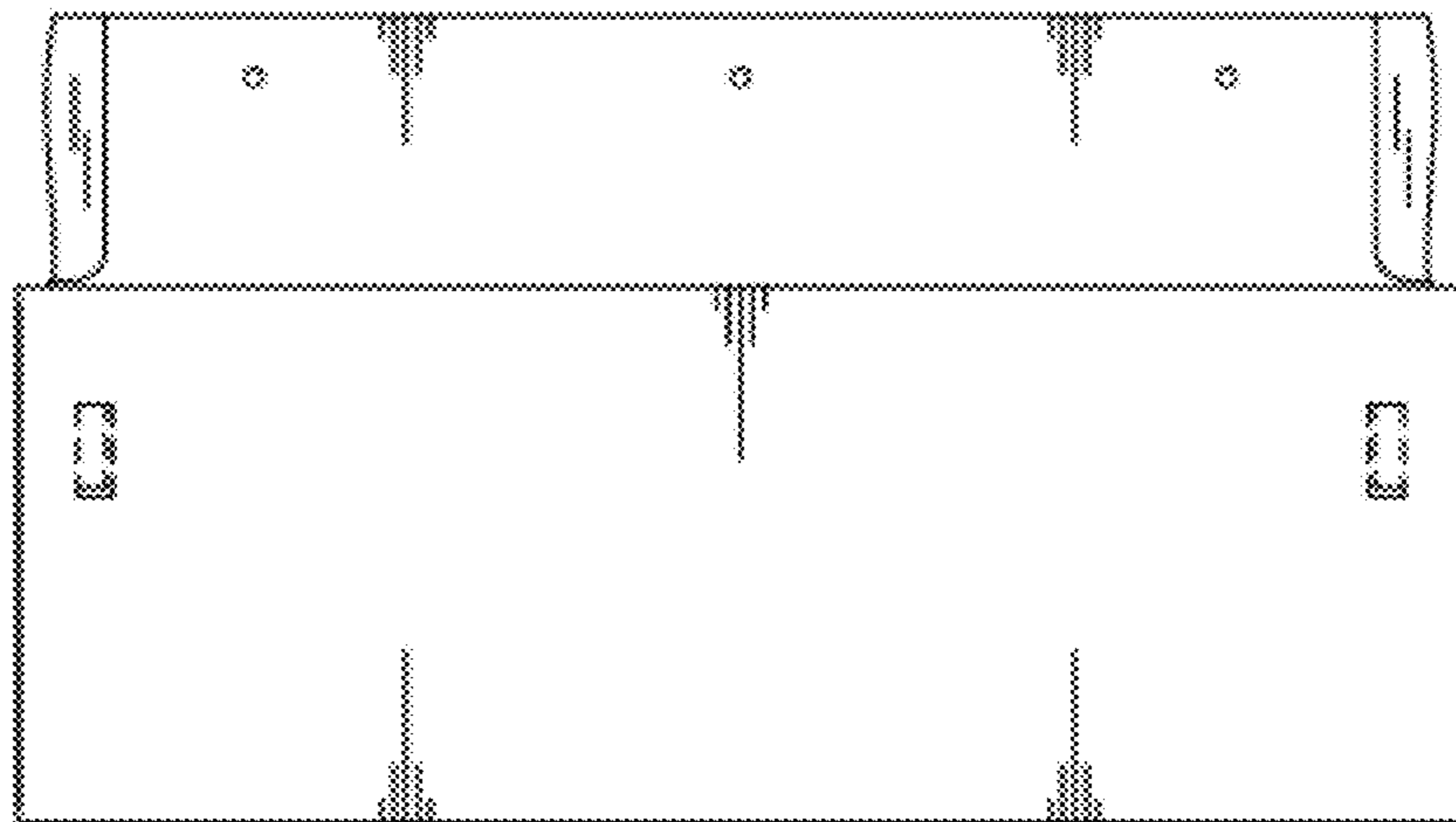


FIG. 4

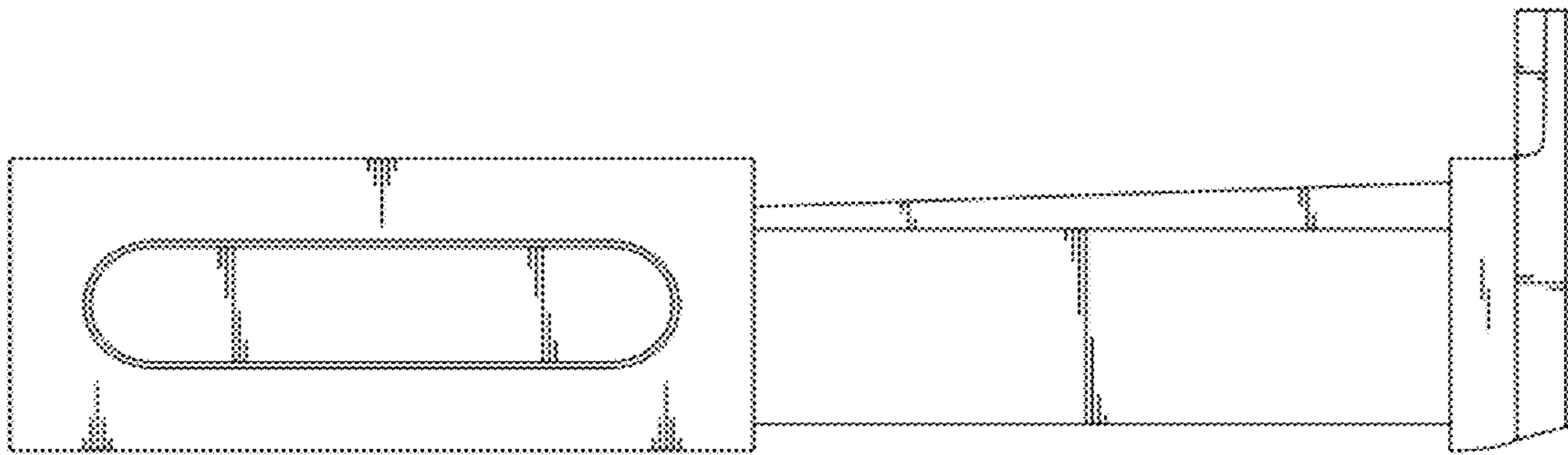


FIG. 5

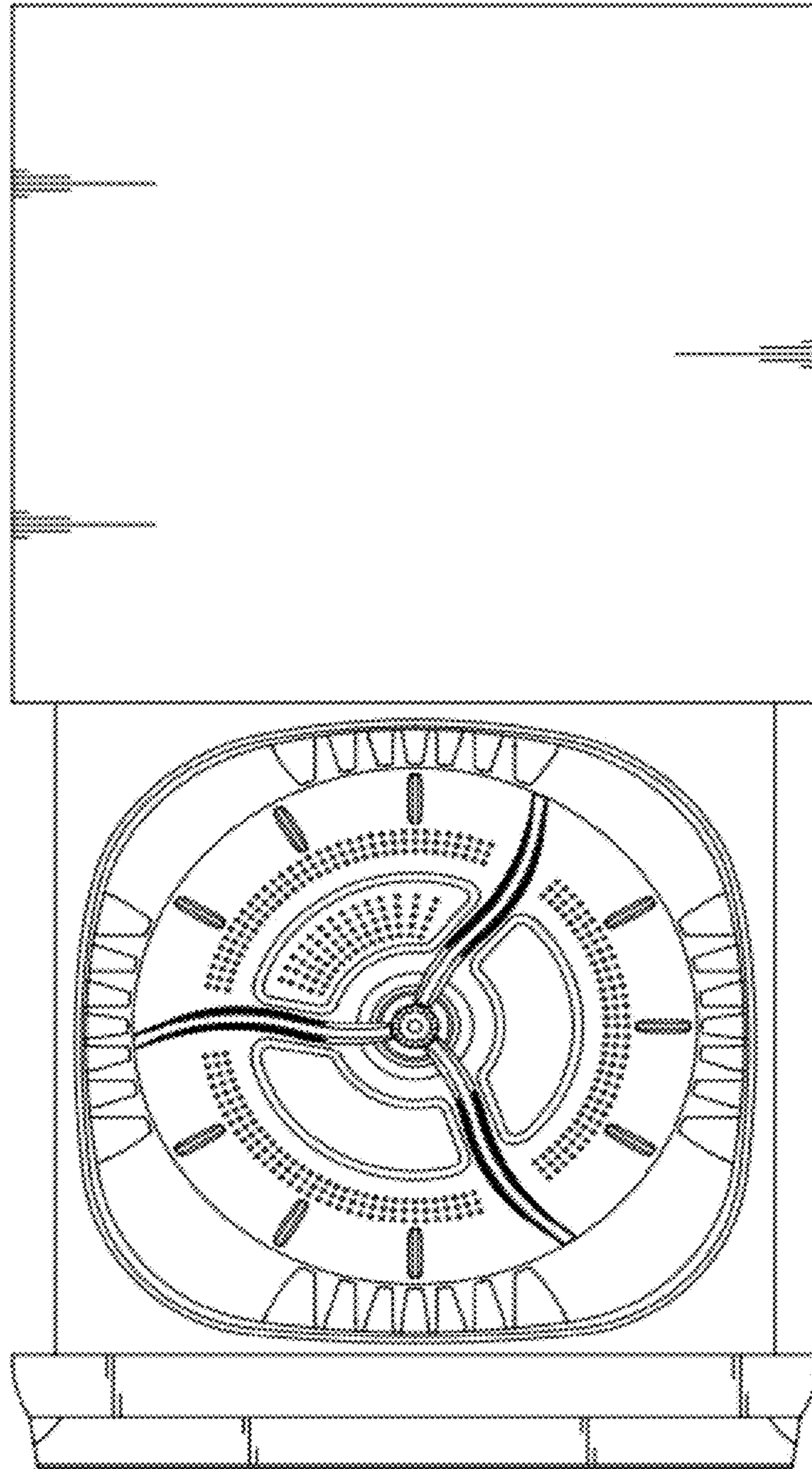


FIG. 6

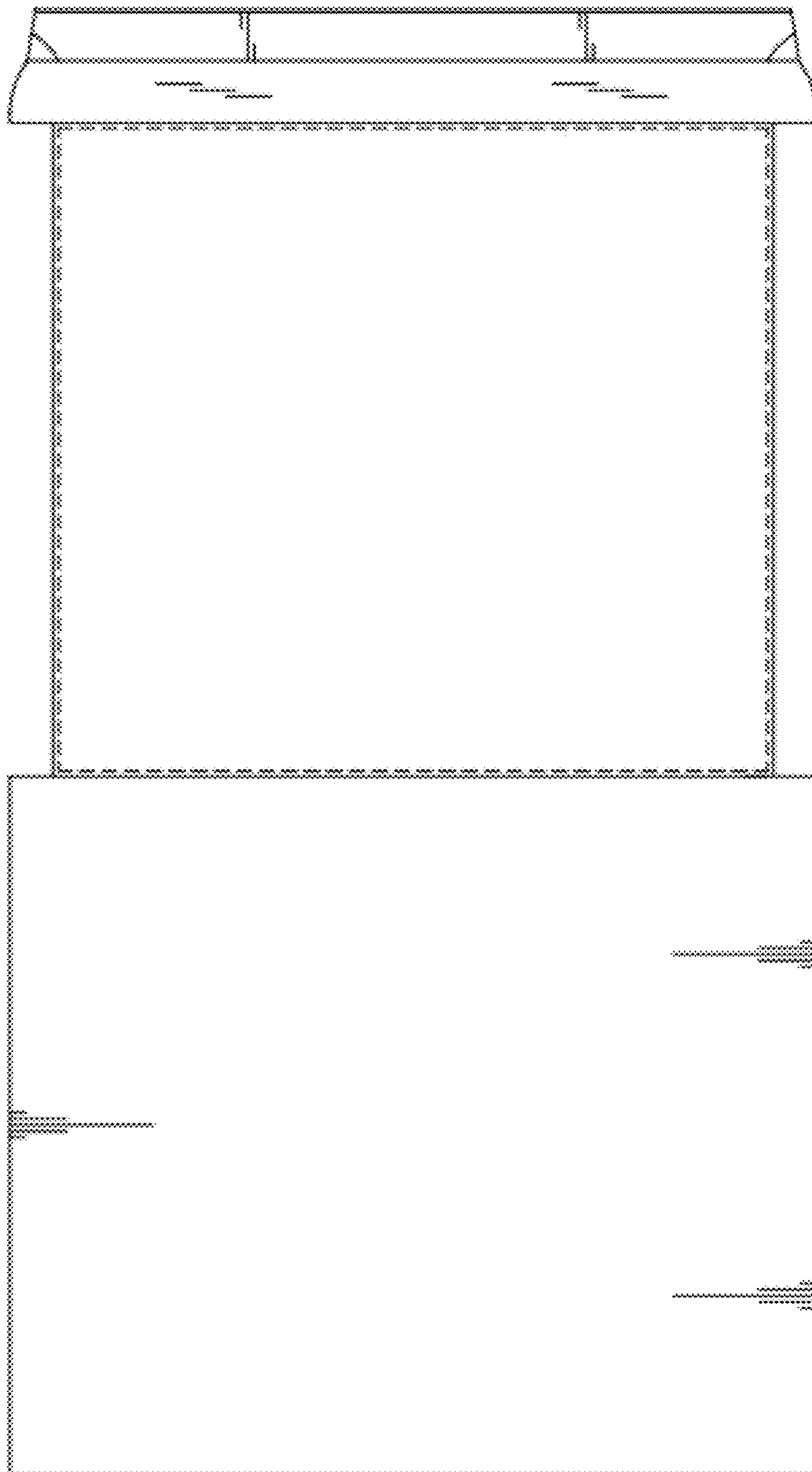


FIG. 7

