

US00D667178S

(12) **United States Design Patent**
Belanger et al.

(10) **Patent No.:** **US D667,178 S**

(45) **Date of Patent:** **** Sep. 11, 2012**

(54) **OVERHEAD CARRIAGE FOR VEHICLE WASHER**

(75) Inventors: **Michael L. Belanger**, Novi, MI (US);
Thomas E. Weyandt, Northville, MI (US); **Barry S. Turner**, Novi, MI (US)

(73) Assignee: **Belanger, Inc.**, Northville, MI (US)

(**) Term: **14 Years**

(21) Appl. No.: **29/399,359**

(22) Filed: **Aug. 12, 2011**

(51) **LOC (9) Cl.** **15-05**

(52) **U.S. Cl.** **D32/4**

(58) **Field of Classification Search** D32/1,
D32/4; 134/18, 34, 56 R, 57 R, 123, 198;
15/53.1, 53.2, 53.3, 319, 321, DIG. 2
See application file for complete search history.

(56) **References Cited**

U.S. PATENT DOCUMENTS

D185,397	S	*	6/1959	Thompson	D32/4
D185,919	S	*	8/1959	Fruchter	D32/4
D189,432	S	*	12/1960	Emanuel	D32/4
D212,901	S	*	12/1968	Smith	D32/4
D212,903	S	*	12/1968	Smith	D32/4
D212,904	S	*	12/1968	Smith	D32/4
D214,286	S	*	5/1969	Smith	D32/4
3,701,386	A	*	10/1972	Feucht	173/78
D228,572	S	*	10/1973	Genaro	D32/4
D231,388	S	*	4/1974	Rupp	D32/4
D236,281	S	*	8/1975	Hanna	D32/4
D236,282	S	*	8/1975	Hanna	D32/4
4,809,392	A	*	3/1989	Larson et al.	15/312.1
D334,256	S	*	3/1993	Jackson et al.	D32/4
D375,389	S	*	11/1996	Belanger et al.	D32/4

6,807,973	B2	*	10/2004	Fratello et al.	134/123
D519,690	S	*	4/2006	Förster et al.	D32/4
7,056,390	B2	*	6/2006	Fratello et al.	134/18
8,069,867	B2	*	12/2011	Turner et al.	134/123
2011/0277797	A1	*	11/2011	Turner et al.	134/123

* cited by examiner

Primary Examiner — T. Chase Nelson

Assistant Examiner — Kathleen M Sims

(74) *Attorney, Agent, or Firm* — Young Basile Hanlon & MacFarlane PC

(57) **CLAIM**

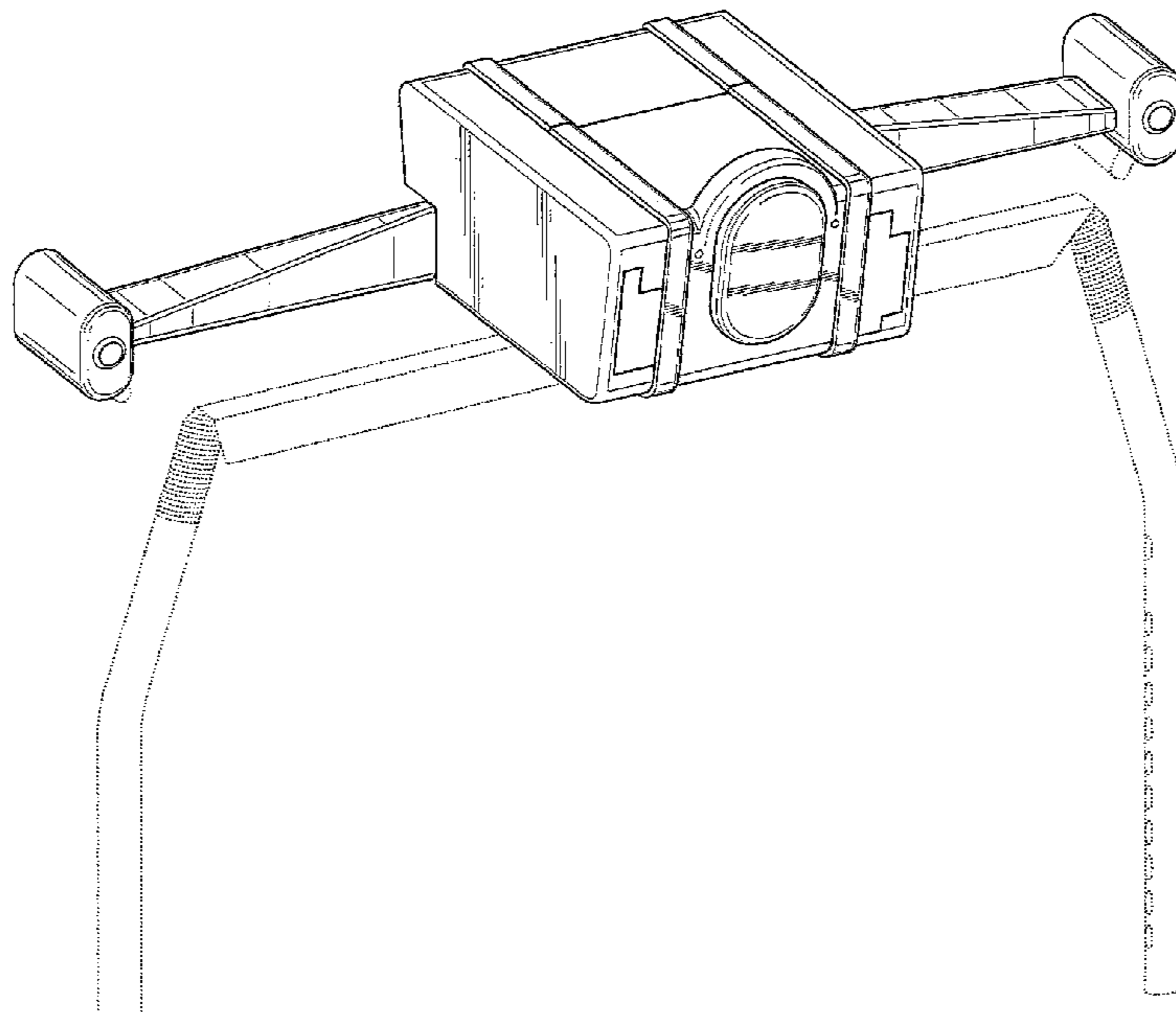
The design for an overhead carriage for vehicle washer, substantially as shown and described.

DESCRIPTION

FIG. 1 is a first perspective view of an overhead carriage for a vehicle washer showing our new design; FIG. 2 is a second perspective view thereof; FIG. 3 is a front elevational view thereof; FIG. 4 is a top plan view thereof; FIG. 5 is an enlarged side elevational view thereof; FIG. 6 is a rear elevational view thereof; and, FIG. 7 is a bottom plan view thereof.

The broken line showing of a double-spray arm in FIG. 1 and a single spray arm in FIG. 2 is included for the purpose of showing environmental portions of the overhead carriage for a vehicle washer and forms no part of the claimed design. The broken line showing of a hole in FIG. 7 also shows an environmental portion of the overhead carriage for a vehicle washer, particularly an opening to permit connection of the spray arm or arms shown in broken line in FIG. 1, and forms no part of the claimed design.

1 Claim, 5 Drawing Sheets



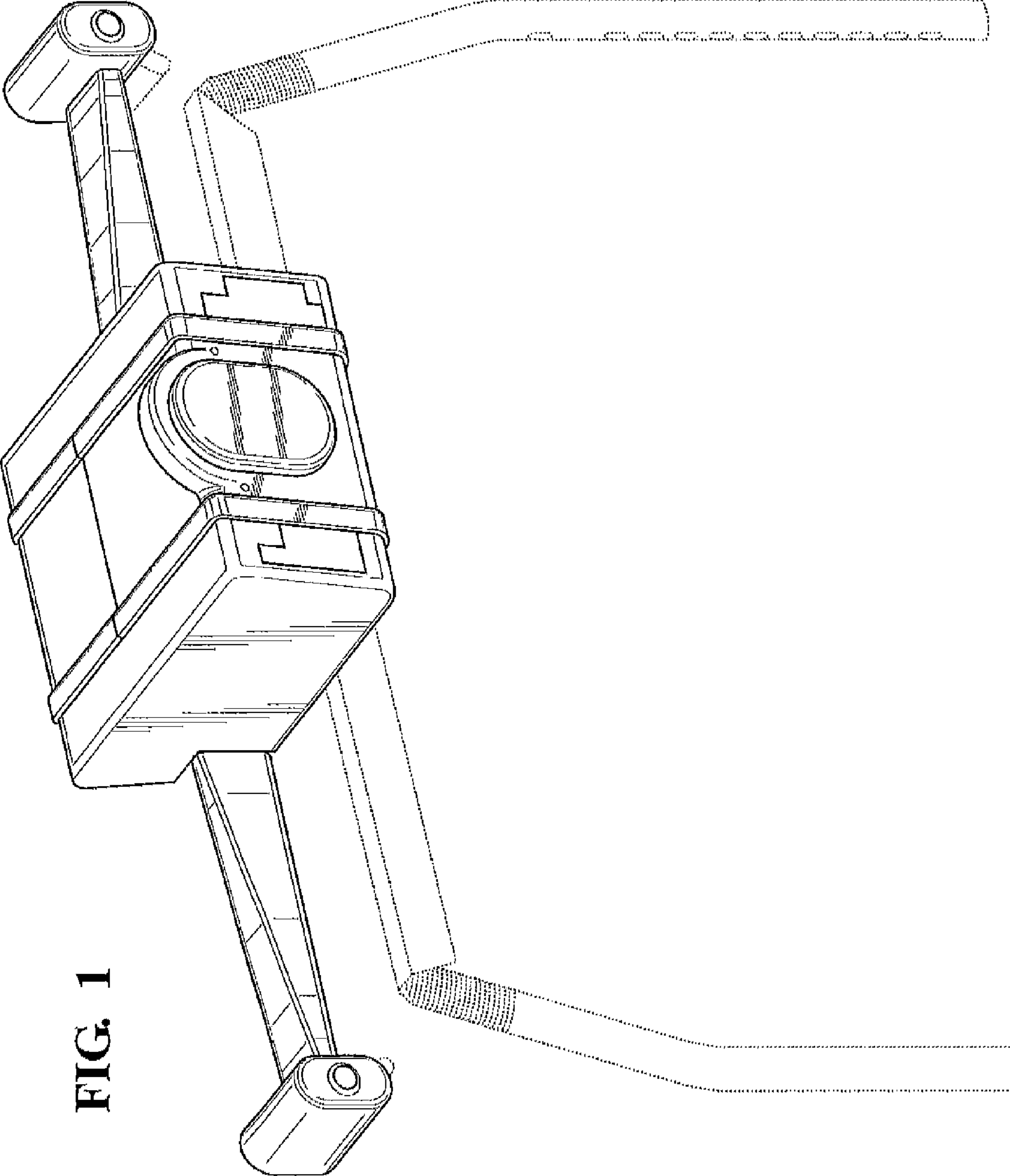


FIG. 1

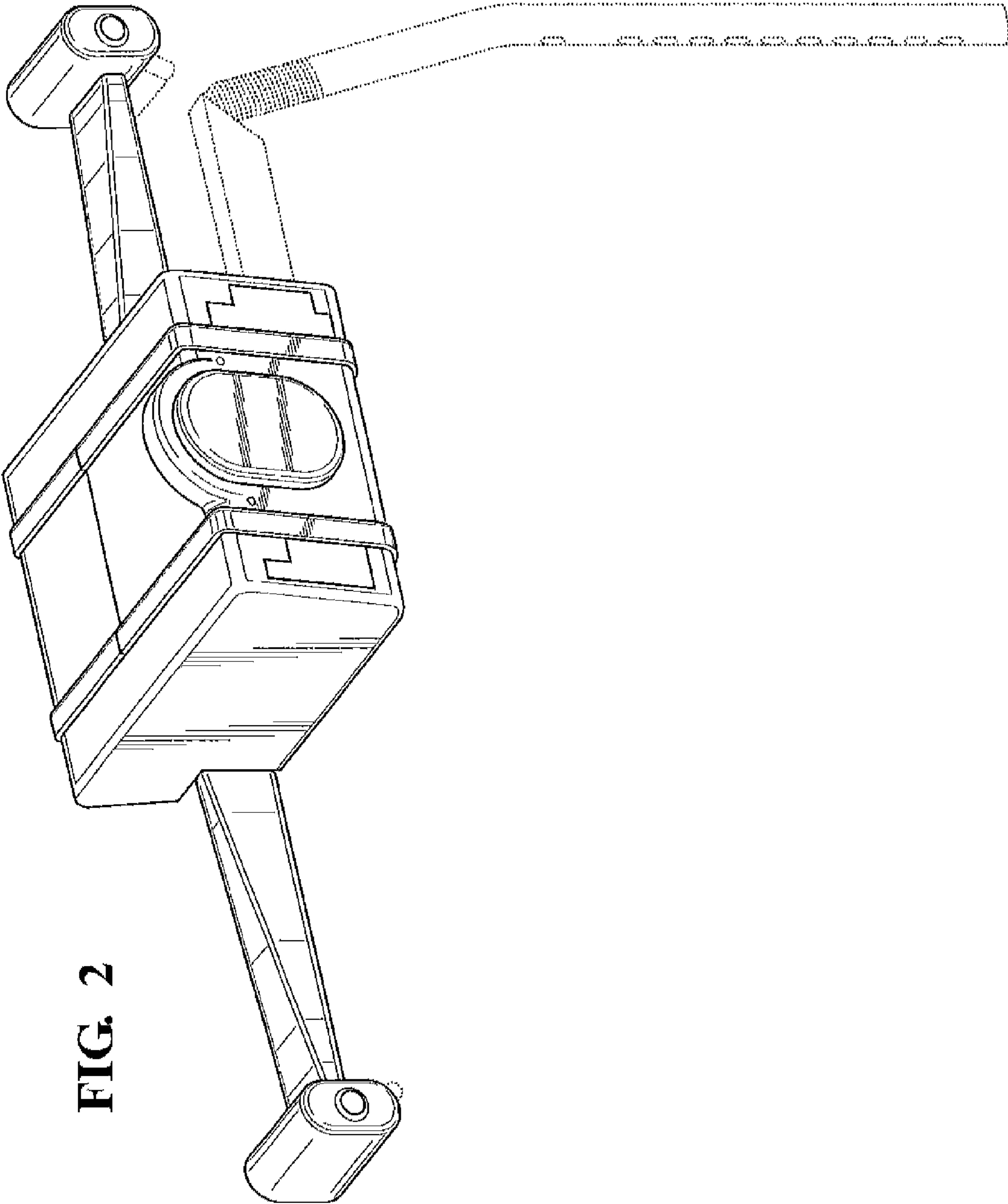


FIG. 2

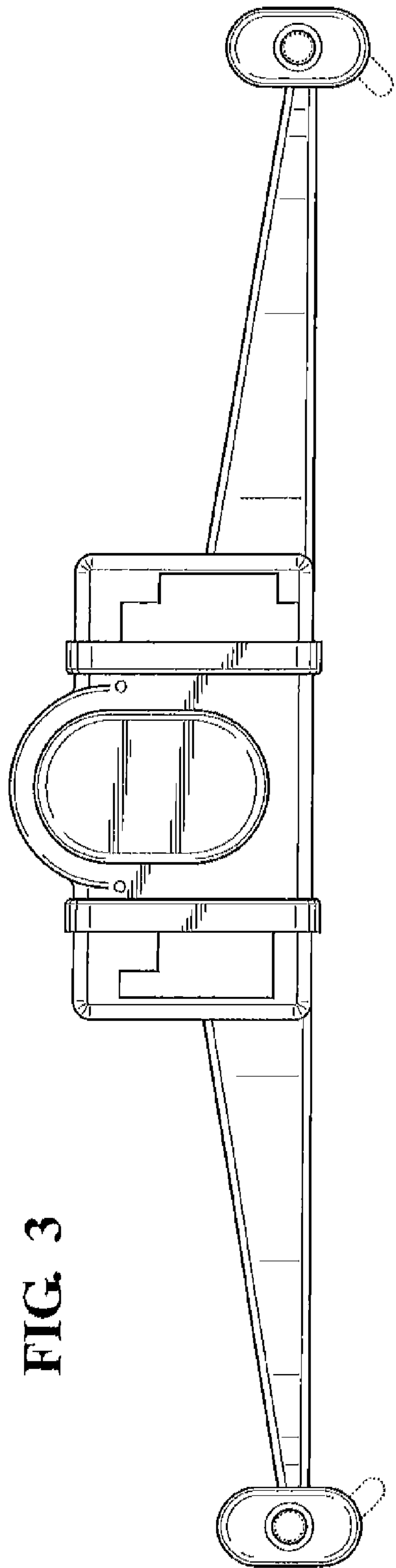


FIG. 3

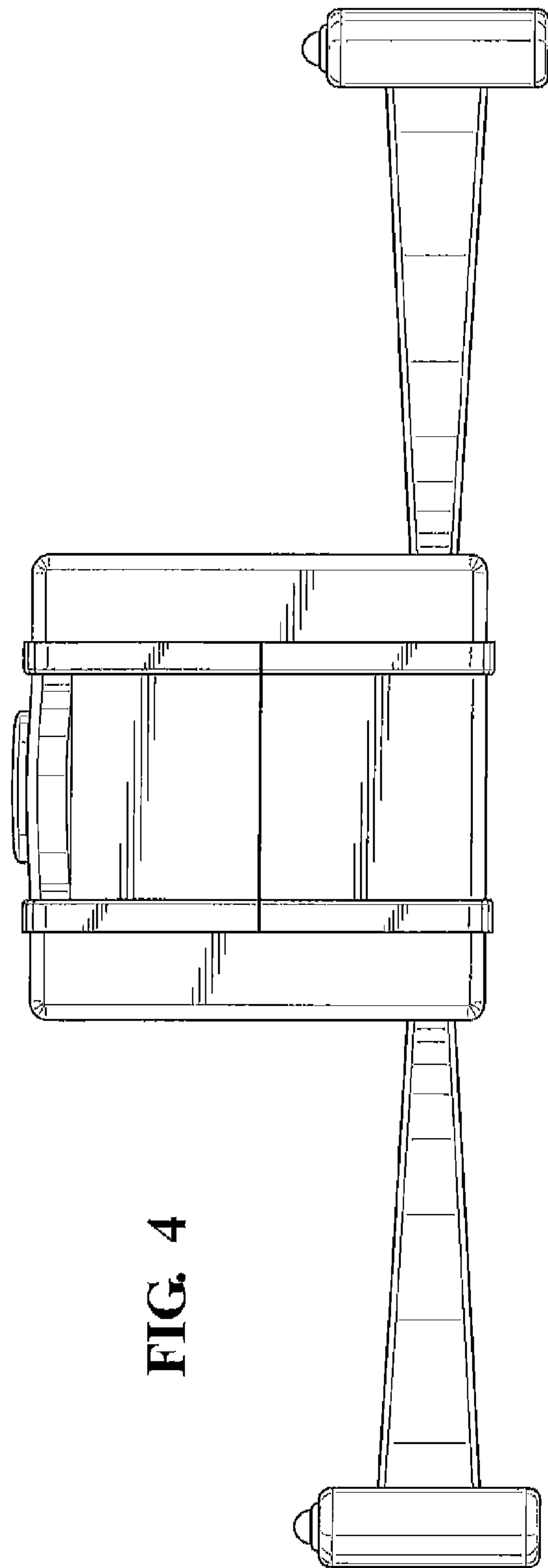


FIG. 4

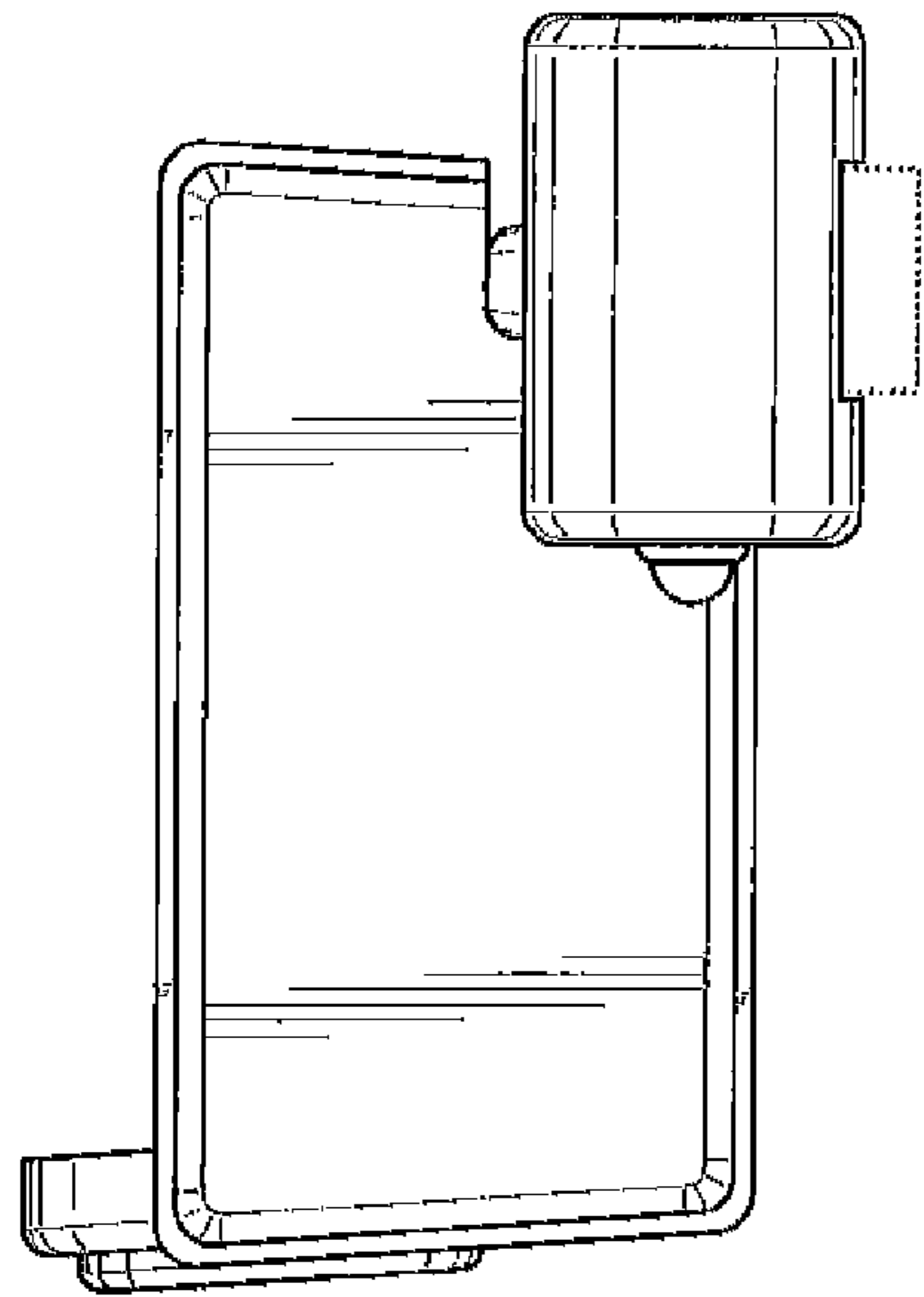


FIG. 5

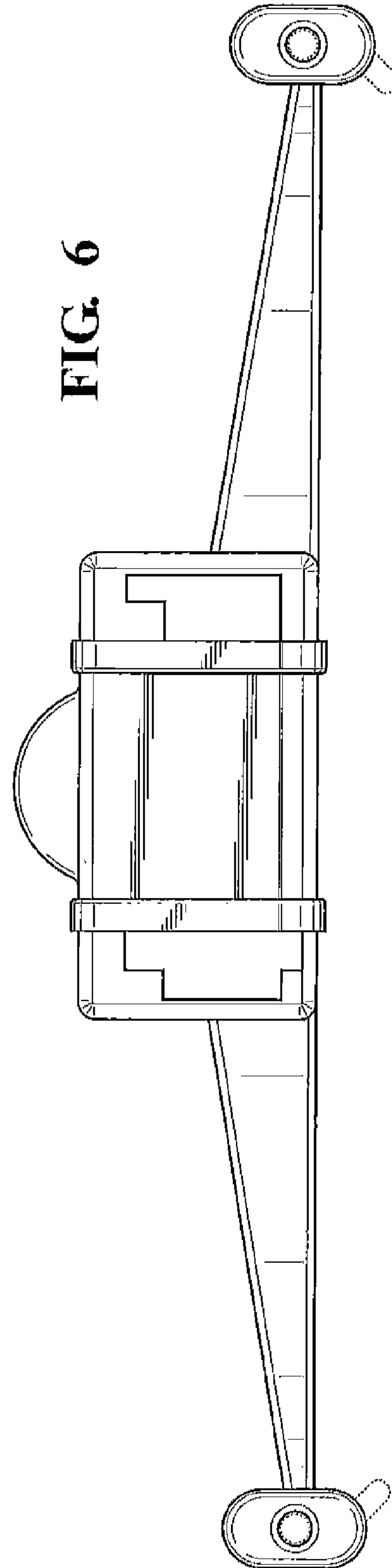


FIG. 6

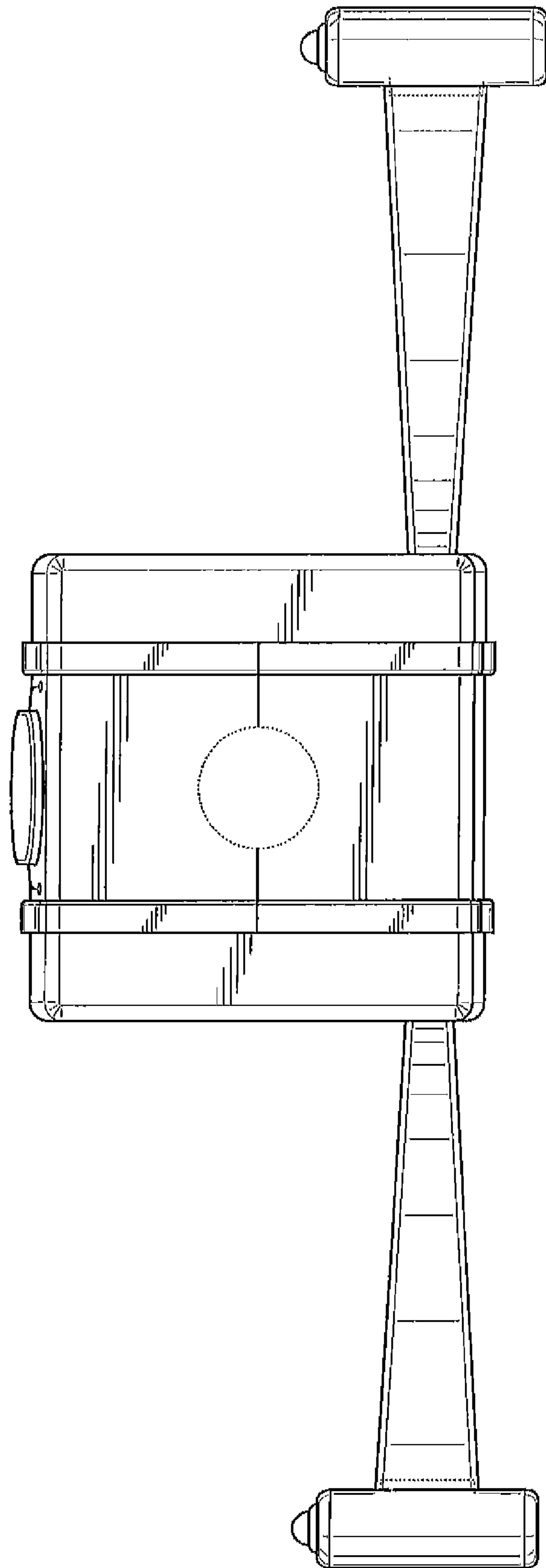


FIG. 7