

US00D667175S

(12) **United States Design Patent**
McMurphy

(10) **Patent No.:** **US D667,175 S**

(45) **Date of Patent:** **** Sep. 11, 2012**

(54) **PET BOWL**

(76) Inventor: **John McMurphy**, Otis, CO (US)

(**) Term: **14 Years**

(21) Appl. No.: **29/387,586**

(22) Filed: **Mar. 15, 2011**

Related U.S. Application Data

(63) Continuation-in-part of application No. 12/949,333, filed on Nov. 18, 2010.

(51) **LOC (9) Cl.** **30-03**

(52) **U.S. Cl.** **D30/133; D30/131; D30/130**

(58) **Field of Classification Search** D30/133, D30/121, 128, 130, 132; 119/52.1, 55, 61.5-61.56; D6/480-485; 248/188; 312/204; 108/153.1-157
See application file for complete search history.

(56) **References Cited**

U.S. PATENT DOCUMENTS

| | | | |
|---------------|---------|------------------|-----------|
| D96,552 S | 8/1935 | Houghton, Jr. | |
| D105,450 S * | 7/1937 | Clifton | D30/130 |
| 2,944,694 A * | 7/1960 | Kinsey | 206/541 |
| 3,180,316 A * | 4/1965 | Chatfield et al. | 119/51.12 |
| 3,232,274 A * | 2/1966 | Chatfield et al. | 119/51.12 |
| 3,589,554 A * | 6/1971 | Smith | 220/23.83 |
| 3,631,840 A * | 1/1972 | McCormack | 119/51.12 |
| D230,033 S * | 1/1974 | Goldman et al. | D30/130 |
| D232,564 S | 8/1974 | Kissin | |
| 4,357,905 A | 11/1982 | Carpenter | |
| 4,532,891 A | 8/1985 | Jones | |
| D312,896 S | 12/1990 | Goetz | |
| 5,123,564 A * | 6/1992 | Hobson | 220/530 |
| 5,152,247 A | 10/1992 | Brown | |
| 5,174,245 A | 12/1992 | Bishop | |
| D346,465 S | 4/1994 | Russell et al. | |
| D352,516 S | 11/1994 | Newman et al. | |
| D353,232 S * | 12/1994 | Chrisco | D30/130 |
| 5,488,927 A | 2/1996 | Lorenzana et al. | |
| D367,736 S * | 3/1996 | Goetz | D30/130 |
| 5,509,376 A | 4/1996 | Tsengas | |
| 5,526,773 A | 6/1996 | Richardson | |

| | | | |
|---------------|---------|------------------|----------|
| 5,560,315 A * | 10/1996 | Lampe | 119/51.5 |
| 5,577,461 A | 11/1996 | Sebastian et al. | |
| 5,632,228 A * | 5/1997 | Ybarra | 119/51.5 |
| D393,107 S | 3/1998 | Tsengas | |
| 5,730,081 A * | 3/1998 | Tsengas | 119/51.5 |
| 5,743,210 A * | 4/1998 | Lampe | 119/51.5 |
| 5,752,464 A | 5/1998 | King et al. | |
| 5,884,580 A | 3/1999 | Faircloth, Jr. | |
| D424,252 S * | 5/2000 | Hirsh | D30/130 |
| 6,145,474 A | 11/2000 | Lemkin | |
| D449,137 S | 10/2001 | Newman | |
| D467,045 S | 12/2002 | Tsengas | |

(Continued)

OTHER PUBLICATIONS

“Designer Edition: Travel Bowls, Waterers, Food & Treat Bags,” The Kyjen Company website, as early as Oct. 28, 2007, available at <http://www.kyjen.com/pettravelgear/?page=pt-de-bowls>, printed on Jul. 2, 2008, 6 pages.

(Continued)

Primary Examiner — Susan Moon Lee

(74) *Attorney, Agent, or Firm* — Sheridan Ross P.C.

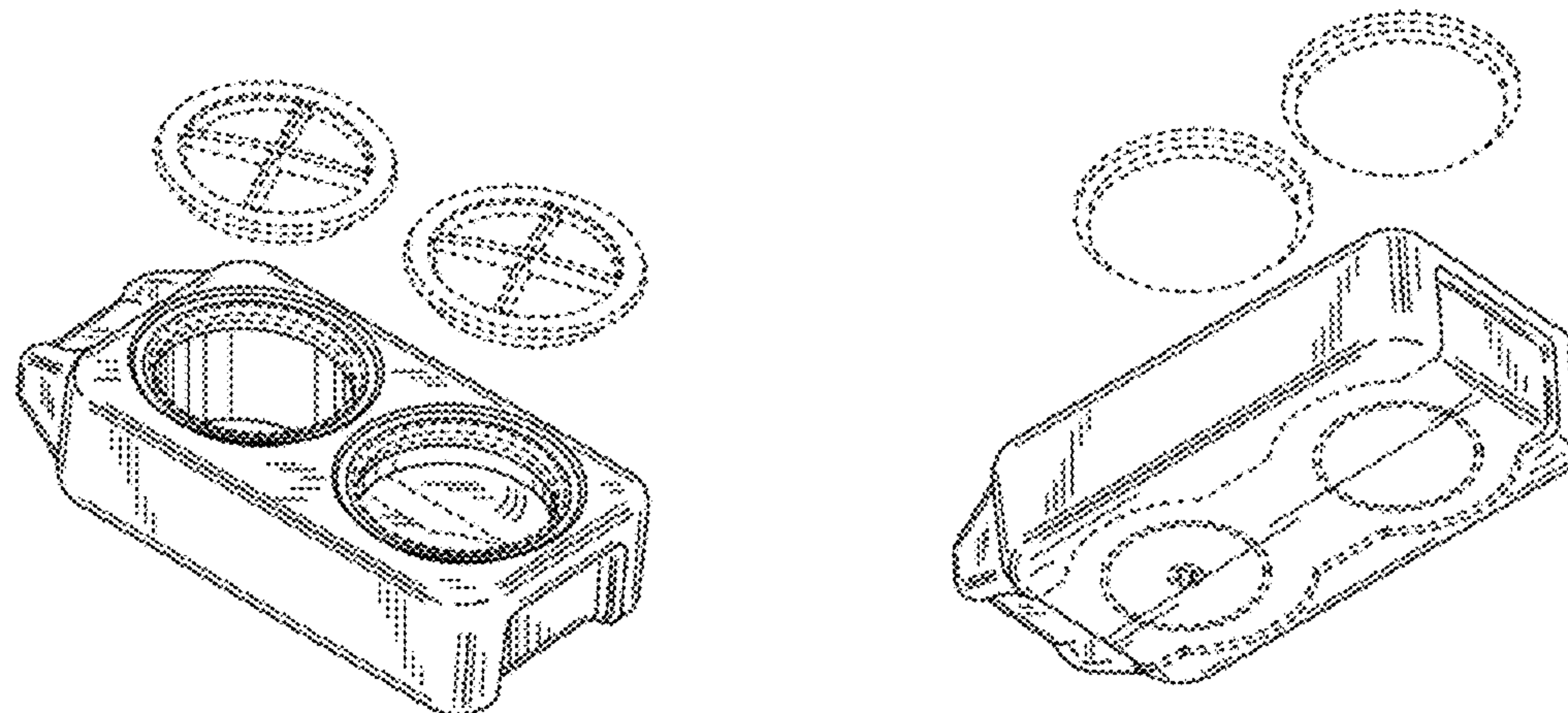
(57) **CLAIM**

The ornamental design for a pet bowl, as shown and described.

DESCRIPTION

FIG. 1 is a top perspective view of the pet bowl showing my new design;
FIG. 2 is a bottom perspective thereof;
FIG. 3 is a top plan view thereof;
FIG. 4 is a bottom plan view thereof;
FIG. 5 is a left elevation view thereof;
FIG. 6 is a front elevation view thereof, the rear elevation being a mirror image thereof; and,
FIG. 7 is a right elevation view thereof.
The broken lines and any portions contained within are not claimed.

1 Claim, 4 Drawing Sheets



US D667,175 S

Page 2

U.S. PATENT DOCUMENTS

D486,274 S * 2/2004 Tsengas D30/130
D491,697 S * 6/2004 Tsengas D30/130
D514,373 S 2/2006 Vendl et al.
7,073,461 B2 7/2006 Gonet
7,296,539 B2 11/2007 Iljas
D561,408 S * 2/2008 Marsh D30/130
D579,724 S 11/2008 McMurphy
D592,814 S 5/2009 Uffner et al.
7,527,017 B1 5/2009 Cribb

D621,560 S 8/2010 McMurphy
2006/0196436 A1 9/2006 Nichols
2011/0114025 A1 5/2011 McMurphy

OTHER PUBLICATIONS

“Spill-less Bowl,” Care-A-Lot Pet Supply website, as early as Oct. 20, 2006, available at <http://www.carealotpets.com/item-detail/?ItemID=1104D>, printed on Jul. 2, 2008, 1 page.

* cited by examiner

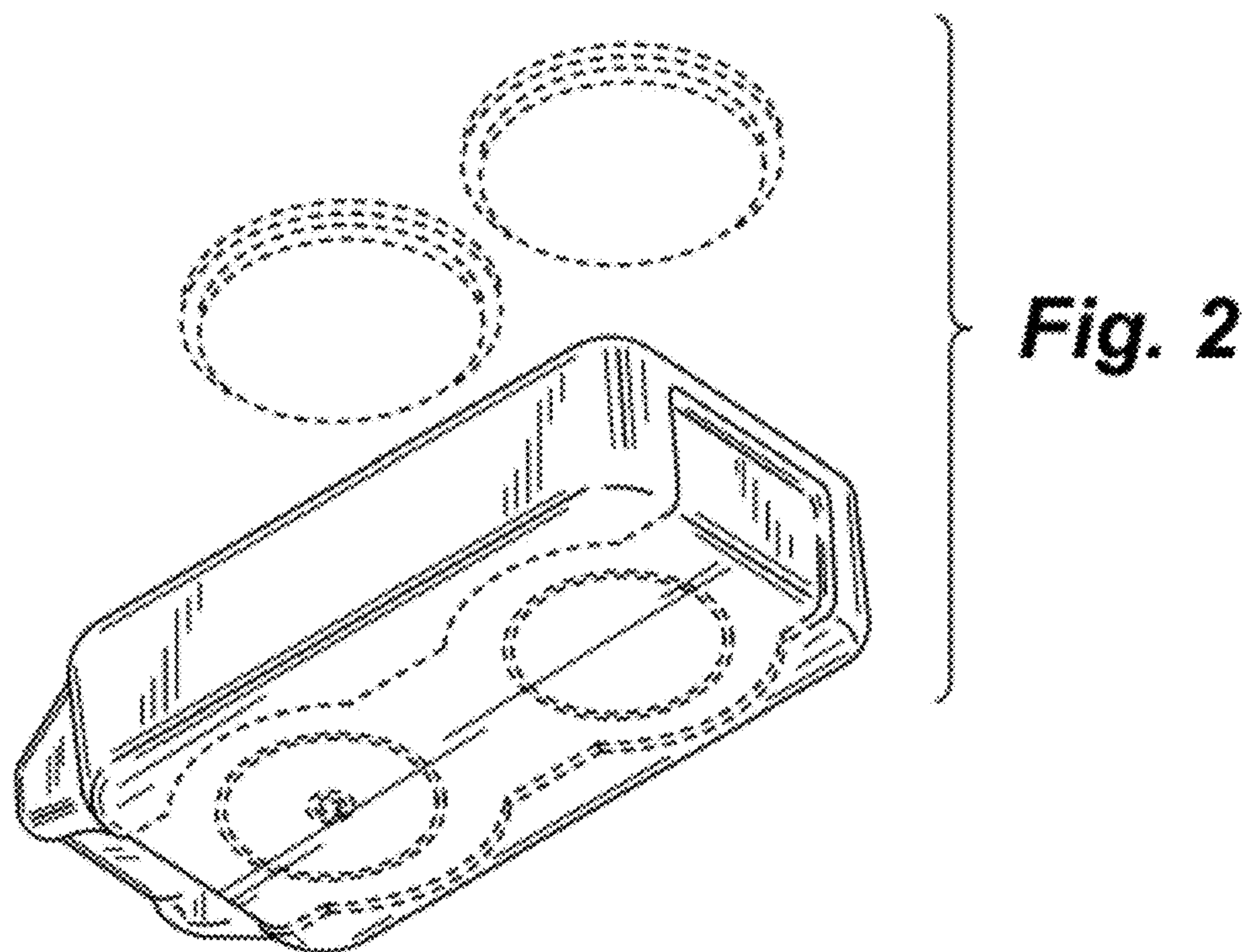
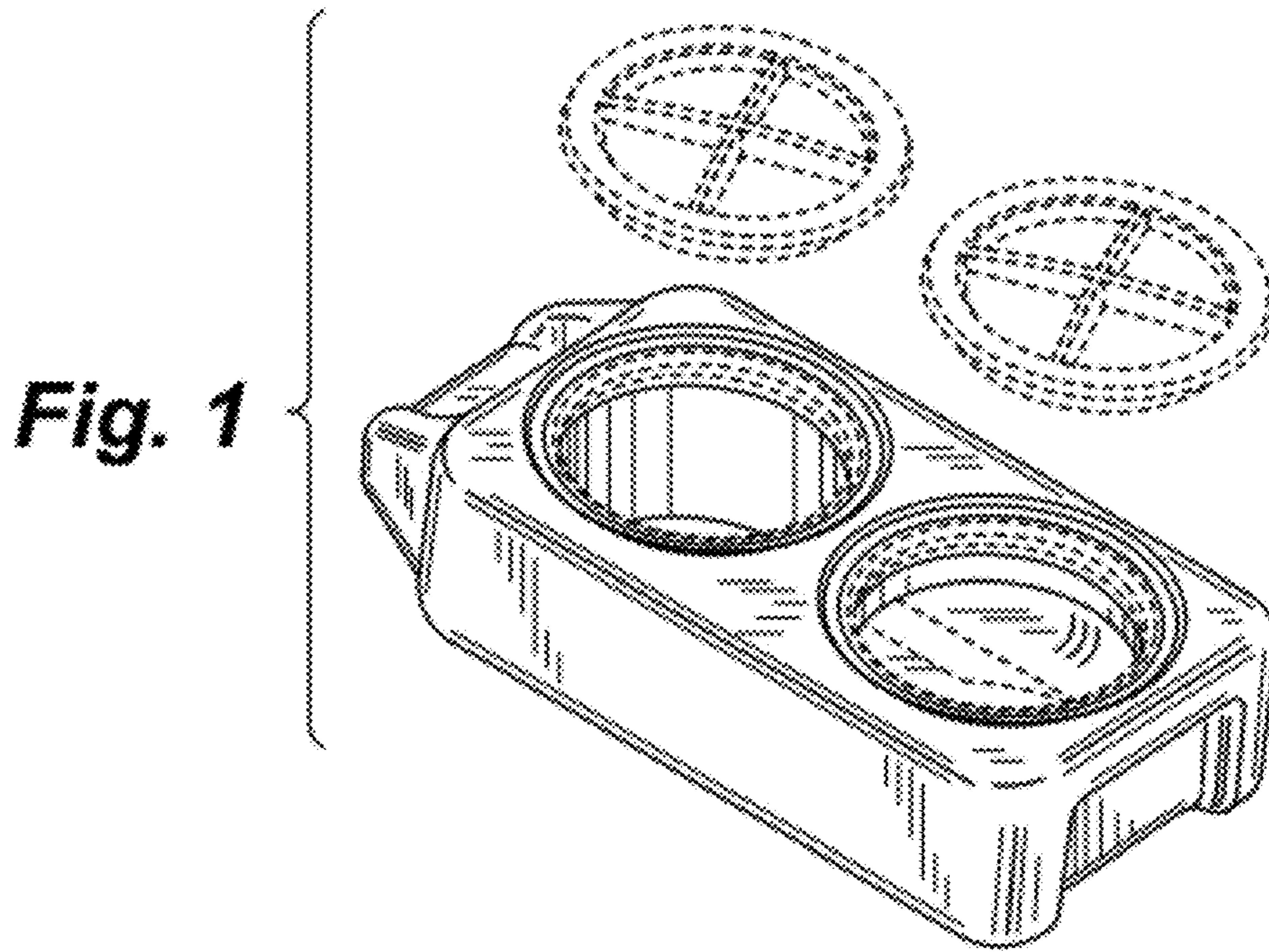


Fig. 3

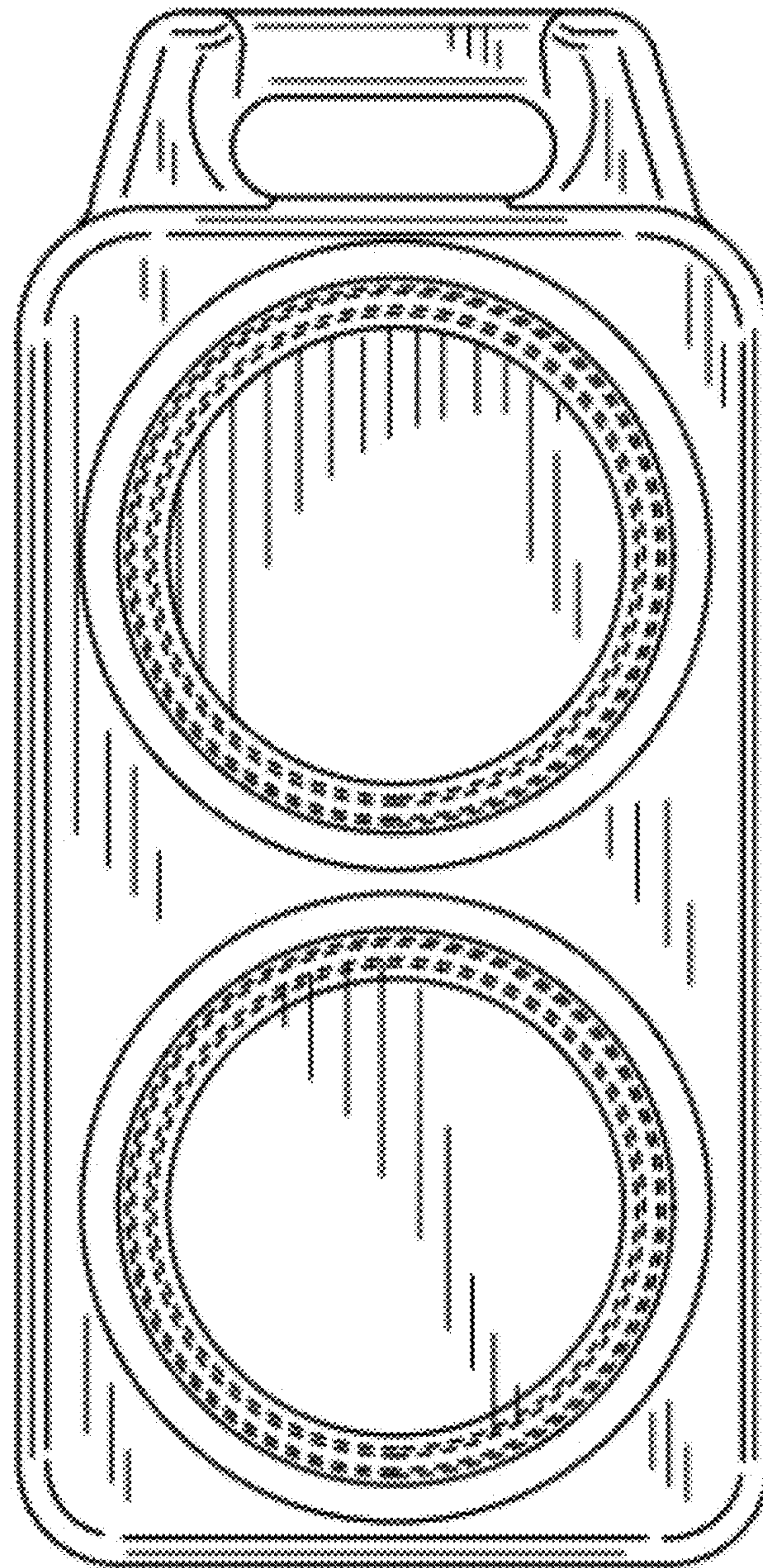


Fig. 4

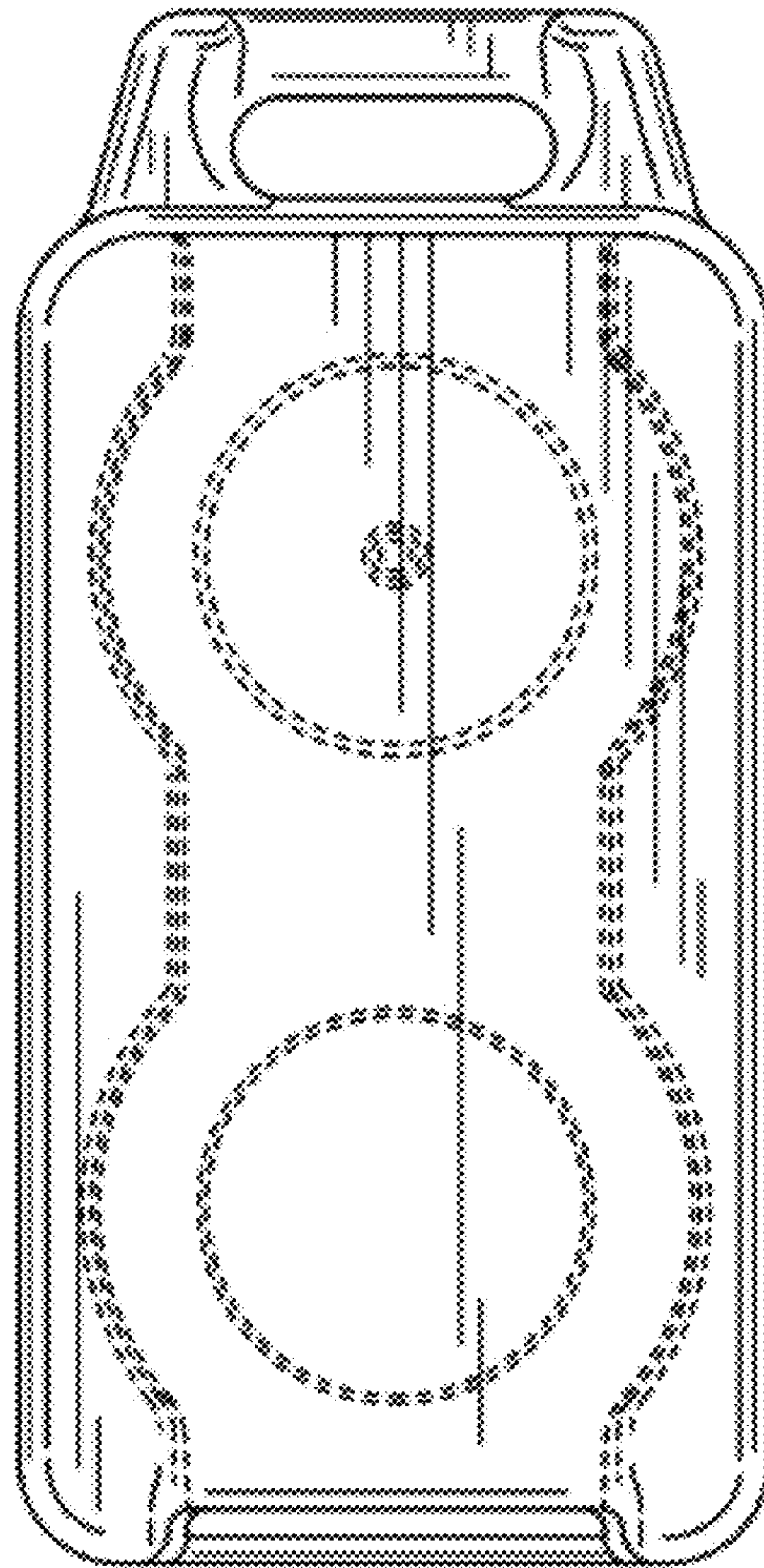


Fig. 5

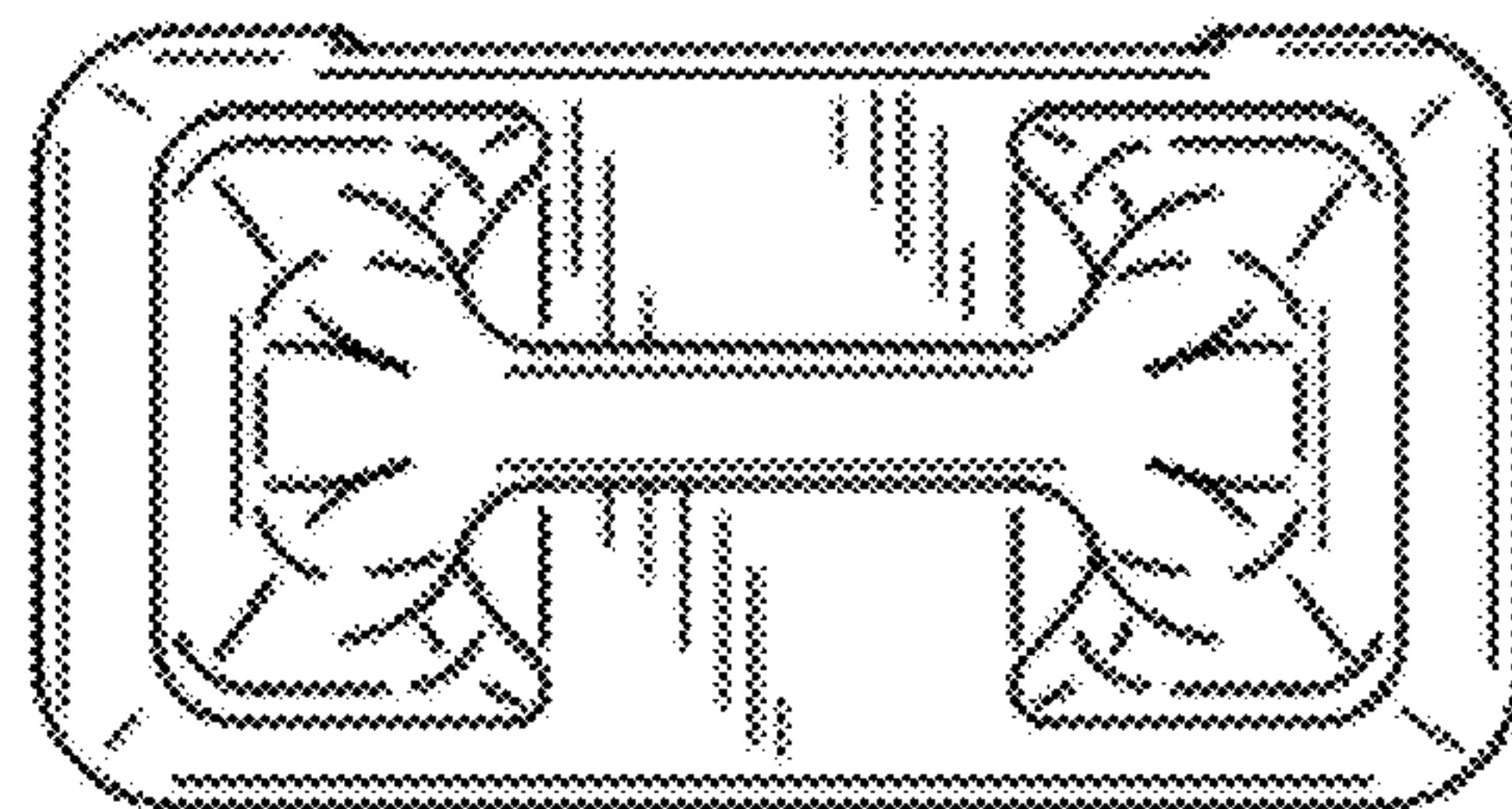


Fig. 6

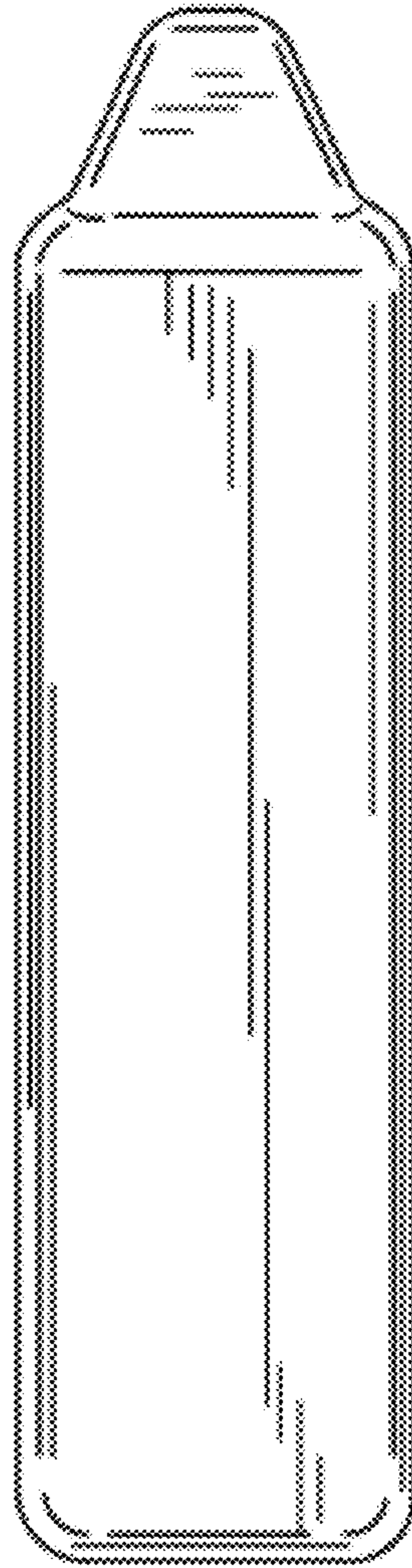


Fig. 7

