

US00D667174S

(12) **United States Design Patent**
Stevenson

(10) **Patent No.:** **US D667,174 S**

(45) **Date of Patent:** **** Sep. 11, 2012**

(54) **AQUARIUM**

(75) Inventor: **Paul Stevenson**, North Walsham (GB)

(73) Assignee: **Reef One Limited**, Norwich, Norfolk (GB)

(**) Term: **14 Years**

(21) Appl. No.: **29/371,909**

(22) Filed: **Jan. 13, 2012**

Related U.S. Application Data

(62) Division of application No. 29/371,032, filed on Sep. 22, 2010, now Pat. No. Des. 655,460.

(30) **Foreign Application Priority Data**

Jun. 17, 2010 (EM) 001720848-0001

Jun. 17, 2010 (EM) 001720848-0002

(51) **LOC (9) Cl.** **30-02**

(52) **U.S. Cl.** **D30/101**

(58) **Field of Classification Search** D30/101-107;
D11/145, 149, 152, 155, 157; D6/556-558;
D19/75; D9/421, 432; 47/65.5, 69; 428/13;
119/245-247, 253-254, 269

See application file for complete search history.

(56) **References Cited**

U.S. PATENT DOCUMENTS

D236,633 S * 9/1975 Shalom D30/101

D253,075 S * 10/1979 Renny D30/101

D361,165 S * 8/1995 Ichikawa D30/101

D361,170 S * 8/1995 Hashimoto D30/101

D361,171 S * 8/1995 Ichikawa D30/101

D366,350 S * 1/1996 Ichikawa D30/101

D366,735 S * 1/1996 Ichikawa D30/101

D397,520 S * 8/1998 Ichikawa D30/101

6,115,046 A * 9/2000 Chen et al. 345/420

OTHER PUBLICATIONS

Square aquarium. Alibaba.com. Copyright 1999-2010, [retrieved on Apr. 11, 2012]. Retrieved from the Internet: <URL: http://www.alibaba.com/product-gs/204025366/square_aquarium/showimage.html>.*

Empty Aquariums Tank / Aquariums. [Retrieved on Apr. 11, 2012. Retrieved from the Internet: <URL: <http://theaquariumtank.info/setting-up-a-fish-tank-aquarium/empty-aquariums-tank>>.*

* cited by examiner

Primary Examiner — Wan Laymon

(74) *Attorney, Agent, or Firm* — Nixon & Vanderhye P.C.

(57) **CLAIM**

The ornamental design for an aquarium, as shown and described.

DESCRIPTION

FIG. 1 is a perspective view of an aquarium

FIG. 2 is a top plan view thereof;

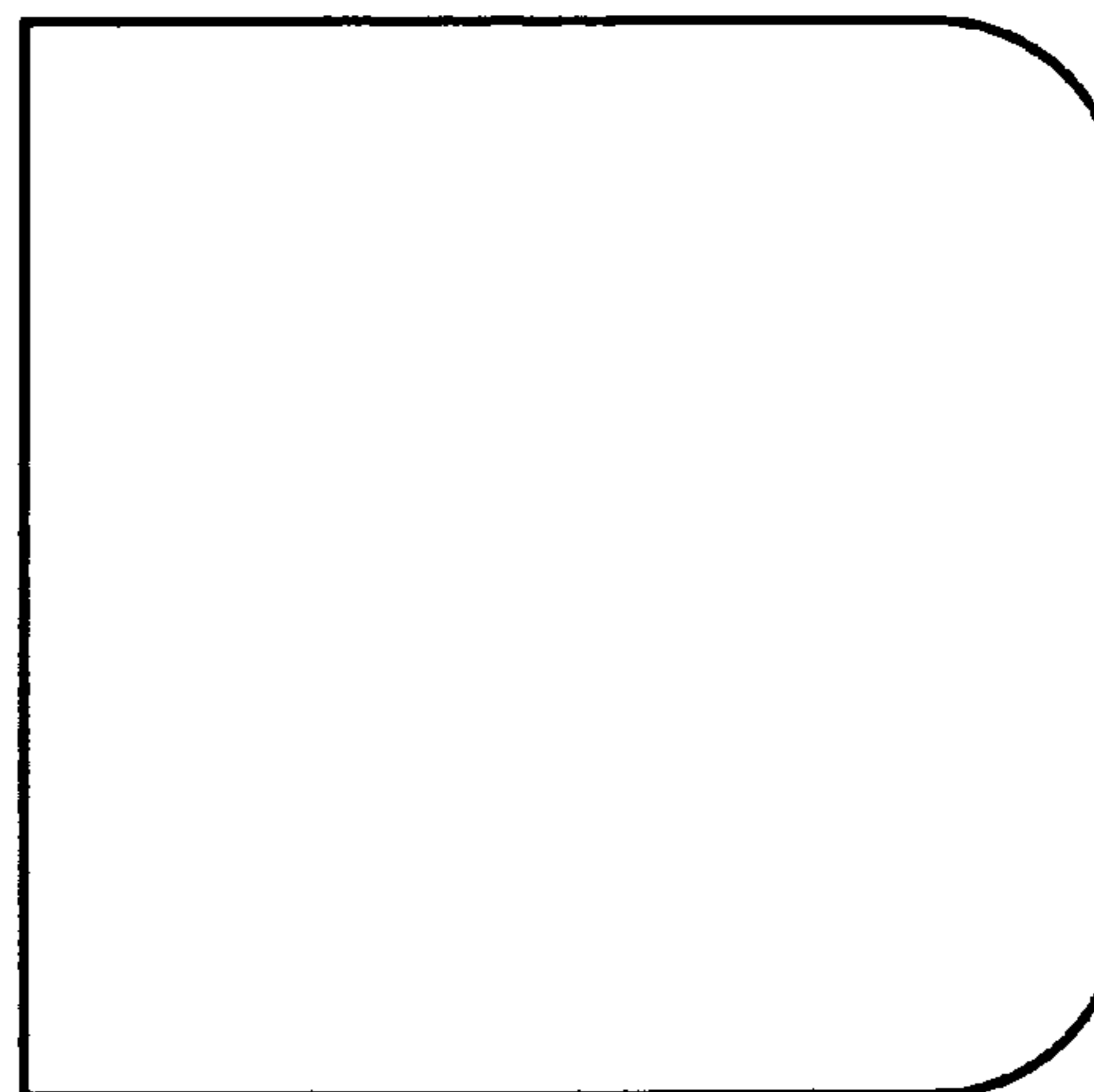
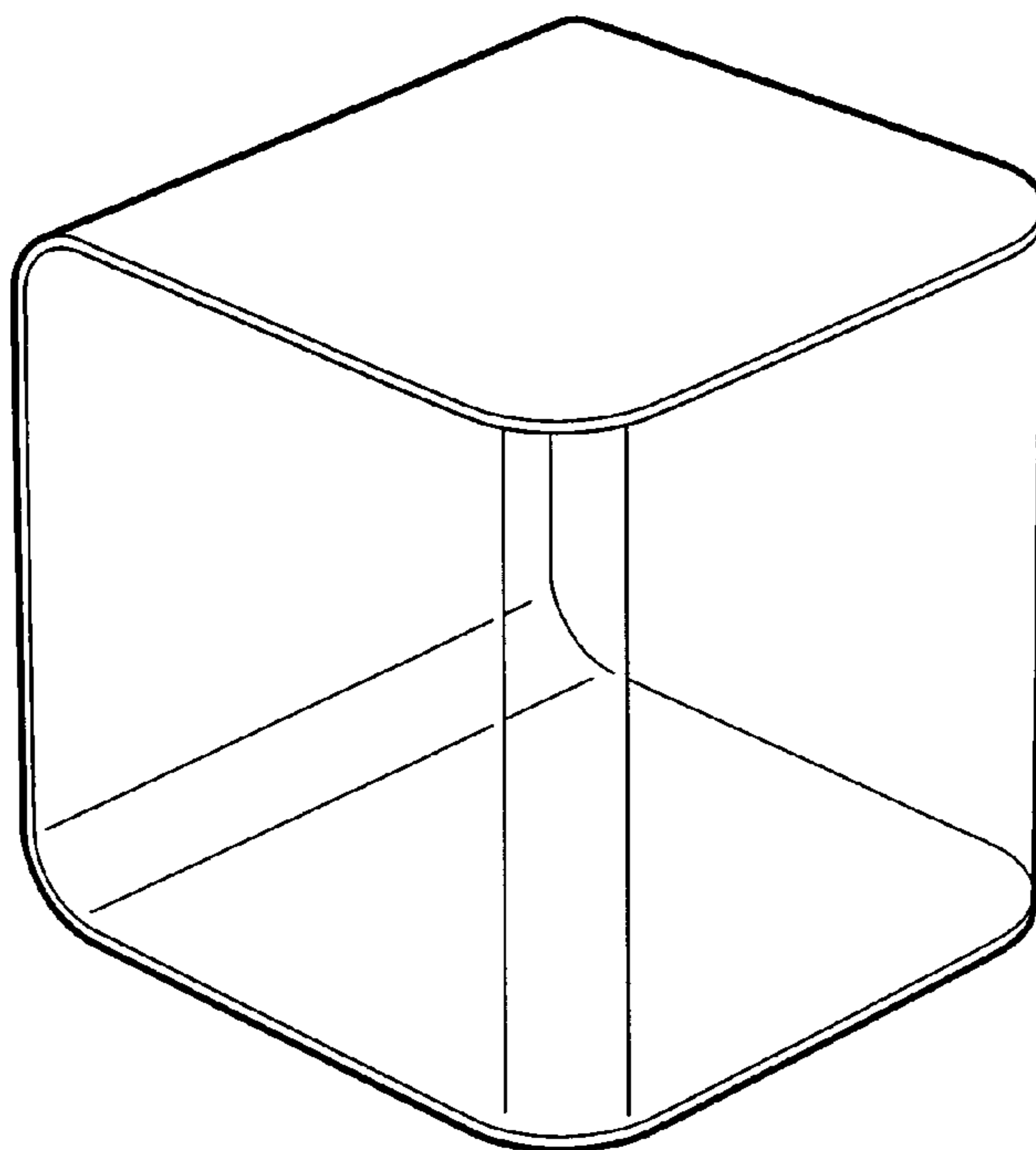
FIG. 3 is a left elevational view thereof;

FIG. 4 is a front elevational view thereof;

FIG. 5 is a right elevational view thereof; and,

FIG. 6 is a bottom plan view thereof.

1 Claim, 2 Drawing Sheets



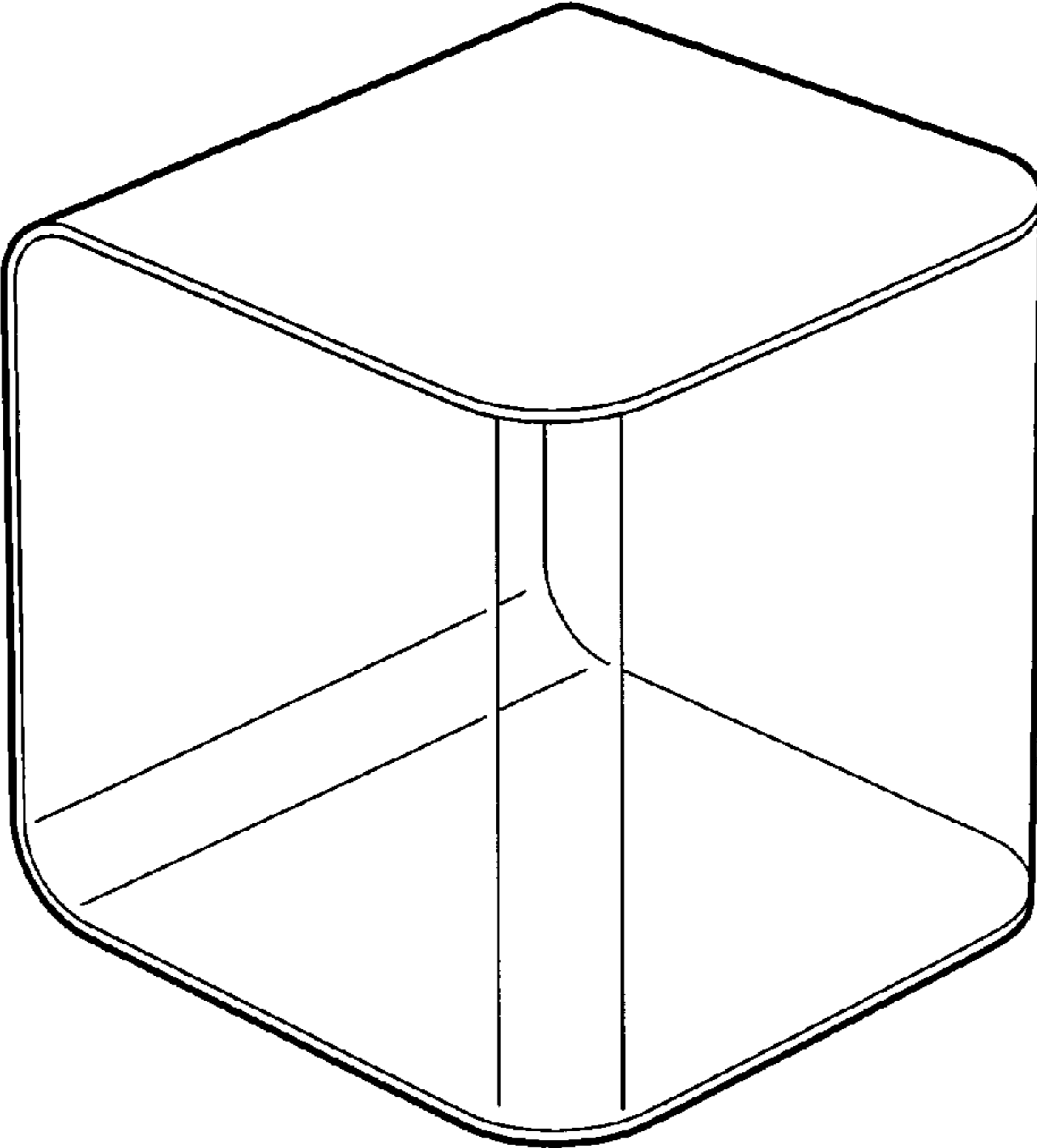


FIG. 1

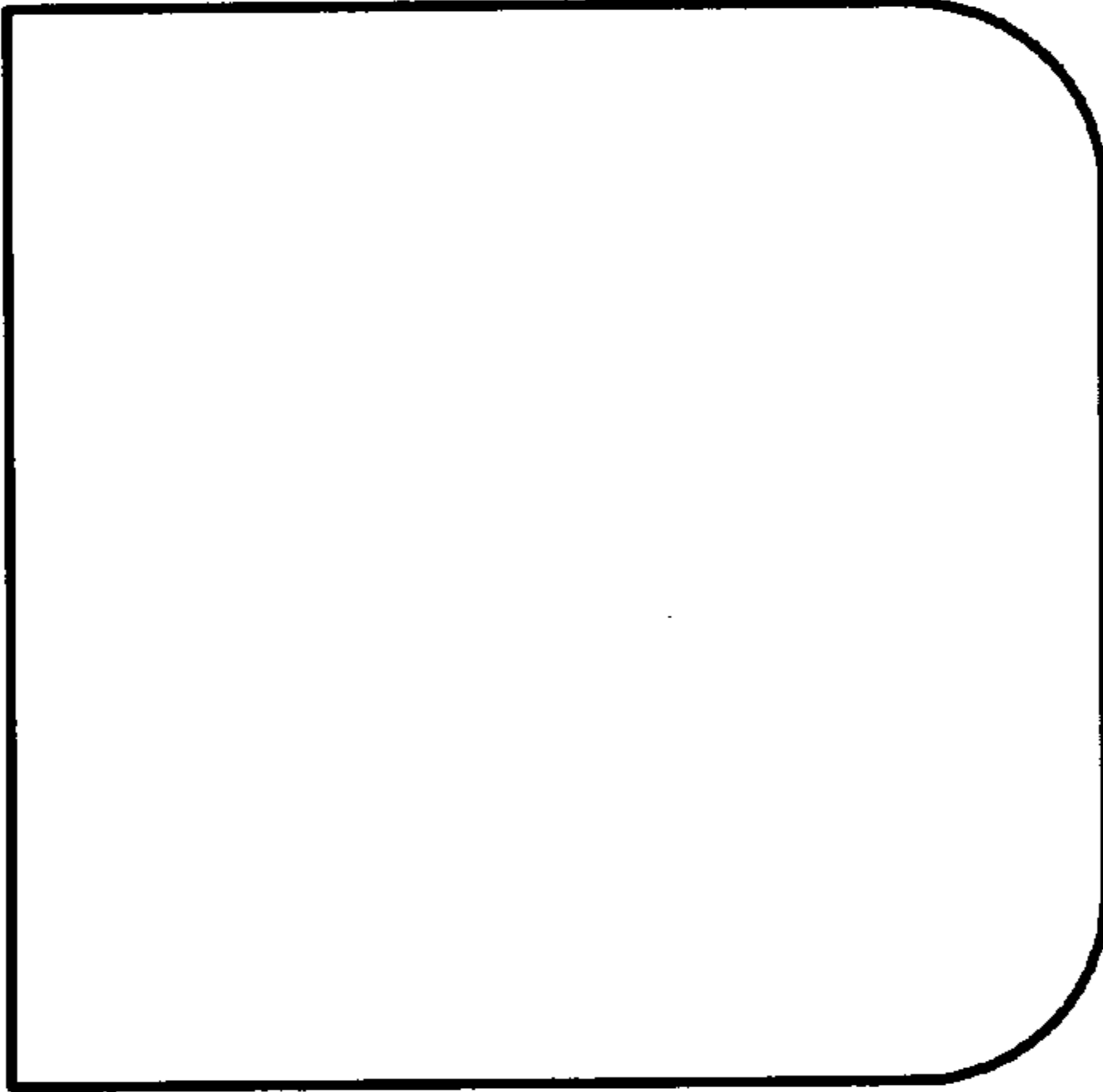


FIG. 2

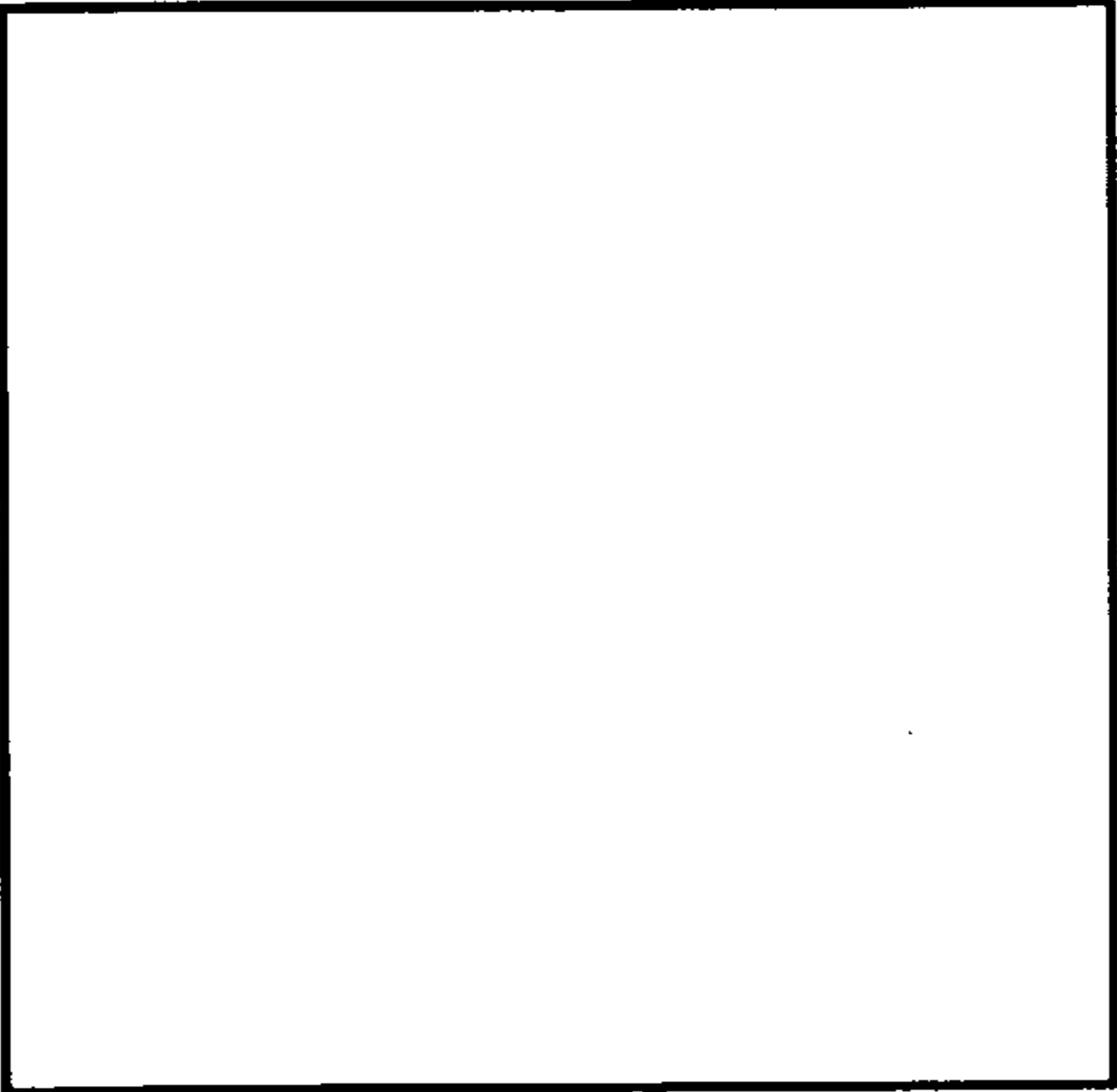


FIG. 3

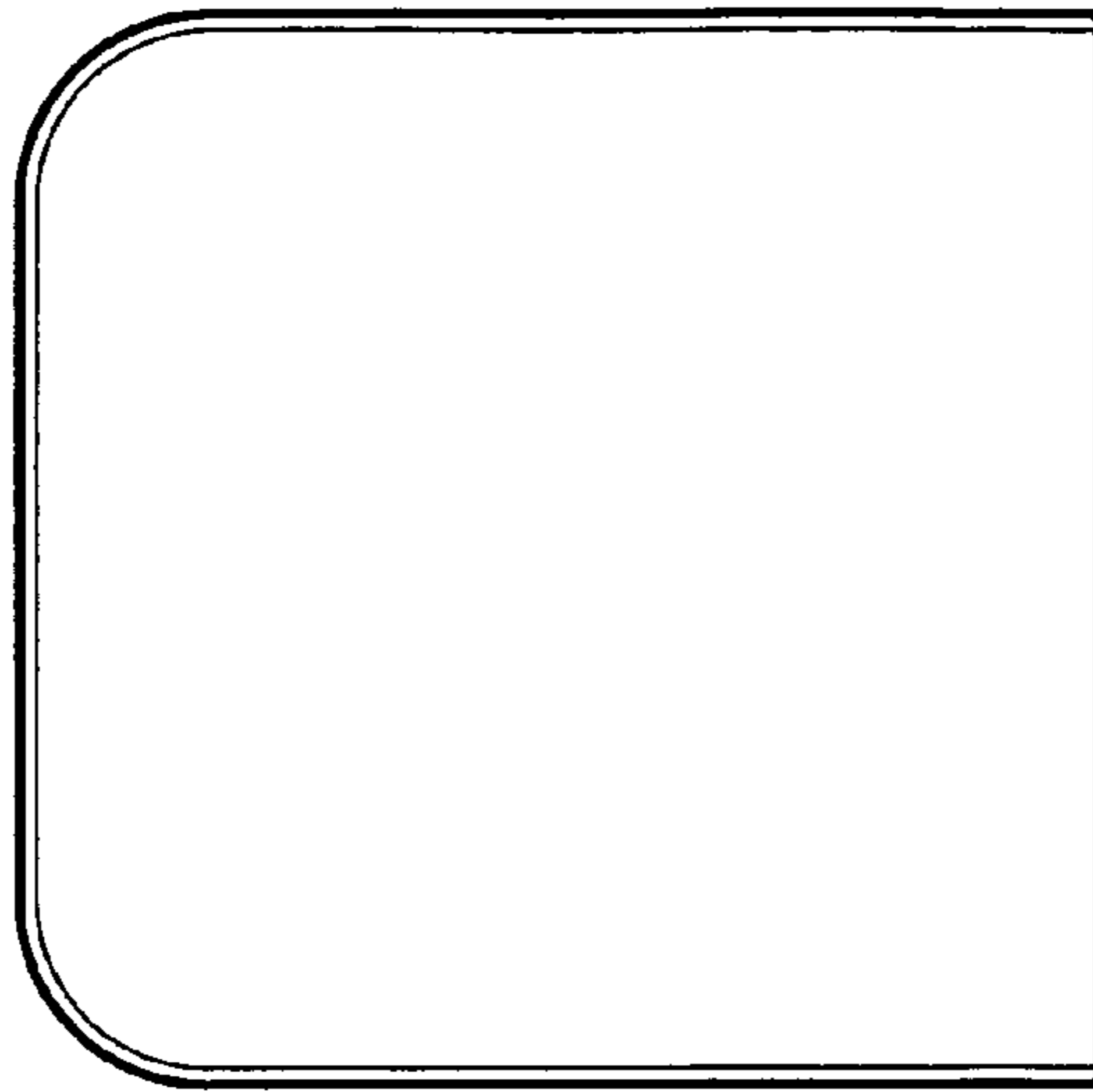


FIG. 4

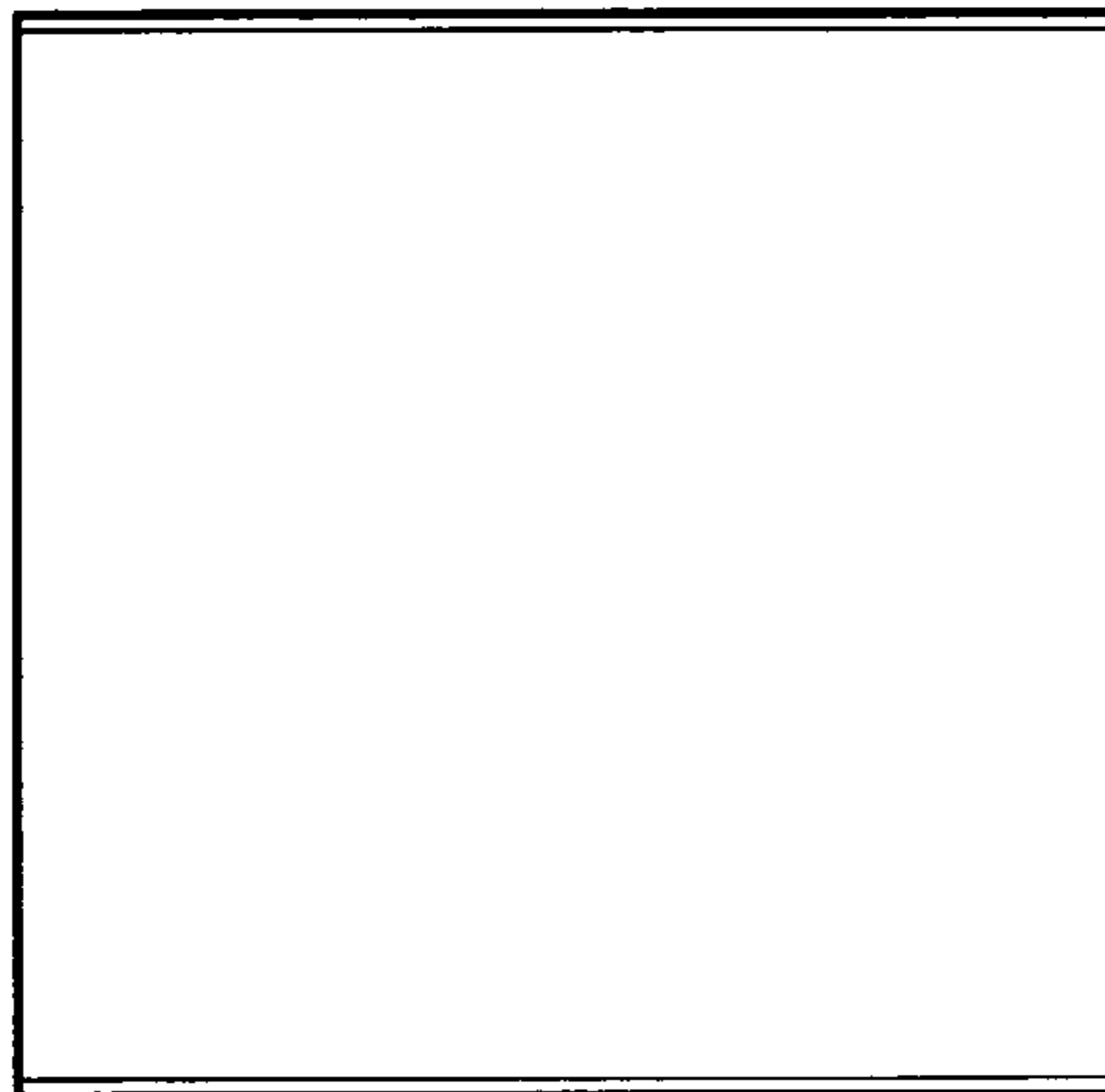


FIG. 5

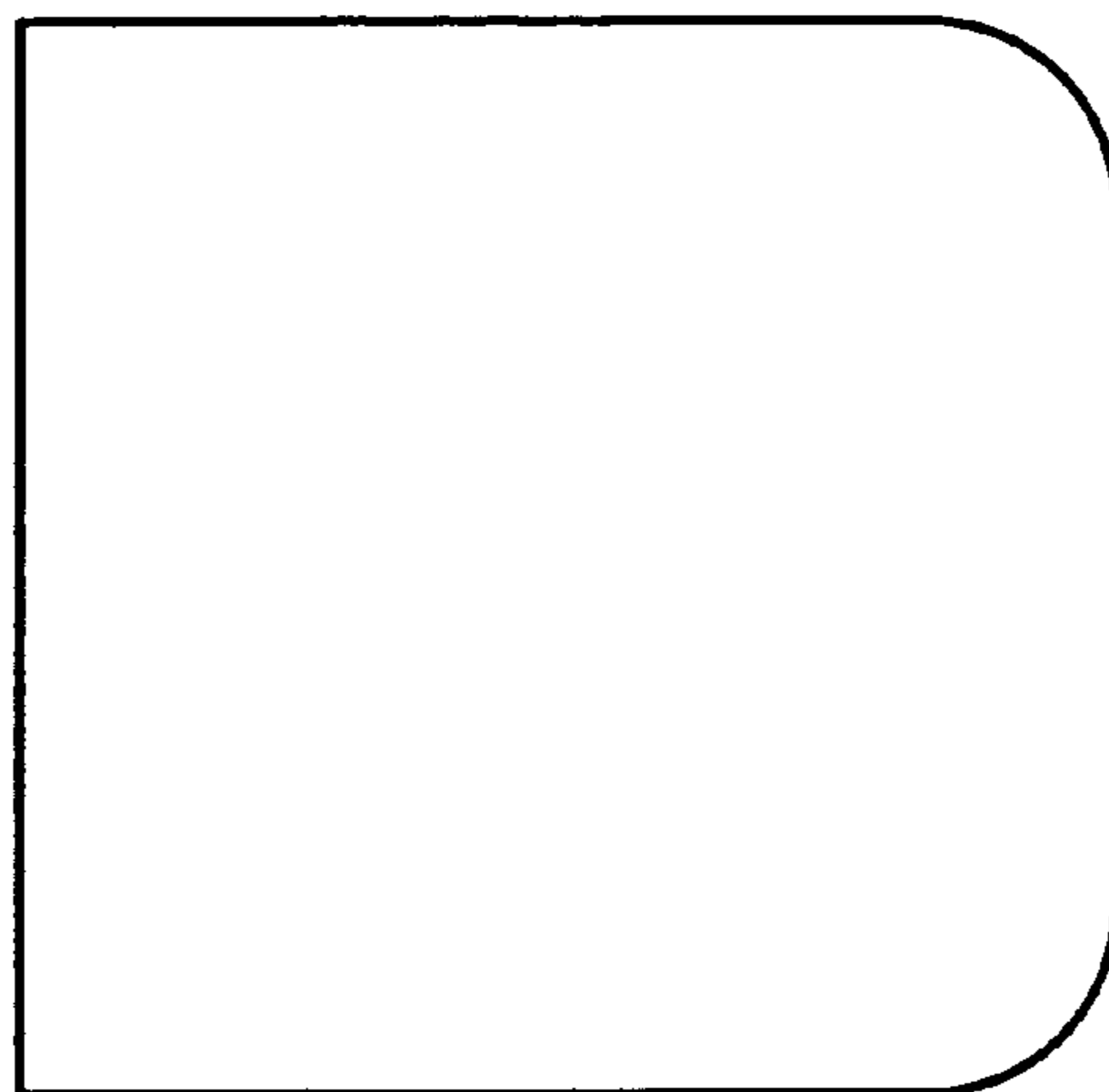


FIG. 6