



US00D667168S

(12) **United States Design Patent**
Greene

(10) **Patent No.:** **US D667,168 S**

(45) **Date of Patent:** **** Sep. 11, 2012**

(54) **FINGER RETAINED RAZOR**

(75) **Inventor:** **Todd Greene**, Culver City, CA (US)

(73) **Assignee:** **Headblade, Inc.**, Culver City, CA (US)

(**) **Term:** **14 Years**

(21) **Appl. No.:** **29/401,826**

(22) **Filed:** **Sep. 15, 2011**

(51) **LOC (9) Cl.** **28-03**

(52) **U.S. Cl.** **D28/48**

(58) **Field of Classification Search** D28/44-48;
30/32, 34.05, 34.1-34.2, 42-61, 77-84, 526-538,
30/346.5-346.61

See application file for complete search history.

(56) **References Cited**

U.S. PATENT DOCUMENTS

6,029,356	A *	2/2000	Sprinkle	30/298
D426,918	S *	6/2000	Greene	D28/48
D431,095	S *	9/2000	Hyman	D28/45
D446,351	S *	8/2001	Greene	D28/46

D500,889	S *	1/2005	Greene	D28/46
D612,540	S *	3/2010	Joslin	D28/48
2003/0084573	A1 *	5/2003	Kludjian et al.	30/50

* cited by examiner

Primary Examiner — Jennifer Rivard

(74) *Attorney, Agent, or Firm* — Venable LLP; Stefan J. Kirchanski

(57) **CLAIM**

The ornamental design for a finger retained razor, as shown and described herein.

DESCRIPTION

FIG. 1 is a top perspective view of a finger retained razor showing my design;

FIG. 2 is a left side view thereof;

FIG. 3 is a right side view thereof;

FIG. 4 is a top view thereof;

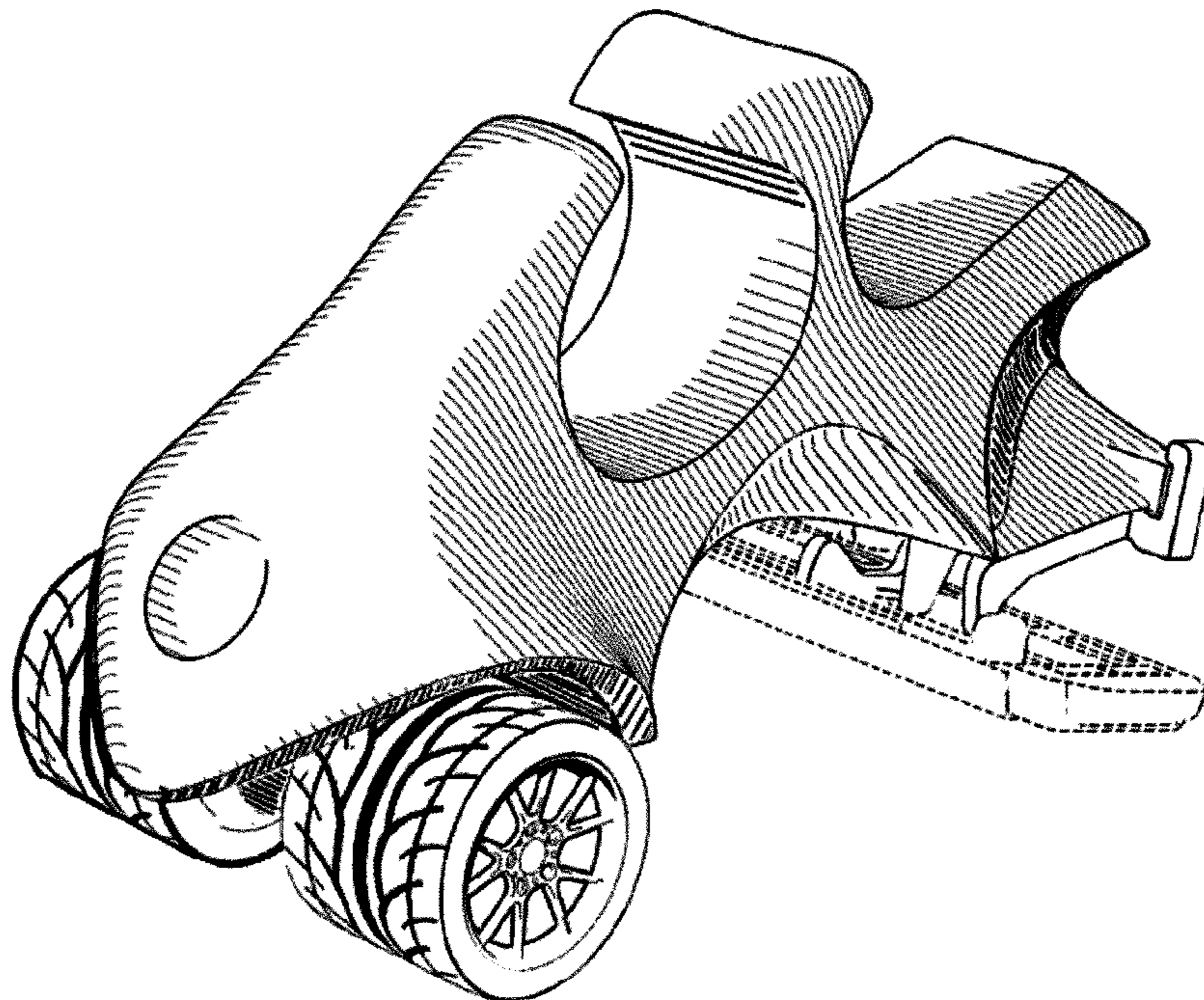
FIG. 5 is a bottom view thereof;

FIG. 6 is a front view thereof; and,

FIG. 7 is a rear view thereof.

The broken lines shown in the drawings illustrate portions of the article and form no part of the claimed design.

1 Claim, 7 Drawing Sheets



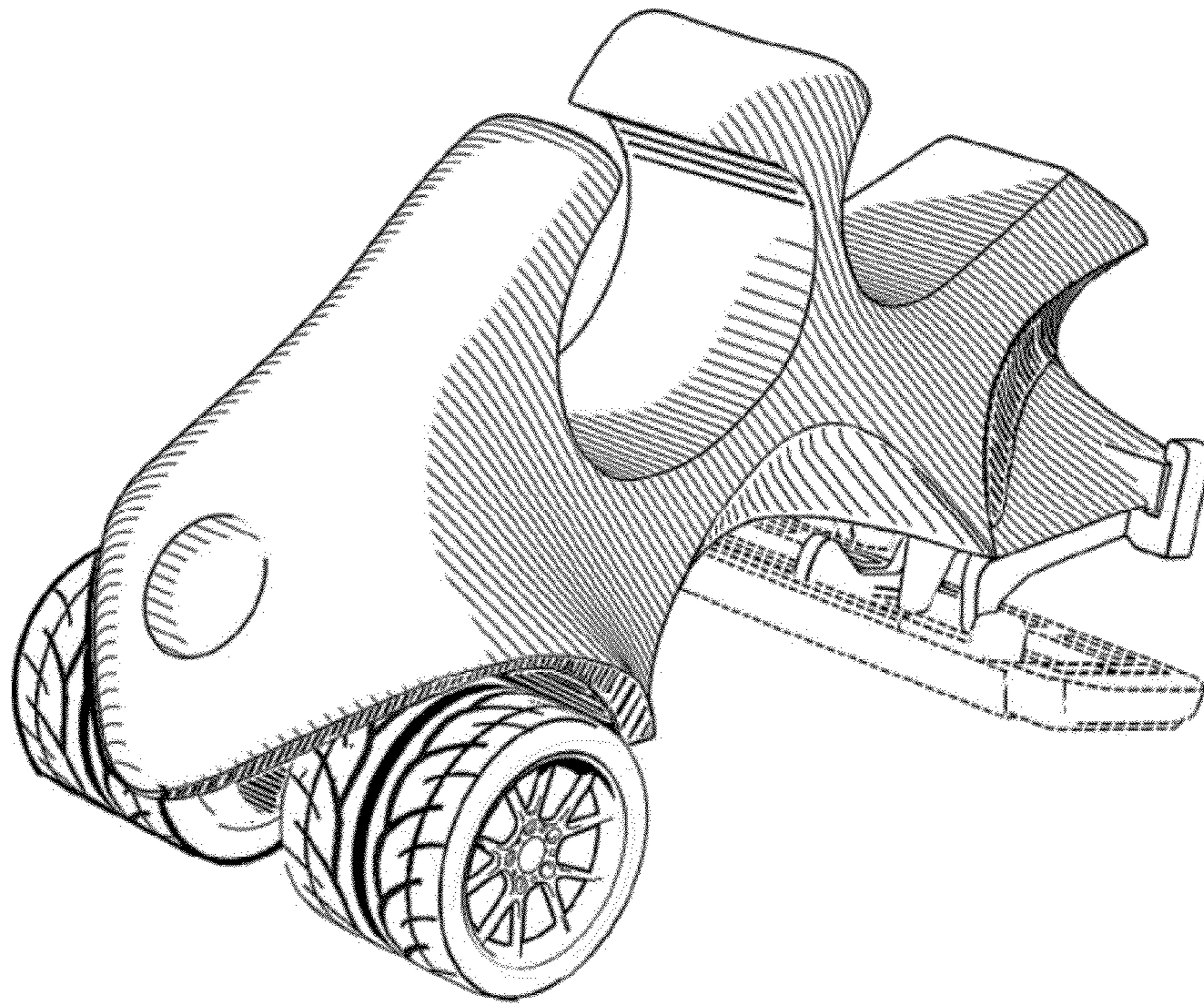


Fig. 1

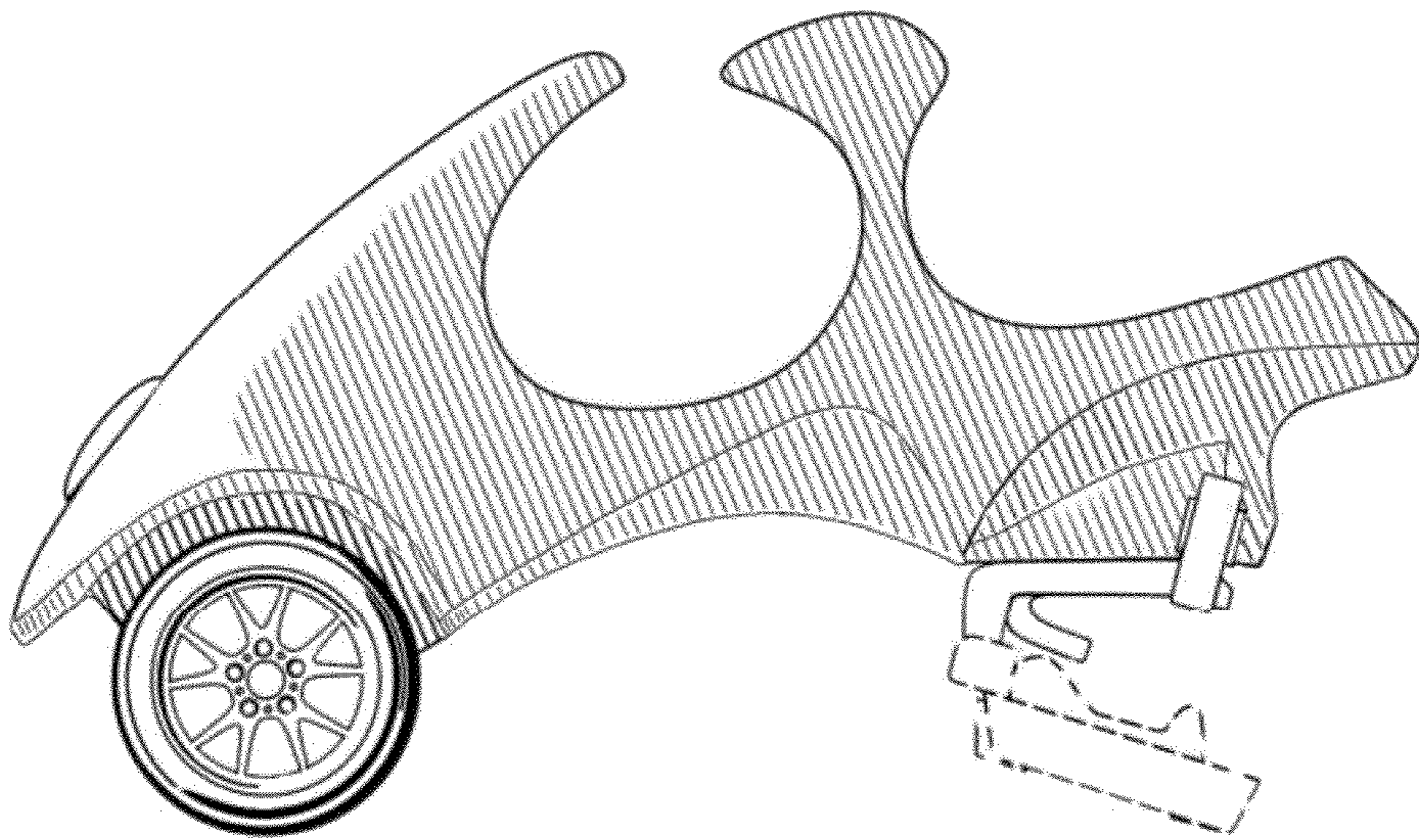


Fig. 2

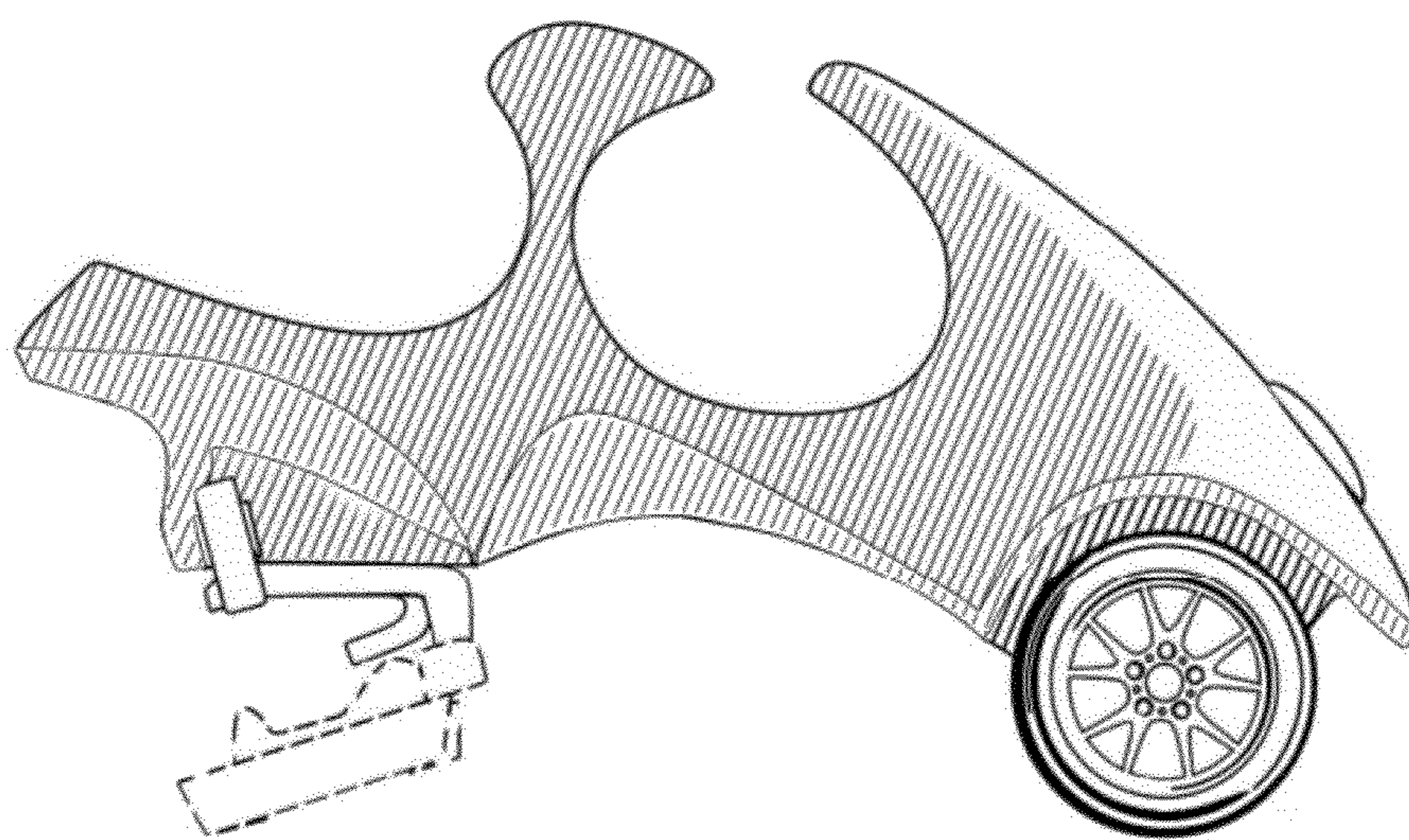


Fig. 3

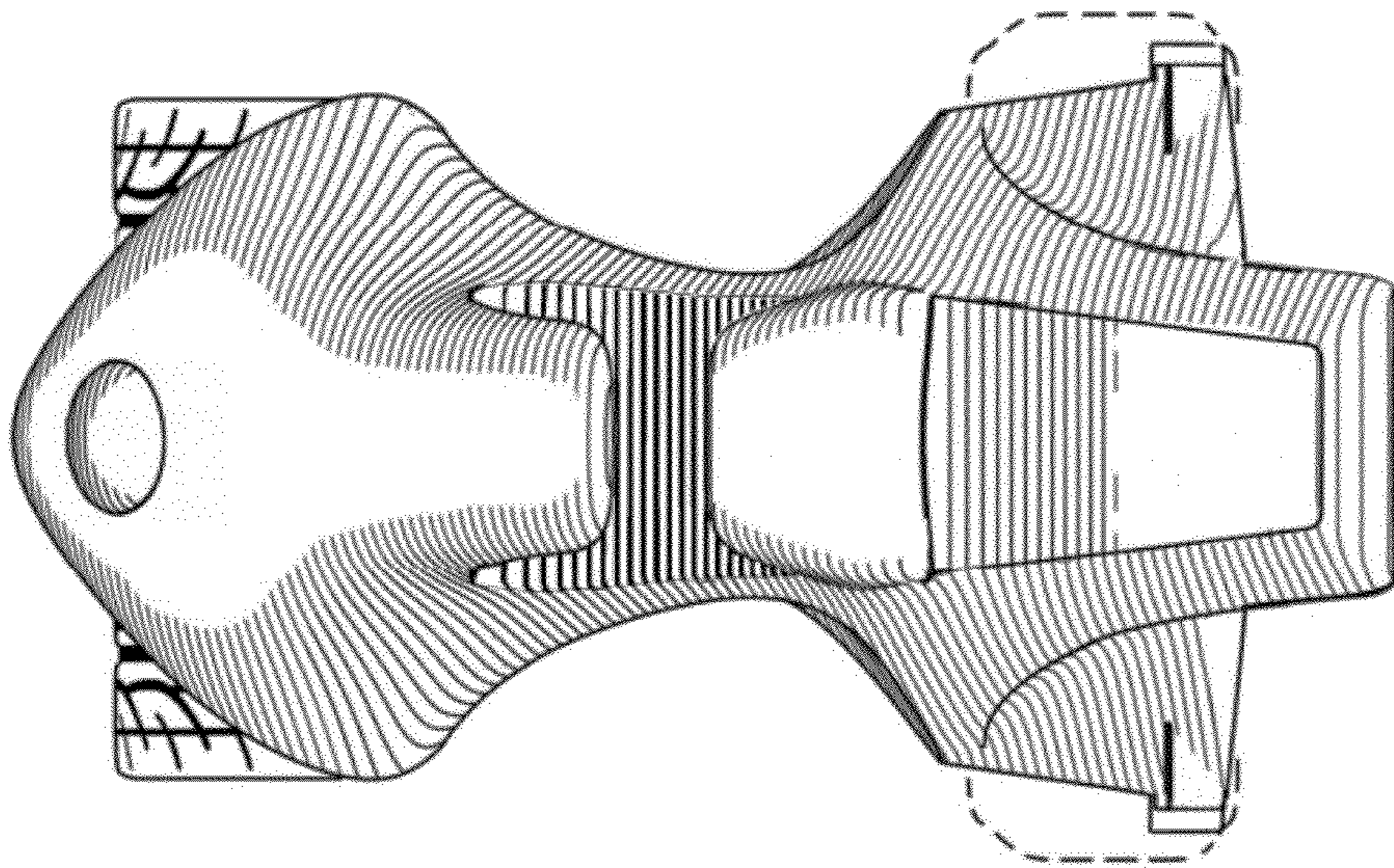


Fig. 4

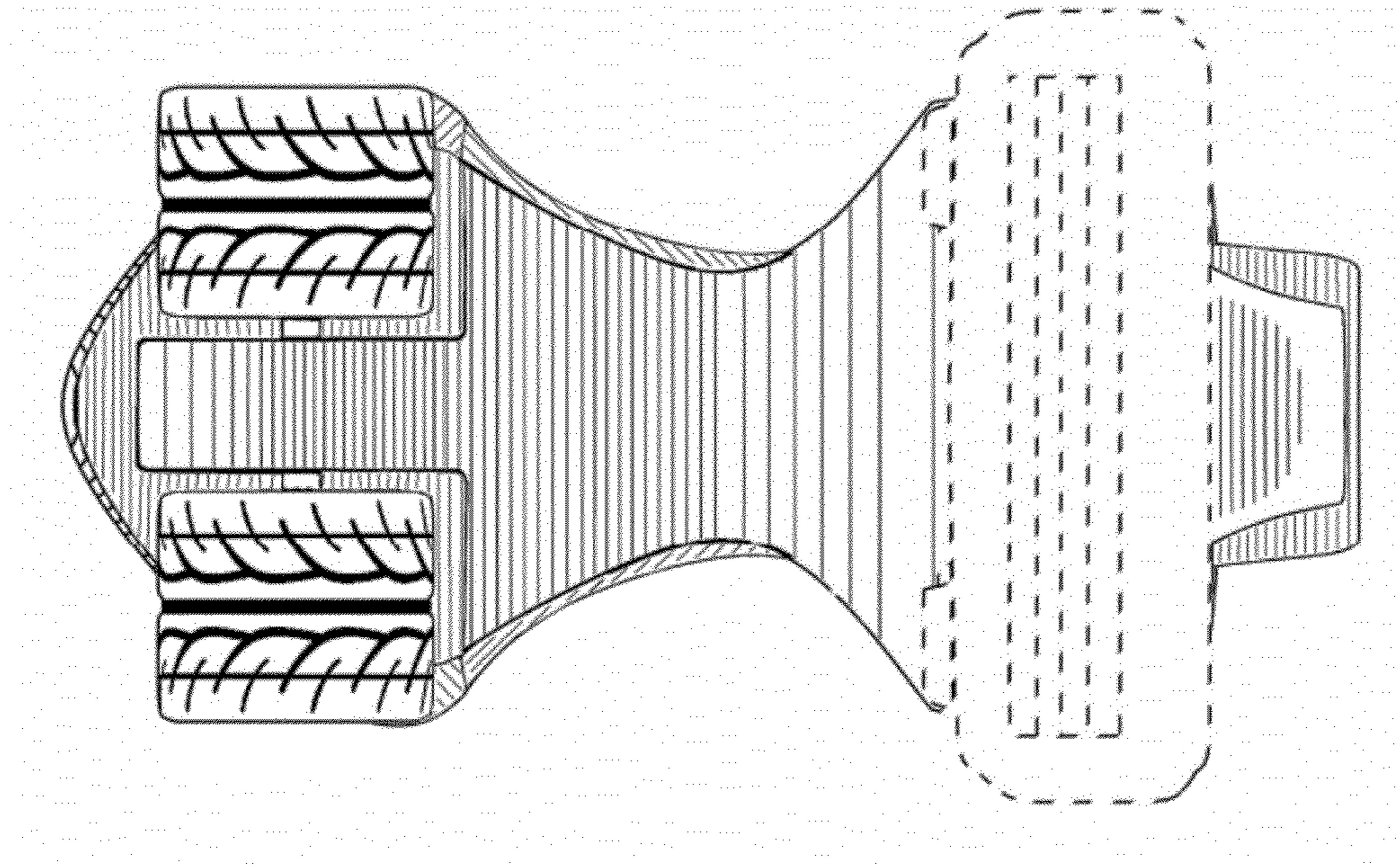


Fig. 5

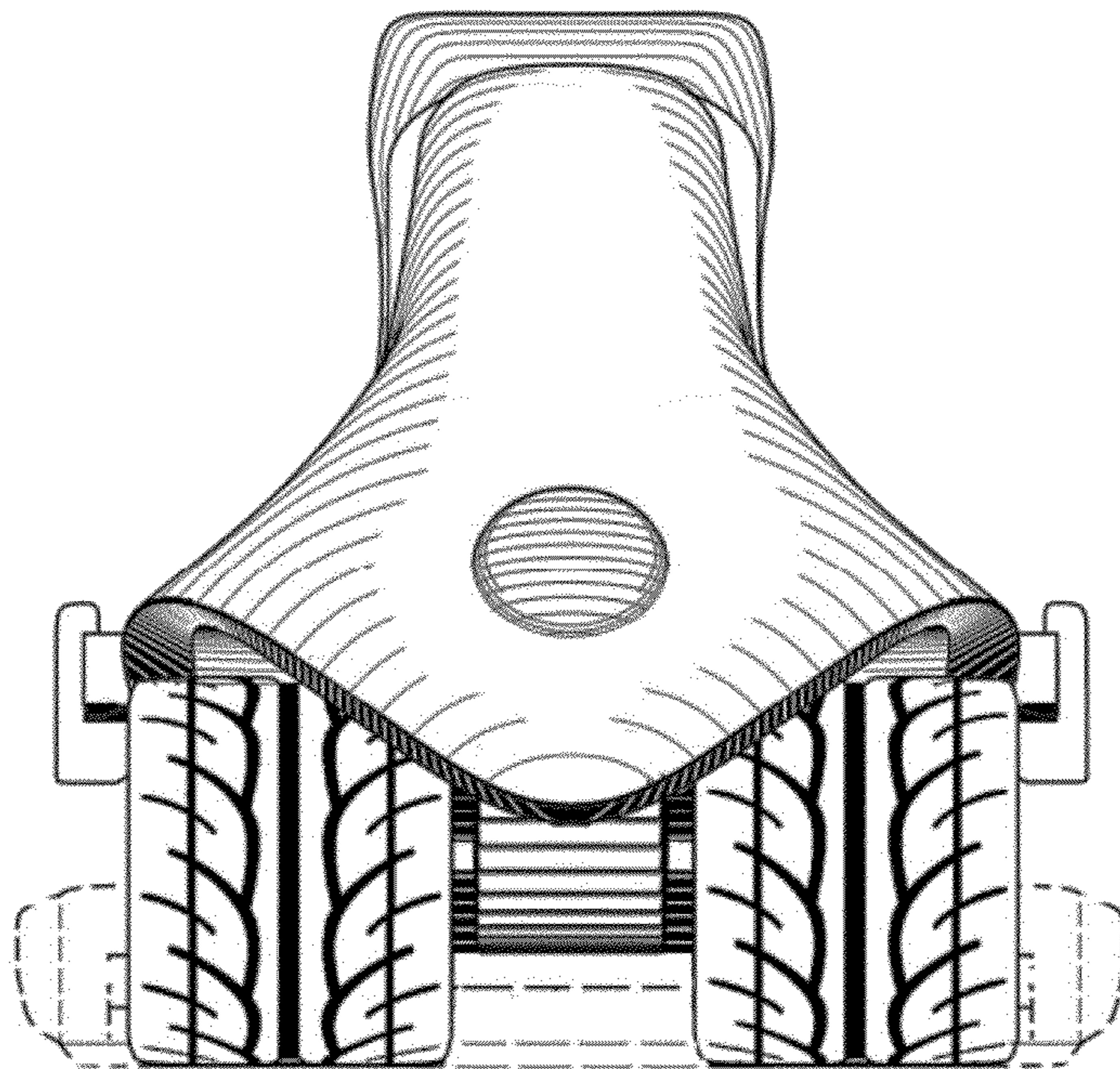


Fig. 6

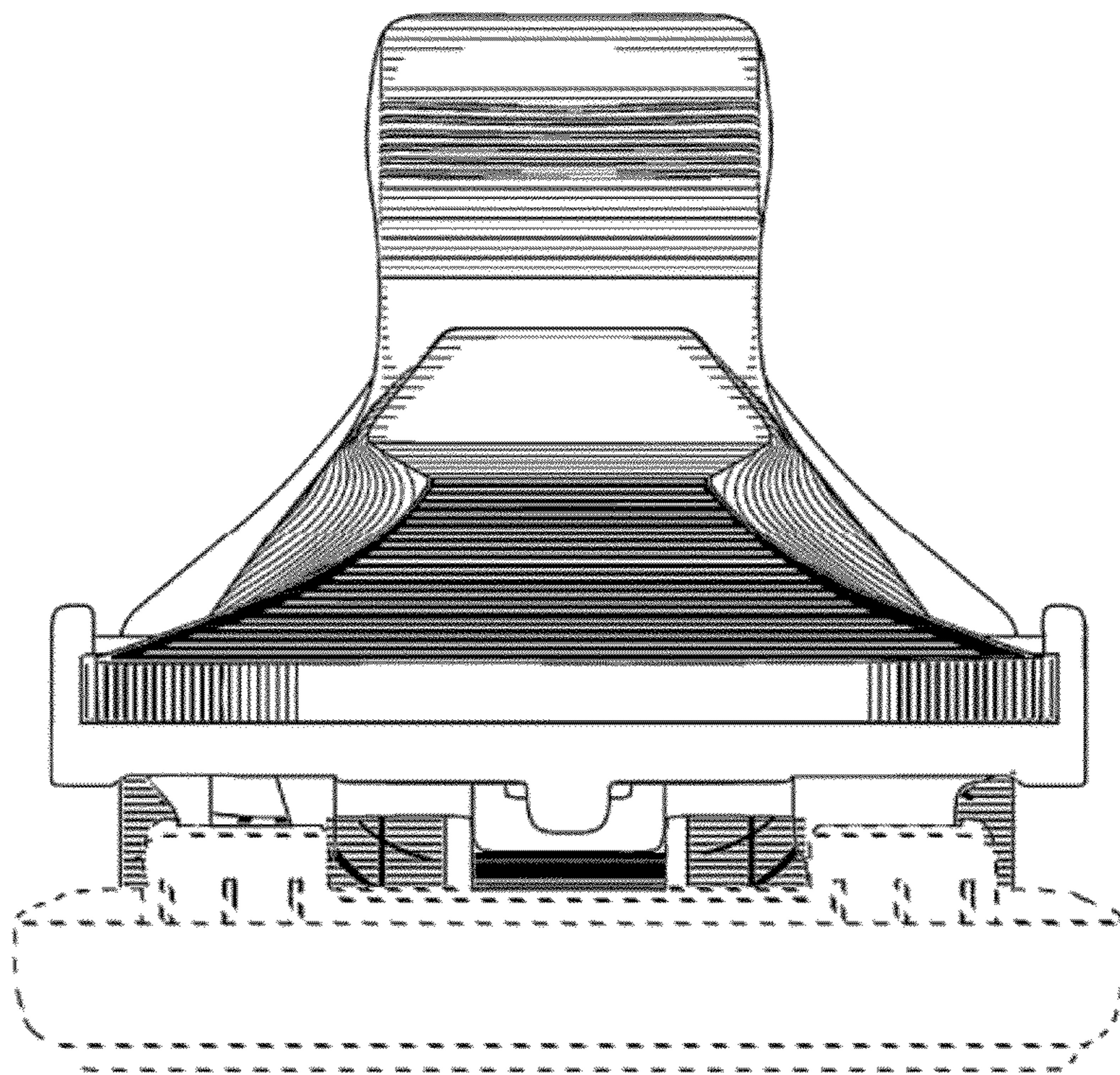


Fig. 7