

US00D667162S

(12) **United States Design Patent**
Choi et al.

(10) **Patent No.:** **US D667,162 S**

(45) **Date of Patent:** **** Sep. 11, 2012**

(54) **CEILING LAMP**

(75) Inventors: **Jaeseung Choi**, Seoul (KR); **Taihong Kim**, Gyeonggi-do (KR)

(73) Assignee: **LG Electronics Inc.**, Seoul (KR)

(**) Term: **14 Years**

(21) Appl. No.: **29/409,839**

(22) Filed: **Dec. 29, 2011**

(30) **Foreign Application Priority Data**

Jul. 8, 2011 (KR) 30-2011-0028541

(51) **LOC (9) Cl.** **26-03**

(52) **U.S. Cl.** **D26/89**

(58) **Field of Classification Search** D26/59,
D26/71, 74, 76, 85, 87, 89, 90; D23/377,
D23/379, 411; 362/147, 148, 365, 453-456,
362/479, 483, 488, 490

See application file for complete search history.

(56) **References Cited**

U.S. PATENT DOCUMENTS

4,514,792 A * 4/1985 Klaus 362/294
D282,972 S * 3/1986 Castor et al. D26/59

D288,007 S * 1/1987 Jonas et al. D26/51
D309,956 S * 8/1990 Sikora et al. D26/123
D490,182 S * 5/2004 Benensohn D26/89
D496,487 S * 9/2004 Rhee D26/89
D498,871 S * 11/2004 Benensohn D26/89
D501,573 S * 2/2005 Benensohn D26/89
D509,617 S * 9/2005 Benghozi D26/89
D514,732 S * 2/2006 Benensohn D26/89
D641,098 S * 7/2011 Wildner D26/89
D655,849 S * 3/2012 Sabernig D26/85
D655,850 S * 3/2012 Sabernig D26/85

* cited by examiner

Primary Examiner — Clare E Heflin

(74) *Attorney, Agent, or Firm* — Morgan, Lewis, Bockius LLP

(57) **CLAIM**

The ornamental design for a ceiling lamp, as shown and described.

DESCRIPTION

FIG. 1 is a front, right side, perspective view of a ceiling lamp showing our new design;
FIG. 2 is a front view thereof;
FIG. 3 is a rear view thereof;
FIG. 4 is a left side view thereof;
FIG. 5 is a right side view thereof;
FIG. 6 is a top view thereof; and,
FIG. 7 is a bottom view thereof.

1 Claim, 4 Drawing Sheets

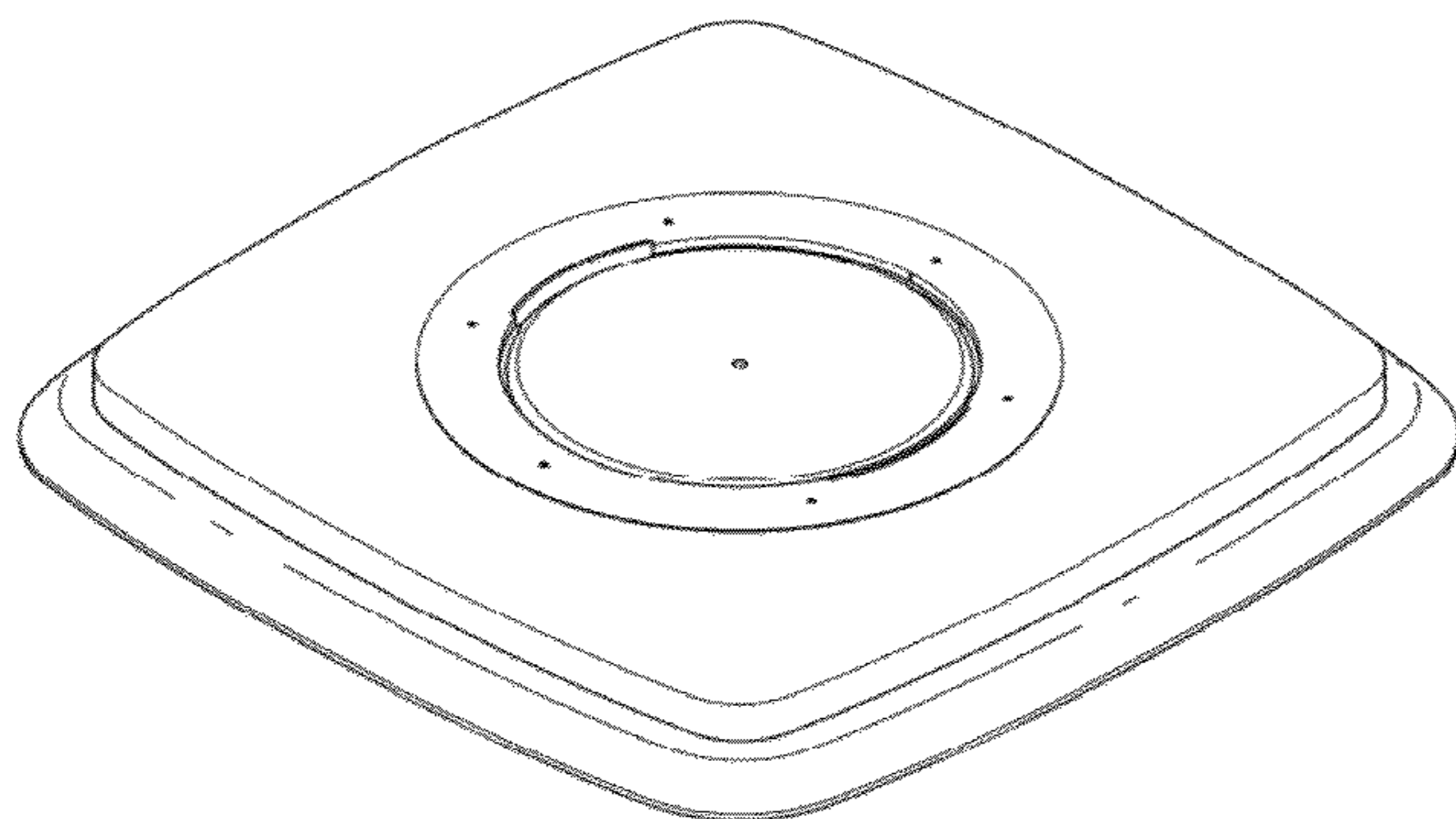


FIG. 1

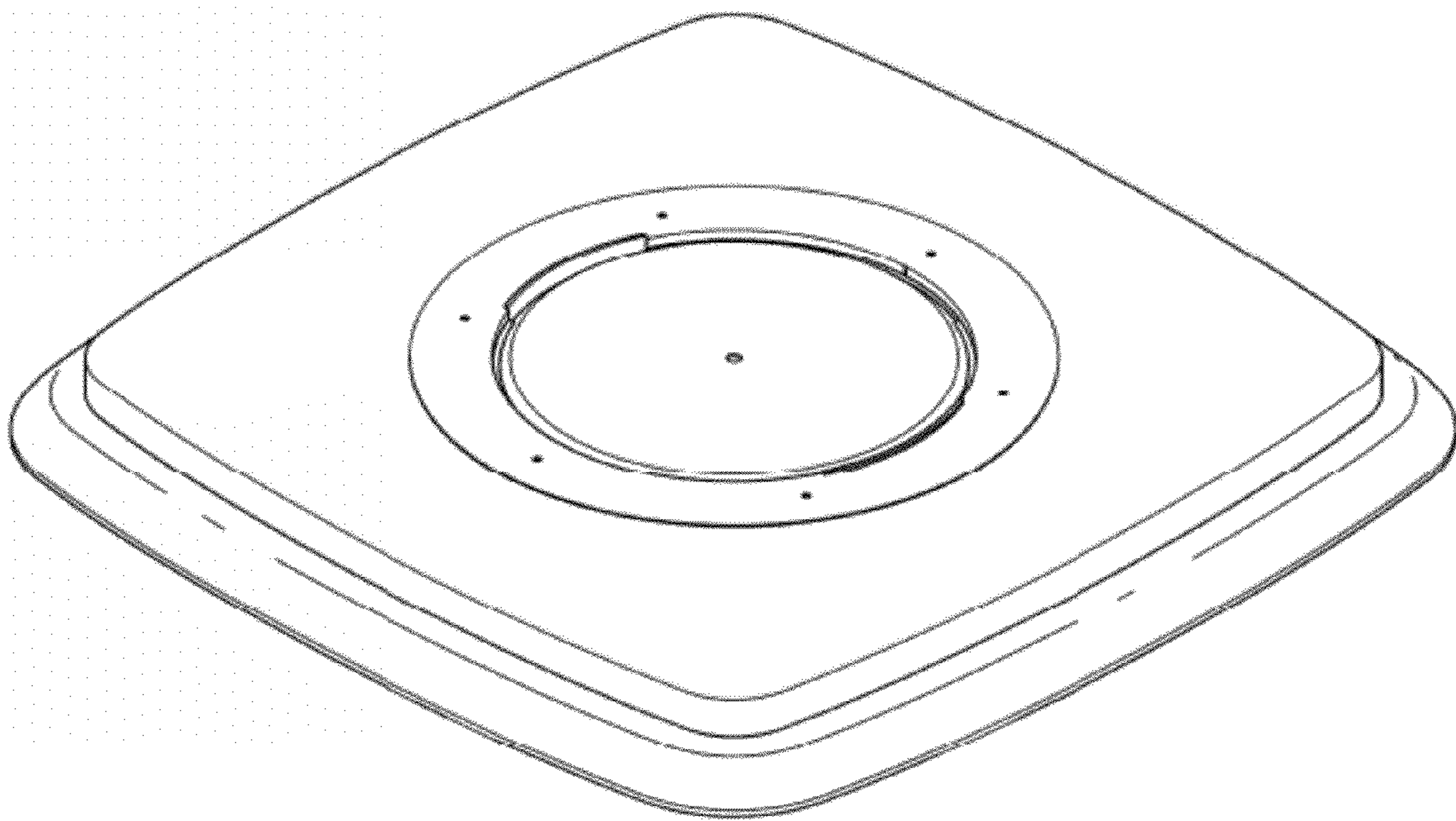


FIG. 2

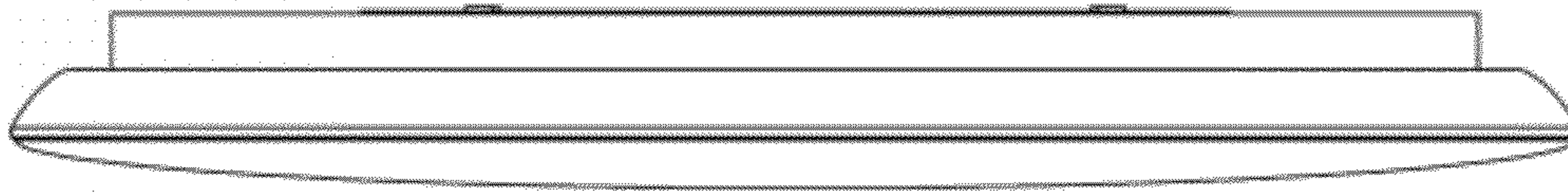


FIG. 3

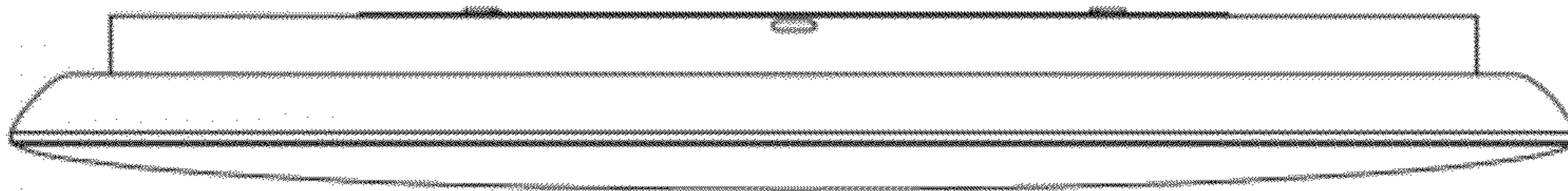


FIG. 4

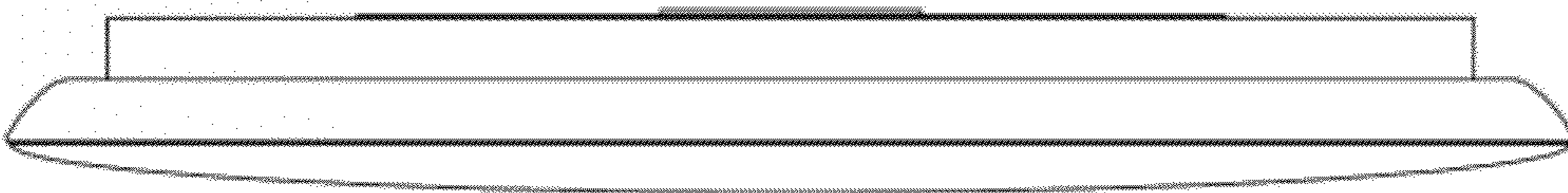


FIG. 5

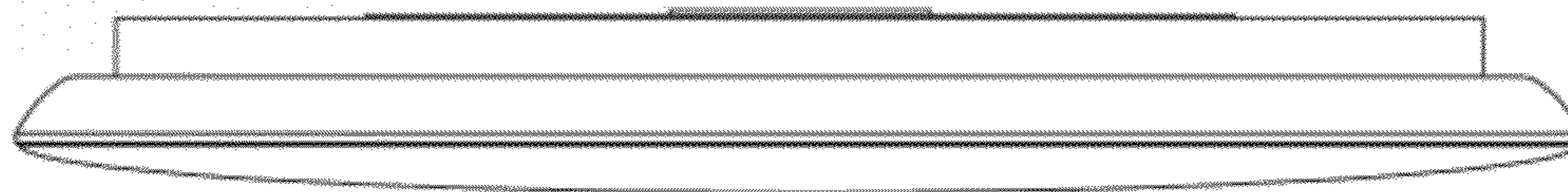


FIG. 6

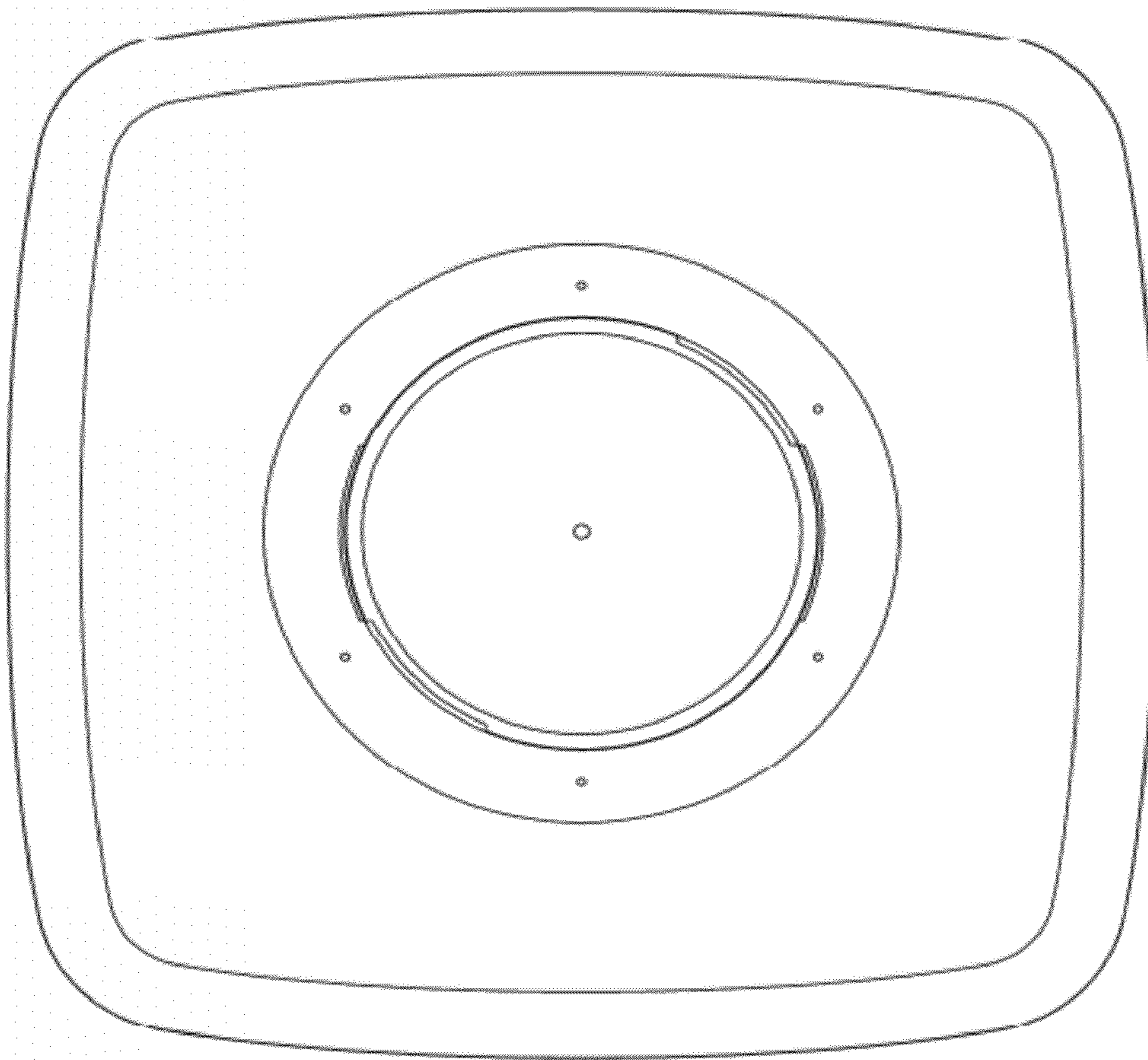


FIG. 7

