

US00D667161S

(12) **United States Design Patent**  
**Chen**

(10) **Patent No.:** **US D667,161 S**

(45) **Date of Patent:** **\*\* Sep. 11, 2012**

(54) **WALL LIGHT**

(76) Inventor: **Chia-Teh Chen**, Taipei (TW)

(\*\*) Term: **14 Years**

(21) Appl. No.: **29/402,394**

(22) Filed: **Sep. 23, 2011**

(51) **LOC (9) Cl.** ..... **26-03**

(52) **U.S. Cl.** ..... **D26/87**

(58) **Field of Classification Search** ..... D26/80,  
D26/85, 86, 87, 89, 92, 128, 138, 141, 155;  
362/147, 404-408, 431, 432

See application file for complete search history.

(56) **References Cited**

**U.S. PATENT DOCUMENTS**

D65,207 S *	7/1924	Wolter	.....	D26/87
D70,351 S *	6/1926	Wolter	.....	D26/85
D73,618 S *	10/1927	Miller	.....	D26/87
D166,966 S *	6/1952	Huegel	.....	D26/87
D522,164 S *	5/2006	Trivino et al.	.....	D26/71
D532,147 S *	11/2006	Crosby	.....	D26/118
D533,677 S *	12/2006	Broughton et al.	.....	D26/87
D535,427 S *	1/2007	Chandler	.....	D26/87
D536,821 S *	2/2007	Dolan	.....	D26/87
D538,461 S *	3/2007	Broughton et al.	.....	D26/87

D541,973 S *	5/2007	Dolan	.....	D26/87
D570,522 S *	6/2008	Chandler	.....	D26/85
D572,401 S *	7/2008	Chandler	.....	D26/87

\* cited by examiner

*Primary Examiner* — Clare E Heflin

(74) *Attorney, Agent, or Firm* — Li & Cai Intellectual Property (USA) Office

(57) **CLAIM**

The ornamental design for a “wall light,” as shown and described.

**DESCRIPTION**

FIG. 1 is a perspective view of a “wall light” showing my design;

FIG. 2 is a front view thereof;

FIG. 3 is a rear view thereof;

FIG. 4 is a left side view thereof;

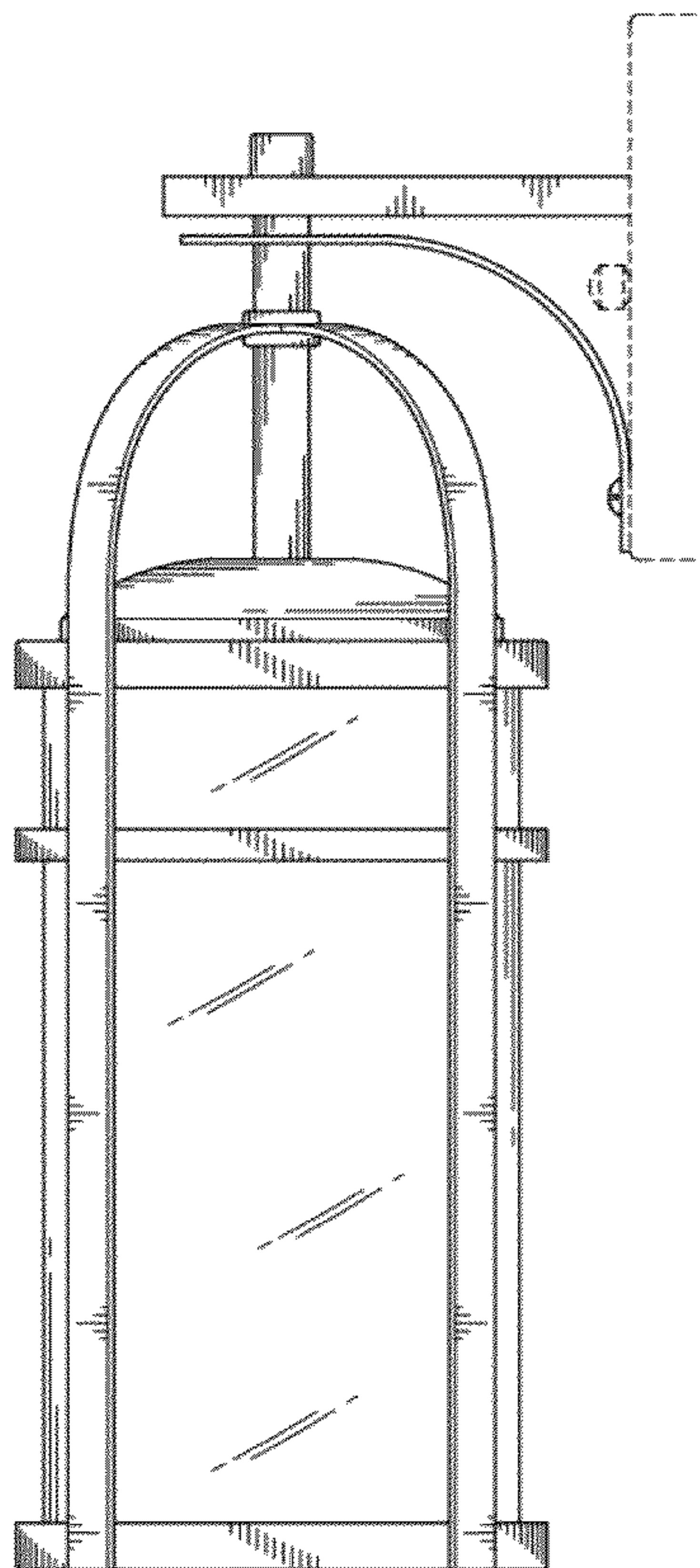
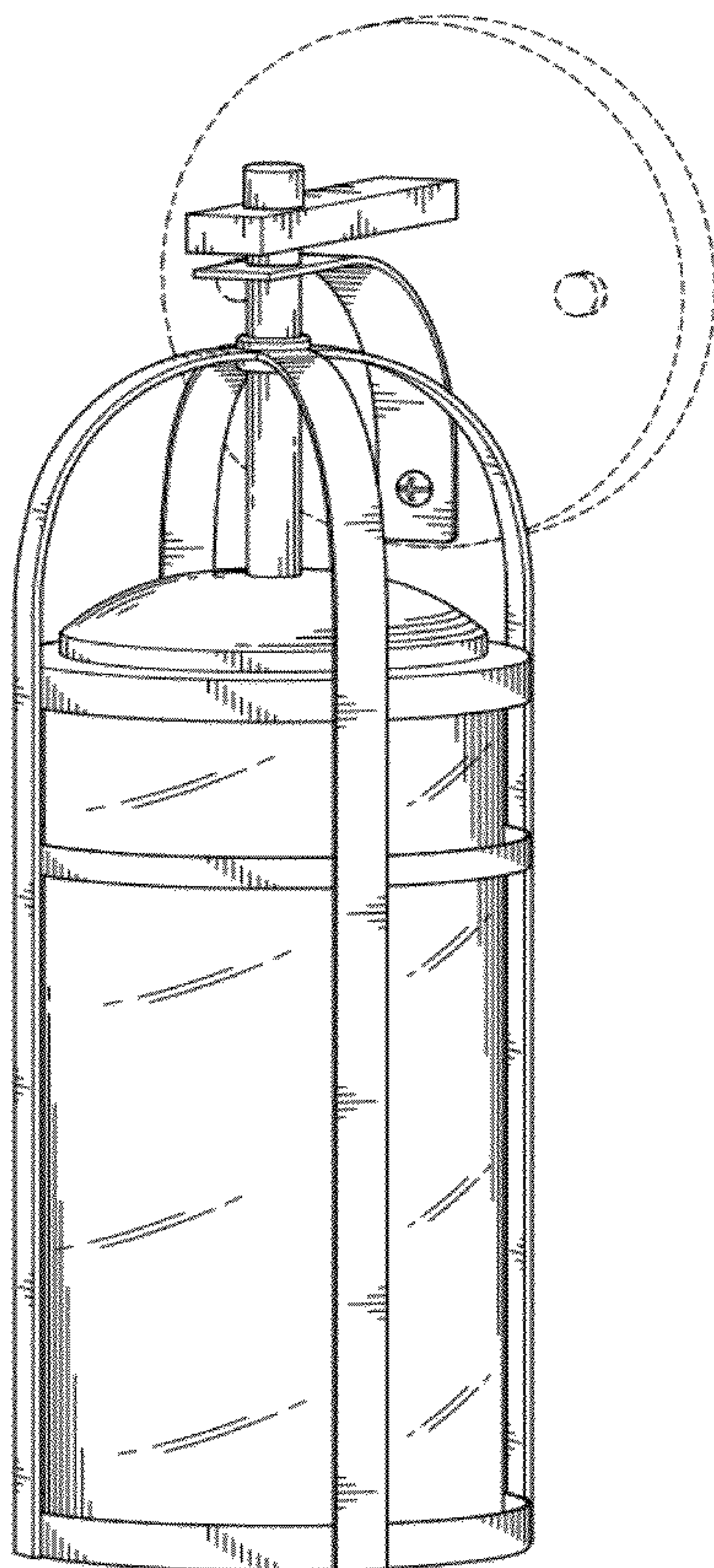
FIG. 5 is a right side view thereof;

FIG. 6 is a top view thereof; and,

FIG. 7 is a bottom view thereof.

The broken lines throughout the drawings are included for the purpose of illustrating portions of the subject matter that form no part of the claimed design.

**1 Claim, 6 Drawing Sheets**





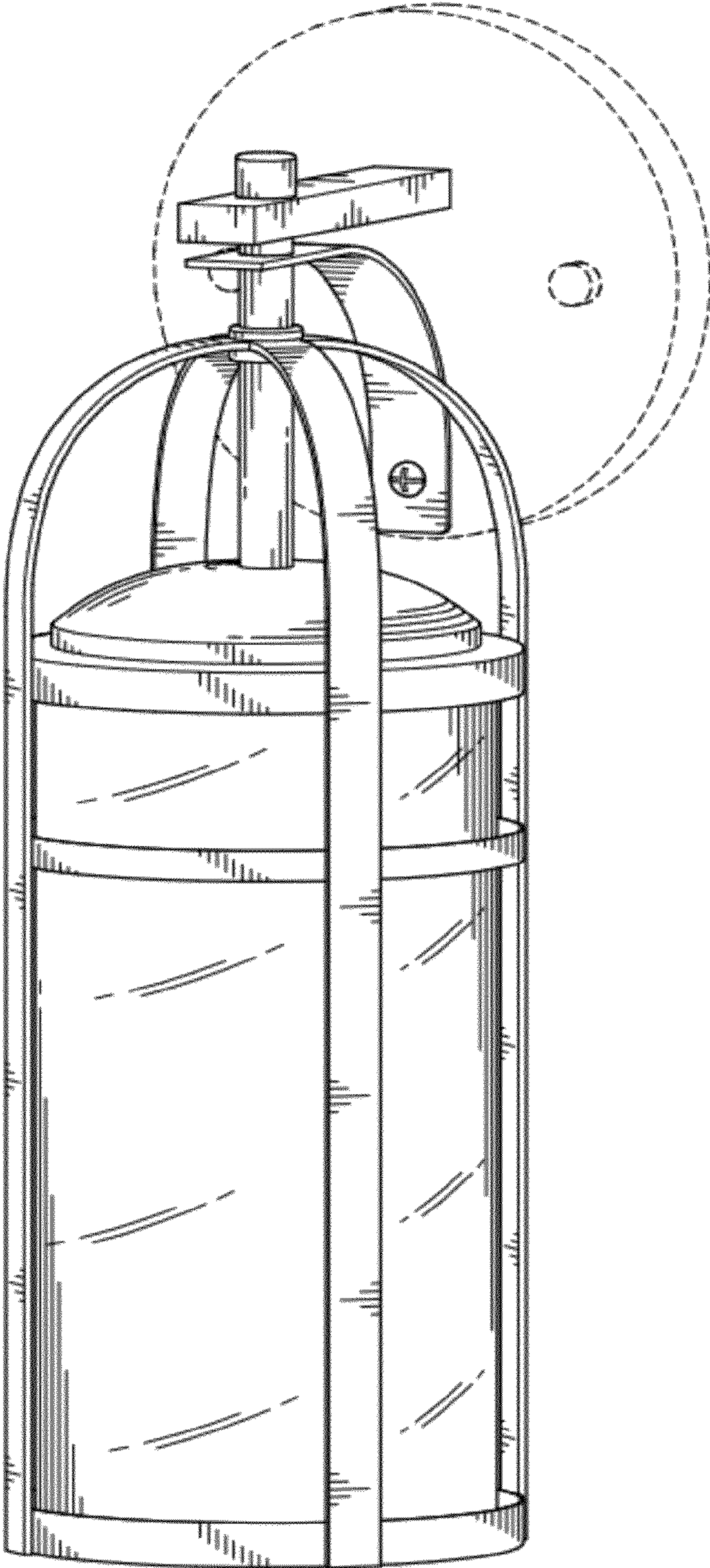


FIG. 1

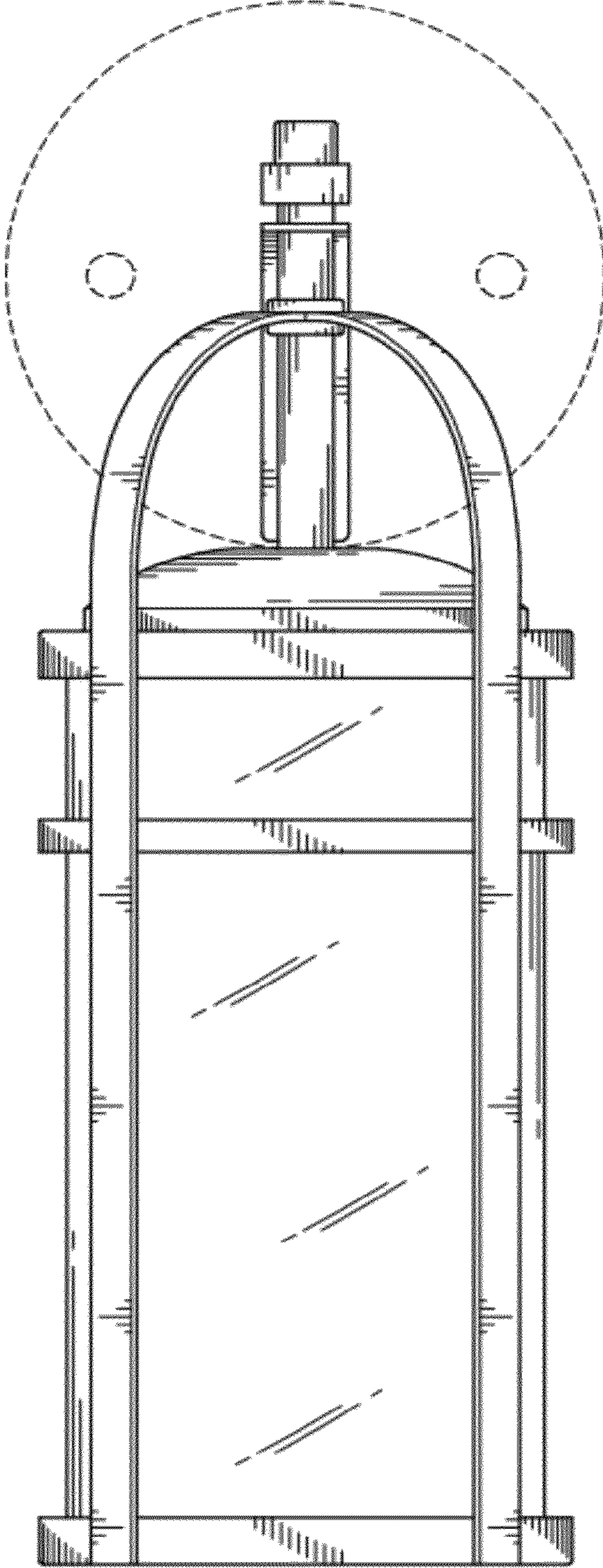


FIG. 2



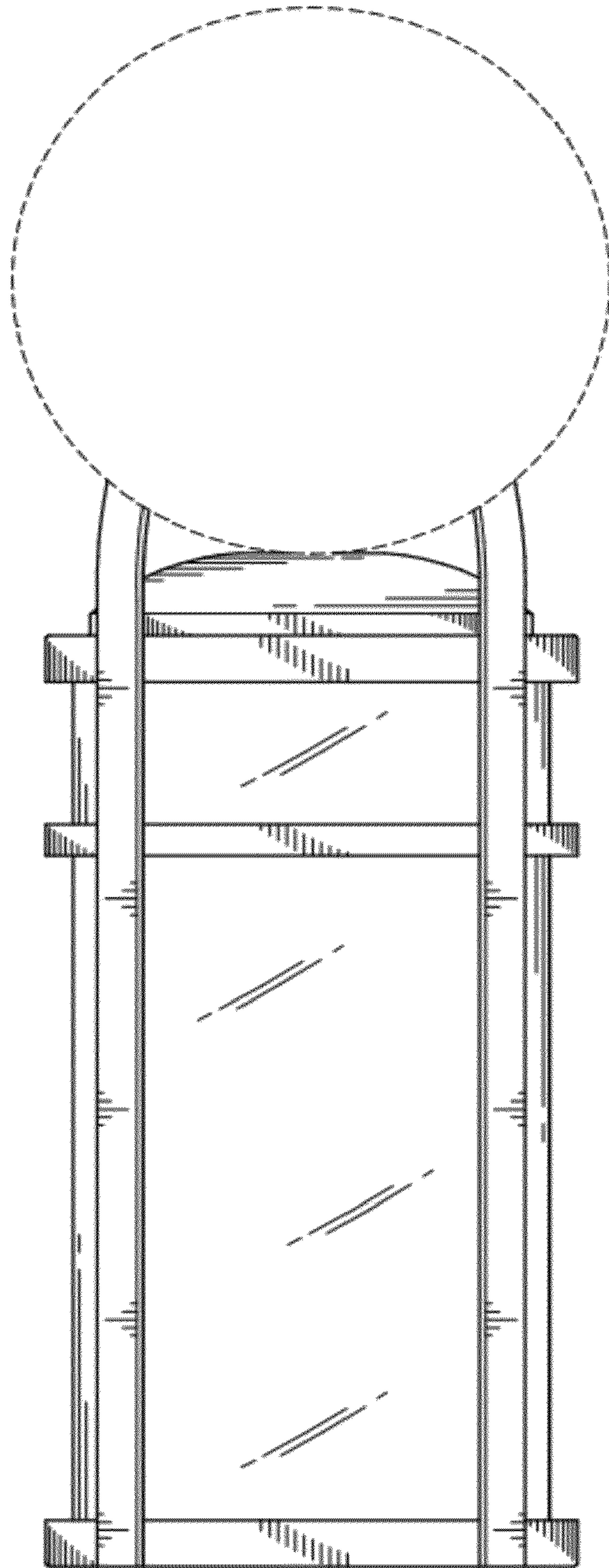


FIG. 3

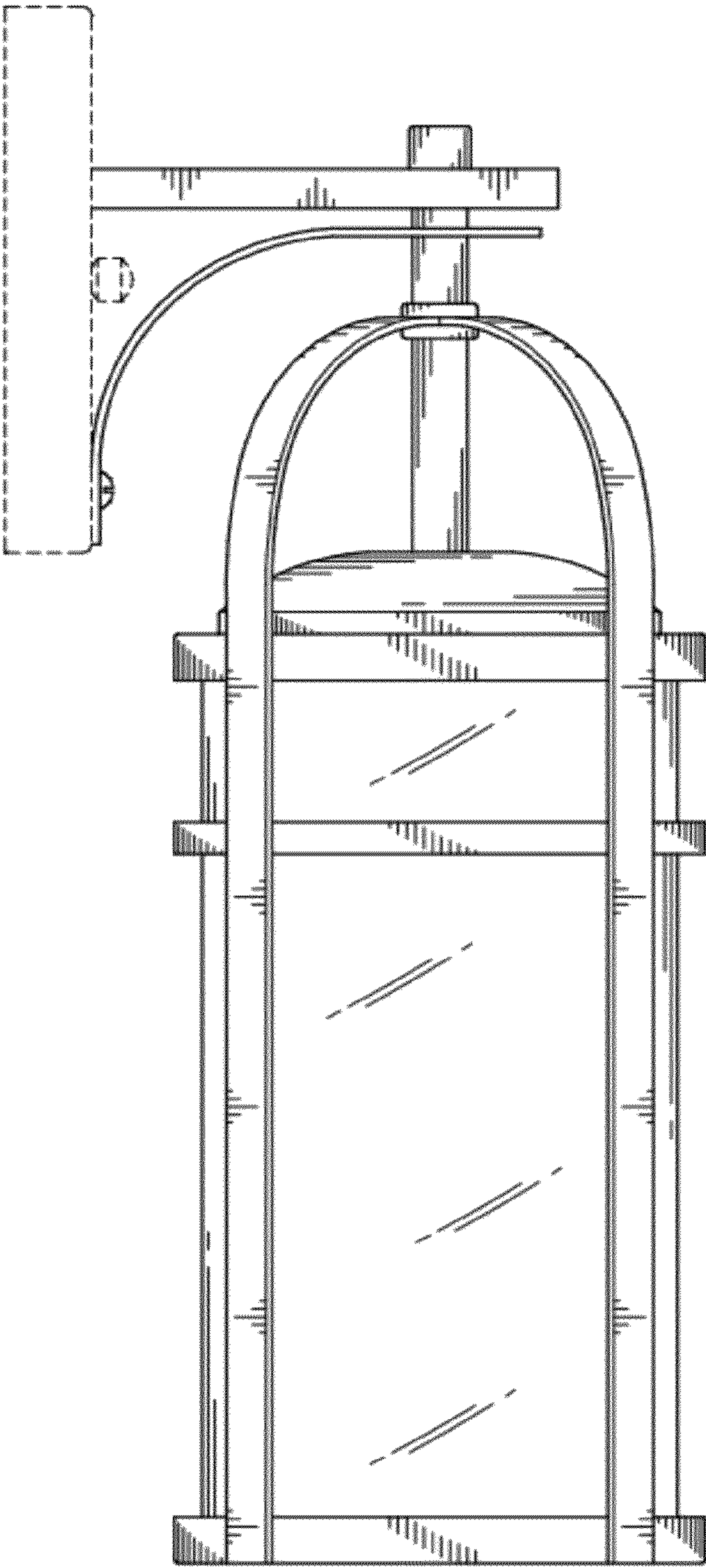


FIG. 4



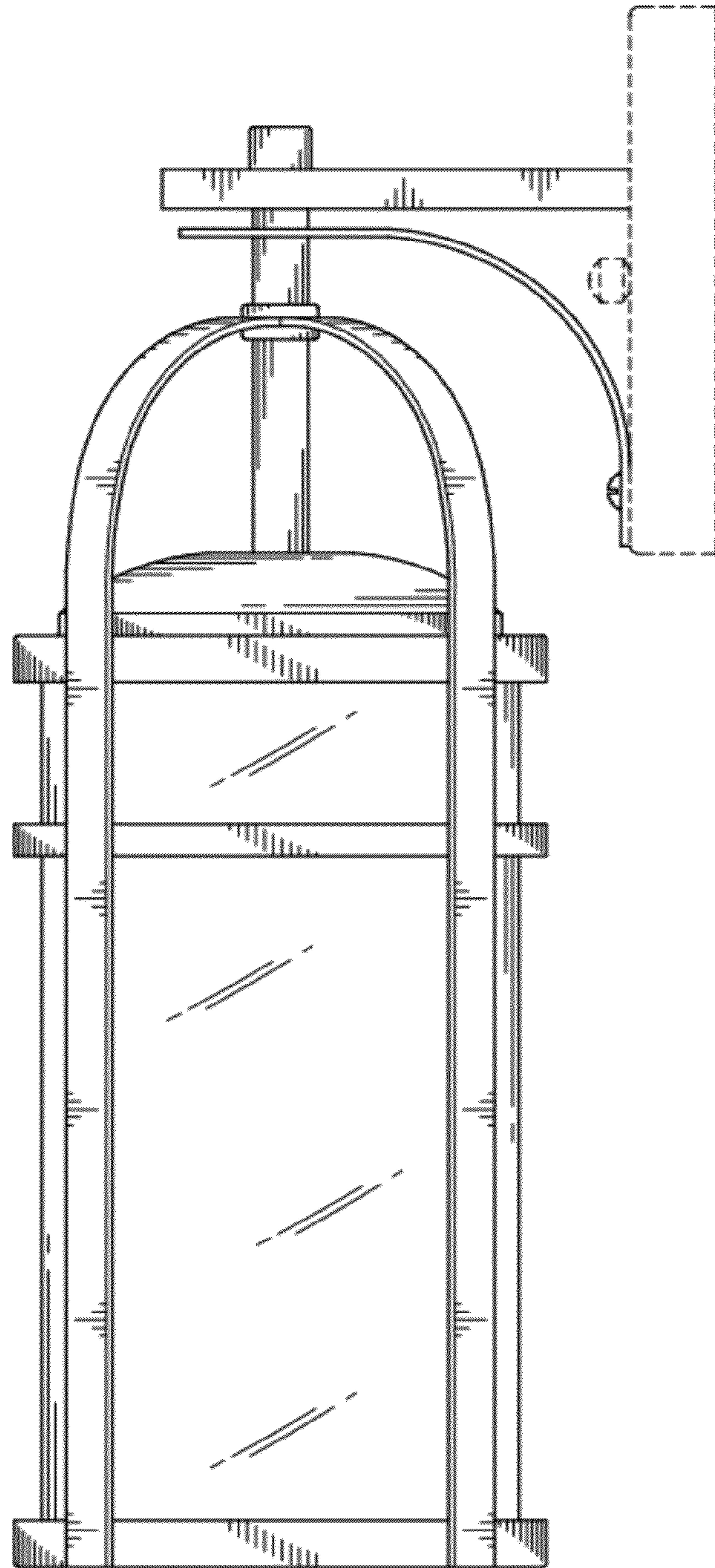


FIG. 5

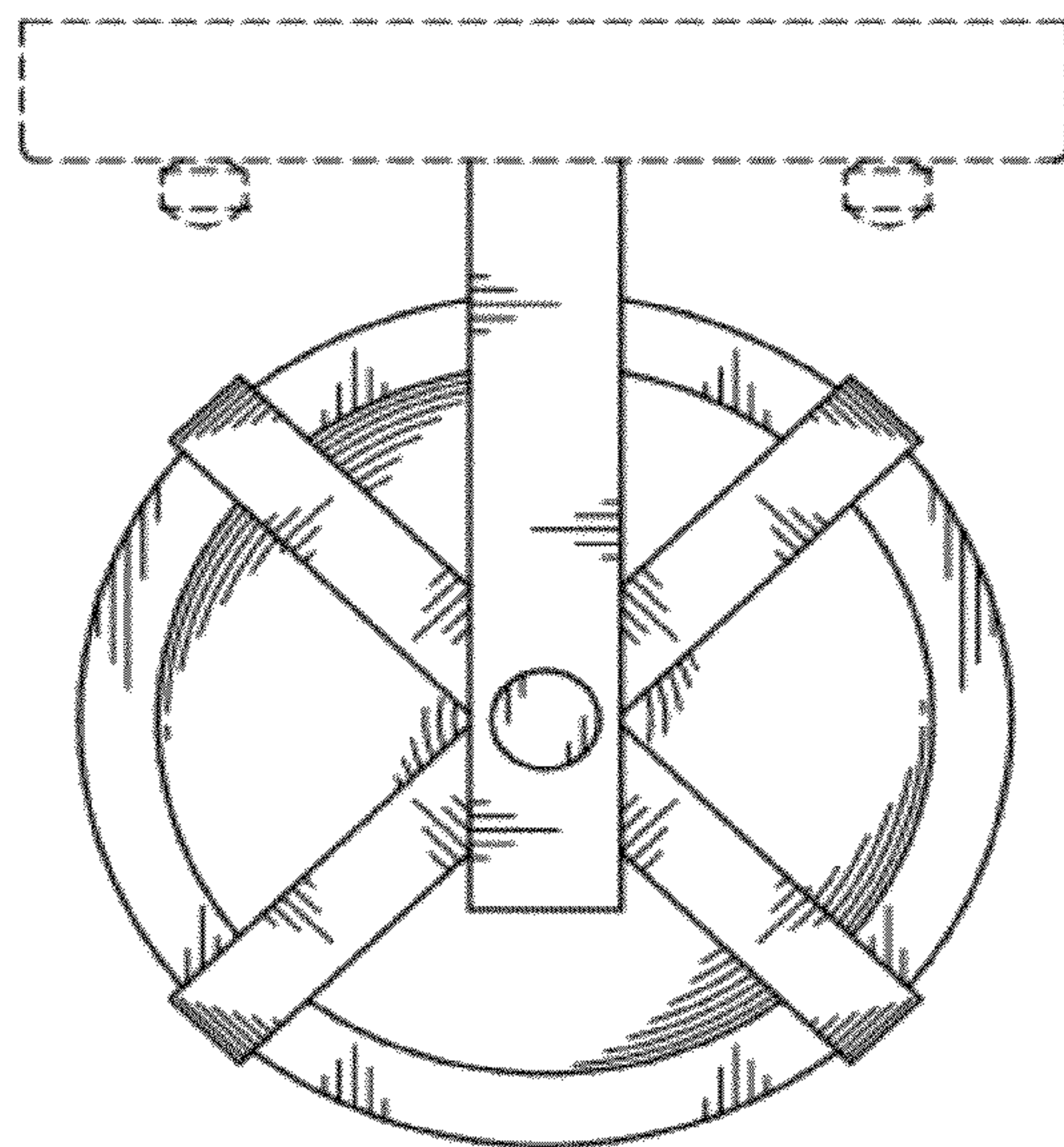


FIG. 6

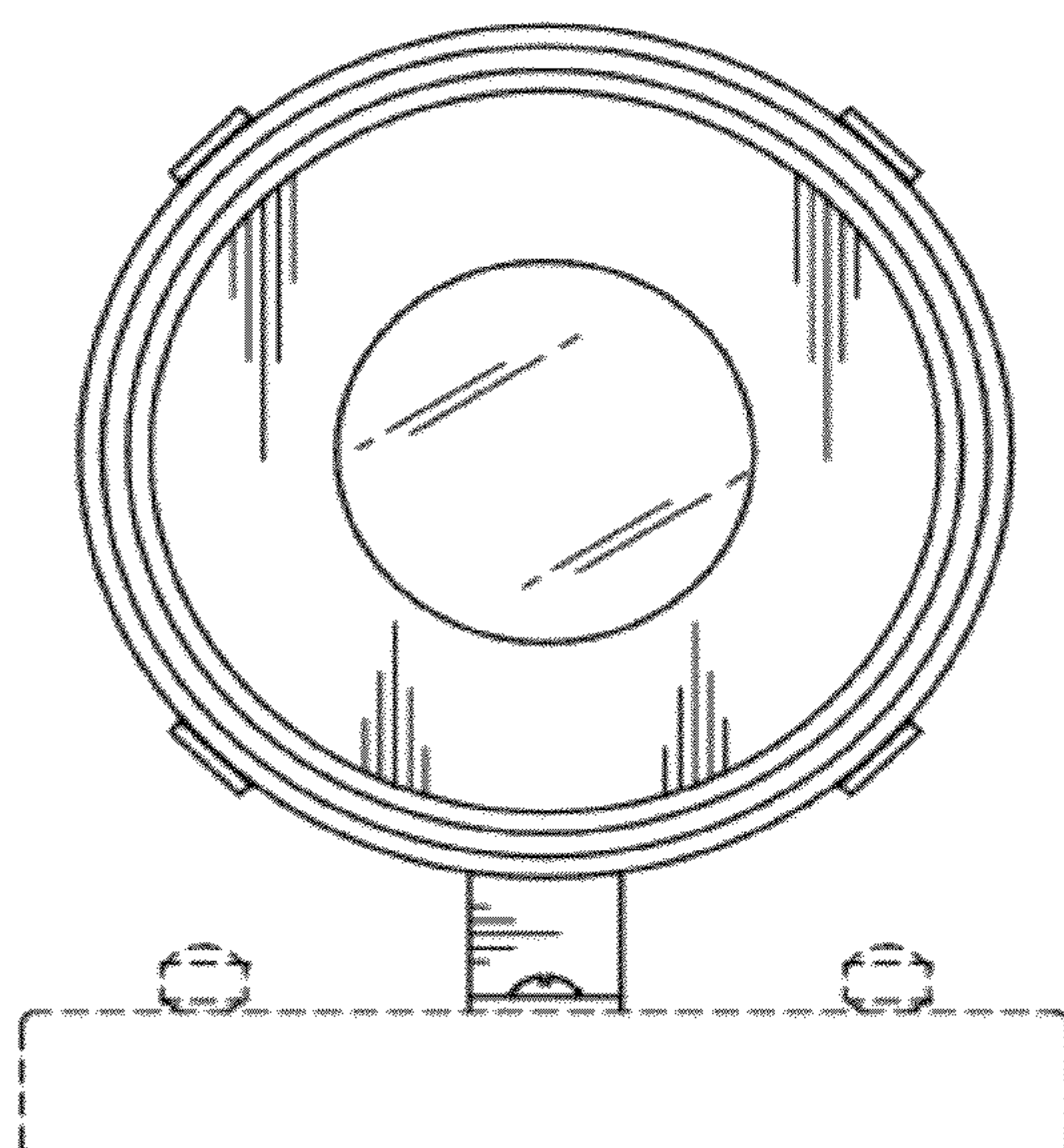


FIG. 7