

US00D667159S

(12) **United States Design Patent**  
**Wauters**

(10) **Patent No.:** **US D667,159 S**  
(45) **Date of Patent:** **\*\* Sep. 11, 2012**

(54) **LUMINAIRE**

(75) Inventor: **Tom Wauters**, Mortsel (BE)

(73) Assignee: **Koninklijke Philips Electronics N.V.**,  
Eindhoven (NL)

(\*\*) Term: **14 Years**

(21) Appl. No.: **29/392,079**

(22) Filed: **May 17, 2011**

(30) **Foreign Application Priority Data**

Nov. 18, 2010 (EM) ..... 001783192-0006

(51) **LOC (9) Cl.** ..... **26-03**

(52) **U.S. Cl.** ..... **D26/87; D26/85**

(58) **Field of Classification Search** ..... D26/79,  
D26/80, 85, 86, 87, 89, 92, 128, 138, 141,  
D26/155; 362/147, 404-408, 431, 432  
See application file for complete search history.

(56) **References Cited**

**U.S. PATENT DOCUMENTS**

D197,206 S *	12/1963	Hammer	.....	D26/85
D206,019 S *	10/1966	Walz	.....	D26/87
D211,489 S *	6/1968	Sigvard	.....	D26/87
D211,490 S *	6/1968	Sigvard	.....	D26/87
D239,858 S *	5/1976	Scarpa	.....	D26/87

4,472,768 A *	9/1984	Quiogue	.....	362/370
D288,136 S *	2/1987	Pfister	.....	D26/87
D296,015 S *	5/1988	Falconer et al.	.....	D26/72
D389,592 S *	1/1998	Reiser	.....	D26/36
D402,389 S *	12/1998	Norman et al.	.....	D26/87
D408,938 S *	4/1999	Miyatake	.....	D26/87
D565,788 S *	4/2008	Miyatake	.....	D26/155
D626,679 S *	11/2010	Verelst	.....	D26/85

**OTHER PUBLICATIONS**

“Beam” wall sconce from Edge Lighting. PDF Brochure created Feb. 26, 2009.\*

\* cited by examiner

*Primary Examiner* — Clare E Heflin

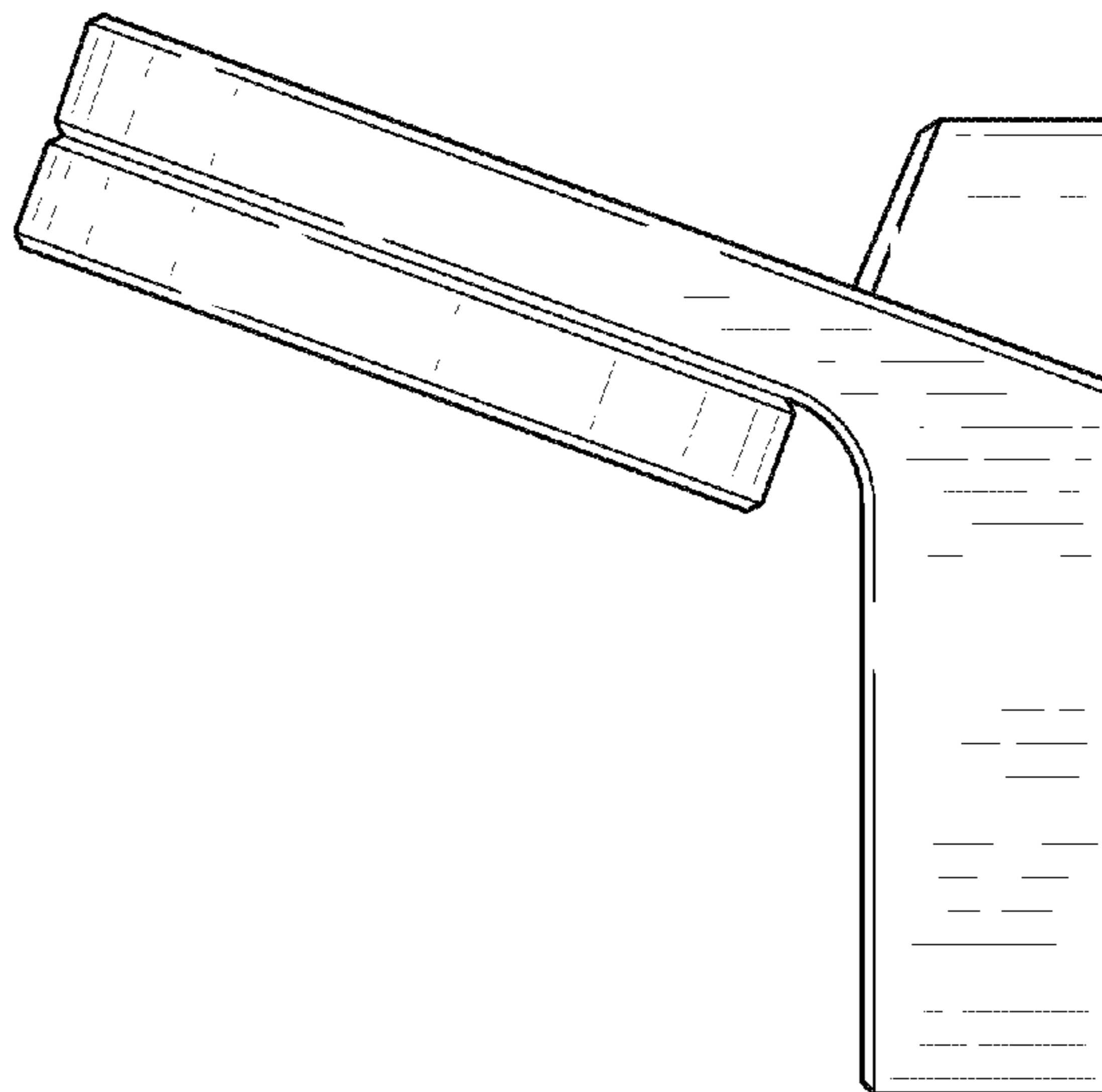
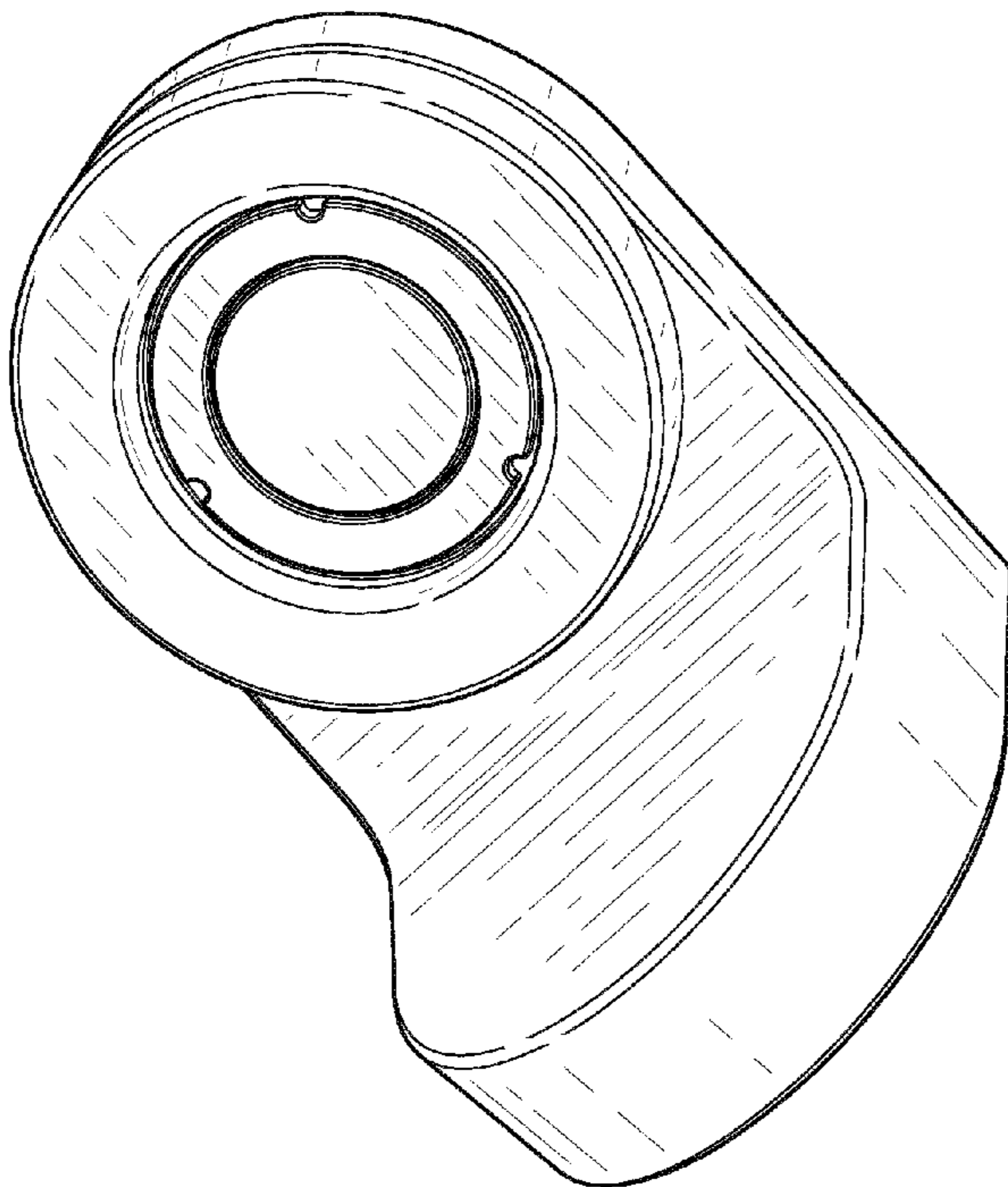
(57) **CLAIM**

The ornamental design for a luminaire, as shown.

**DESCRIPTION**

FIG. 1 is a perspective view showing my design;  
FIG. 2 is a front elevational view thereof;  
FIG. 3 is a rear elevational view thereof;  
FIG. 4 is a right side elevational view thereof;  
FIG. 5 is a left side elevational view thereof;  
FIG. 6 is a top plan view thereof; and,  
FIG. 7 is a bottom plan view thereof.

**1 Claim, 4 Drawing Sheets**



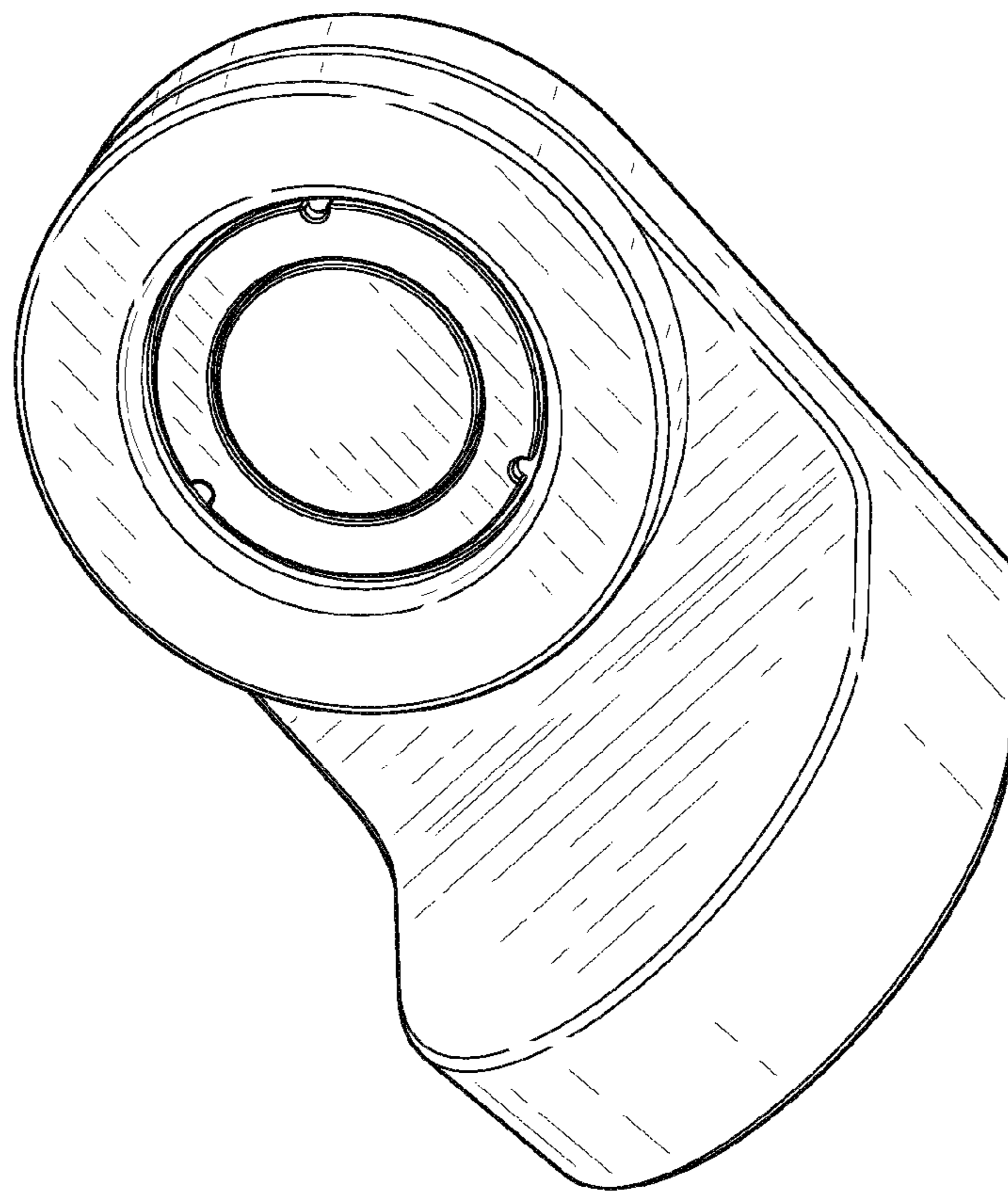


FIG. 1

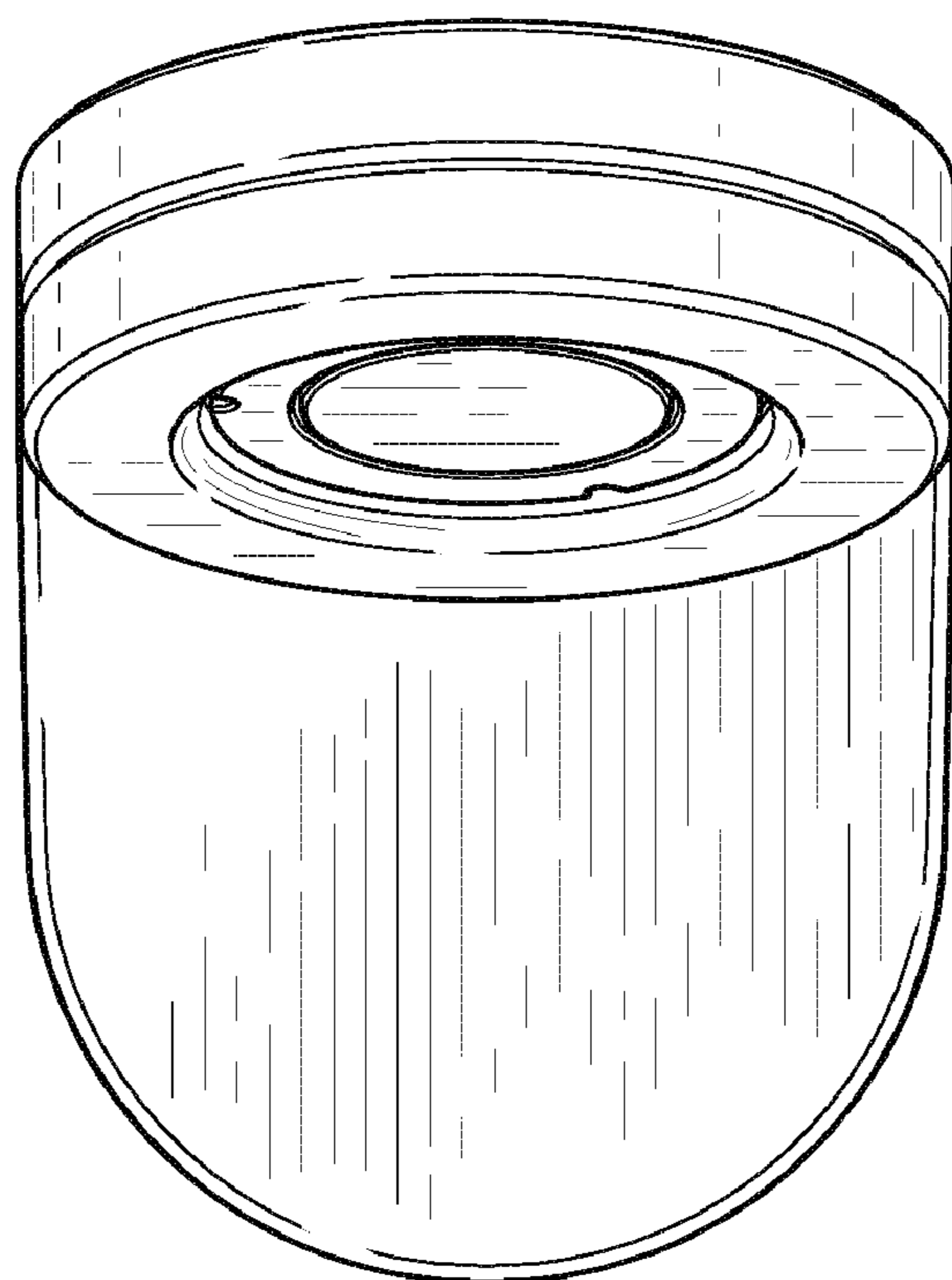


FIG. 2

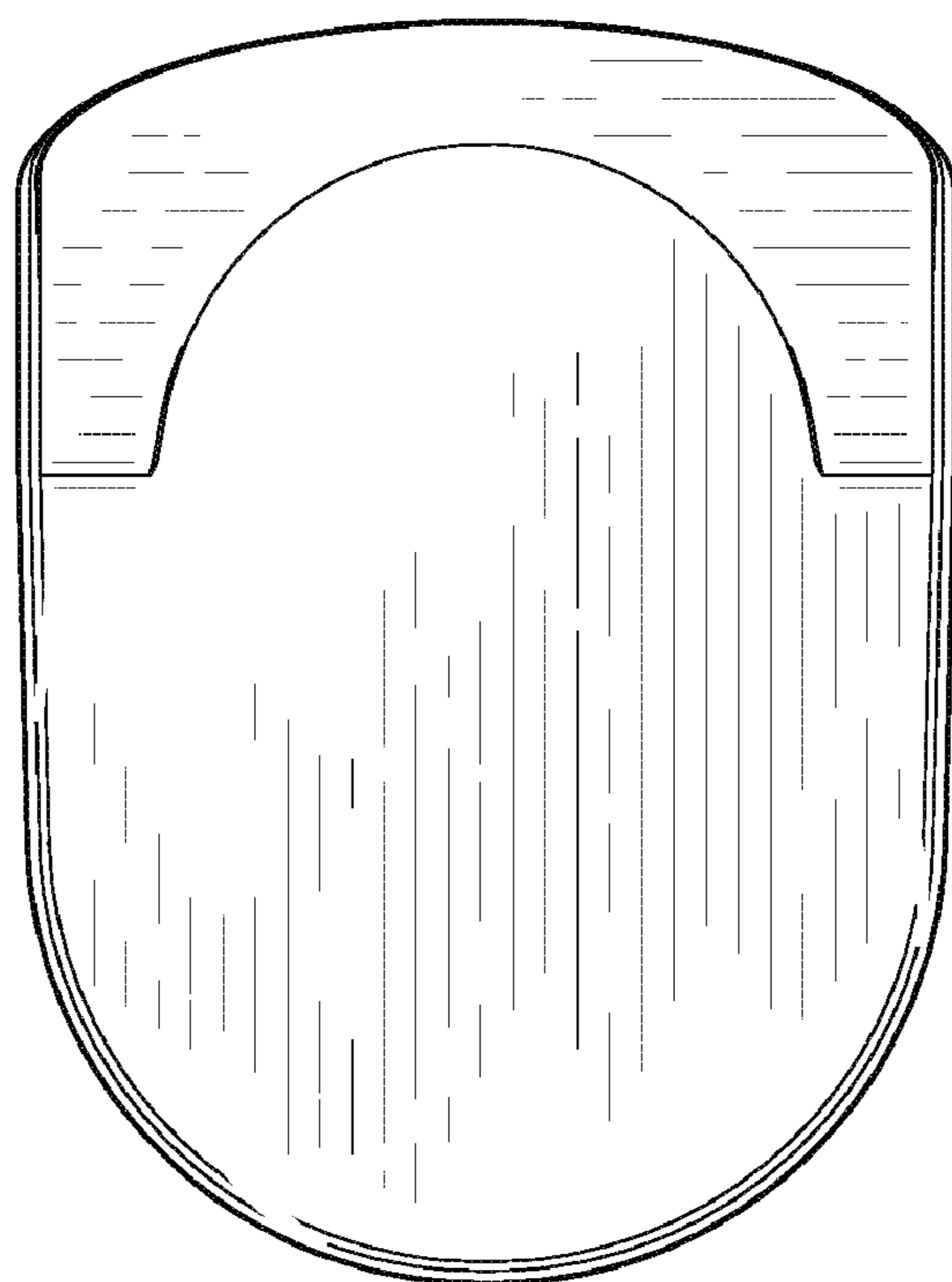


FIG. 3

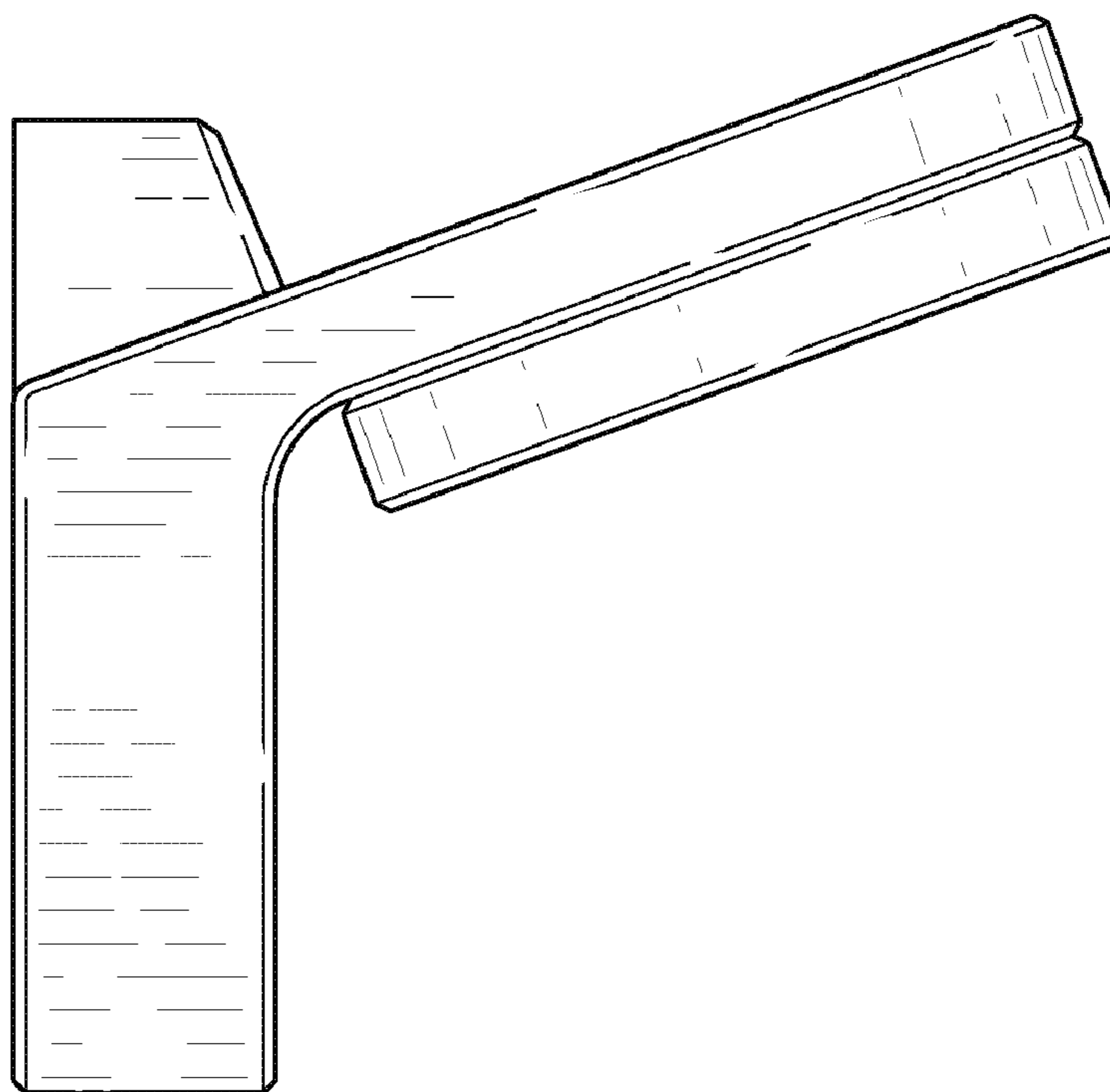


FIG. 4

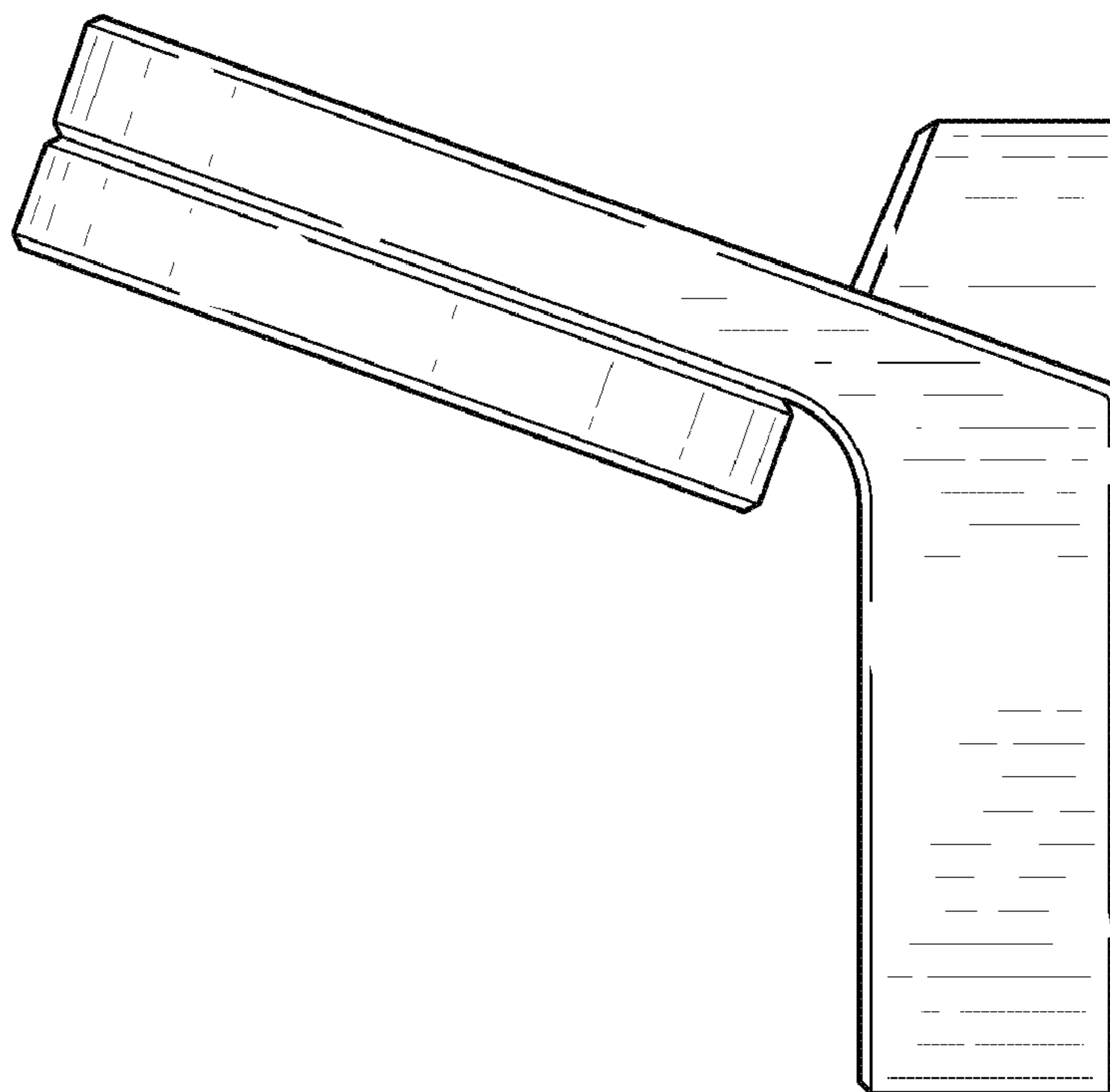


FIG. 5

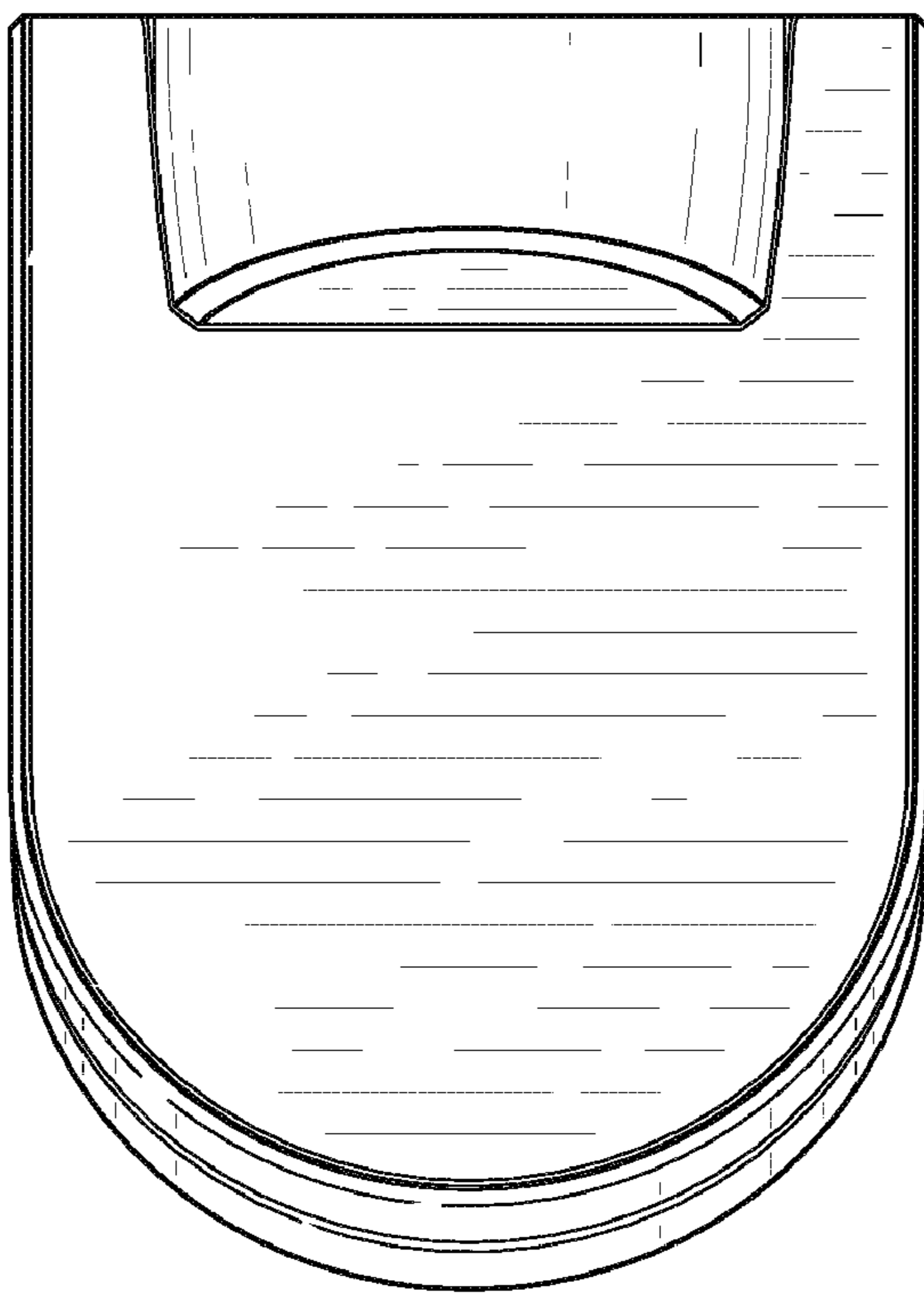


FIG. 6

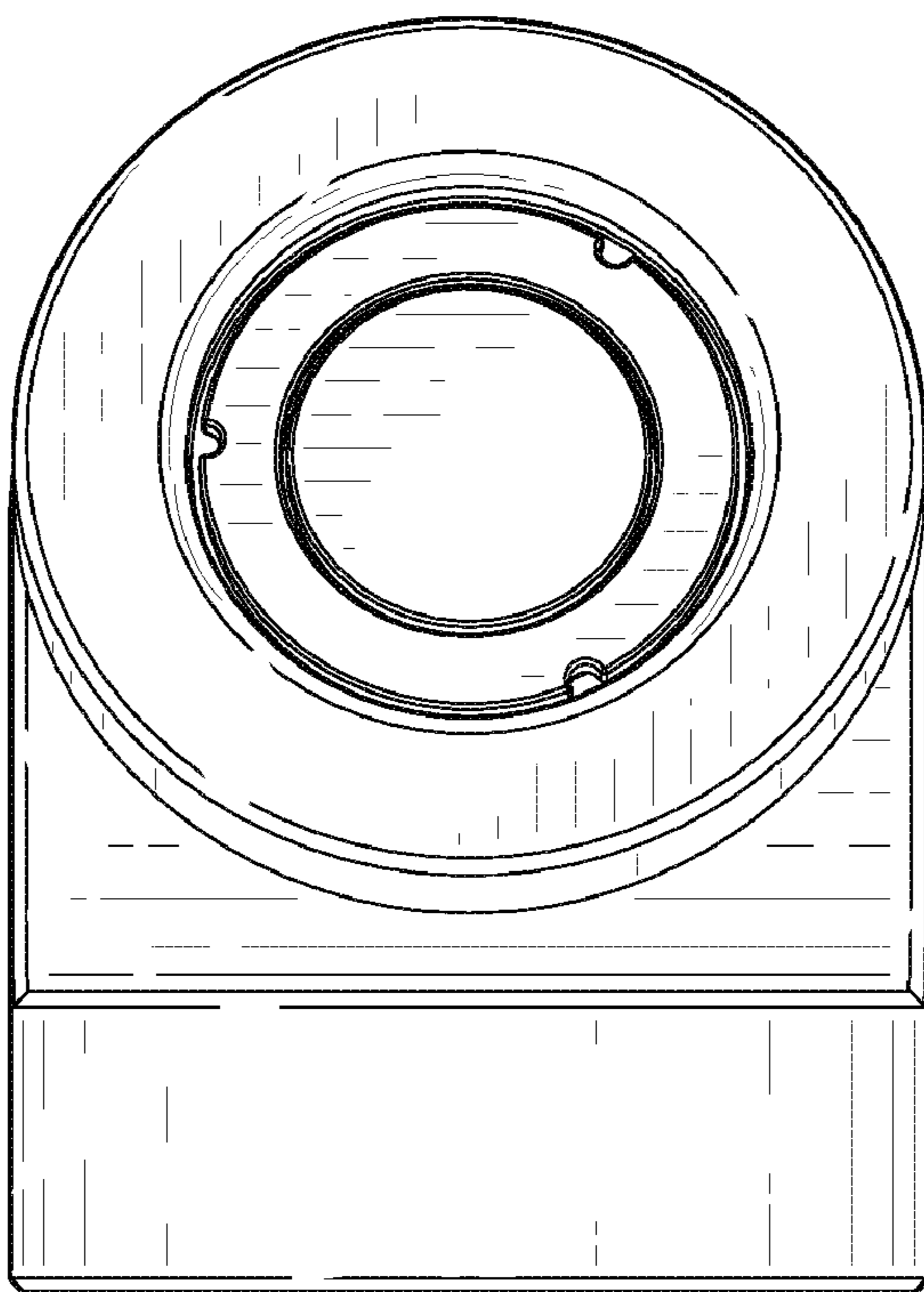


FIG. 7