



US00D667157S

(12) **United States Design Patent**  
**Ferguson et al.**

(10) **Patent No.:** **US D667,157 S**

(45) **Date of Patent:** **\*\* \*Sep. 11, 2012**

(54) **LIGHTING FIXTURE**

(75) Inventors: **Christopher J. Ferguson**, Westchester, IL (US); **Michael T. Thornton**, Burr Ridge, IL (US)

(73) Assignee: **Focal Point, L.L.C.**, Chicago, IL (US)

(\*) Notice: This patent is subject to a terminal disclaimer.

(\*\*) Term: **14 Years**

(21) Appl. No.: **29/394,770**

(22) Filed: **Jun. 21, 2011**

(51) **LOC (9) Cl.** ..... **26-03**

(52) **U.S. Cl.** ..... **D26/76**

(58) **Field of Classification Search** ..... D26/72,  
D26/74, 75, 76, 77, 78, 79, 80, 81, 82, 83,  
D26/84, 85, 88, 89, 90, 122, 118; 362/145,  
362/146, 147, 148, 150, 151, 152, 153, 153.1,  
362/217.01, 217.02, 217.05, 217.06, 217.07,  
362/217.08, 217.09, 217.1, 217.11, 249.02,  
362/260, 296.07, 311.02

See application file for complete search history.

(56) **References Cited**

**U.S. PATENT DOCUMENTS**

D115,014	S	*	5/1939	Waltman	.....	D26/24
D192,646	S	*	4/1962	Pascucci et al.	.....	D26/76
D330,268	S	*	10/1992	Jaksich	.....	D26/74
D385,379	S	*	10/1997	Tillotson	.....	D26/76
7,175,312	B2	*	2/2007	Fowler, Jr.	.....	362/260
D580,583	S	*	11/2008	Pfund	.....	D26/76
D585,581	S	*	1/2009	Purcell	.....	D26/85
7,530,716	B2	*	5/2009	Mayfield et al.	.....	362/299
D602,188	S	*	10/2009	Fabbri et al.	.....	D26/74
D614,792	S	*	4/2010	Fabbri et al.	.....	D26/74
D621,086	S	*	8/2010	Purcell	.....	D26/76
8,038,321	B1	*	10/2011	Franck et al.	.....	362/249.02
2007/0211457	A1	*	9/2007	Mayfield et al.	.....	362/223

**OTHER PUBLICATIONS**

Cooper Lighting, "Neo-Ray/ 22DR Straight & Narrow Gen II," www.cooperlighting.com, May 28, 2010, pp. 1-2, Peachtree City, GA.  
Columbia Lighting, "Recessed Architectural/ZPT14," www.columbialighting.com, Sep. 28, 2010, pp. 1-2, Greenville, SC.  
Cooper Lighting, "Neo-Ray/Series 7," www.cooperlighting.com, Dec. 2, 2010, pp. 1-2, Peachtree City, GA.  
Cooper Lighting, "Fail-Safe/SGI," www.cooperlighting.com, Oct. 12, 2010, pp. 1-2, Peachtree City, GA.  
Cooper Lighting, "Fail-Safe/MAO," www.cooperlighting.com, Mar. 25, 2011, pp. 1-2, Peachtree City, GA.  
Focal Point, "avenue 6," www.focalpointlights.com, Apr. 2011, pp. 1-4, Chicago, IL.  
Lithonia Lighting, "2VTLED," www.lithonia.com, Jun. 8, 2011, pp. 1-2, Conyers, GA.  
Cooper Lighting, "Corelite/ R Mini Frosted Prismatic Lens," www.cooperlighting.com, Jun. 17, 2011, p. 1, Peachtree City, GA.

\* cited by examiner

*Primary Examiner* — Angela J Lee

(74) *Attorney, Agent, or Firm* — Banner & Witcoff, Ltd.

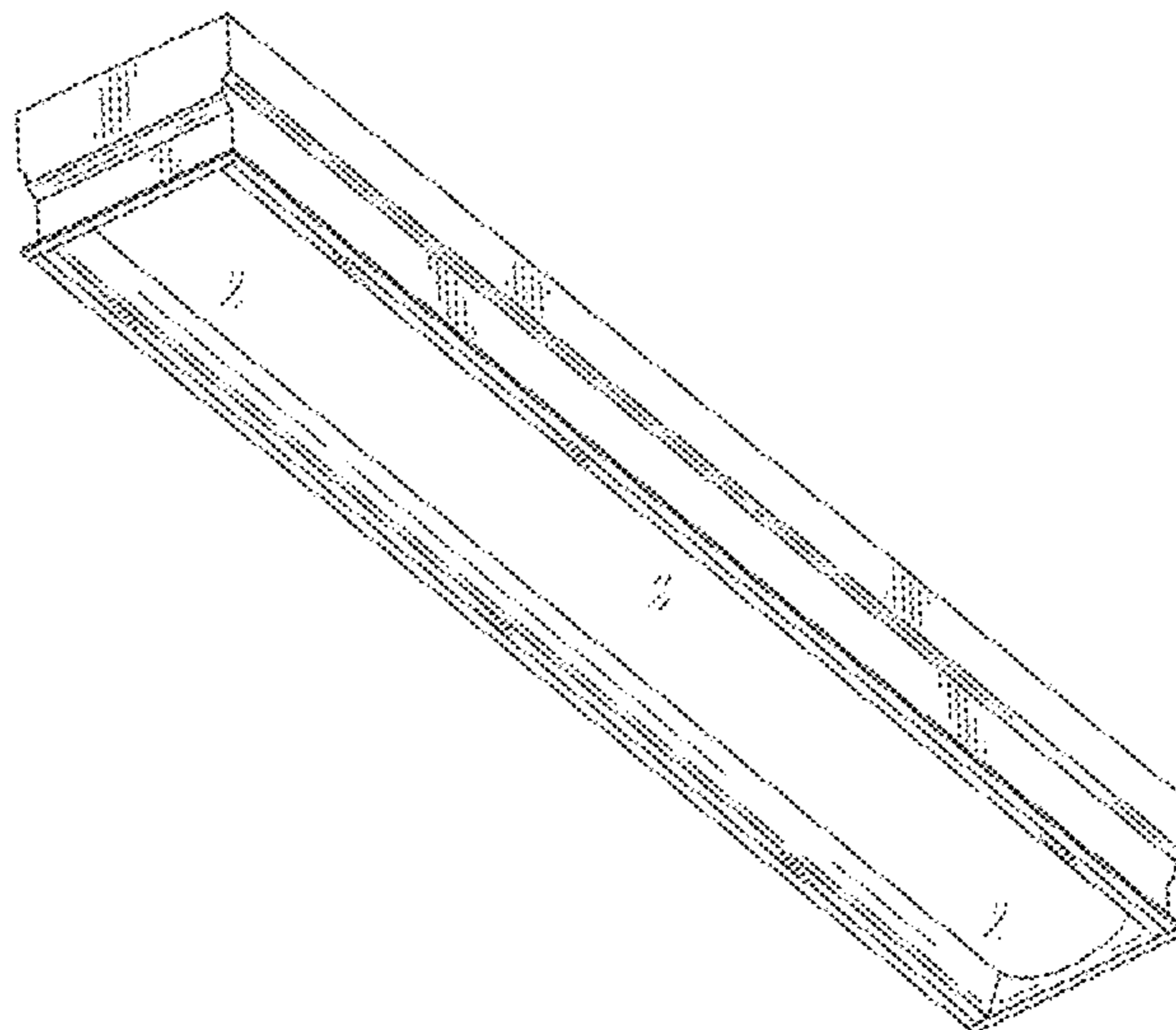
(57) **CLAIM**

The ornamental design for a lighting fixture, as shown and described.

**DESCRIPTION**

FIG. 1 is a bottom, front, right perspective view of a lighting fixture showing our new design;  
FIG. 2 is a bottom view thereof;  
FIG. 3 is a top view thereof;  
FIG. 4 is a right side view thereof;  
FIG. 5 is a left side view thereof;  
FIG. 6 is a front view thereof;  
FIG. 7 is a rear view thereof; and,  
FIG. 8 is a bottom, front perspective view thereof.

**1 Claim, 4 Drawing Sheets**



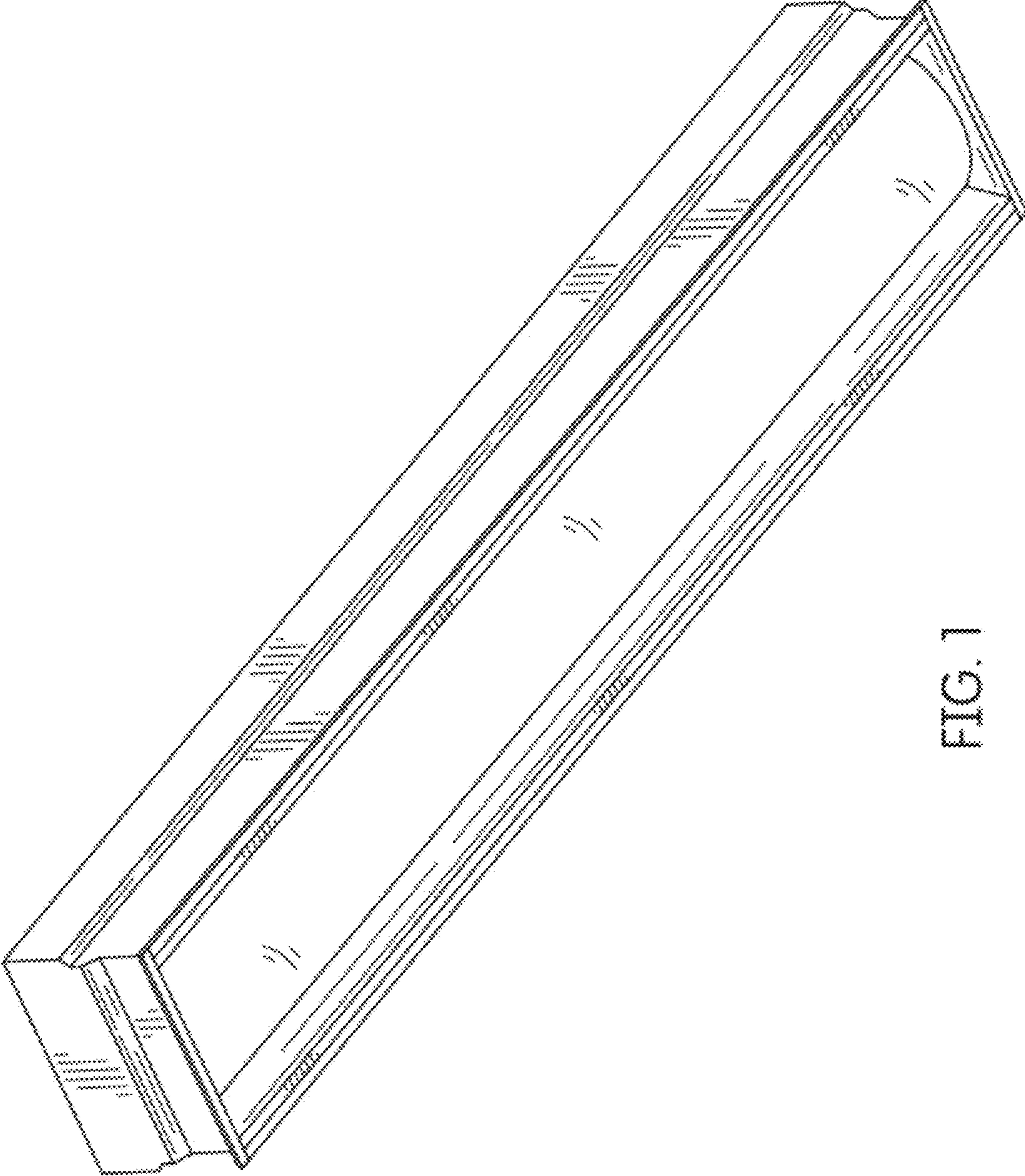


FIG. 1

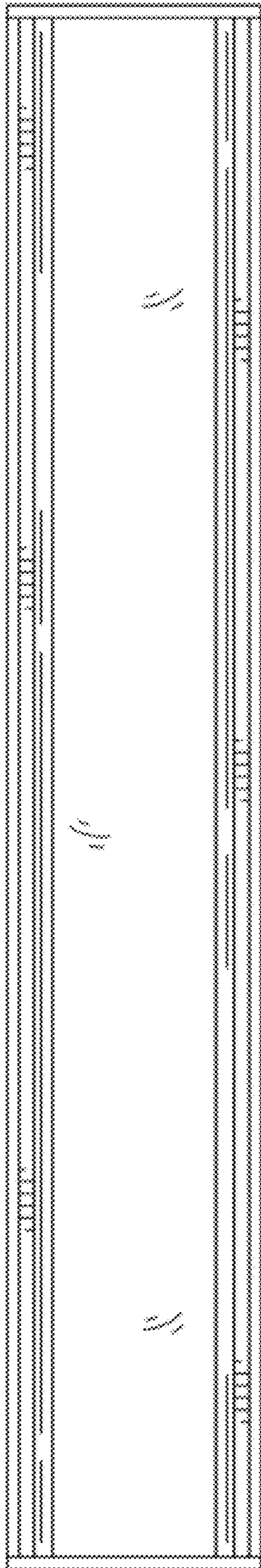


FIG. 2

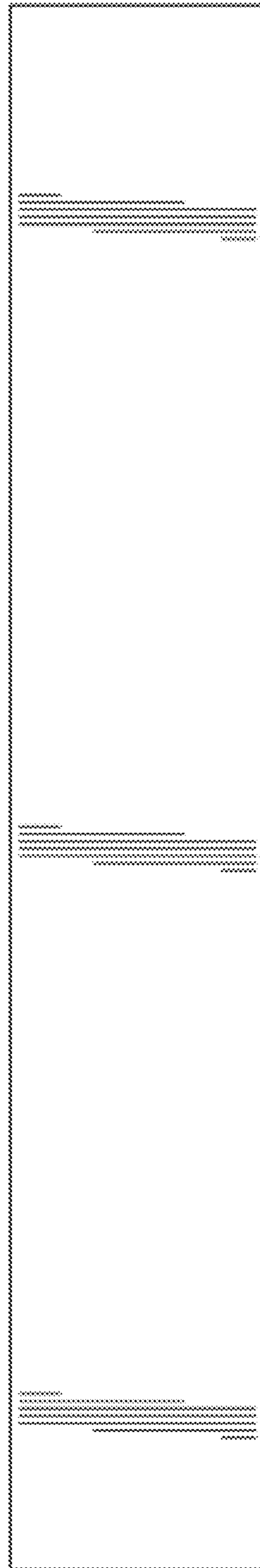


FIG. 3

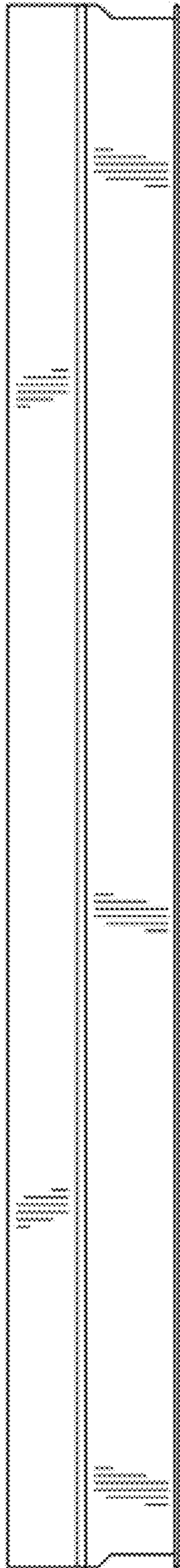


FIG. 4

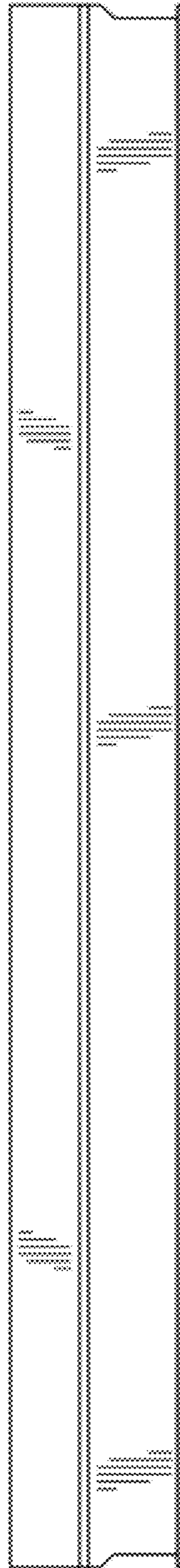


FIG. 5

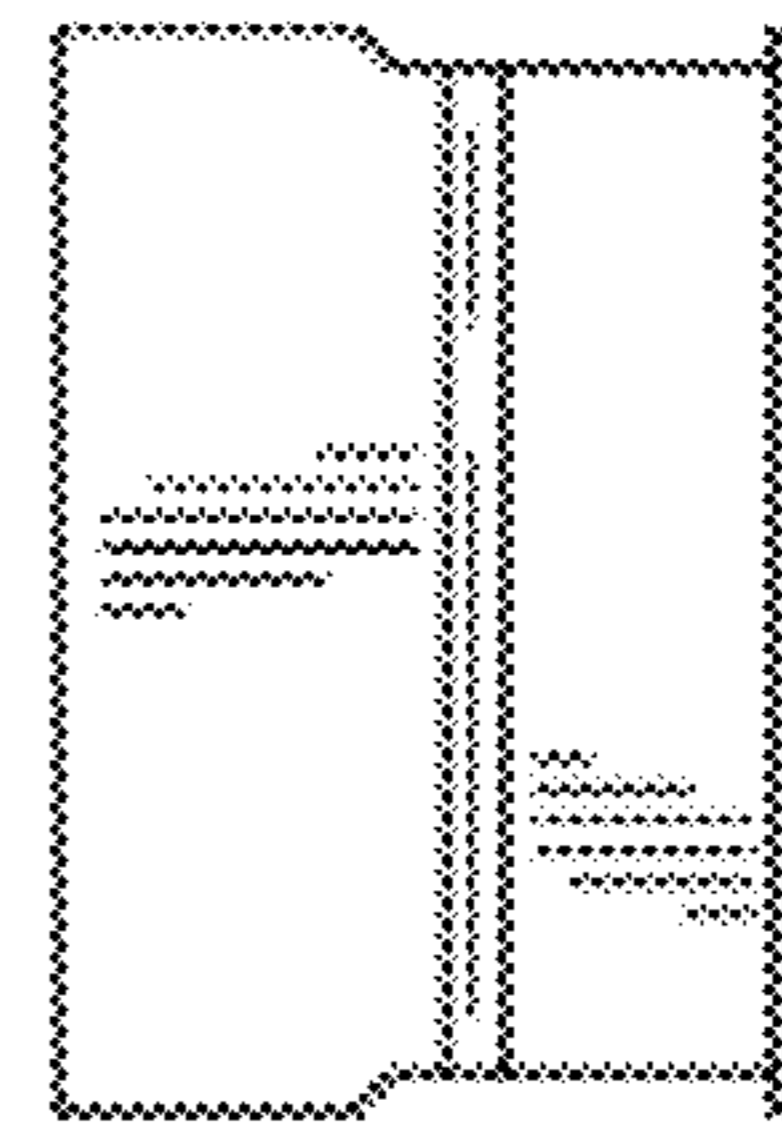


FIG. 6

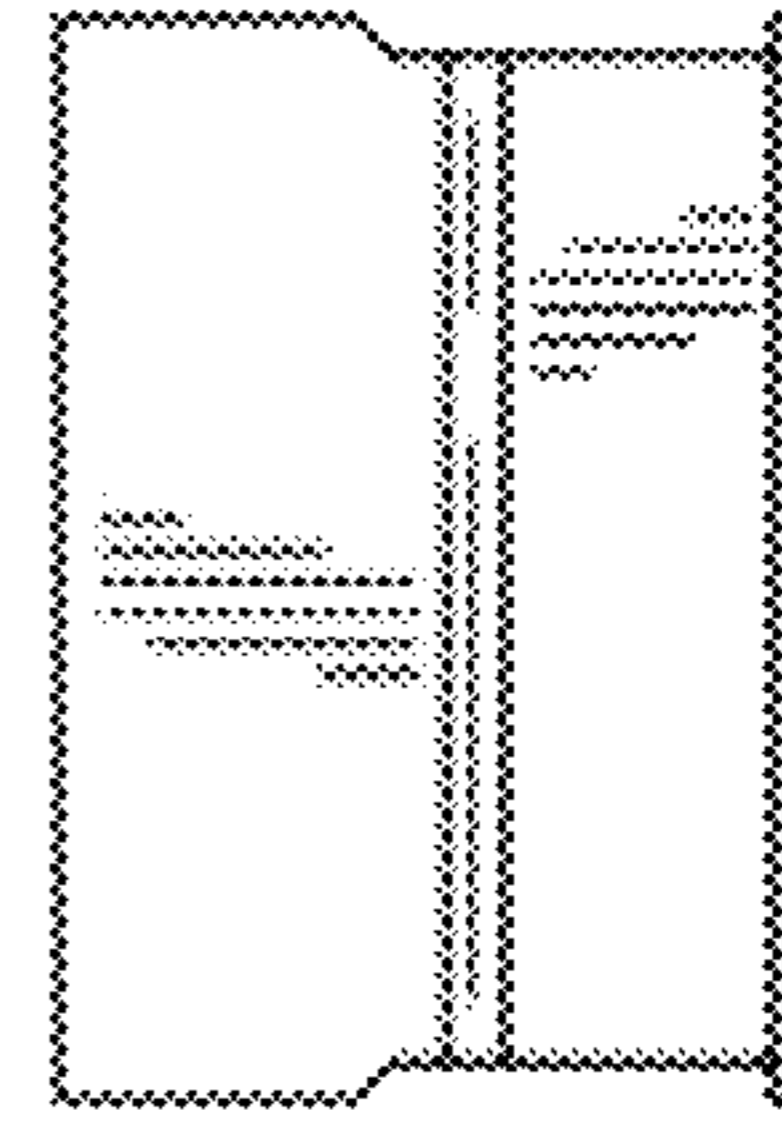


FIG. 7

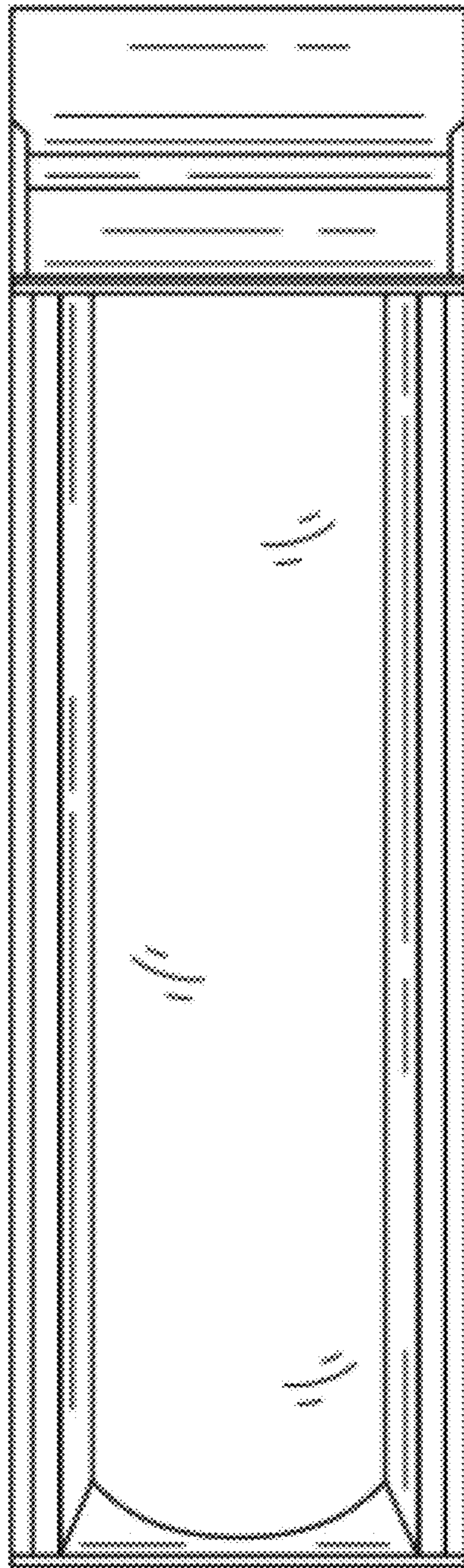


FIG. 8