



US00D667156S

(12) **United States Design Patent**
Pickard et al.

(10) **Patent No.:** **US D667,156 S**
(45) **Date of Patent:** **** Sep. 11, 2012**

(54) **TROFFER-STYLE LIGHTING FIXTURE**
(75) Inventors: **Paul Kenneth Pickard**, Morrisville, NC (US); **Mark D. Edmond**, Raleigh, NC (US); **Dong Lu**, Cary, NC (US); **Gerald Negley**, Durham, NC (US); **Nick Nguyen**, Durham, NC (US); **Patrick John O'Flaherty**, Morrisville, NC (US); **Gary David Trott**, Morrisville, NC (US)

(73) Assignee: **Cree, Inc.**, Durham, NC (US)

(**) Term: **14 Years**

(21) Appl. No.: **29/387,170**

(22) Filed: **Mar. 9, 2011**

(51) **LOC (9) Cl.** **26-05**

(52) **U.S. Cl.** **D26/74**

(58) **Field of Classification Search** D26/72, D26/74, 75, 76, 77, 78, 79, 80, 81, 82, 83, D26/84, 85, 88, 89, 90, 122; 362/145, 146, 362/147, 148, 150, 151, 152, 153, 153.1, 362/217.01, 217.02, 217.05, 217.06, 217.07, 362/217.08, 217.09, 217.1, 217.11, 249.02, 362/260, 296.07, 311.02

See application file for complete search history.

(56) **References Cited**

U.S. PATENT DOCUMENTS

5,823,663	A	10/1998	Bell et al.	362/362
D407,473	S *	3/1999	Wimbock	D23/328
6,210,025	B1	4/2001	Schmidt et al.	362/362
6,523,974	B2 *	2/2003	Engel	362/224
D496,121	S *	9/2004	Santoro	D26/74
7,049,761	B2	5/2006	Timmermans et al.	315/246
7,213,940	B1	5/2007	Van de Ven et al.	362/231
D556,358	S *	11/2007	Santoro	D26/74
7,510,299	B2	3/2009	Timmermans et al.	362/225
D597,241	S *	7/2009	Fabbri et al.	D26/74

D602,625	S *	10/2009	Santoro	D26/76
D608,929	S *	1/2010	Castelli	D26/76
D608,932	S *	1/2010	Castelli	D26/76
D608,933	S *	1/2010	Castelli	D26/76
7,712,918	B2	5/2010	Siemiet et al.	362/241
7,722,220	B2	5/2010	Van de Ven	362/294
7,768,192	B2	8/2010	Van de Ven et al.	313/503
D626,268	S *	10/2010	Santoro	D26/76
7,815,338	B2	10/2010	Siemiet et al.	362/218
D633,247	S *	2/2011	Kong et al.	D26/88
D653,376	S *	1/2012	Kong et al.	D26/76
8,092,049	B2	1/2012	Kinnune et al.	362/294
2004/0001344	A1	1/2004	Hecht	
2007/0115670	A1	5/2007	Roberts et al.	

(Continued)

FOREIGN PATENT DOCUMENTS

EP 1298383 A2 4/2003

(Continued)

Primary Examiner — Angela J Lee

(74) *Attorney, Agent, or Firm* — Koppel, Patrick, Heybl & Philpott

(57) **CLAIM**

The ornamental design for a troffer-style lighting fixture, as shown and described.

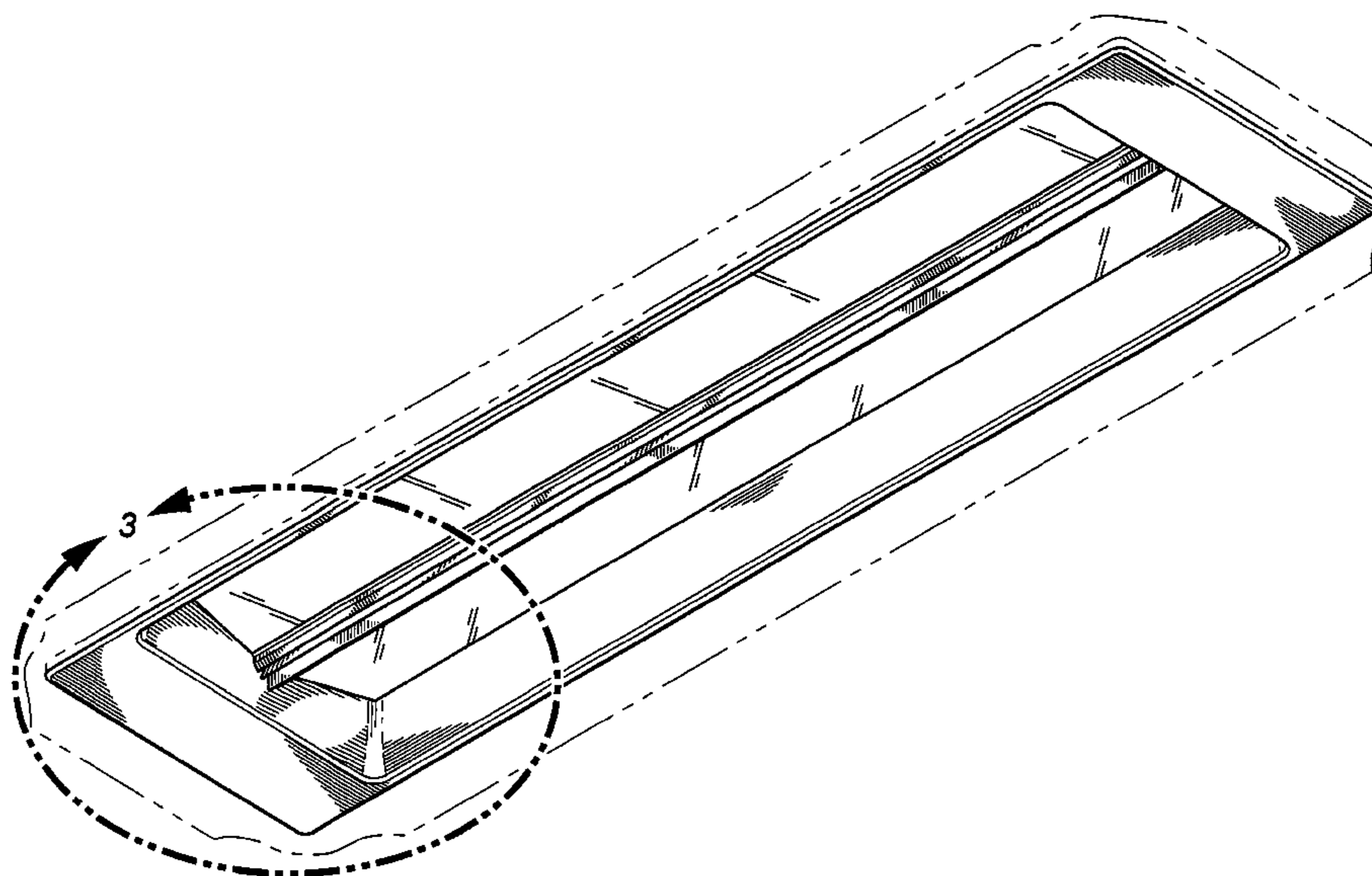
DESCRIPTION

FIG. 1 is a perspective view from the bottom side of a troffer-style lighting fixture according to an embodiment of the present invention.

FIG. 2 is a bottom plan view of a troffer-style lighting fixture according to an embodiment of the present invention; and, FIG. 3 is an enlarged view of a portion of a troffer-style lighting fixture according to an embodiment of the present invention.

The broken lines shown in FIGS. 1-3 depict environmental subject matter only and form no part of the claimed design.

1 Claim, 3 Drawing Sheets



US D667,156 S

Page 2

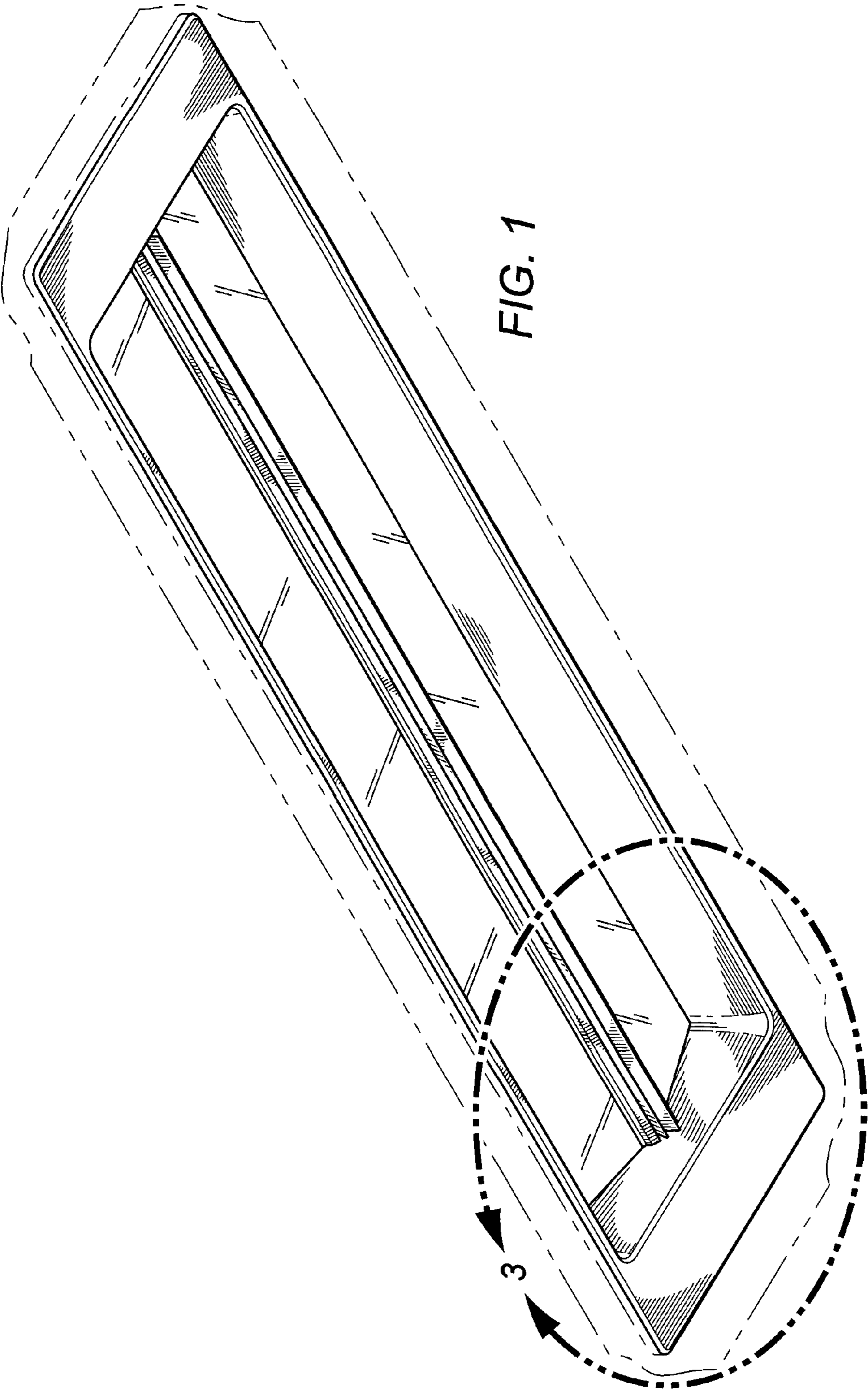
U.S. PATENT DOCUMENTS

2007/0115671 A1 5/2007 Roberts et al.
2007/0211457 A1* 9/2007 Mayfield et al. 362/223
2009/0323334 A1 12/2009 Roberts et al.
2011/0199005 A1 8/2011 Bretschneider et al.
2011/0199769 A1 8/2011 Bretschneider et al.

FOREIGN PATENT DOCUMENTS

EP 1847762 A2 10/2007
WO WO 2011140353 A2 11/2011

* cited by examiner



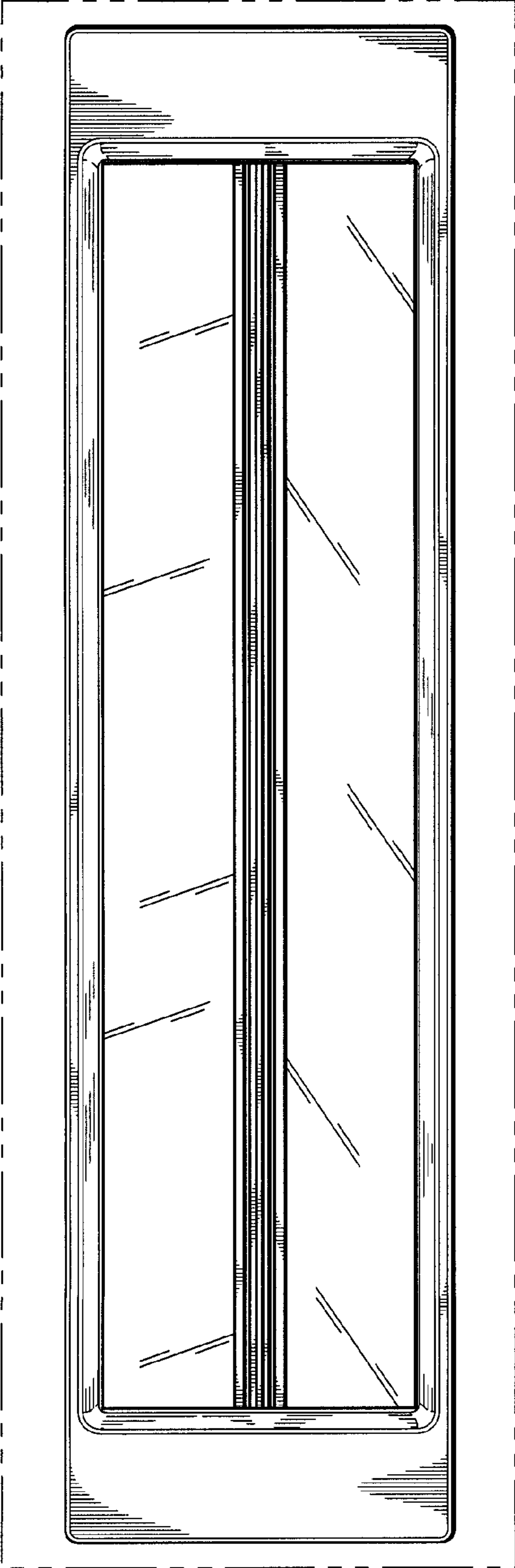


FIG. 2

FIG. 3

