



US00D667155S

(12) **United States Design Patent**
Rashidi

(10) **Patent No.:** **US D667,155 S**

(45) **Date of Patent:** **** Sep. 11, 2012**

(54) **LED RETROFIT RECESSED LIGHT**

Primary Examiner — Angela J Lee

(76) **Inventor:** **Hamid Rashidi**, Commerce, CA (US)

(74) *Attorney, Agent, or Firm* — Thomas I. Rozsa

(**) **Term:** **14 Years**

(21) **Appl. No.:** **29/349,044**

(57) **CLAIM**

The ornamental design for LED retrofit recessed light, as shown and described.

(22) **Filed:** **Mar. 2, 2010**

(51) **LOC (9) Cl.** **26-05**

(52) **U.S. Cl.** **D26/74**

(58) **Field of Classification Search** D26/24,
D26/72, 74, 80, 81, 83, 85, 88, 61, 63, 118;
362/576, 89, 145, 147, 148, 150, 151, 152,
362/153, 153.1, 294, 296.01, 311.02, 311.07,
362/364, 365, 366, 373

See application file for complete search history.

DESCRIPTION

FIG. 1 is a perspective view of the LED retrofit recessed light, showing my design, the broken lines illustrating portions of the LED retrofit recessed light and forming no part of the claimed design;

FIG. 2 is a front elevational view thereof, the broken lines illustrating portions of the LED retrofit recessed light and forming no part of the claimed design;

FIG. 3 is a rear elevational view thereof, the broken lines illustrating portions of the LED retrofit recessed light and forming no part of the claimed design;

FIG. 4 is a left side elevational view thereof, the broken lines illustrating portions of the LED retrofit recessed light and forming no part of the claimed design;

FIG. 5 is a right side elevational view thereof, the broken lines illustrating portions of the LED retrofit recessed light and forming no part of the claimed design; and,

FIG. 6 is a top plan view thereof.

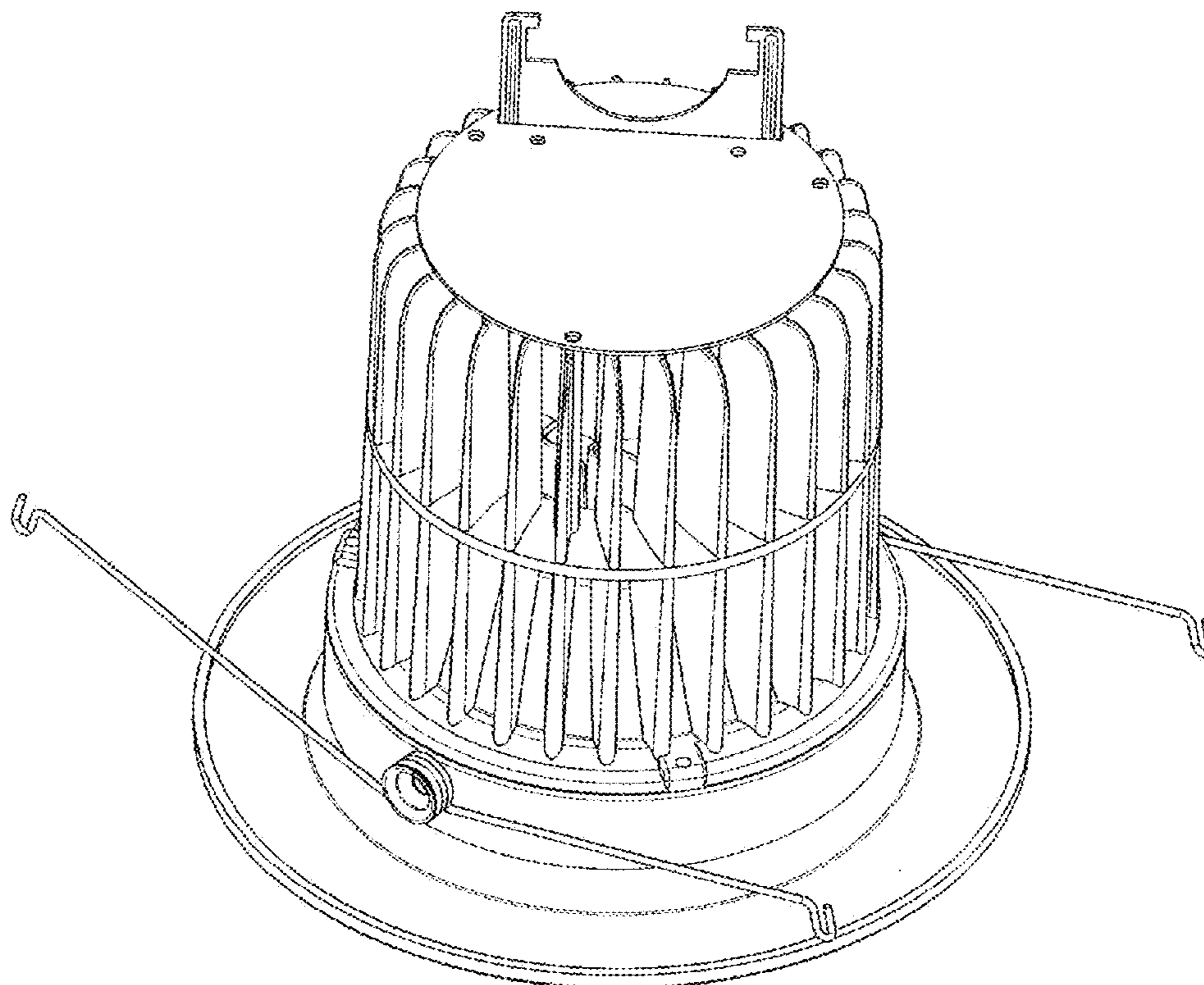
(56) **References Cited**

U.S. PATENT DOCUMENTS

D326,537	S	*	5/1992	Gattari	D26/74
D573,294	S	*	7/2008	Chan et al.	D26/74
D591,894	S	*	5/2009	Flank	D26/74
D595,005	S	*	6/2009	Chou	D26/74
D610,289	S	*	2/2010	Yoshinobu et al.	D26/74
D610,290	S	*	2/2010	Yoshinobu et al.	D26/74
D610,291	S	*	2/2010	Yoshinobu et al.	D26/74
D624,691	S	*	9/2010	Zhang et al.	D26/138
2010/0039829	A1	*	2/2010	Tsai	362/373
2010/0061108	A1	*	3/2010	Zhang et al.	362/364
2010/0195327	A1	*	8/2010	Inoue et al.	362/235

* cited by examiner

1 Claim, 6 Drawing Sheets



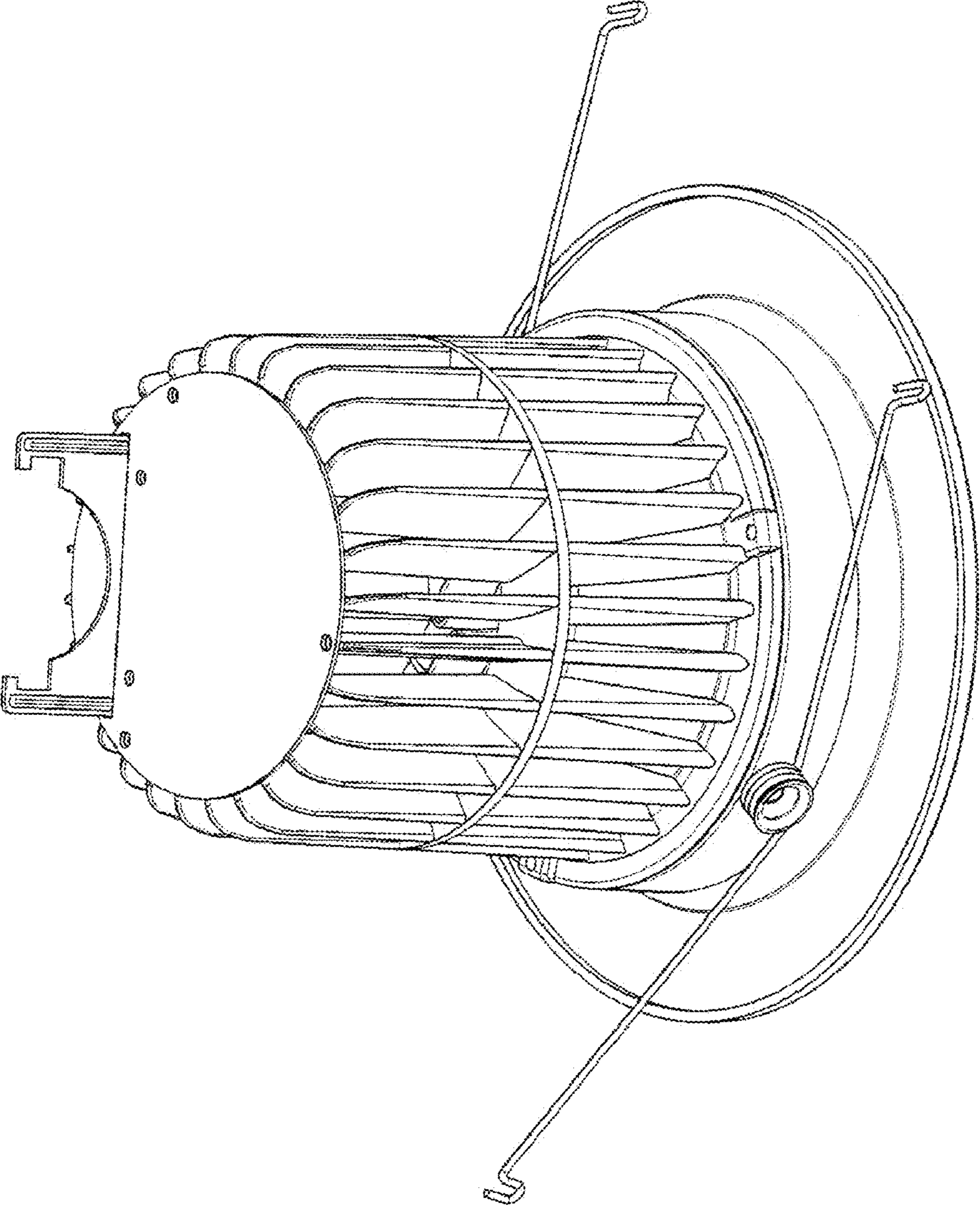


FIG. 1

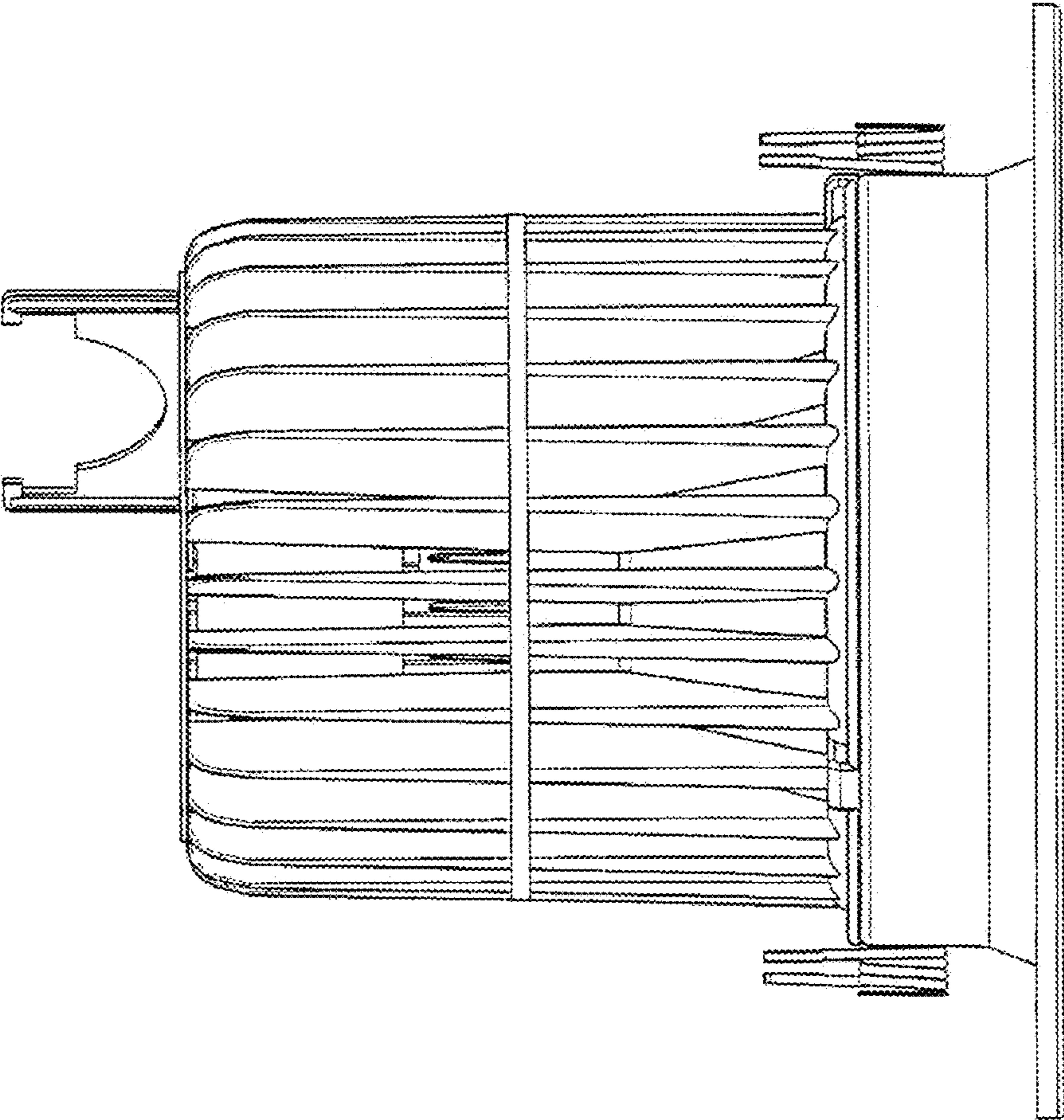


FIG. 2

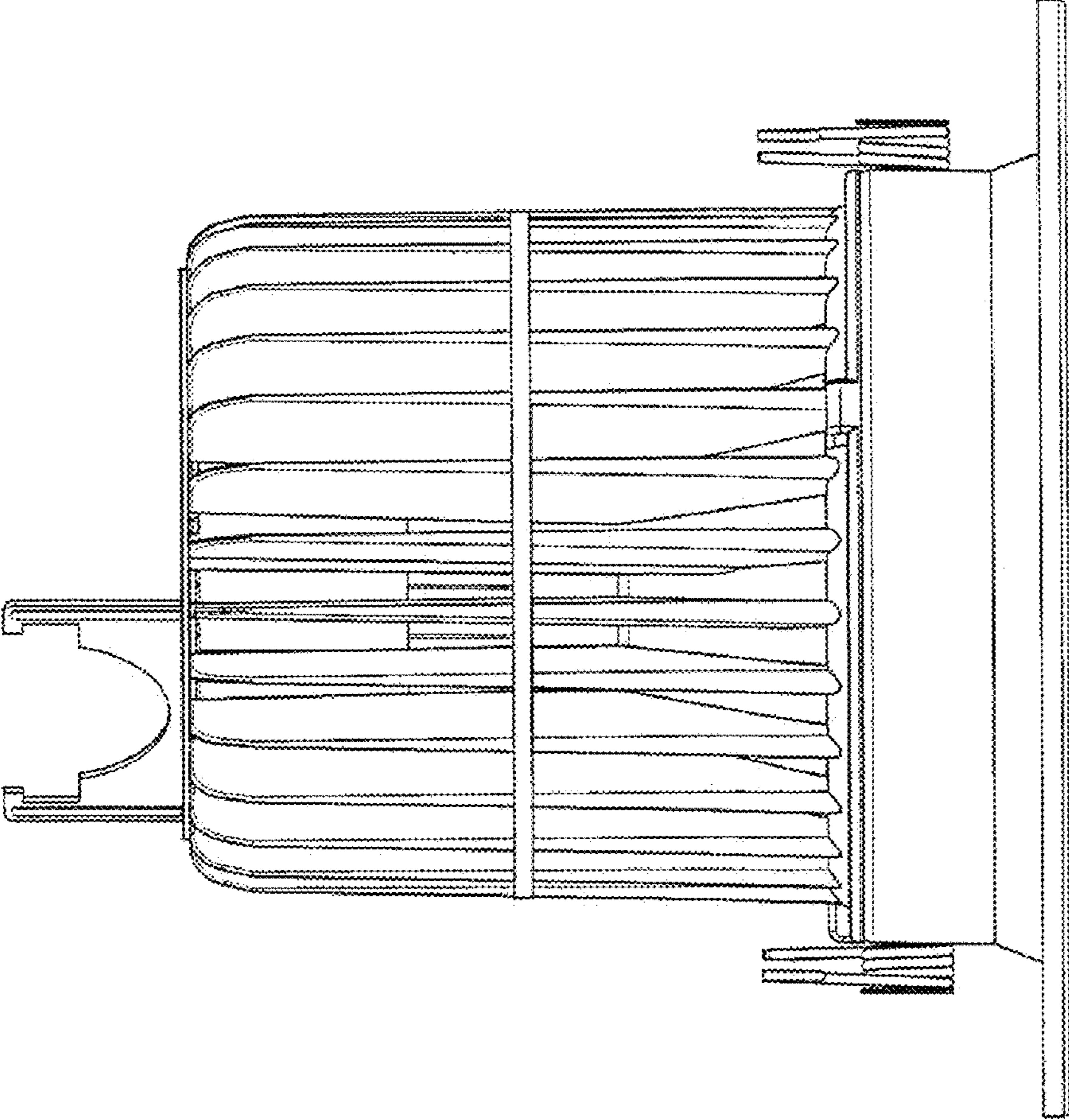


FIG. 3

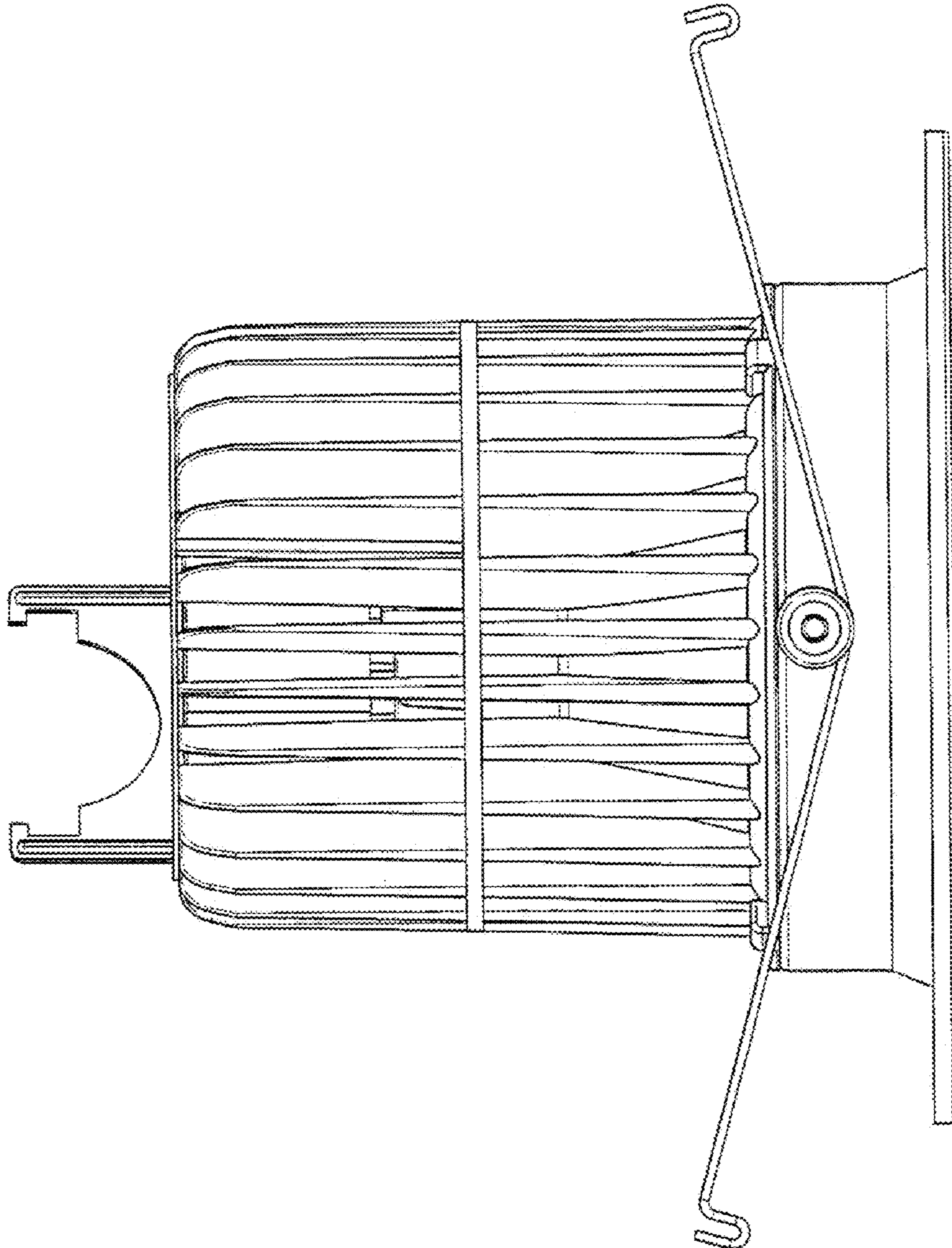


FIG.4

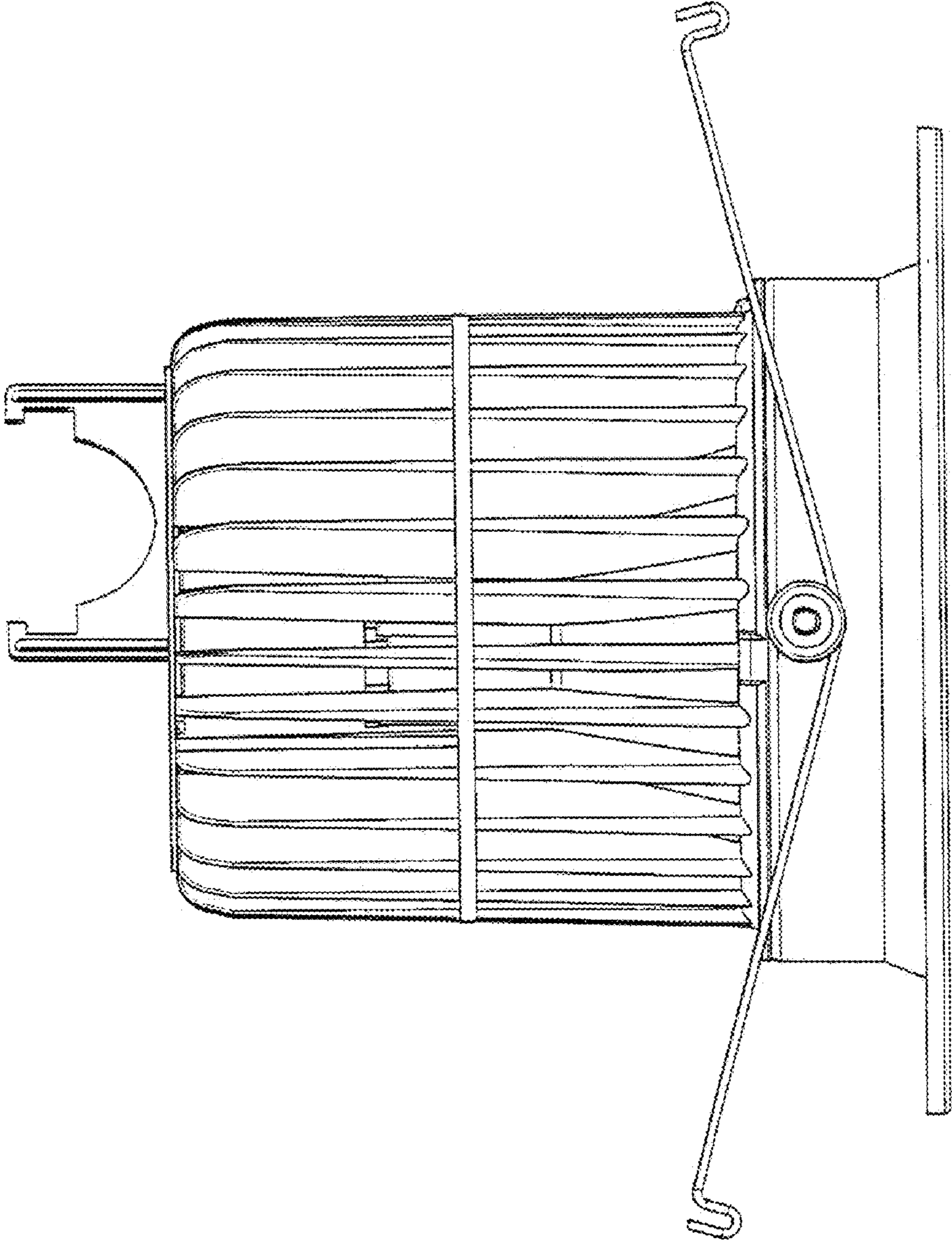


FIG. 5

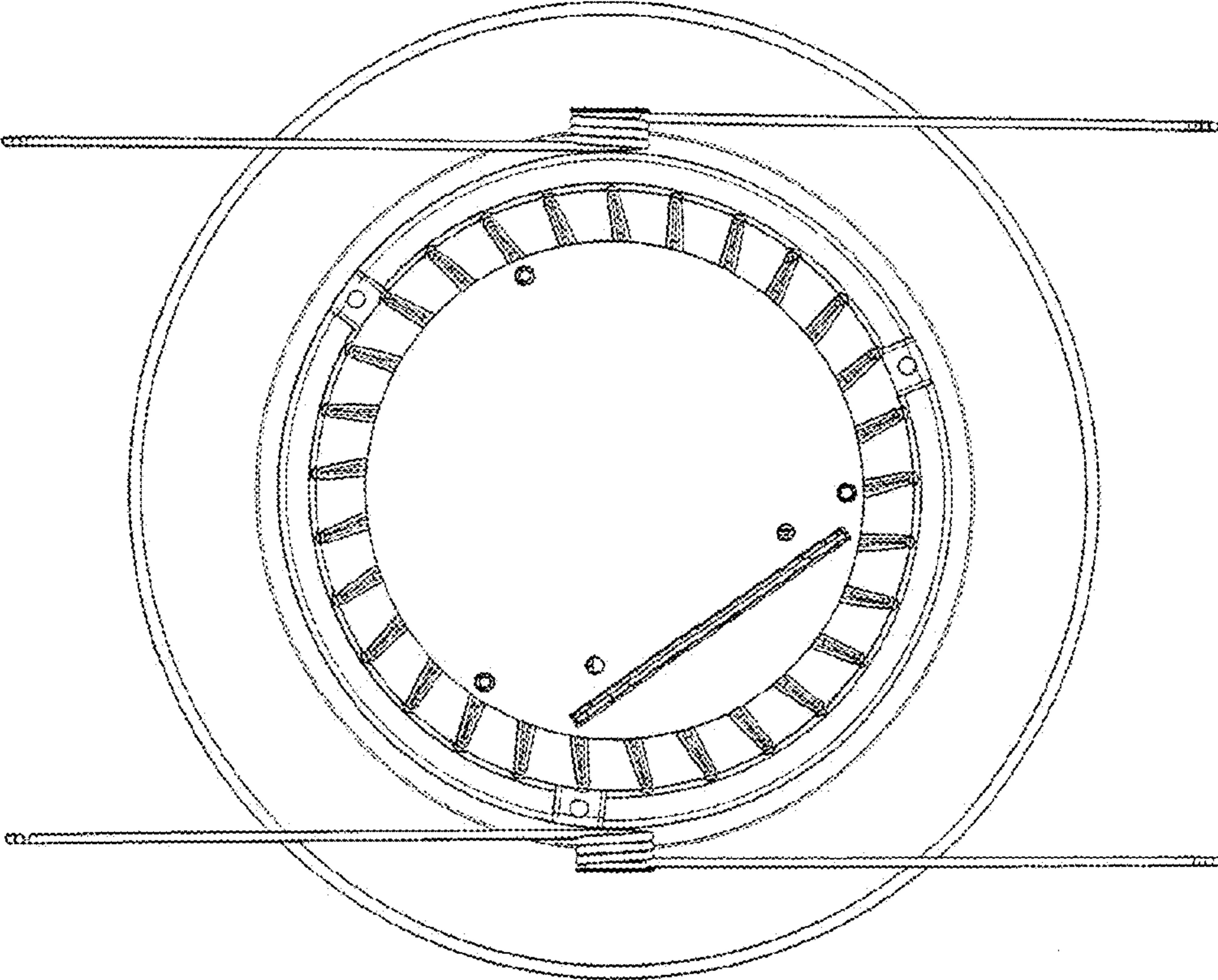


FIG. 6