



US00D667154S

(12) **United States Design Patent**
Tang et al.

(10) **Patent No.:** **US D667,154 S**

(45) **Date of Patent:** **** Sep. 11, 2012**

(54) **TABLE LAMP**

(75) Inventors: **Chiang-Kuo Tang**, New Taipei (TW);
Dao-Cai Zheng, Shenzhen (CN);
Xiao-Ling Yang, Shenzhen (CN)

(73) Assignee: **Hon Hai Precision Industry Co., Ltd.**,
Tu-Cheng, New Taipei (TW)

(**) Term: **14 Years**

(21) Appl. No.: **29/409,562**

(22) Filed: **Dec. 24, 2011**

(51) **LOC (9) Cl.** **26-05**

(52) **U.S. Cl.** **D26/65**

(58) **Field of Classification Search** D26/60-66,
D26/93, 51; 362/410-414, 157, 197, 198,
362/269-271, 274, 277, 278, 280, 282, 283,
362/284, 285, 287, 288, 253, 401, 418, 419,
362/427, 449, 450, 319

See application file for complete search history.

(56) **References Cited**

U.S. PATENT DOCUMENTS

D428,179 S *	7/2000	Huang	D26/65
D580,578 S *	11/2008	Chien	D26/63
D590,532 S *	4/2009	Levine	D26/60
D623,334 S *	9/2010	Huang	D26/65
D627,501 S *	11/2010	Lin et al.	D26/65
D641,916 S *	7/2011	Witsch	D26/93

* cited by examiner

Primary Examiner — Susan M Lee

Assistant Examiner — Linda G. Brooks

(74) *Attorney, Agent, or Firm* — Altis Law Group, Inc.

(57) **CLAIM**

The ornamental design for a table lamp, as shown and described.

DESCRIPTION

FIG. 1 is a perspective view of a table lamp showing our new design;

FIG. 2 is a front elevational view thereof;

FIG. 3 is a rear elevational view thereof;

FIG. 4 is a left side elevational view thereof;

FIG. 5 is a right side elevational view thereof;

FIG. 6 is a top plan view thereof;

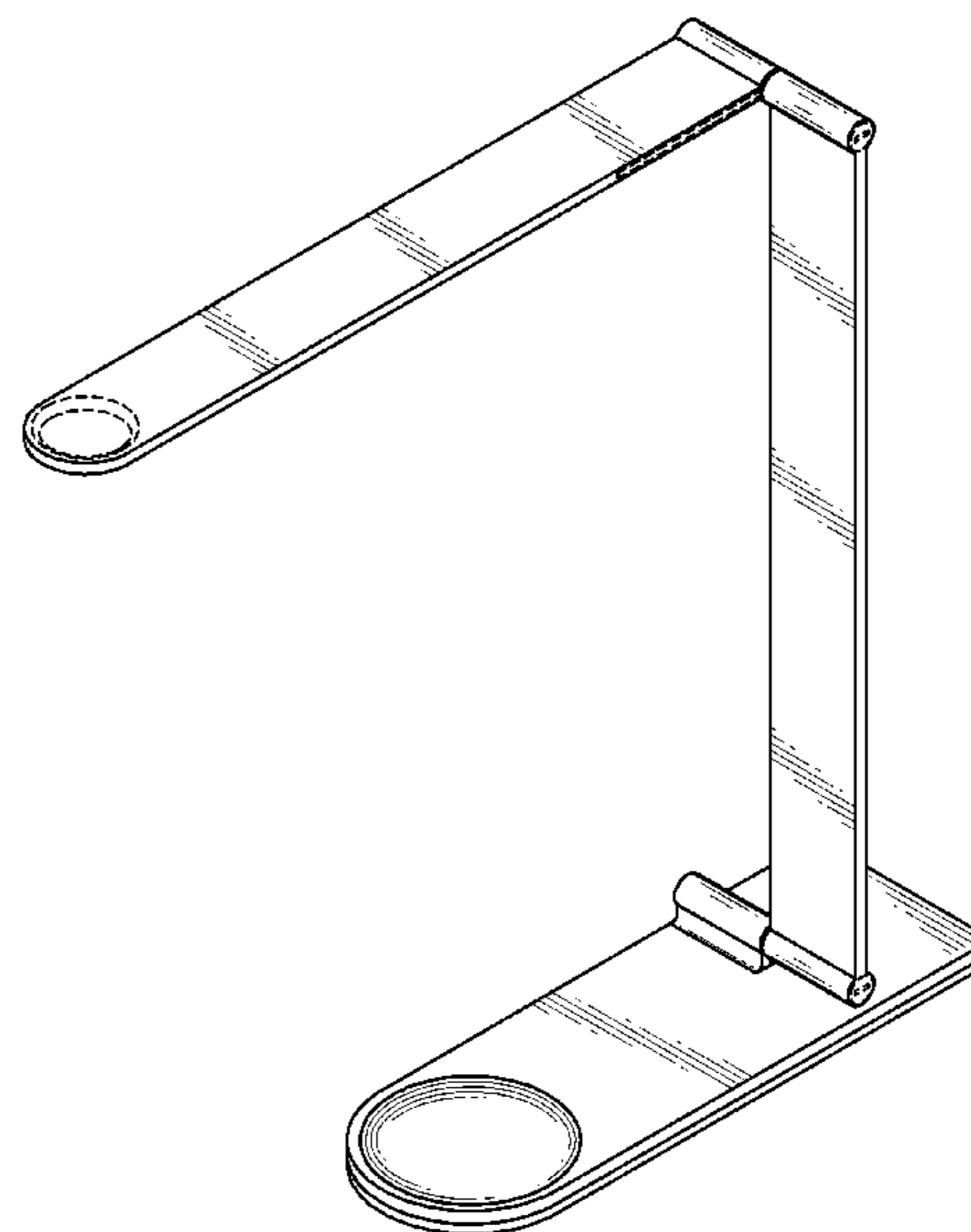
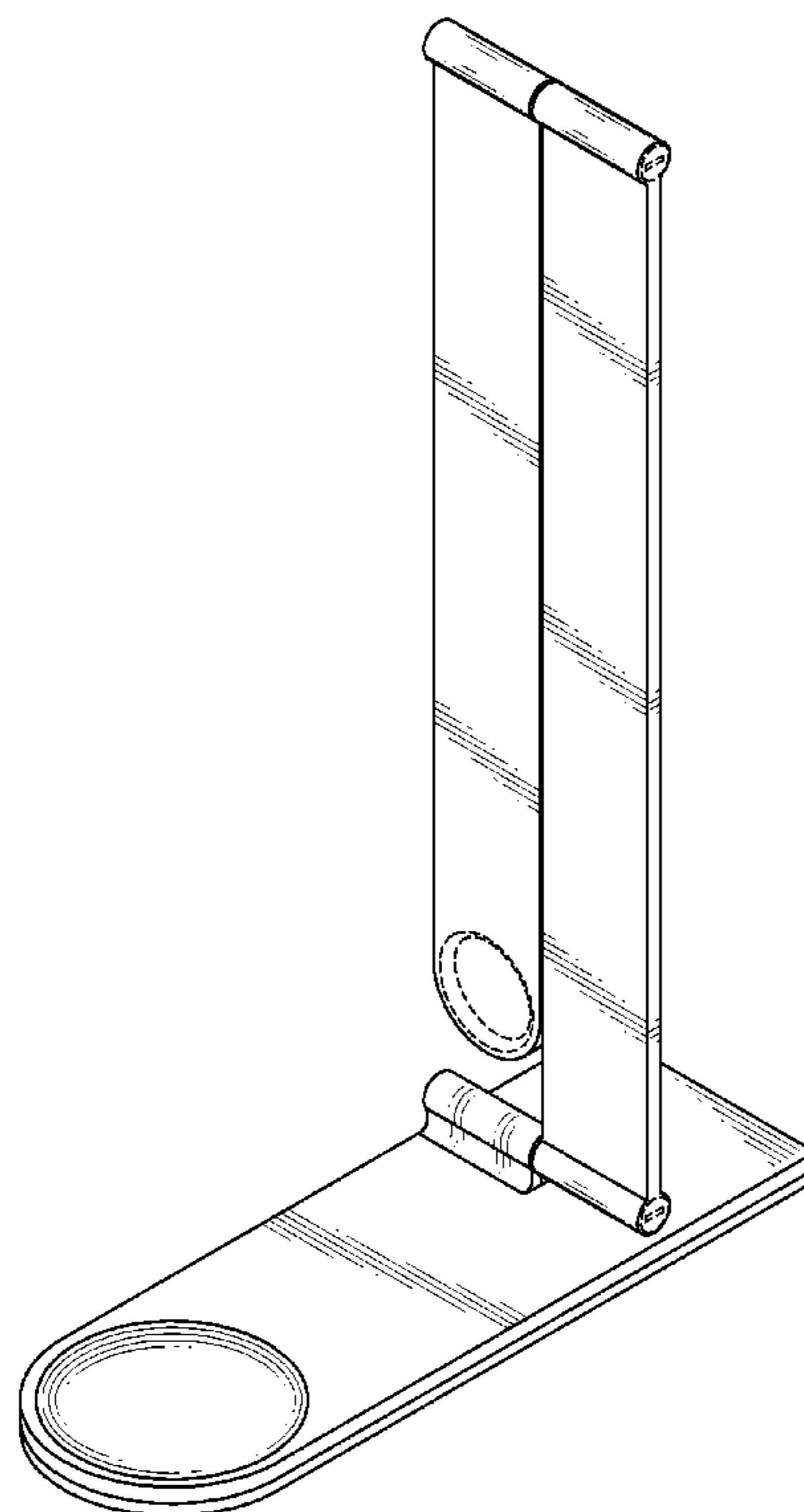
FIG. 7 is a bottom plan view thereof.

FIG. 8 is a perspective view showing the table lamp in a deployed state; and,

FIG. 9 is a perspective view showing the table lamp in a folded state.

The large broken line circles in FIGS. 1, 2, 3, 8, and 9 are boundary lines and form no part of the claimed design. The other broken lines shown in FIGS. 1, 2, 3, 4, 5, 7, 8, and 9 illustrate environmental features and form no part of the claimed design.

1 Claim, 9 Drawing Sheets



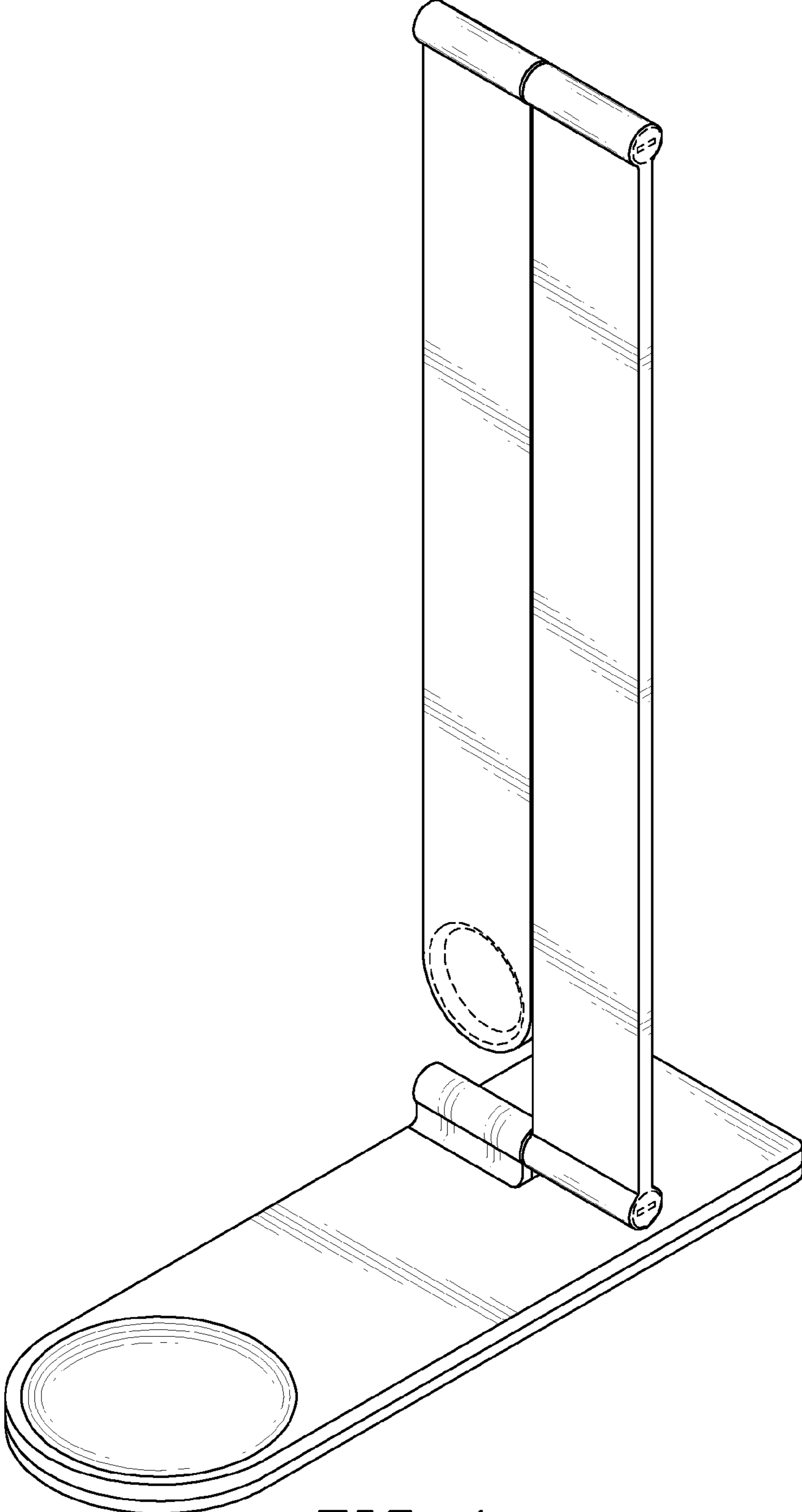


FIG. 1

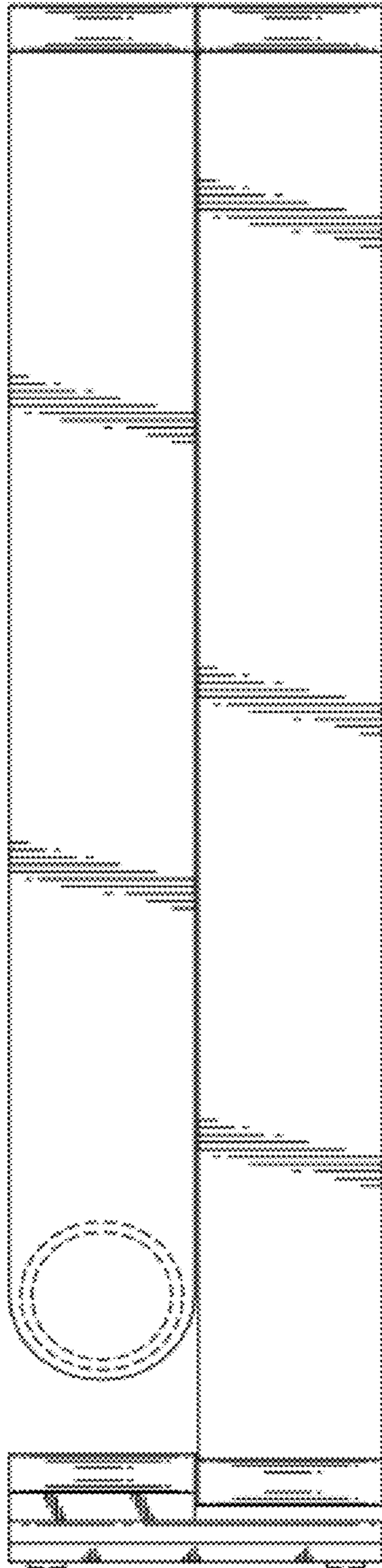


FIG. 2

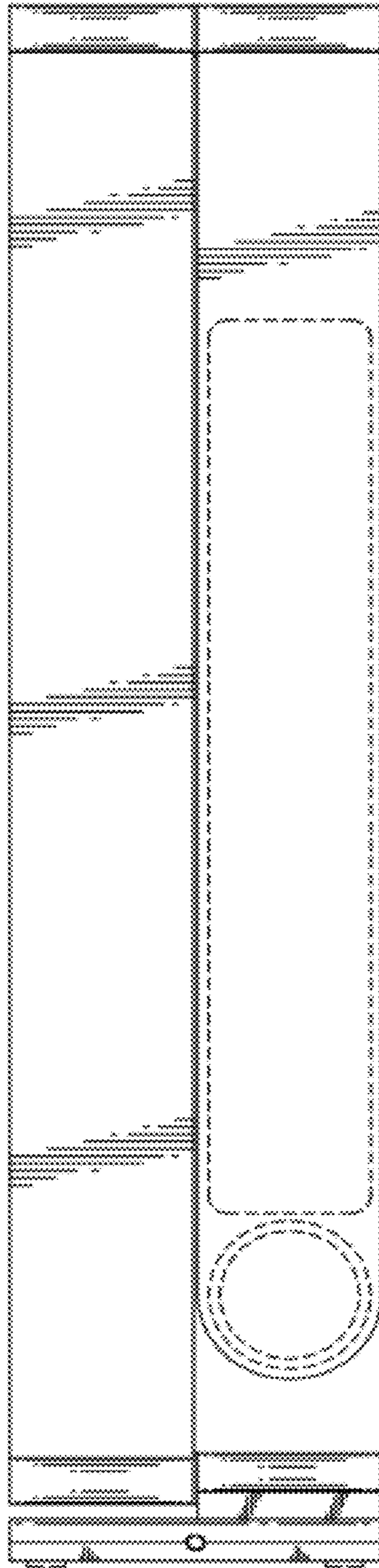


FIG. 3

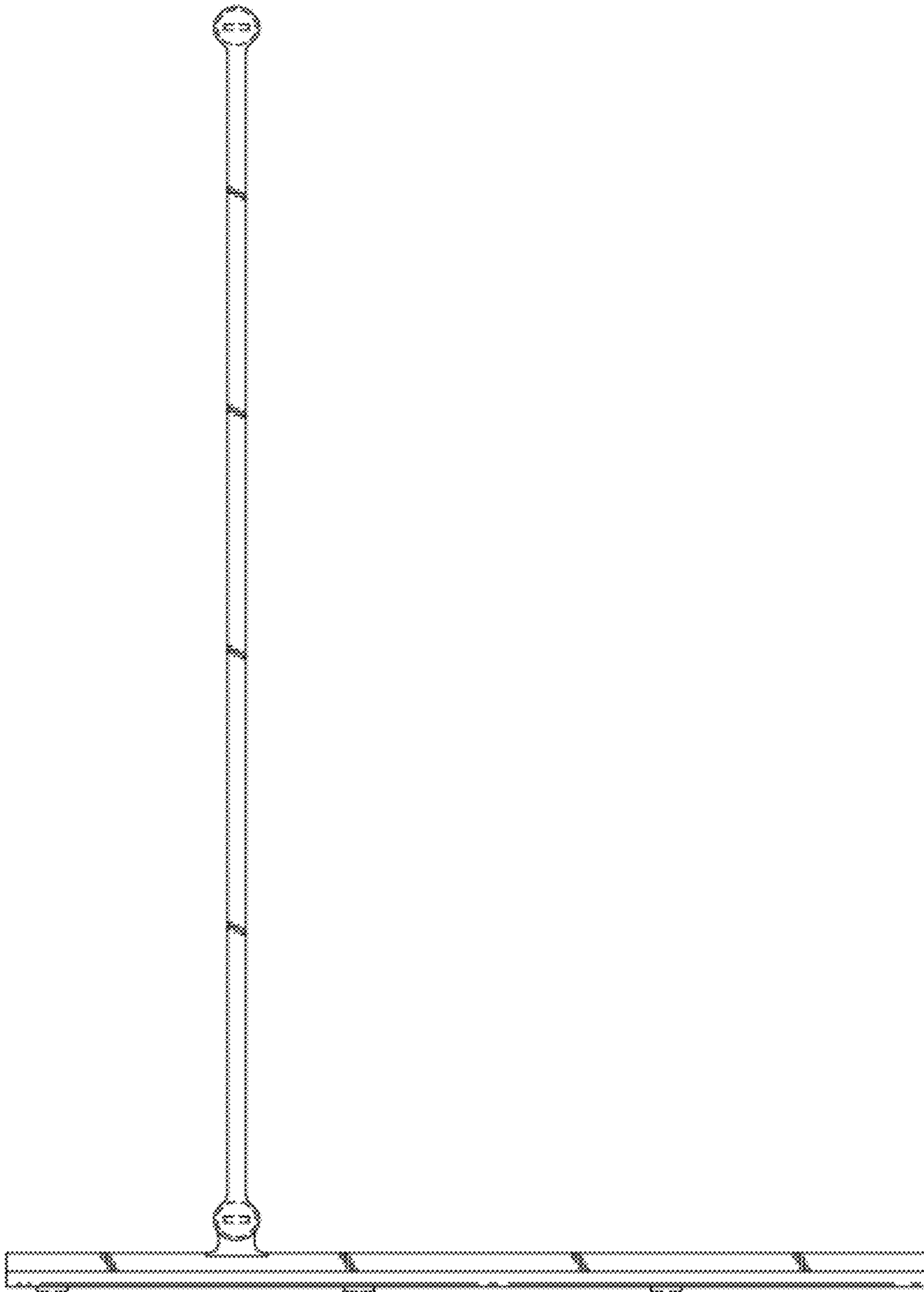


FIG. 4

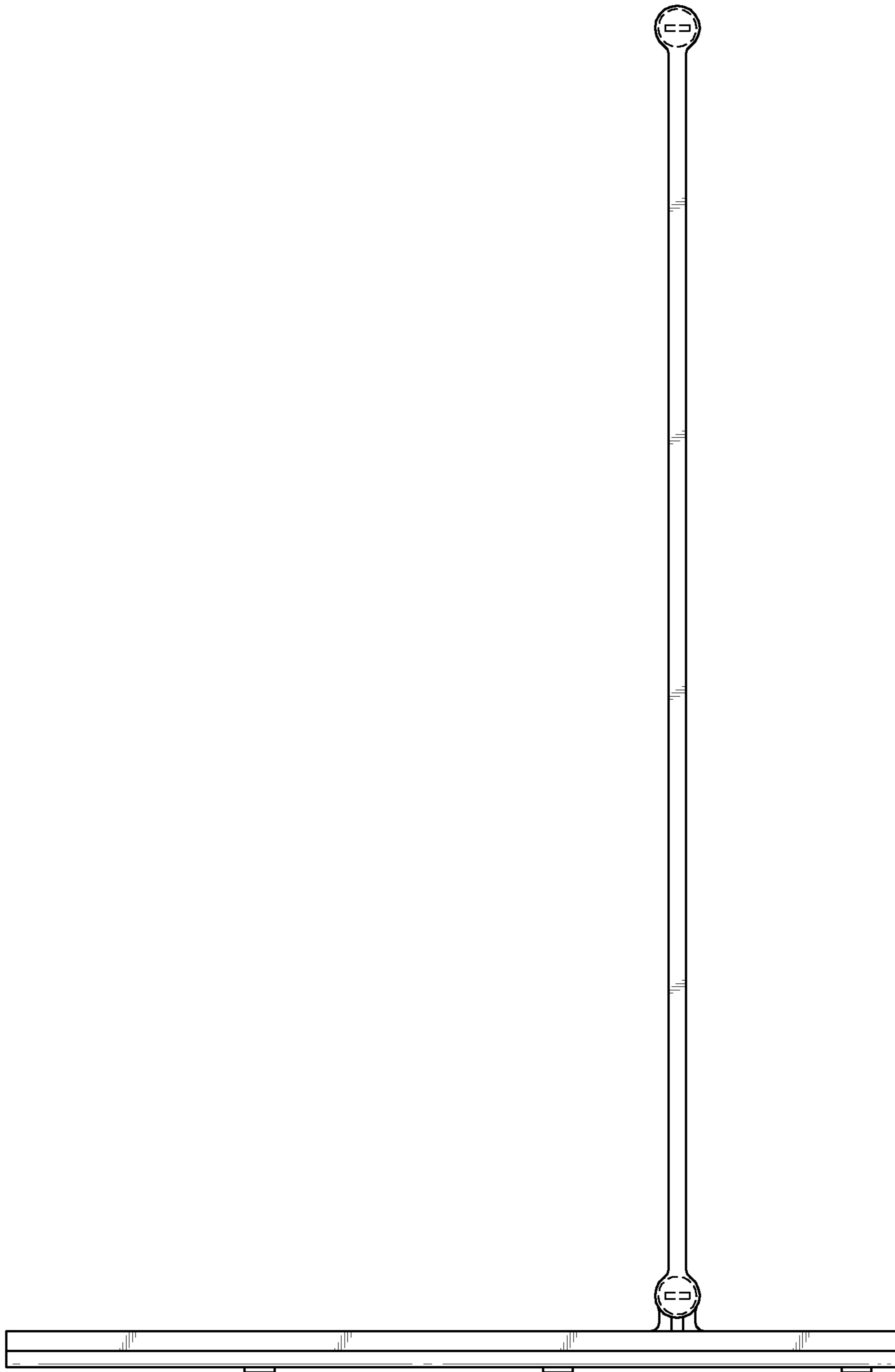


FIG. 5

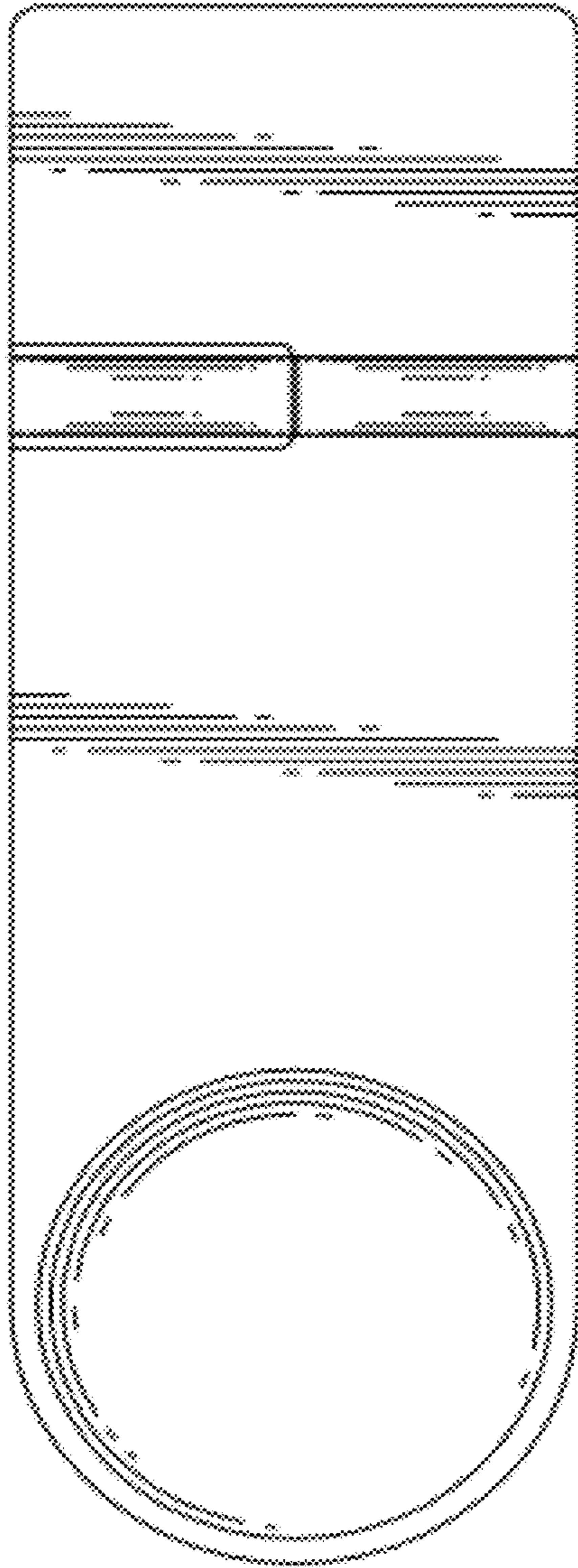


FIG. 6

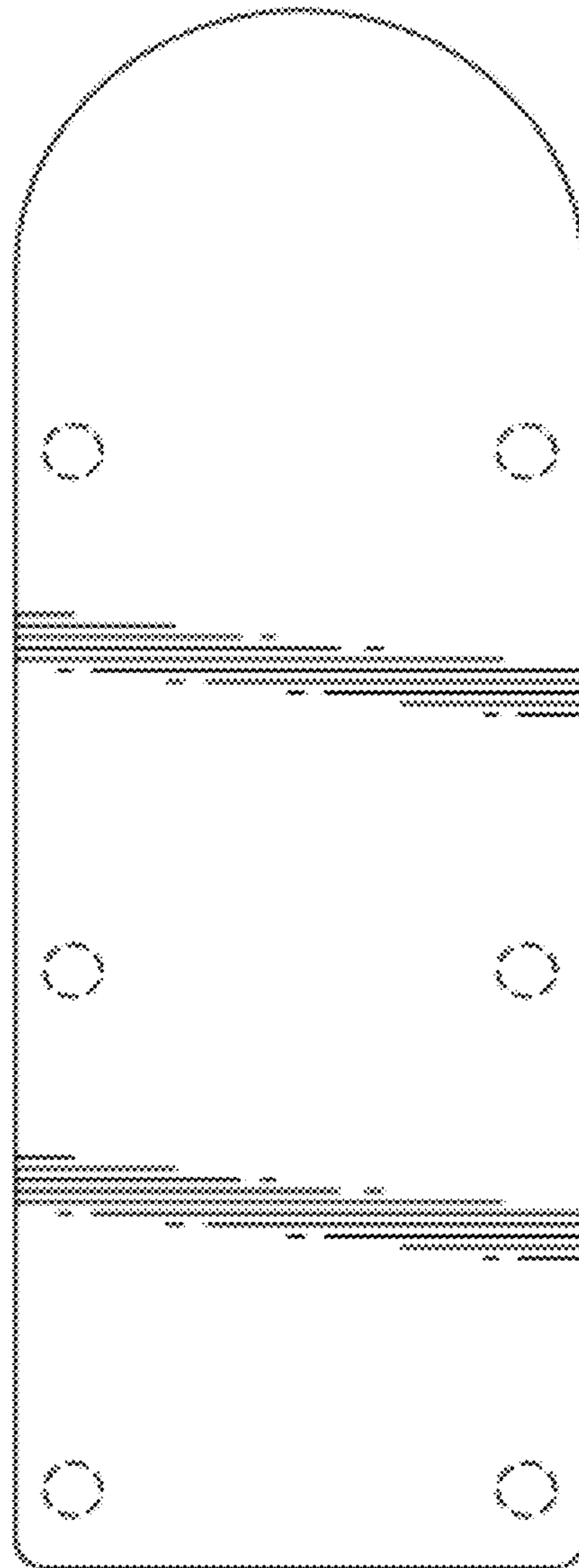


FIG. 7

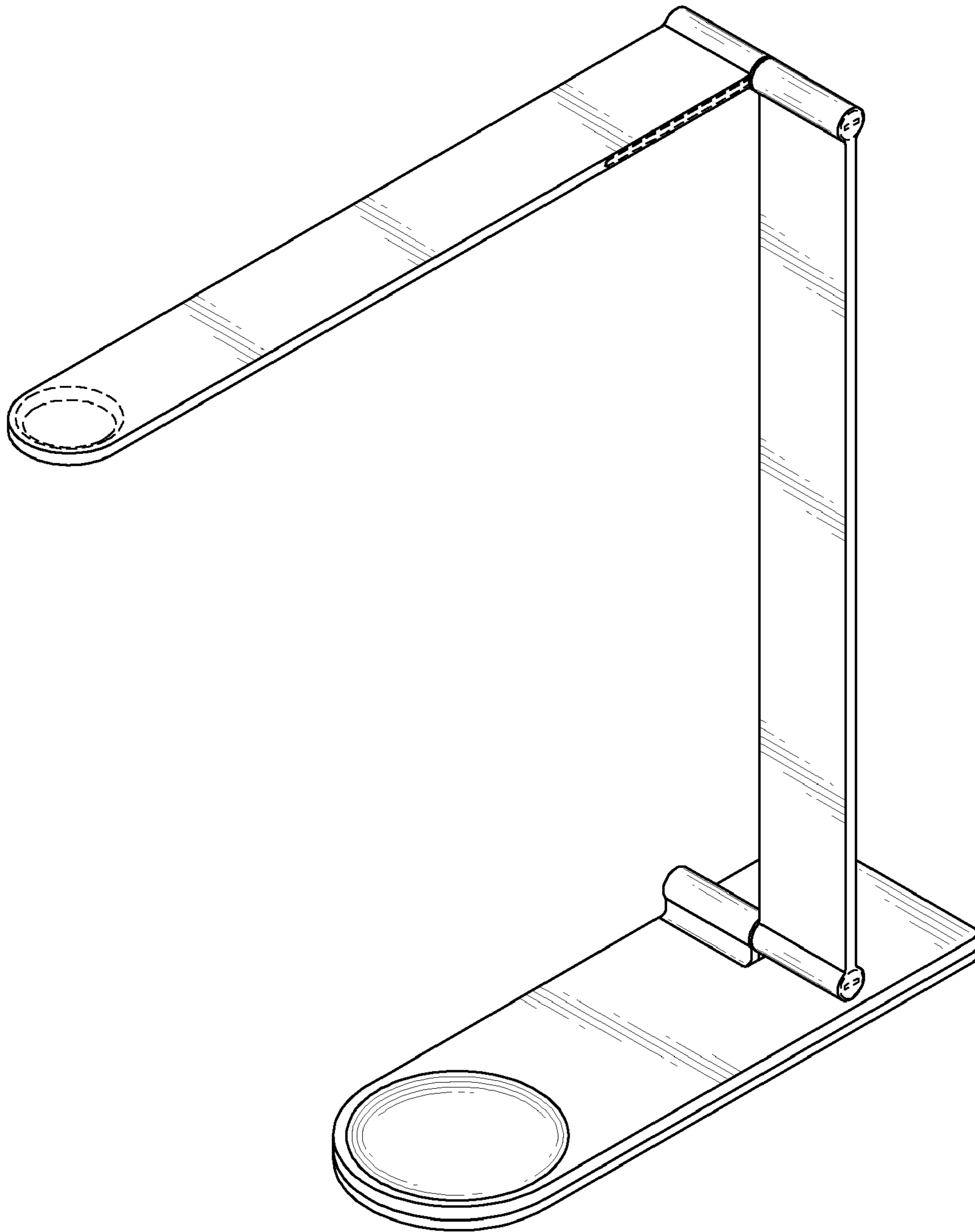


FIG. 8

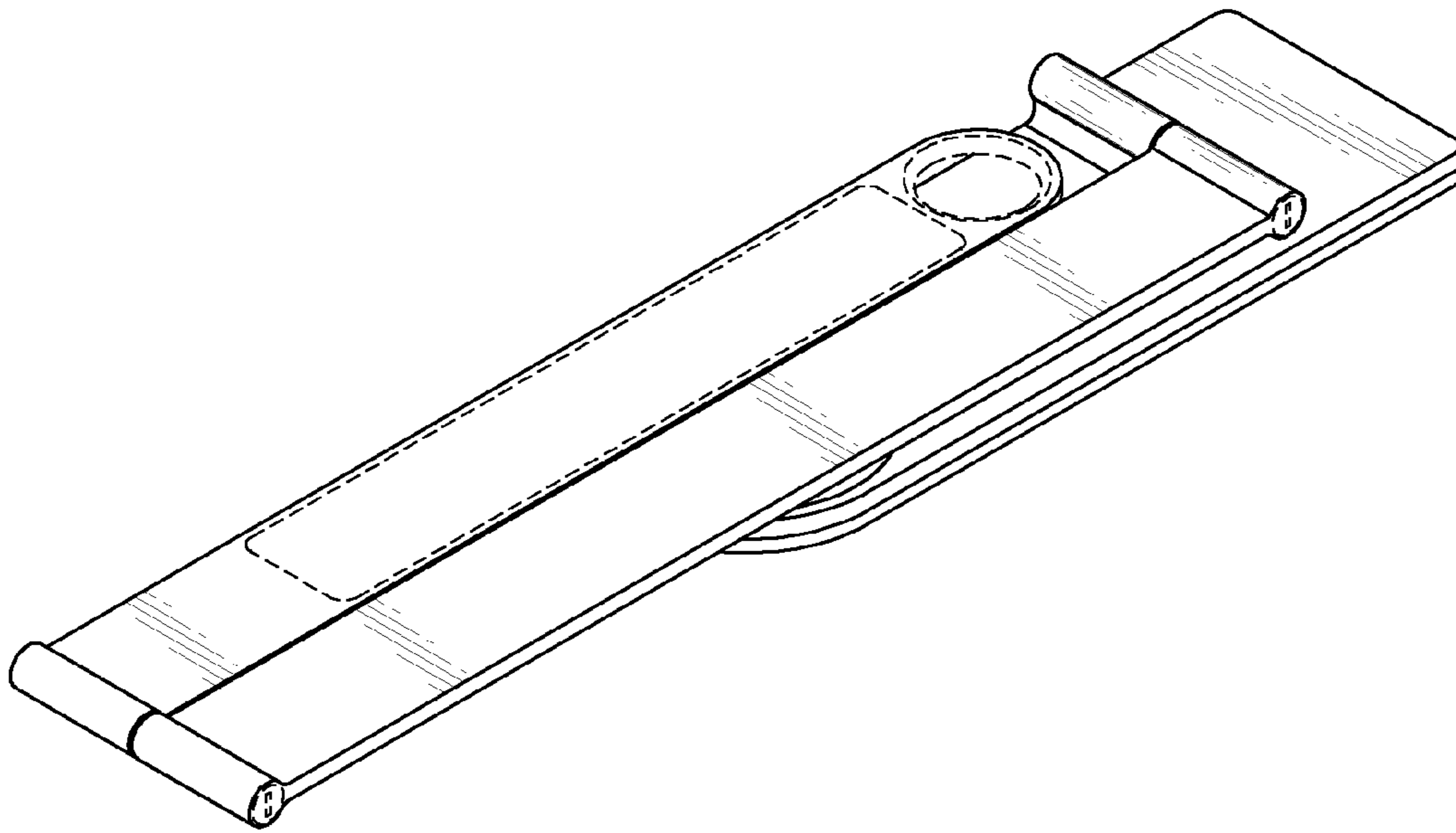


FIG. 9