



US00D667153S

(12) **United States Design Patent**  
**Huet**

(10) **Patent No.:** **US D667,153 S**

(45) **Date of Patent:** **\*\* Sep. 11, 2012**

(54) **HEADLIGHT FOR A VEHICLE**

(75) Inventor: **Nicolas Huet**, Munich (DE)

(73) Assignee: **Bayerische Motoren Werke Aktiengesellschaft**, Munich (DE)

(\*\*) Term: **14 Years**

(21) Appl. No.: **29/404,219**

(22) Filed: **Oct. 18, 2011**

(30) **Foreign Application Priority Data**

Apr. 19, 2011 (DE) ..... 402011002133

(51) **LOC (9) Cl.** ..... **26-06**

(52) **U.S. Cl.** ..... **D26/28**

(58) **Field of Classification Search** ..... D26/28-36;  
362/459-468, 475-478, 485-487

See application file for complete search history.

(56) **References Cited**

**U.S. PATENT DOCUMENTS**

D528,681 S *	9/2006	Nakahara	.....	D26/28
D535,764 S *	1/2007	Yamaguchi	.....	D26/28
D536,810 S *	2/2007	Ishikura	.....	D26/28
D538,956 S *	3/2007	Ishii	.....	D26/28
D544,614 S *	6/2007	Markefka	.....	D26/28
D560,291 S *	1/2008	Koyama	.....	D26/28
D561,358 S *	2/2008	Tachibana	.....	D26/28
D593,691 S	6/2009	Habib		

**FOREIGN PATENT DOCUMENTS**

WO WO DM/069951 10/2008  
WO WO DM/071790 11/2009

\* cited by examiner

*Primary Examiner* — Marcus Jackson

(74) *Attorney, Agent, or Firm* — Crowell & Moring LLP

(57) **CLAIM**

The ornamental design for a headlight for a vehicle, as shown and described.

**DESCRIPTION**

This application contains subject matter related to the following co-pending U.S. design patent application: Application Ser. No. 29/404,218, filed herewith and entitled "Headlight for a Vehicle".

FIG. 1 is a right perspective view of a first embodiment of a headlight for a vehicle according to my design;

FIG. 2 is a left, elevated perspective view thereof;

FIG. 3 is a front view thereof;

FIG. 4 is a right side view thereof; and

FIG. 5 is a top view thereof.

FIG. 6 is a left perspective view of a second embodiment of the headlight for a vehicle according to my design, with the headlight for a vehicle for the opposite side of the vehicle being depicted in the first embodiment;

FIG. 7 is a right, elevated perspective view thereof;

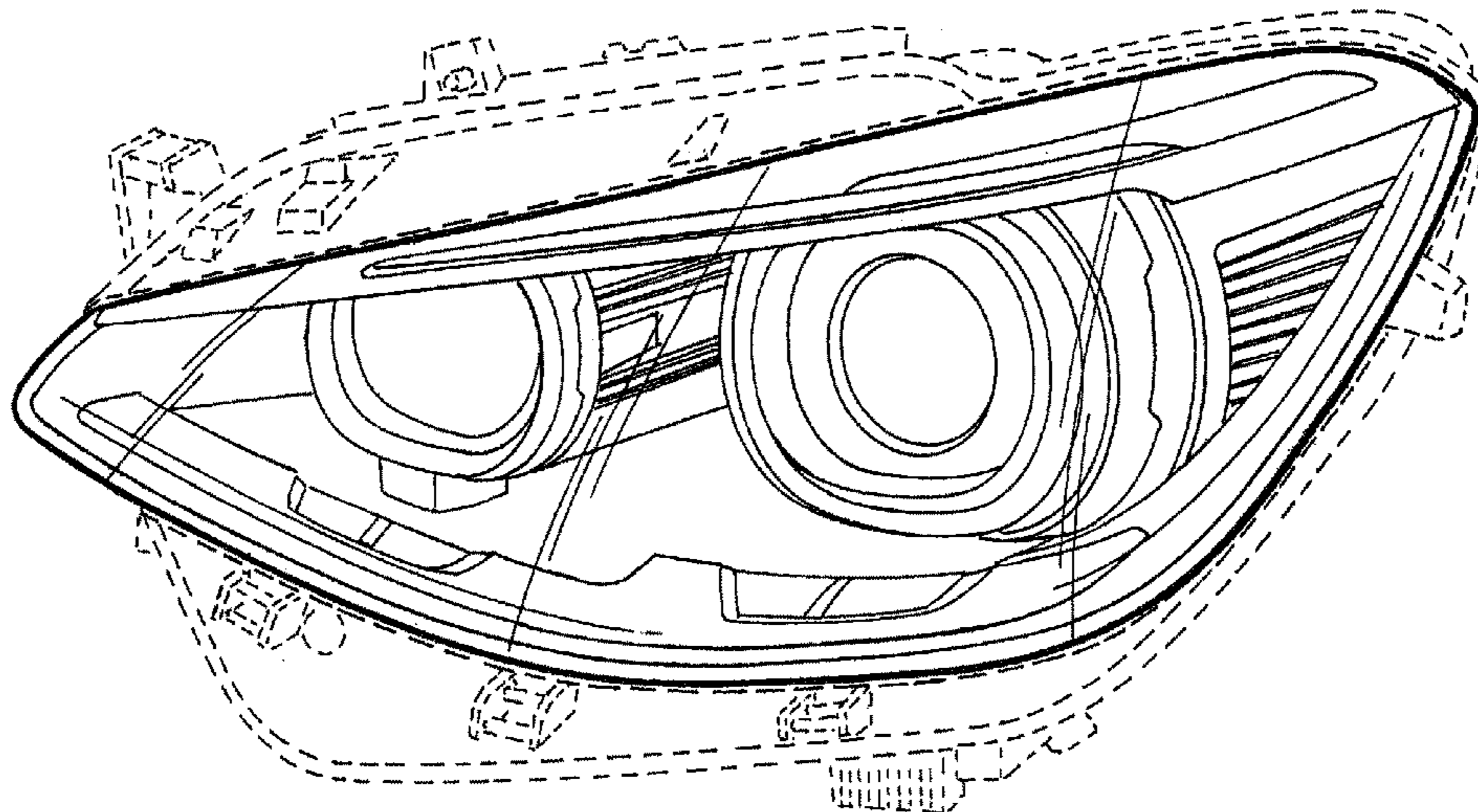
FIG. 8 is a front view thereof;

FIG. 9 is a left side view thereof; and,

FIG. 10 is a top view thereof.

The broken lines are for illustrative purposes only and form no part of the claimed design.

**1 Claim, 6 Drawing Sheets**



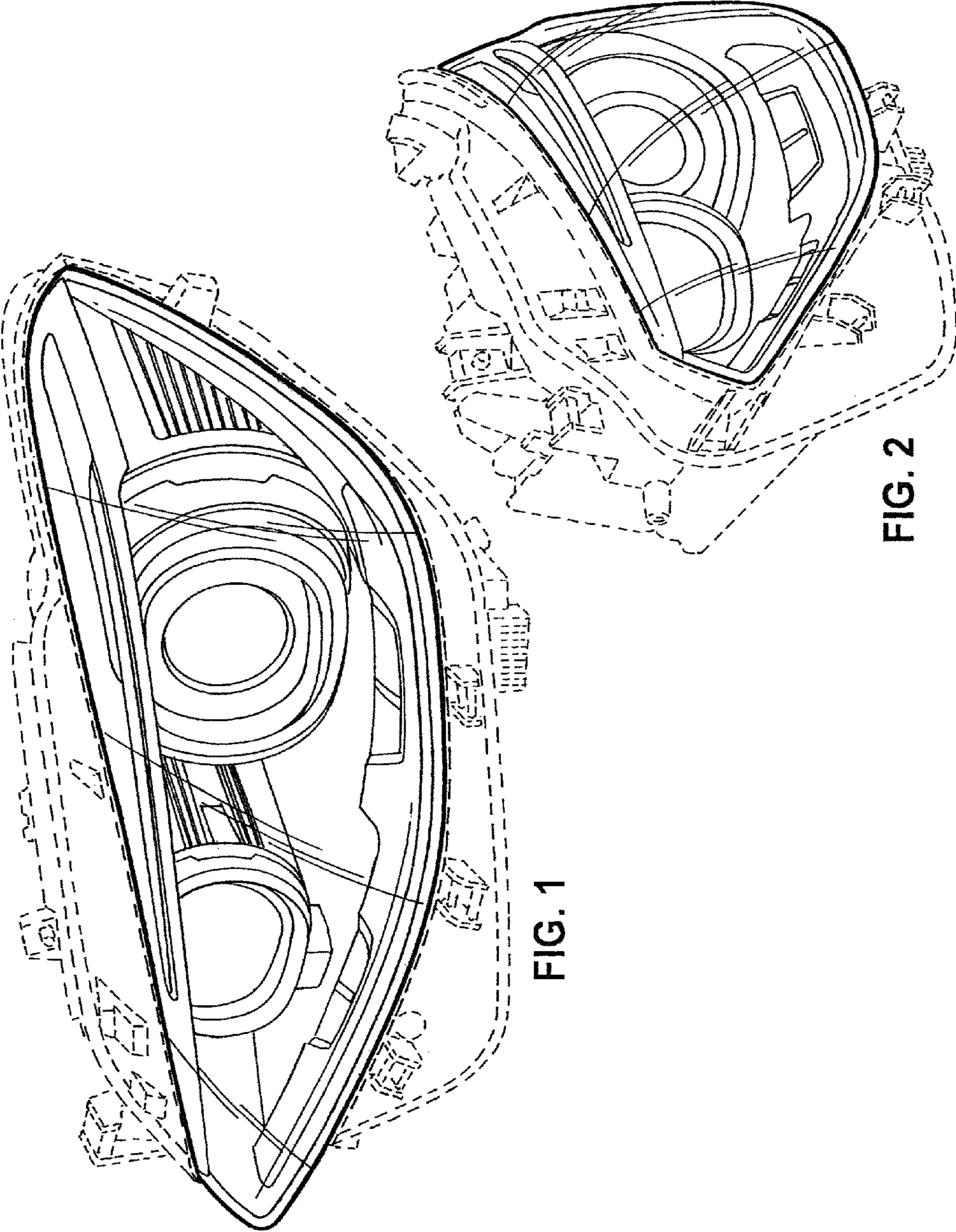


FIG. 1

FIG. 2

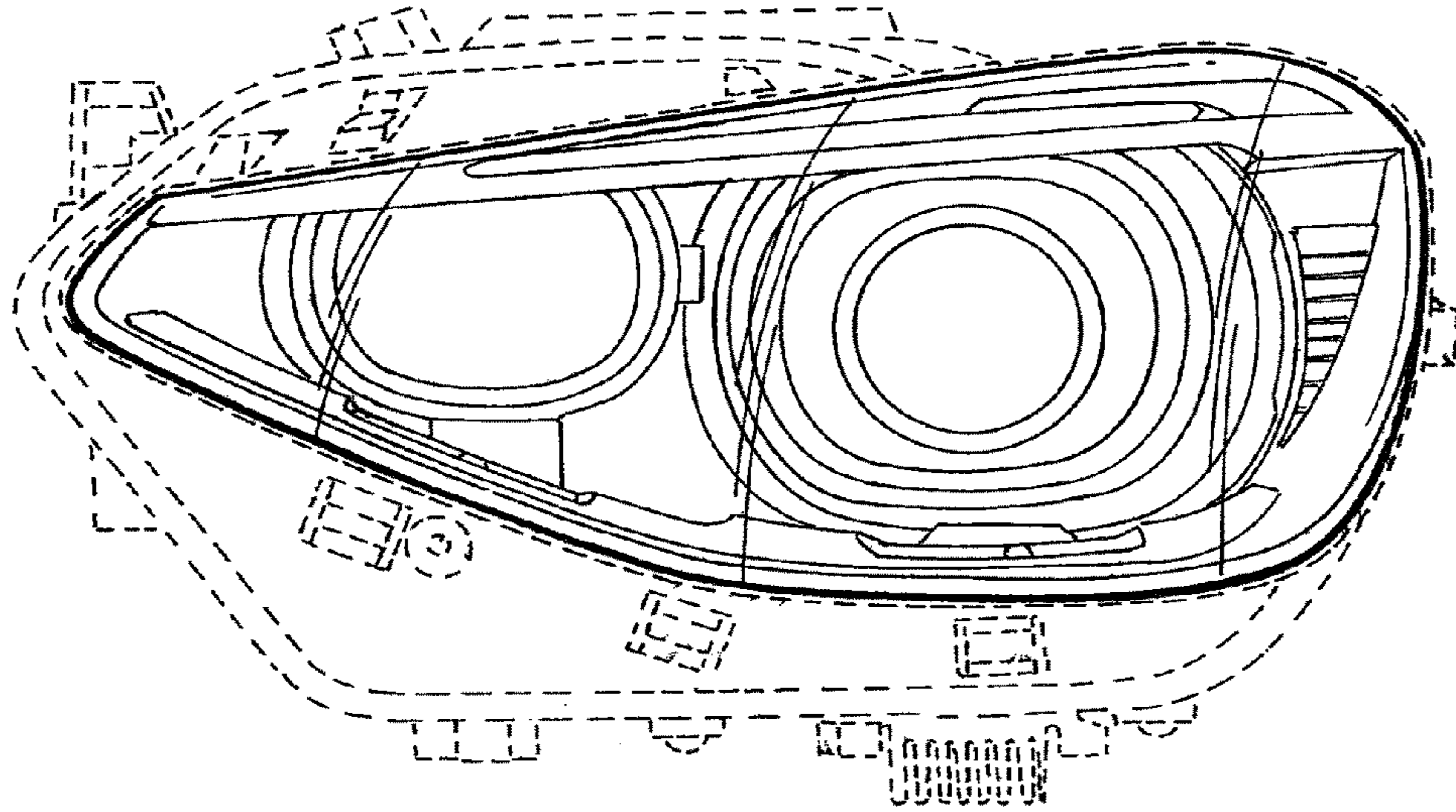


FIG. 3

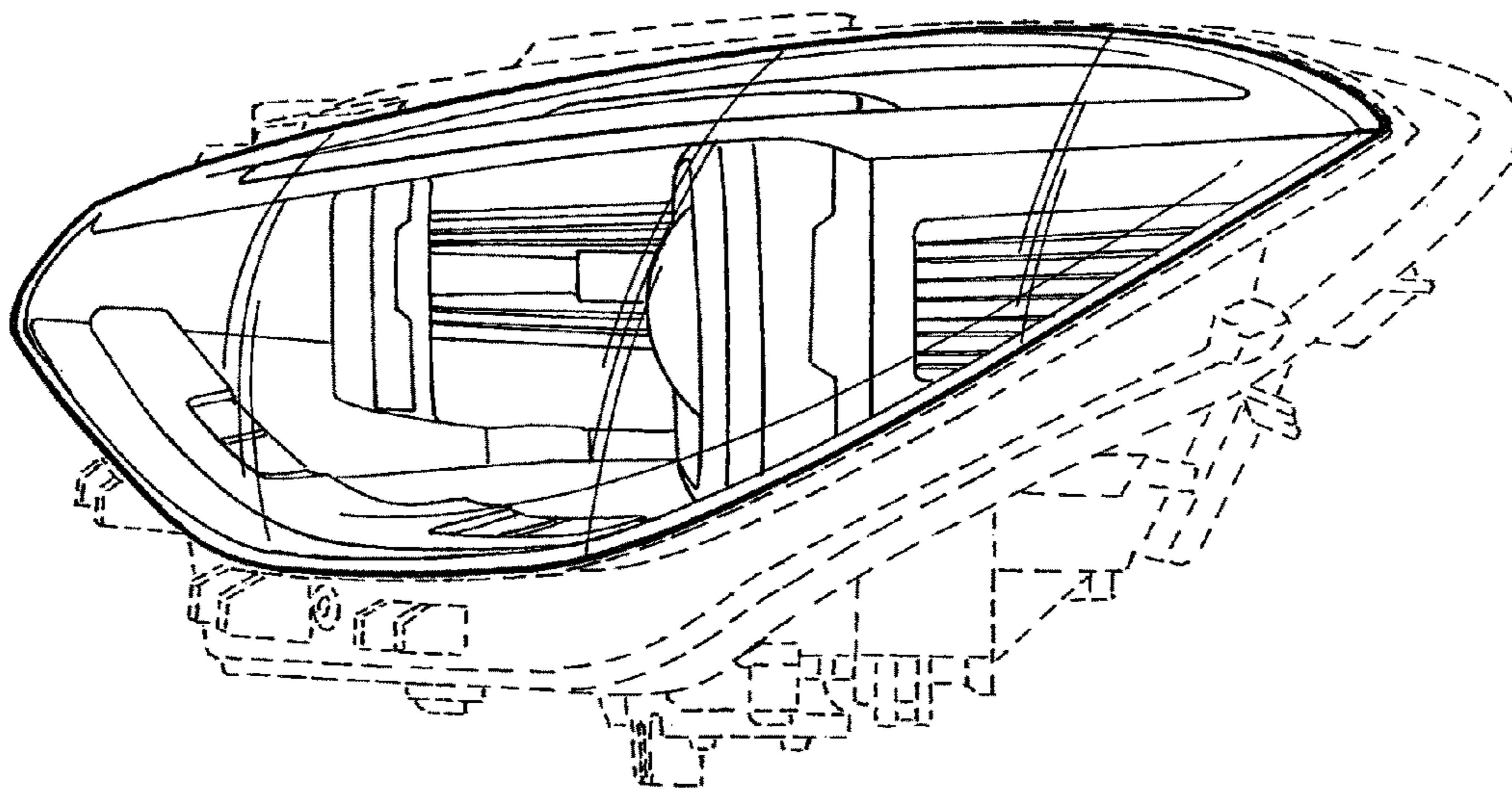


FIG. 4

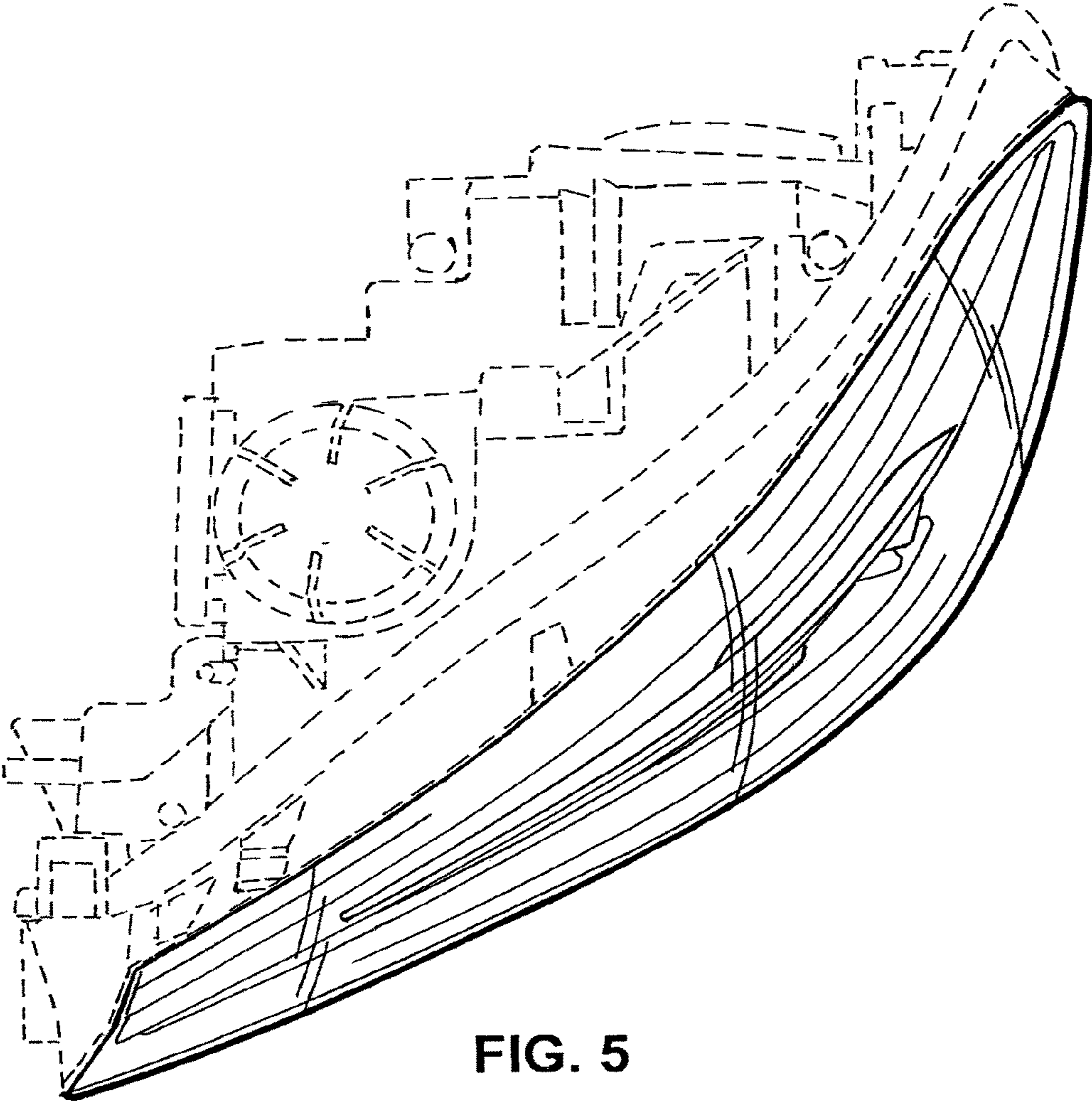


FIG. 5

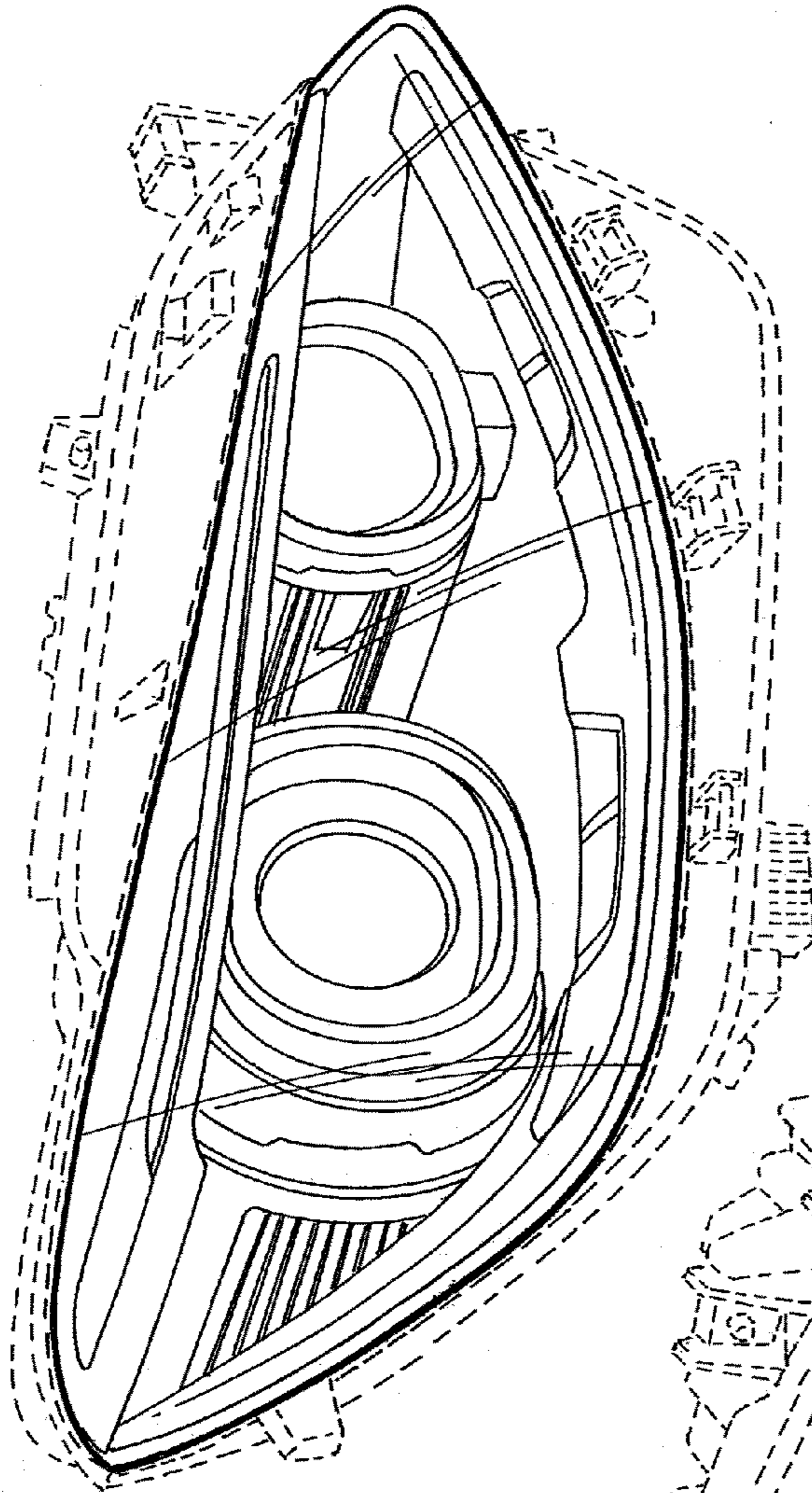


FIG. 6

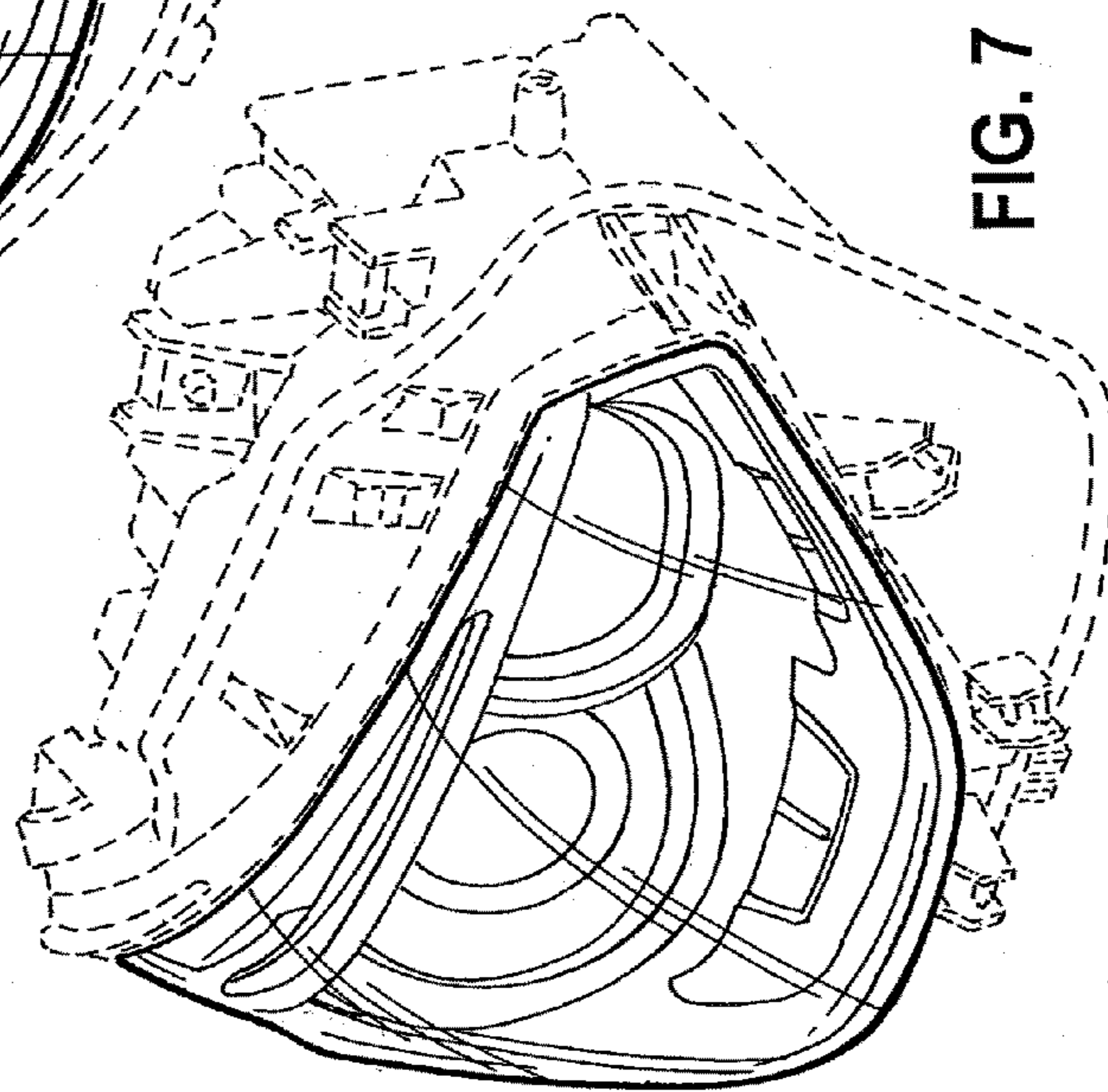


FIG. 7

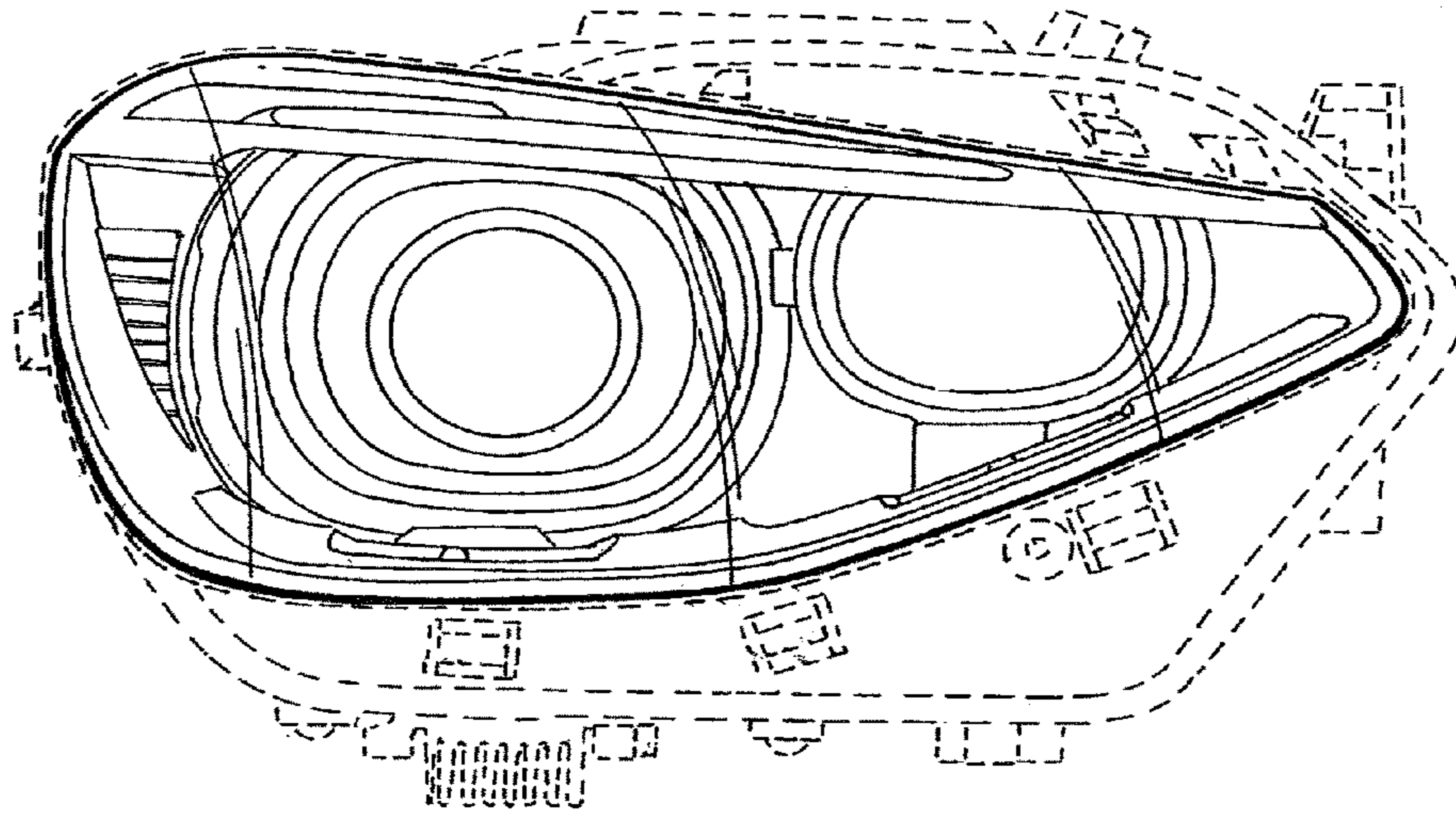


FIG. 8

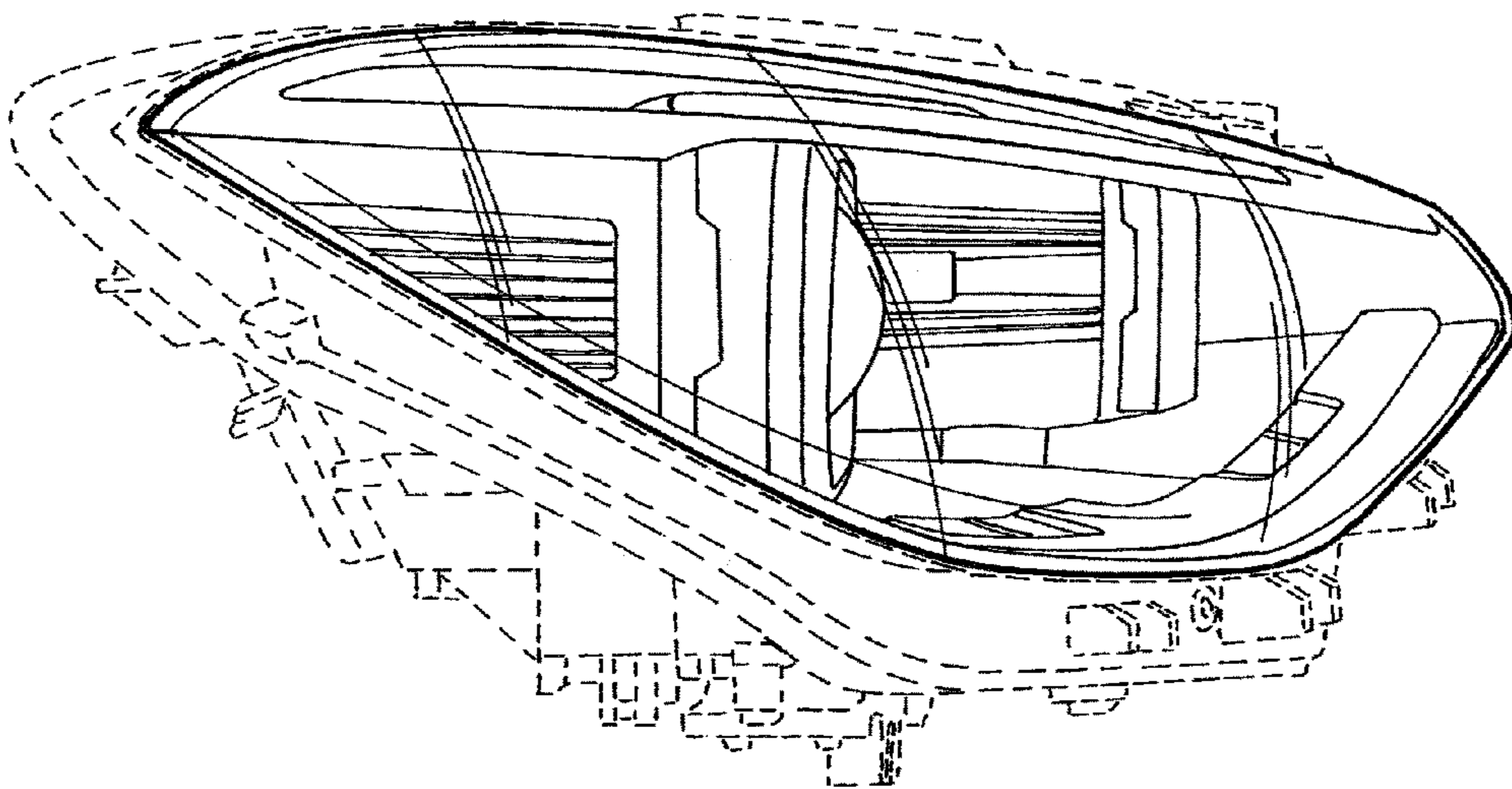


FIG. 9

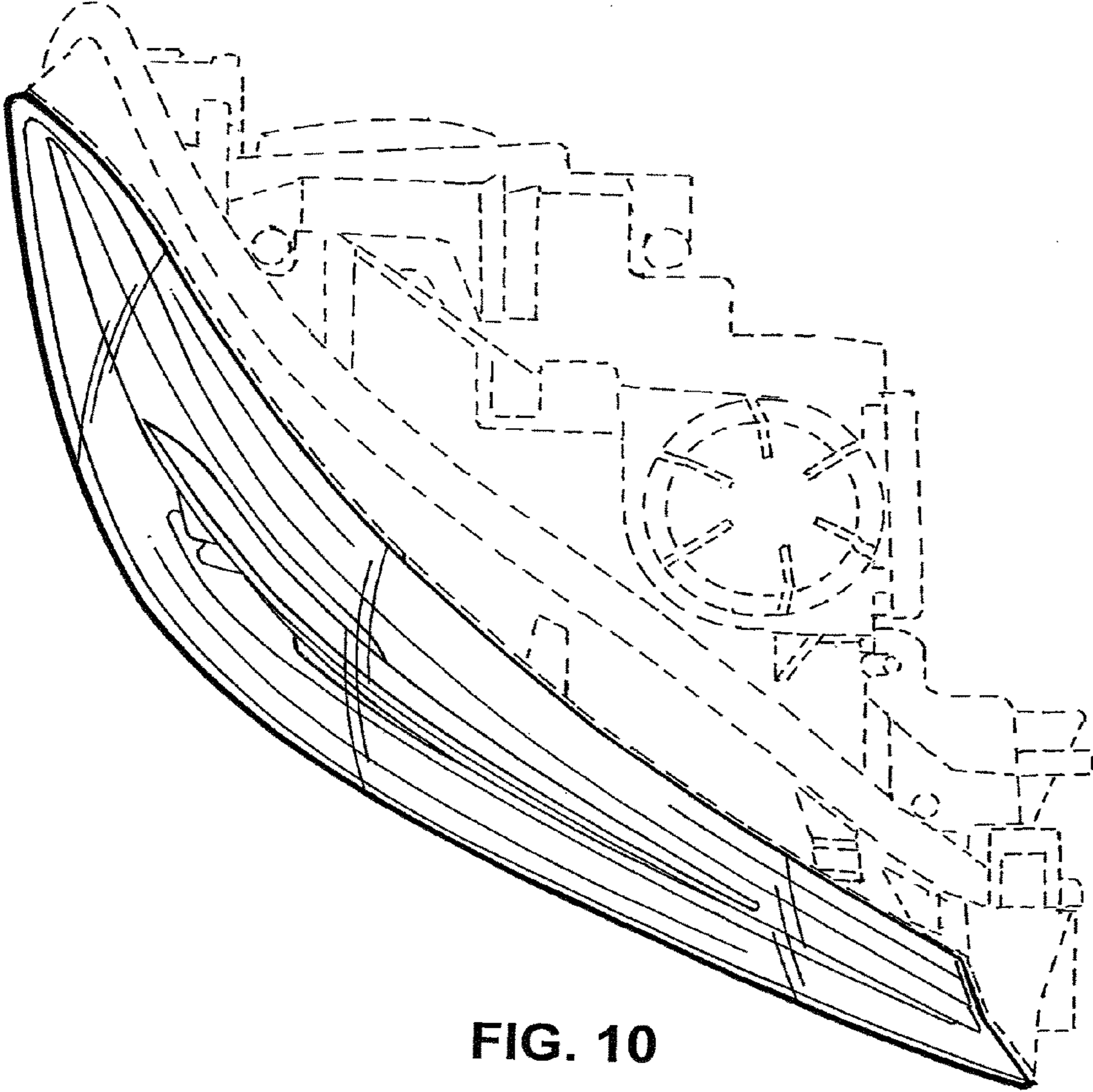


FIG. 10