



US00D667152S

(12) **United States Design Patent**
Hamasaki

(10) **Patent No.:** **US D667,152 S**
(45) **Date of Patent:** **** Sep. 11, 2012**

(54) **ELECTRONIC BICYCLE LIGHT HOUSING**

DESCRIPTION

- (75) Inventor: **Noriaki Hamasaki**, Costa Mesa, CA (US)
- (73) Assignee: **SSB Design, Inc.**, Santa Ana, CA (US)
- (**) Term: **14 Years**
- (21) Appl. No.: **29/399,613**
- (22) Filed: **Aug. 16, 2011**
- (51) **LOC (9) Cl.** **26-06**
- (52) **U.S. Cl.** **D26/28**
- (58) **Field of Classification Search** D26/28-36;
362/459-468, 475-478, 485-487
See application file for complete search history.

(56) **References Cited**

U.S. PATENT DOCUMENTS

D490,172	S	*	5/2004	Yamamoto	D26/28
D554,279	S	*	10/2007	Jeffries	D26/28
D564,683	S	*	3/2008	Roach et al.	D26/28
D570,009	S	*	5/2008	Kani et al.	D26/28
D574,978	S	*	8/2008	Hyodo et al.	D26/28
D584,840	S	*	1/2009	Okuda et al.	D26/28
D588,722	S	*	3/2009	Cheng	D26/28
D605,790	S	*	12/2009	Hsing-Tsun	D26/28
D629,538	S	*	12/2010	Nagano	D26/28
D629,539	S	*	12/2010	Rettenbacher et al.	D26/28

* cited by examiner

Primary Examiner — Marcus Jackson

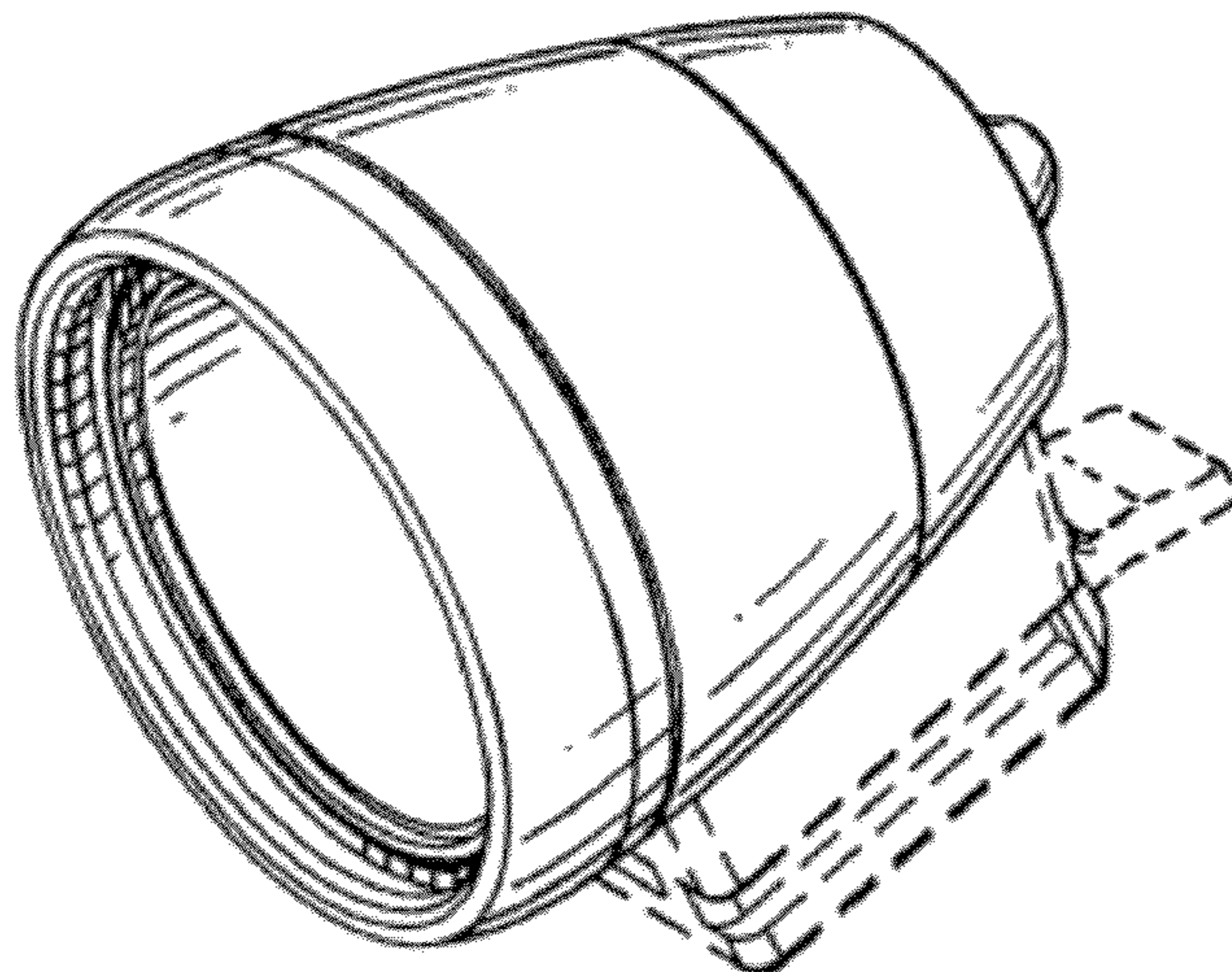
(57) **CLAIM**

I claim an ornamental design for the electronic bicycle light housing, as shown and described.

FIG. 1 is a perspective view of the electronic bicycle light housing of the present invention;
 FIG. 2 is a rear elevational view of the electronic bicycle light housing of the present invention;
 FIG. 3 is a front elevational view of the electronic bicycle light housing of the present invention;
 FIG. 4 represents each of a symmetrical a side view, a plan view and a bottom view of the electronic bicycle light housing of the present invention;
 FIG. 5 is a front elevational view of the electronic bicycle light housing of the present invention positioned within a mounting bracket that the electronic bicycle light housing may be embodied in;
 FIG. 6 is a left side view of the electronic bicycle light housing of the present invention positioned within a mounting bracket that the electronic bicycle light housing may be embodied in;
 FIG. 7 is a right side view of the electronic bicycle light housing of the present invention positioned within a mounting bracket that the electronic bicycle light housing may be embodied in;
 FIG. 8 is a plan view of the electronic bicycle light housing of FIG. 1 of the present invention positioned within a mounting bracket that the electronic bicycle light housing may be embodied in;
 FIG. 9 is a bottom view of the electronic bicycle light housing of the present invention positioned within a mounting bracket that the electronic bicycle light housing may be embodied in;
 and,
 FIG. 10 is a rear elevational view of the electronic bicycle light housing of the present invention positioned within a mounting bracket that the electronic bicycle light housing may be embodied in.

The broken-line disclosure in the views is understood to represent portions of the article in which the claimed design may be embodied, but which forms no part of the claimed design.

1 Claim, 4 Drawing Sheets



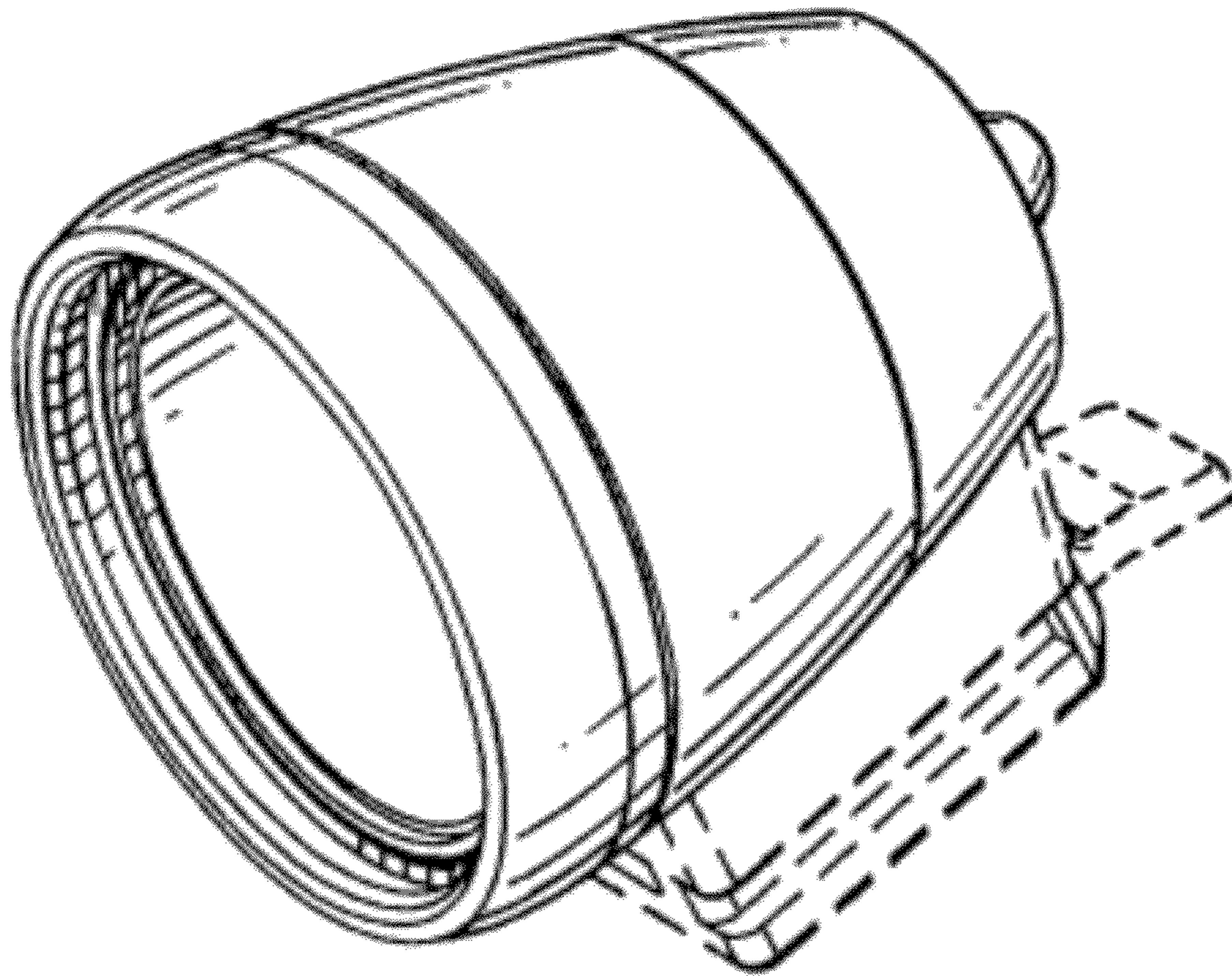


FIG. 1

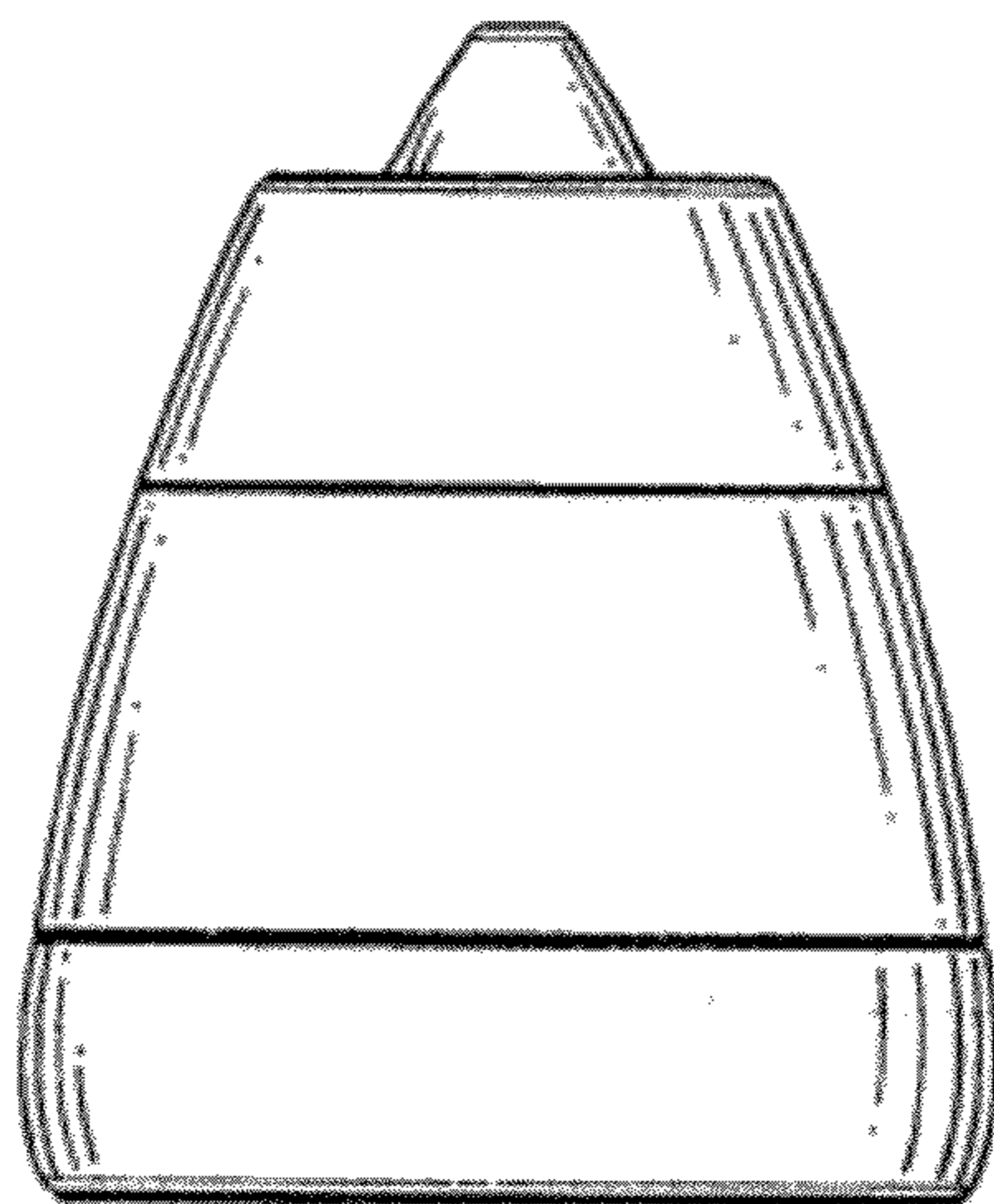


FIG. 4

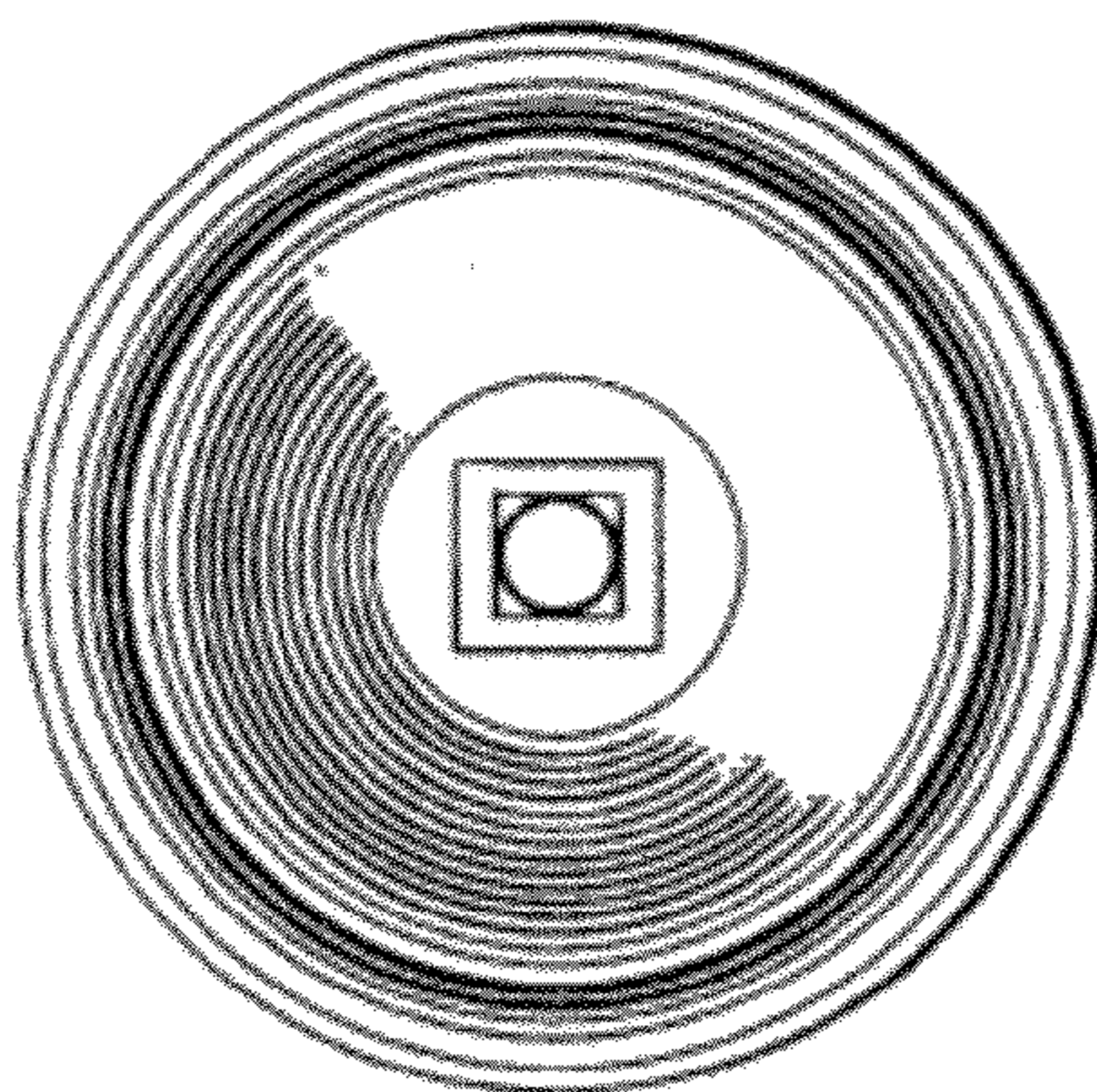


FIG. 3

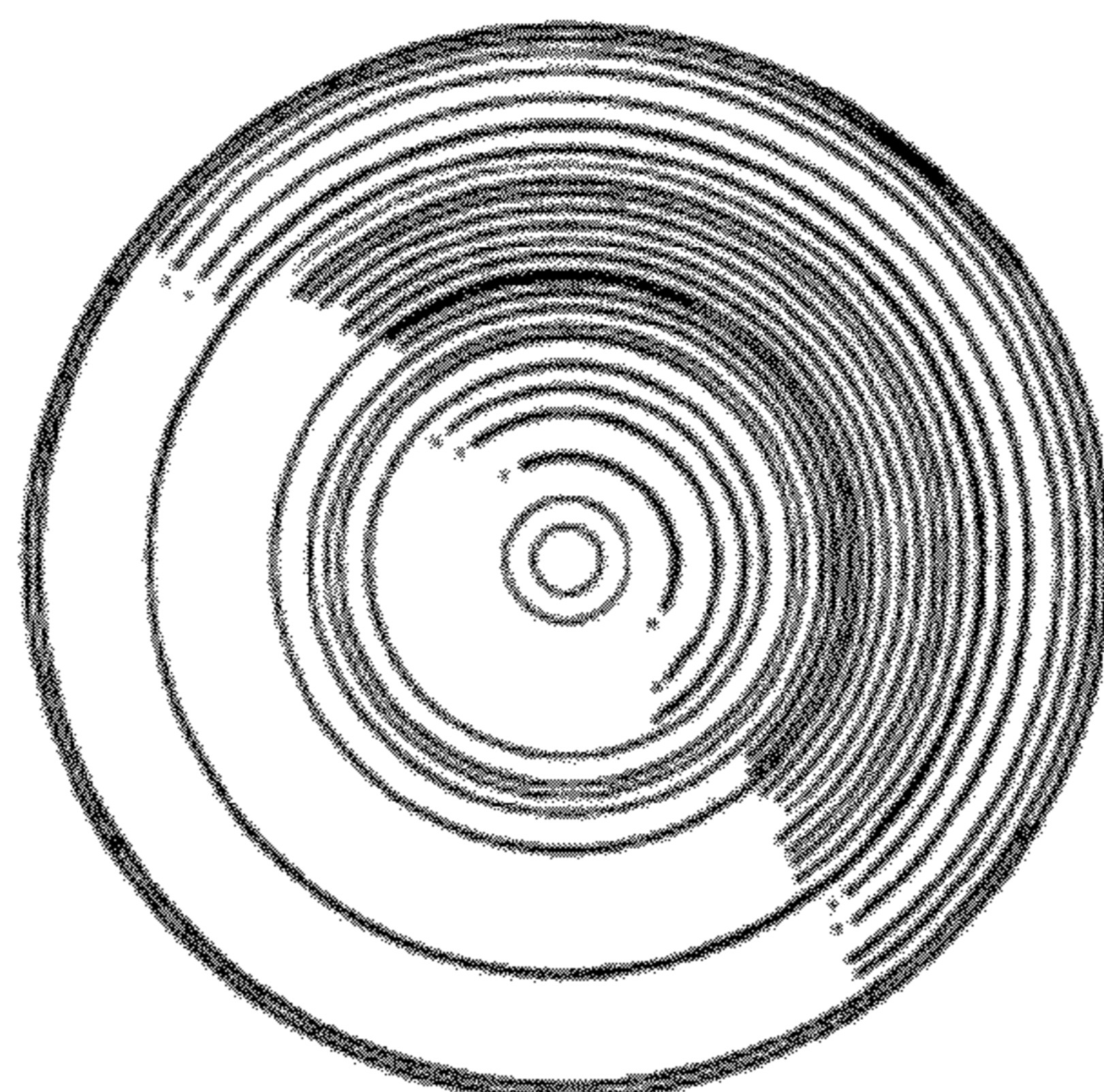


FIG. 2

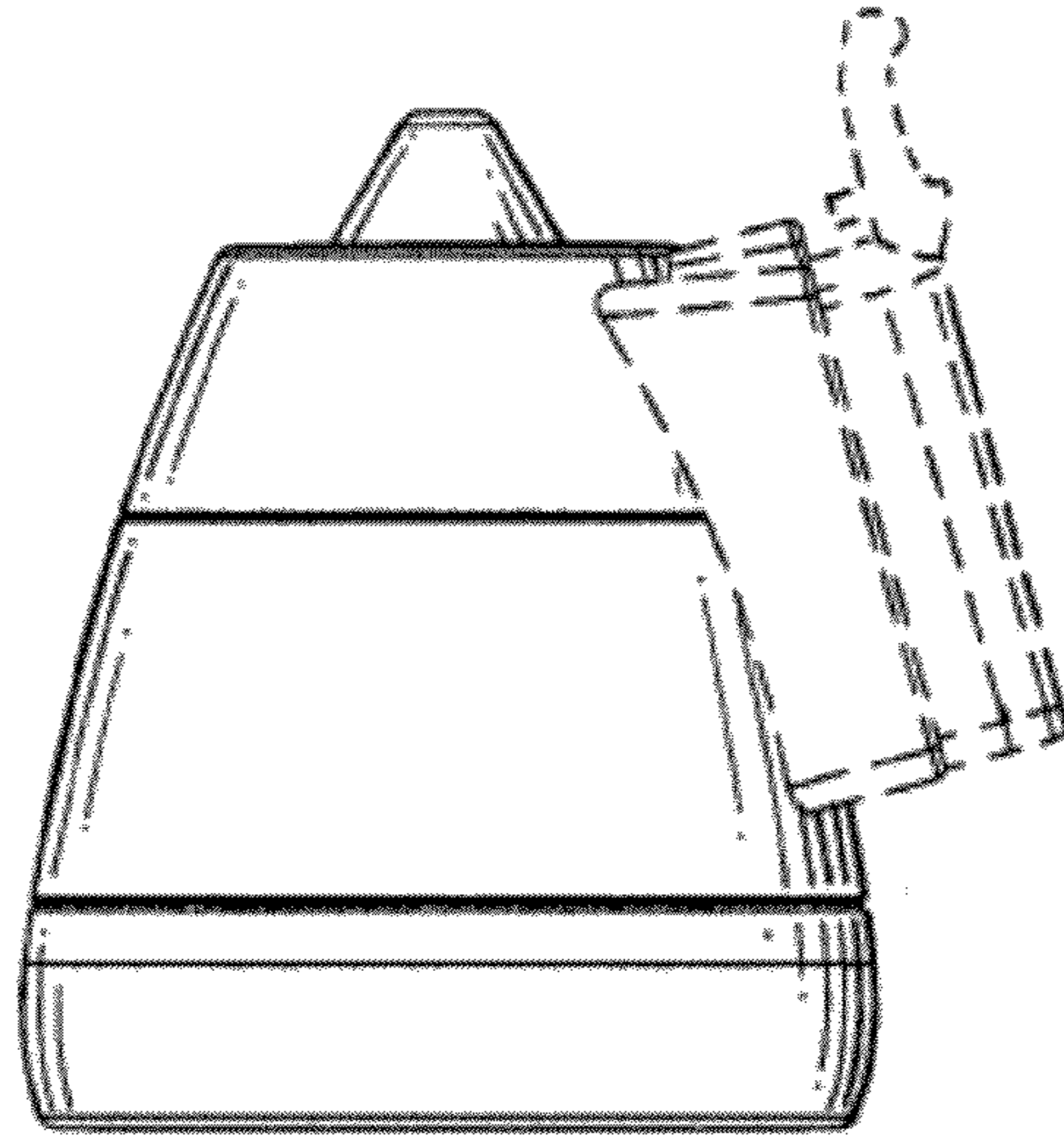


FIG. 7

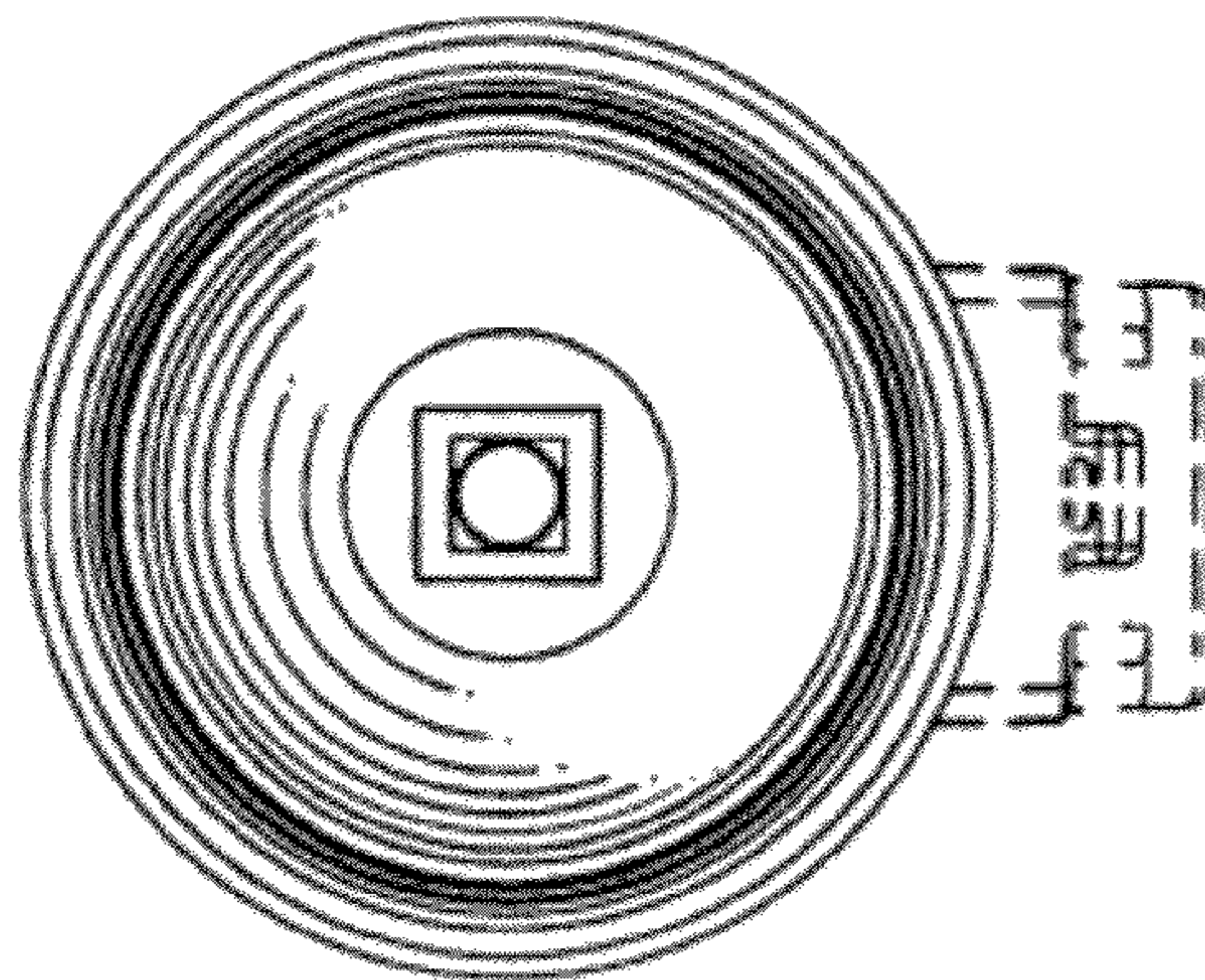


FIG. 5

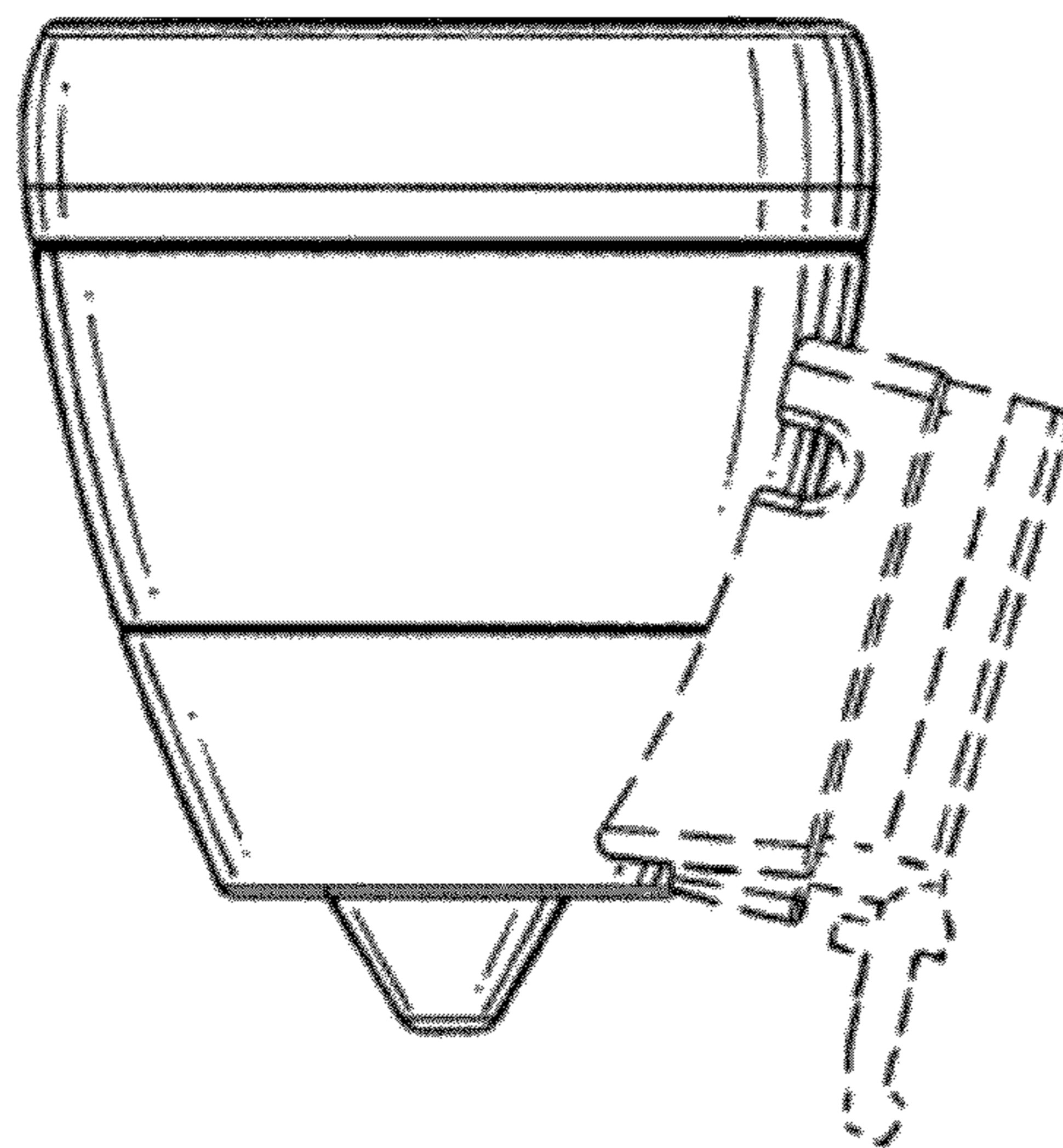


FIG. 6

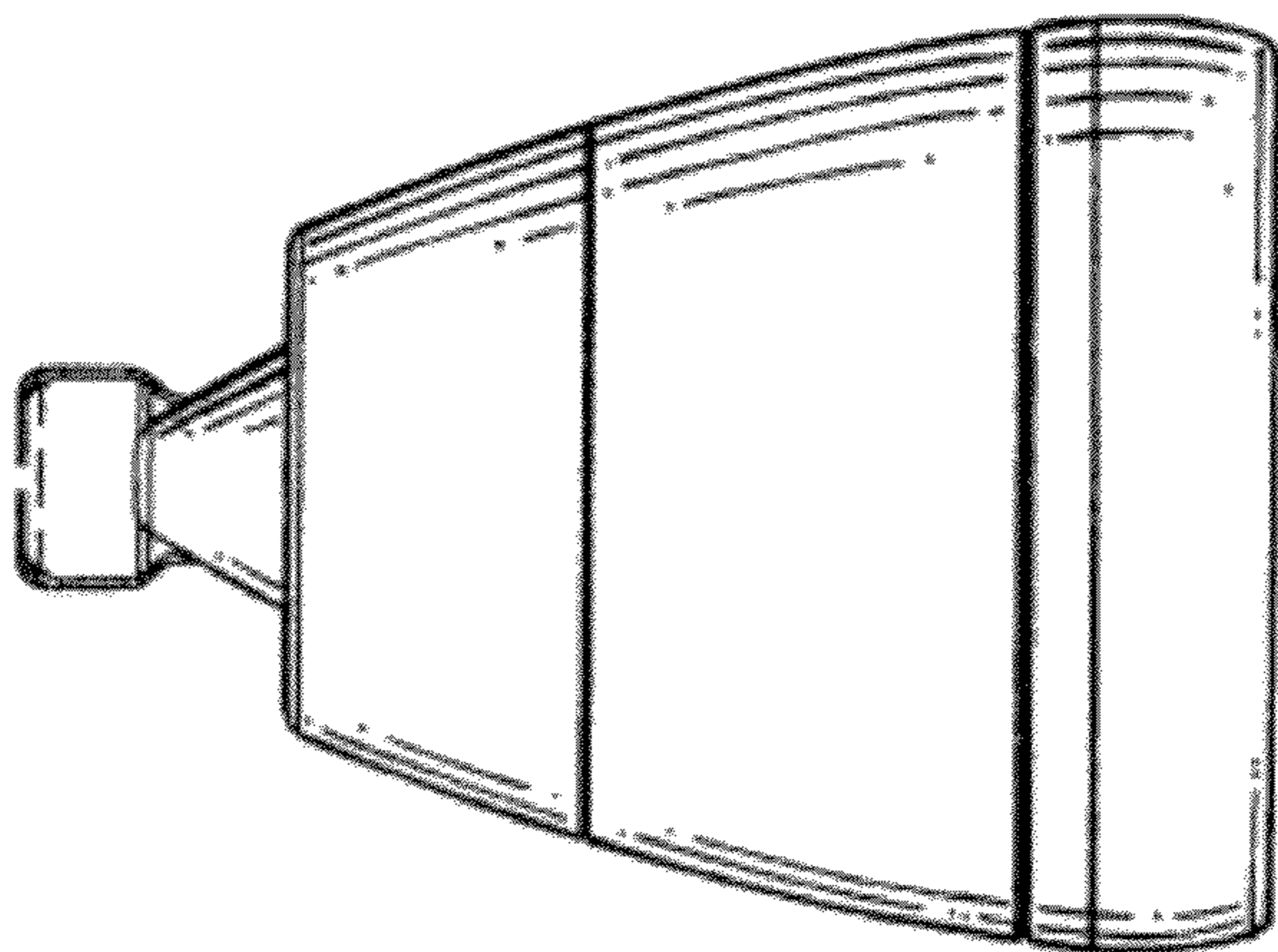


FIG. 8

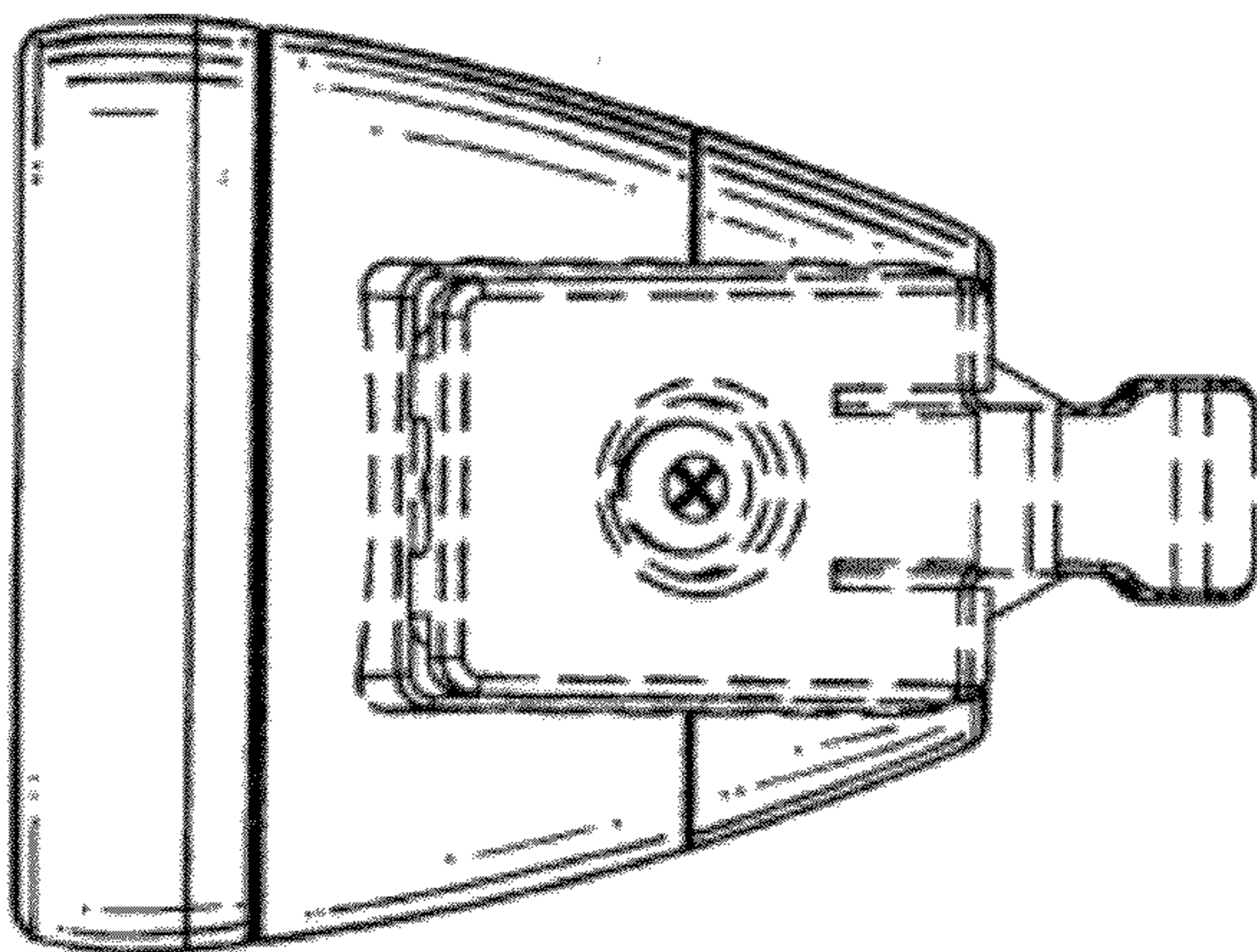


FIG. 9

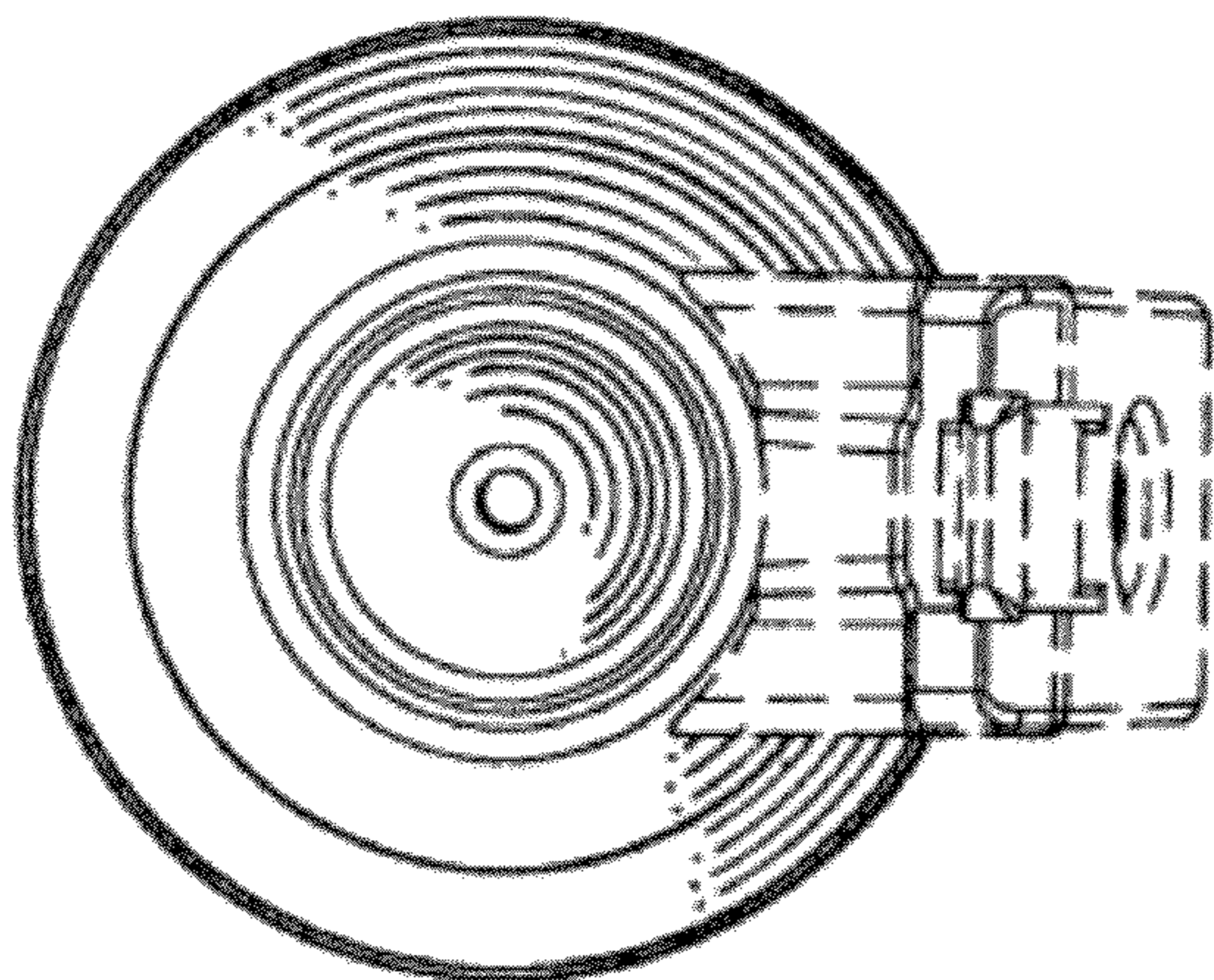


FIG. 10