



US00D667150S

(12) **United States Design Patent**
Chun et al.

(10) **Patent No.:** **US D667,150 S**
(45) **Date of Patent:** **** Sep. 11, 2012**

(54) **LED LAMP**

(75) Inventors: **Jaehung Chun**, Seoul (KR); **Jaeseung Choi**, Seoul (KR); **Wonho Jin**, Seoul (KR)

(73) Assignee: **LG Electronics Inc.**, Seoul (KR)

(**) Term: **14 Years**

(21) Appl. No.: **29/410,822**

(22) Filed: **Jan. 12, 2012**

(30) **Foreign Application Priority Data**

Jul. 15, 2011 (KR) 30-2011-0029618

(51) **LOC (9) Cl.** **26-04**

(52) **U.S. Cl.** **D26/2**

(58) **Field of Classification Search** D26/1-4;
313/313, 315, 316, 317, 318, 493; 315/52,
315/53, 56, 57, 58

See application file for complete search history.

(56) **References Cited**

U.S. PATENT DOCUMENTS

D435,577	S	*	12/2000	McBride	D16/203
D532,532	S	*	11/2006	Maxik	D26/2
D544,110	S	*	6/2007	Hooker et al.	D26/2
D566,300	S	*	4/2008	Lo	D26/2
D581,555	S	*	11/2008	To et al.	D26/2
D584,838	S	*	1/2009	To et al.	D26/2
D610,722	S	*	2/2010	Bi	D26/2

* cited by examiner

Primary Examiner — Marcus Jackson

(74) *Attorney, Agent, or Firm* — Morgan, Lewis & Bockius LLP

(57) **CLAIM**

The ornamental design for a LED lamp, as shown and described.

DESCRIPTION

FIG. 1 is a perspective view of a LED lamp showing our new design;
FIG. 2 is a front view thereof;
FIG. 3 is a rear view thereof;
FIG. 4 is a left side view thereof;
FIG. 5 is a right side view thereof;
FIG. 6 is a top plan view thereof; and,
FIG. 7 is a bottom plan view thereof.

1 Claim, 7 Drawing Sheets

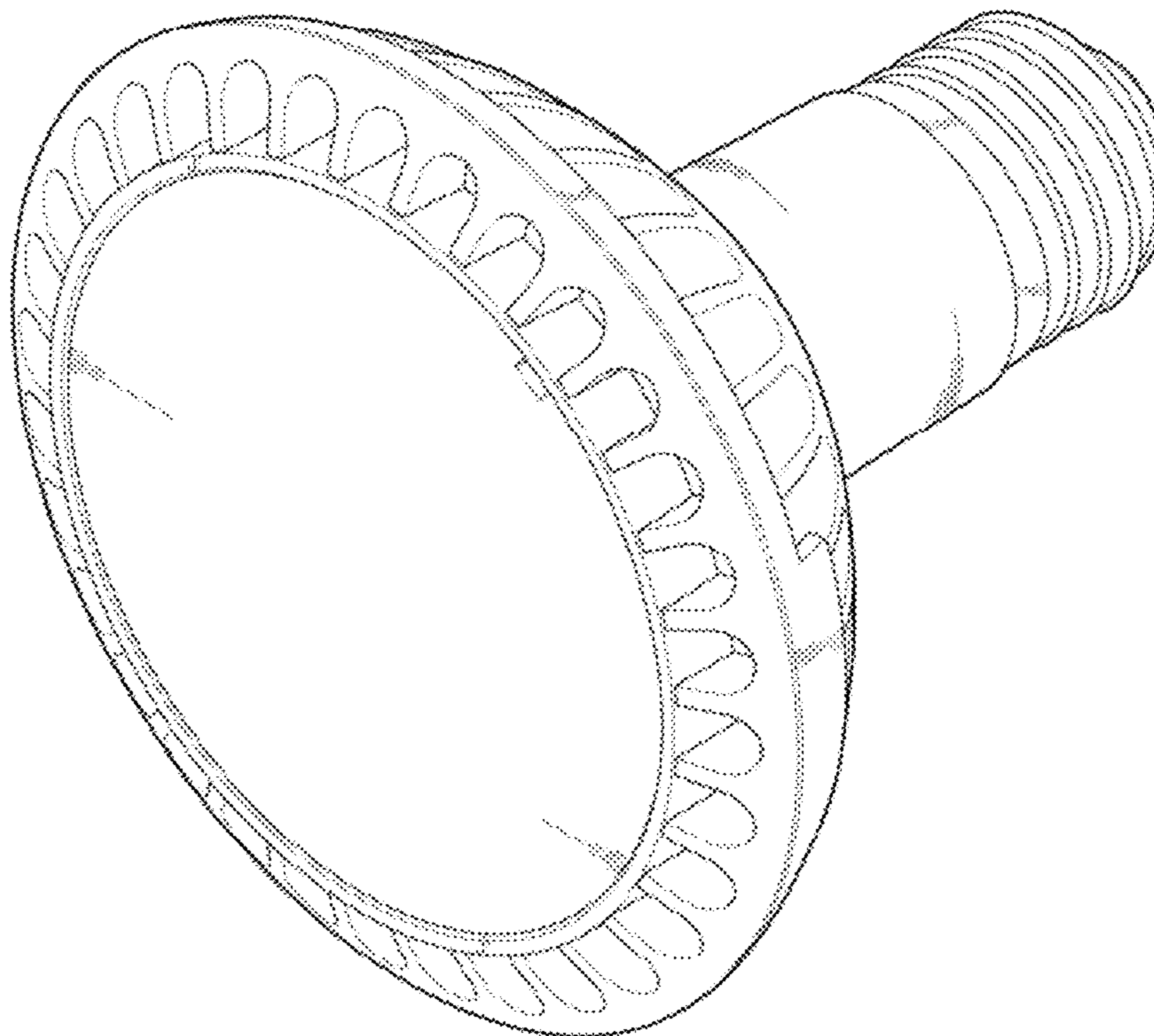


FIG. 1

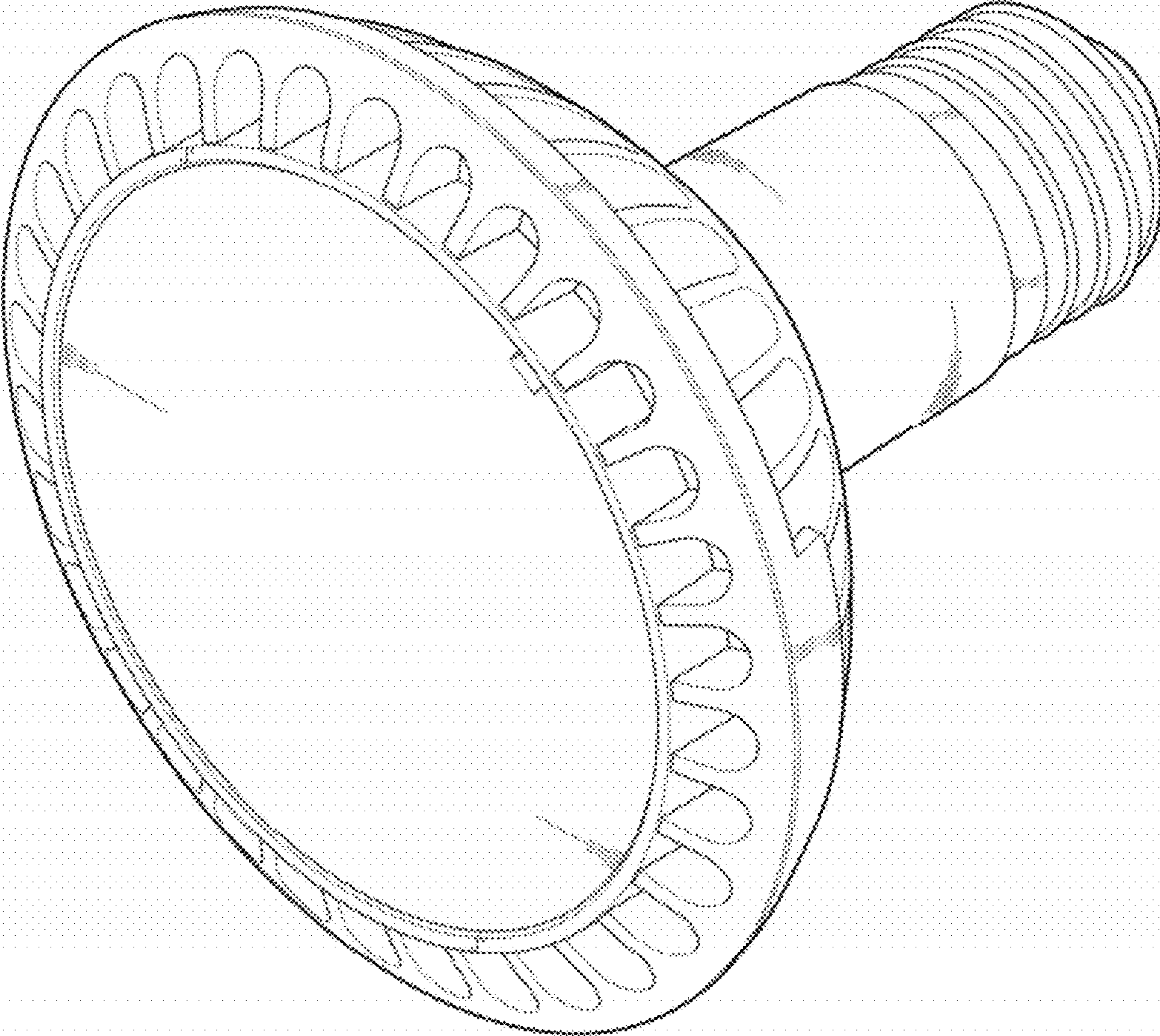


FIG. 2

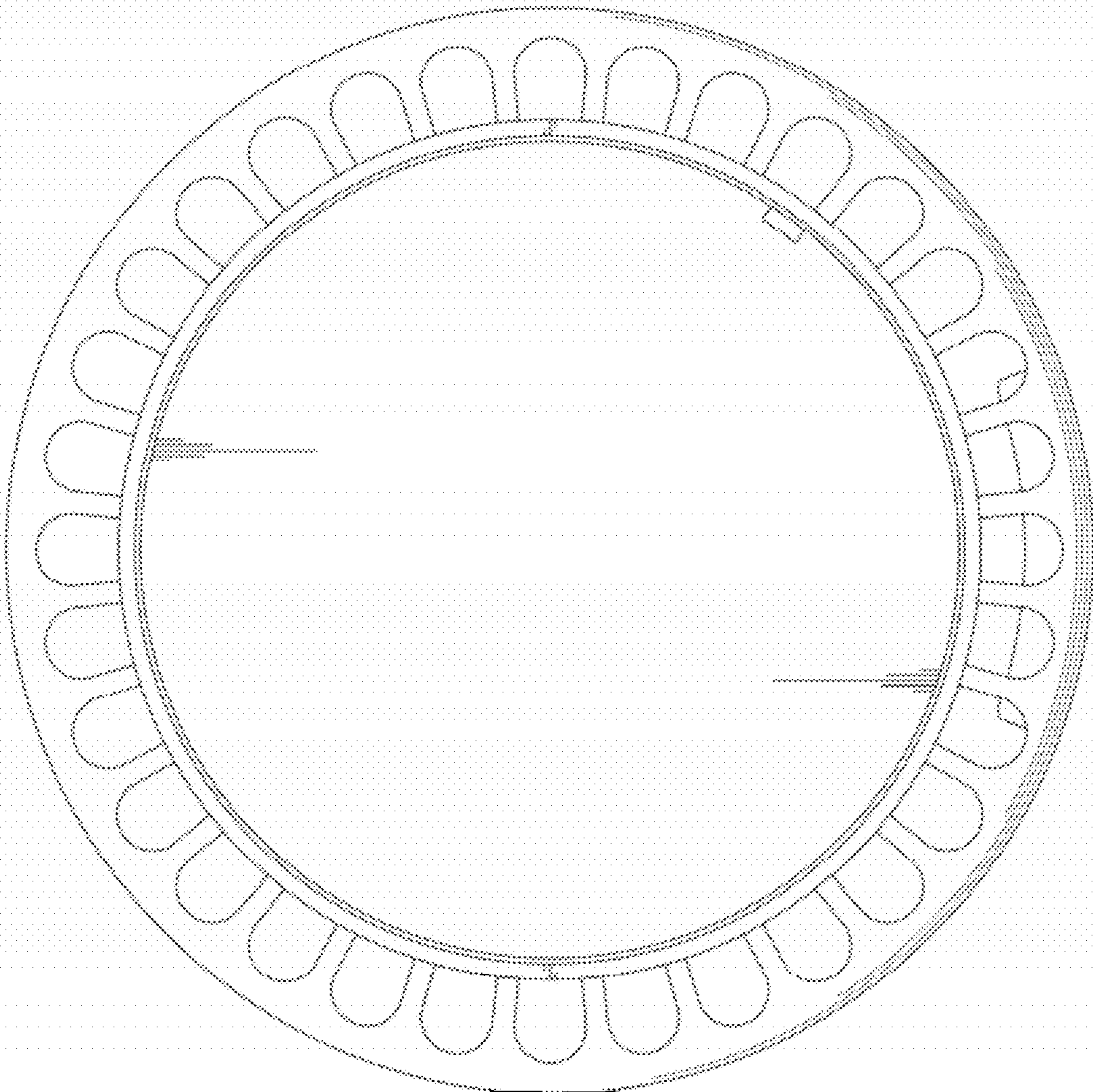


FIG. 3

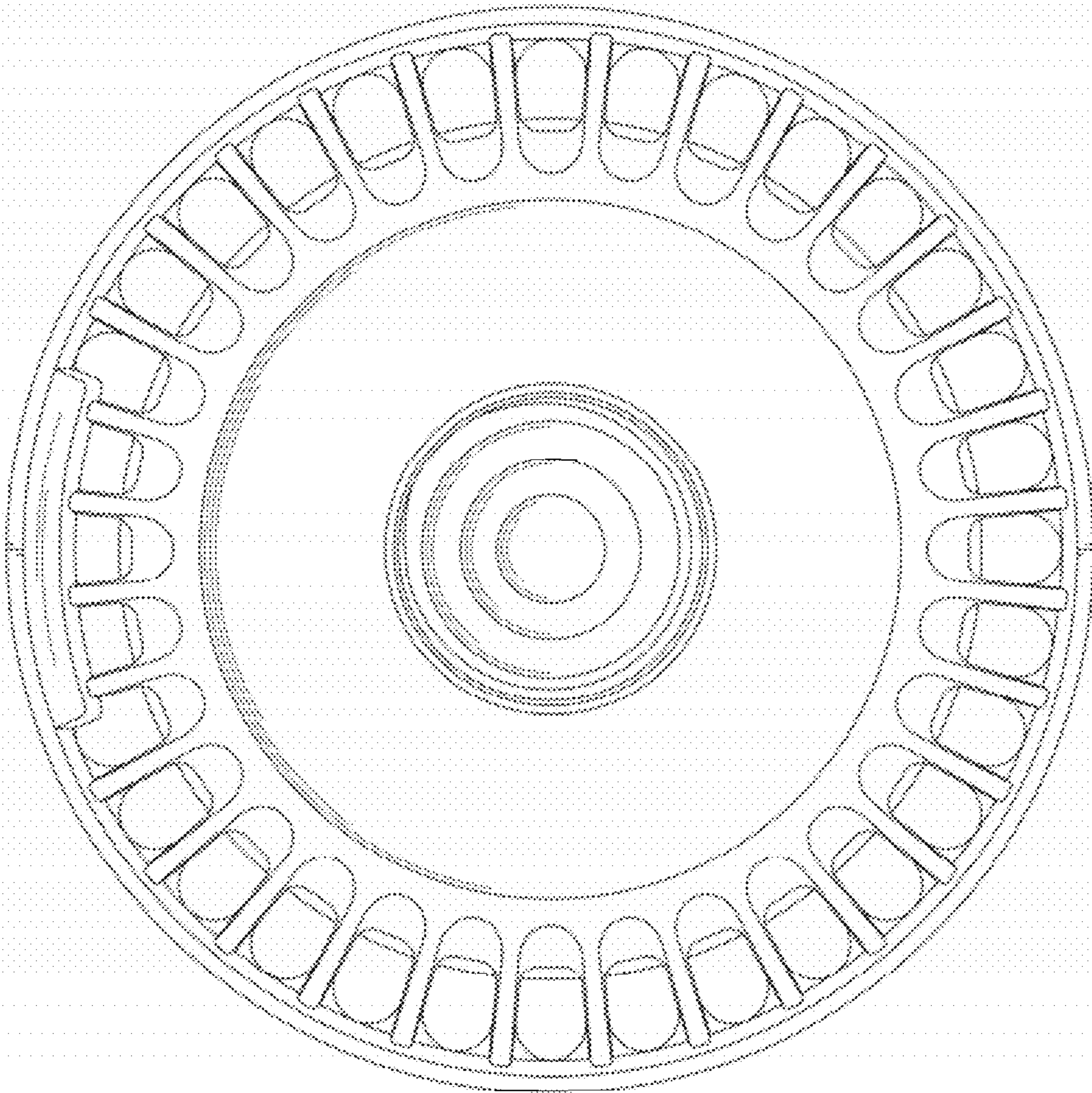


FIG. 4

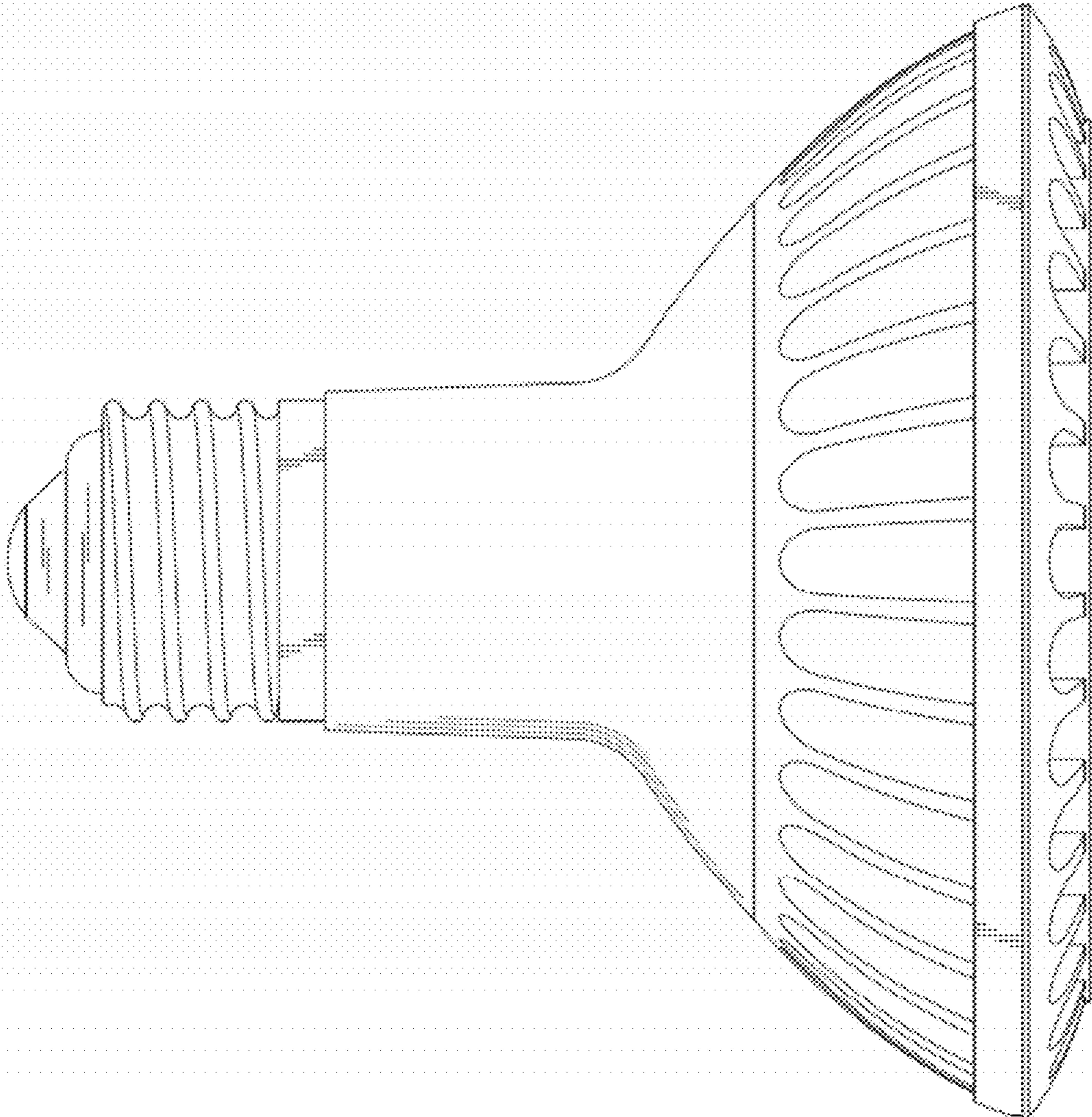


FIG. 5

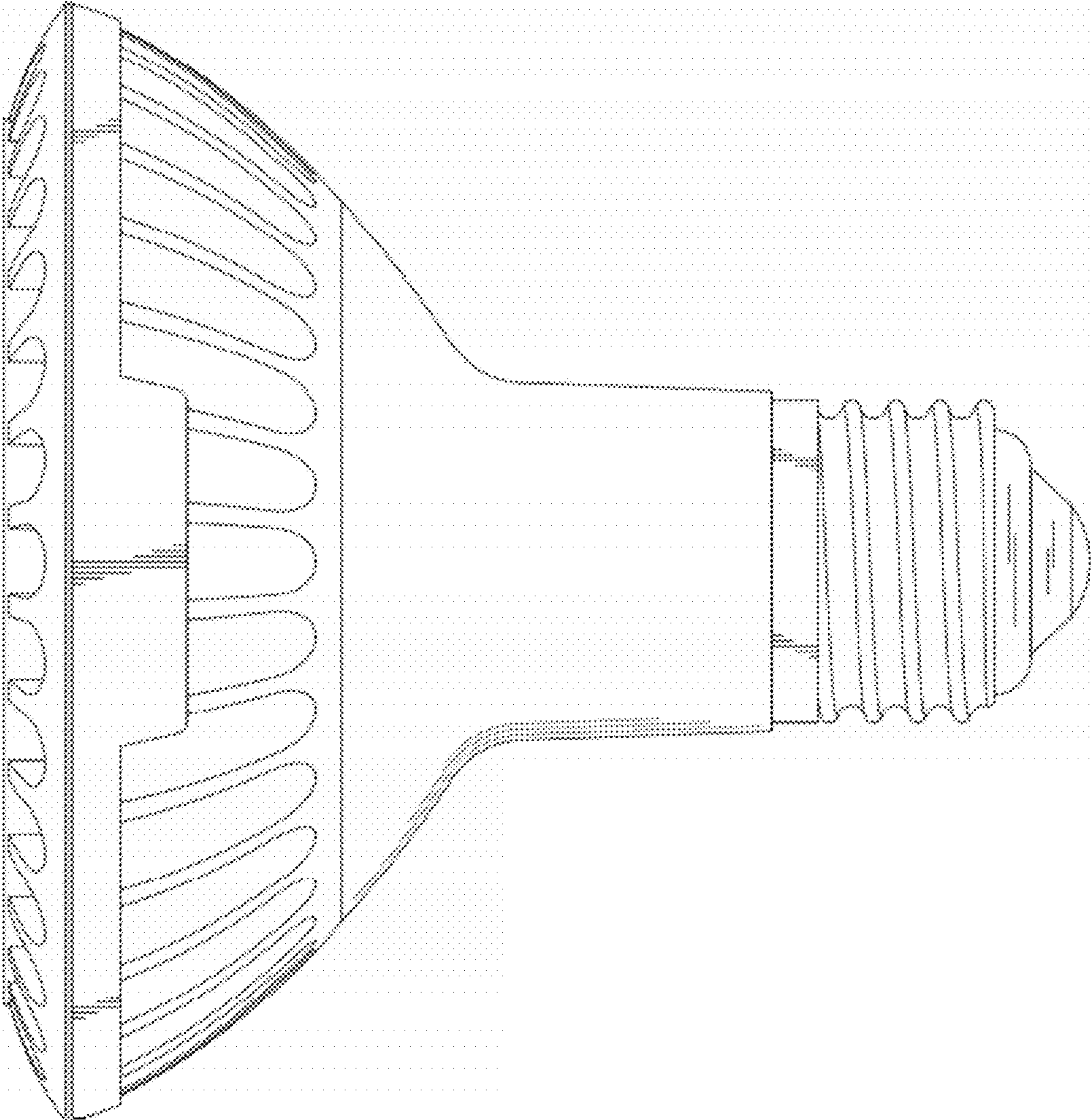


FIG. 6

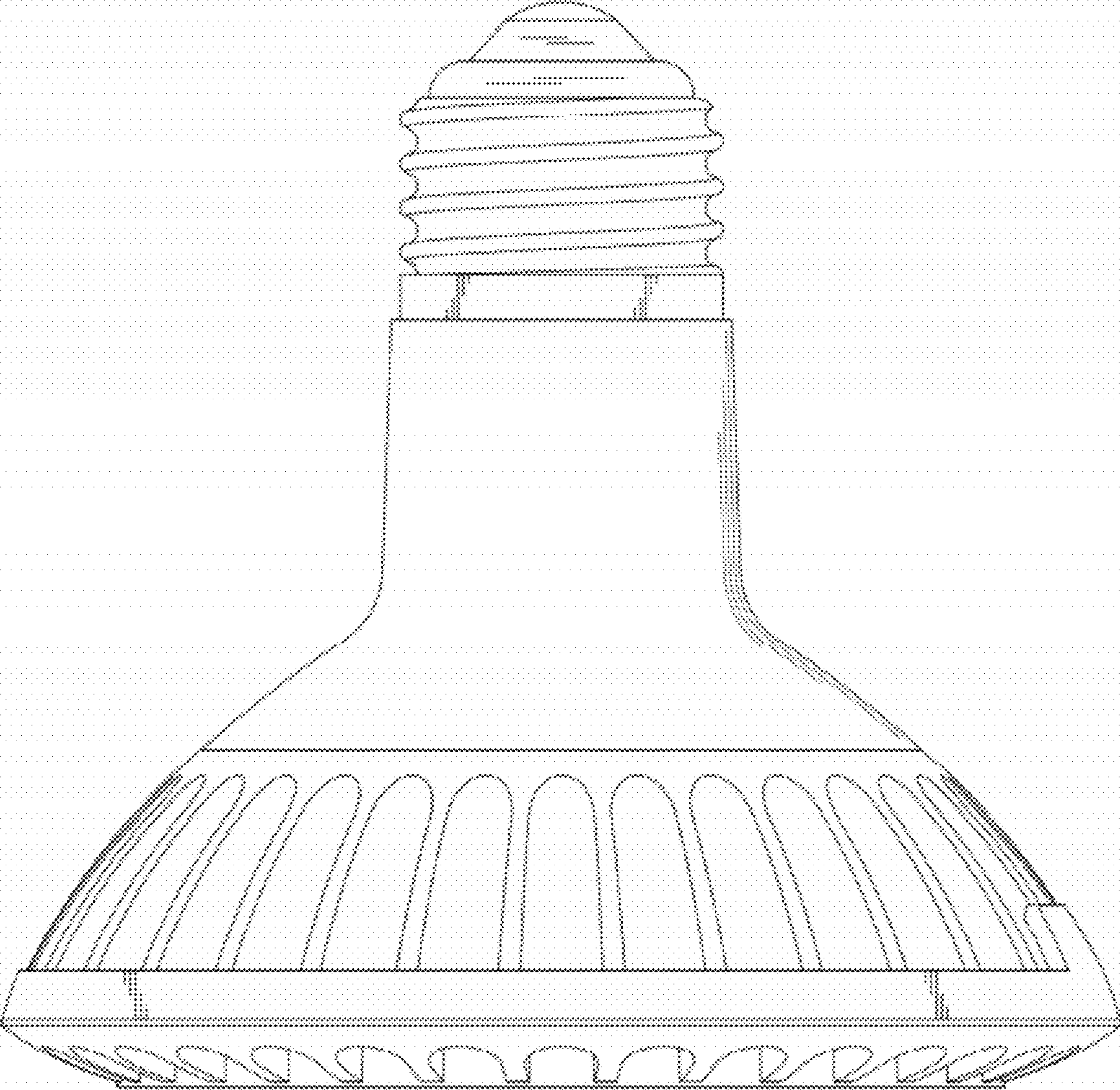


FIG. 7

