

US00D667148S

(12) **United States Design Patent**  
**Chun et al.**

(10) **Patent No.:** **US D667,148 S**

(45) **Date of Patent:** **\*\* Sep. 11, 2012**

(54) **LED LAMP**

(75) Inventors: **Jaehung Chun**, Seoul (KR); **Jaeseung Choi**, Seoul (KR); **Wonho Jin**, Seoul (KR)

(73) Assignee: **LG Electronics Inc.**, Seoul (KR)

(\*\*) Term: **14 Years**

(21) Appl. No.: **29/410,816**

(22) Filed: **Jan. 12, 2012**

(30) **Foreign Application Priority Data**

Jul. 15, 2011 (KR) ..... 30-2011-0029616

(51) **LOC (9) Cl.** ..... **26-04**

(52) **U.S. Cl.** ..... **D26/2**

(58) **Field of Classification Search** ..... D26/1-4;  
313/313, 315, 316, 317, 318, 493; 315/52,  
315/53, 56, 57, 58

See application file for complete search history.

(56) **References Cited**

**U.S. PATENT DOCUMENTS**

D545,457 S \* 6/2007 Chen ..... D26/2  
D584,428 S \* 1/2009 Li et al. .... D26/2  
D587,384 S \* 2/2009 Wei ..... D26/2

D592,766 S \* 5/2009 Zhu et al. .... D26/2  
D601,275 S \* 9/2009 Ho et al. .... D26/2  
D607,587 S \* 1/2010 Ko ..... D26/2  
D610,275 S \* 2/2010 Cho ..... D26/2  
D612,956 S \* 3/2010 Moon ..... D26/2  
D613,433 S \* 4/2010 Moon ..... D26/2  
D644,357 S \* 8/2011 Hsu et al. .... D26/2

\* cited by examiner

*Primary Examiner* — Marcus Jackson

(74) *Attorney, Agent, or Firm* — Morgan, Lewis & Bockius LLP

(57) **CLAIM**

The ornamental design for a LED lamp, as shown and described.

**DESCRIPTION**

FIG. 1 is a perspective view of a LED lamp showing our new design;

FIG. 2 is a front view thereof;

FIG. 3 is a rear view thereof;

FIG. 4 is a left side view thereof;

FIG. 5 is a right side view thereof;

FIG. 6 is a top plan view thereof; and,

FIG. 7 is a bottom plan view thereof.

**1 Claim, 7 Drawing Sheets**

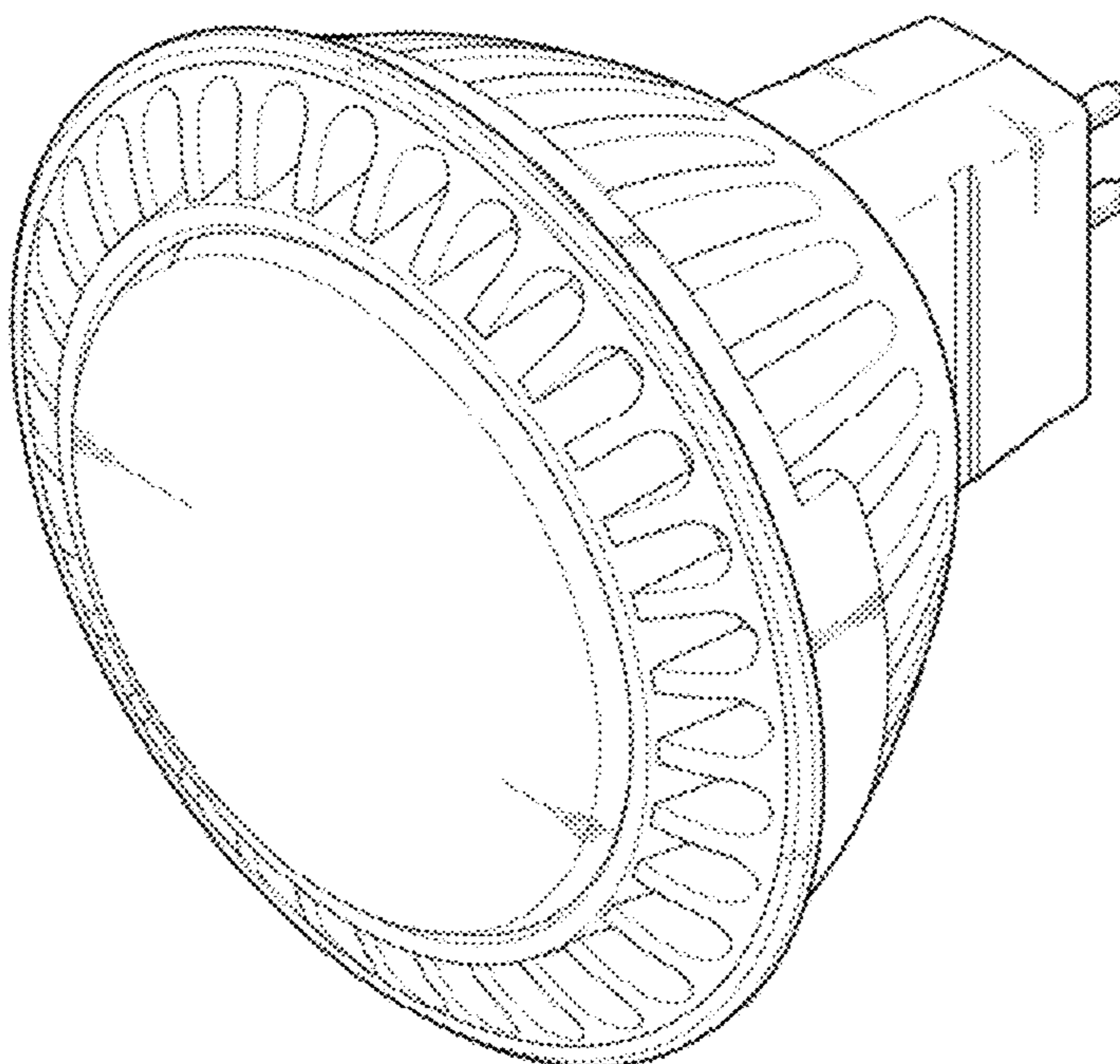


FIG. 1

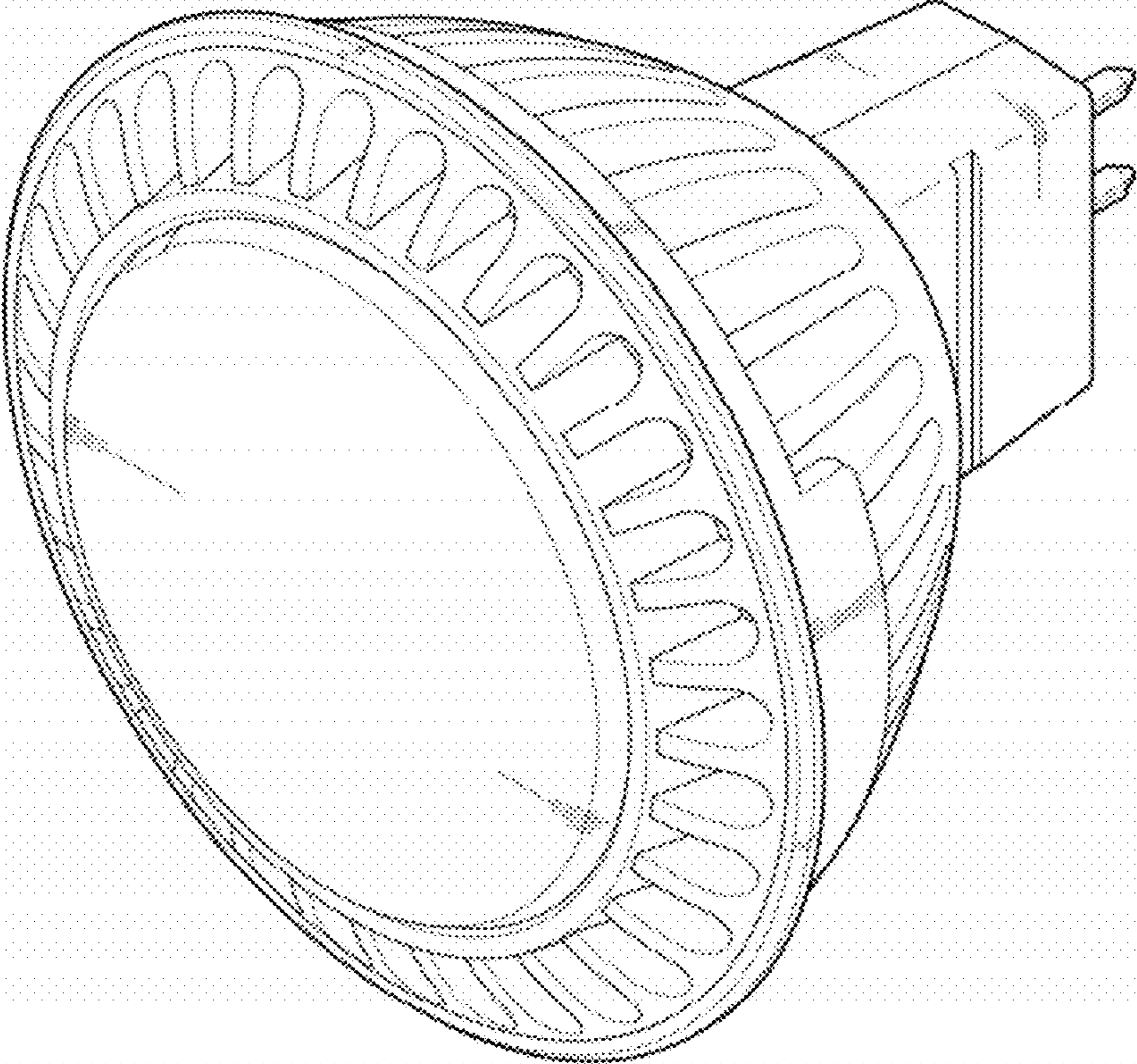


FIG. 2

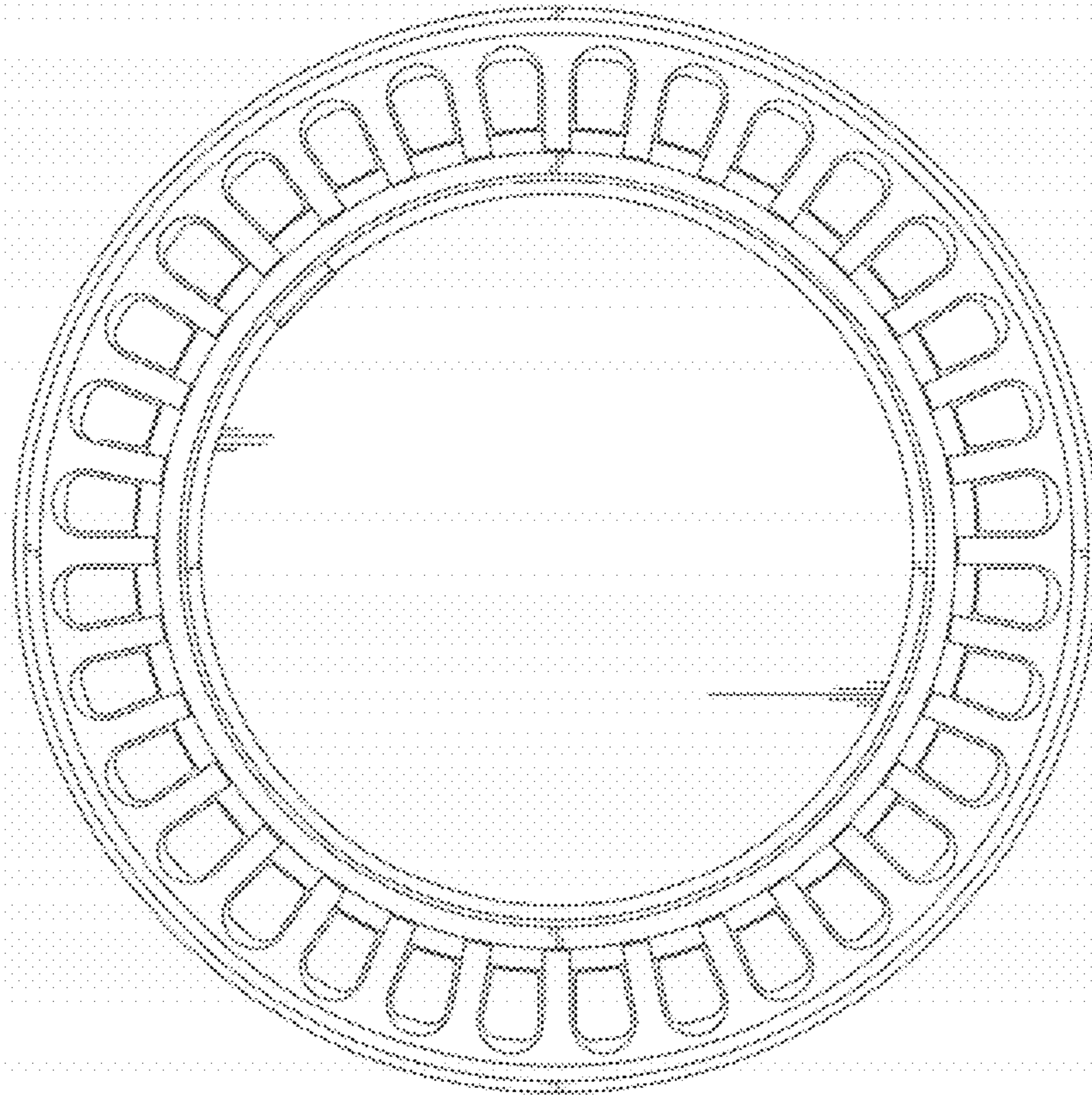




FIG. 3

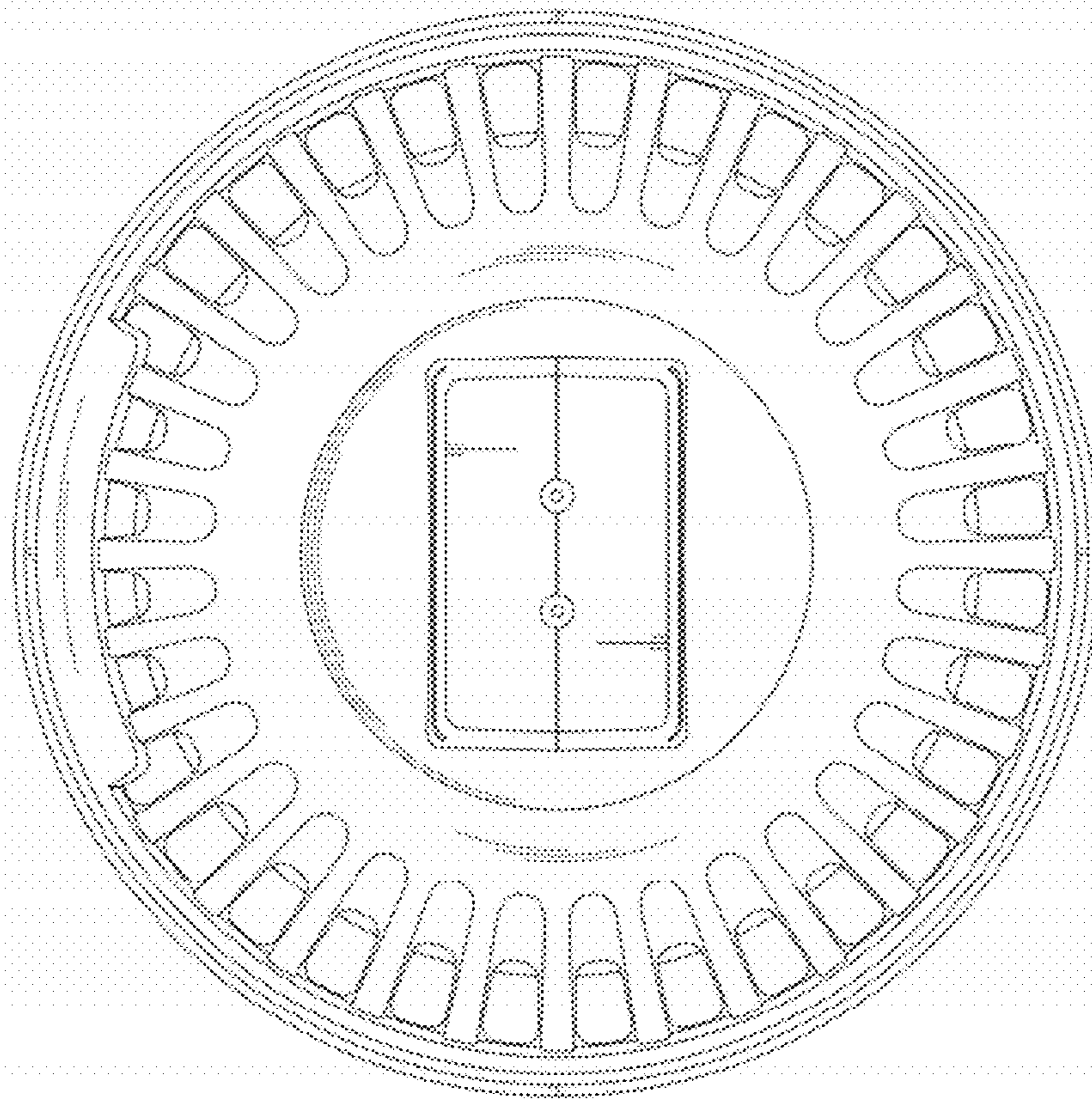


FIG. 4

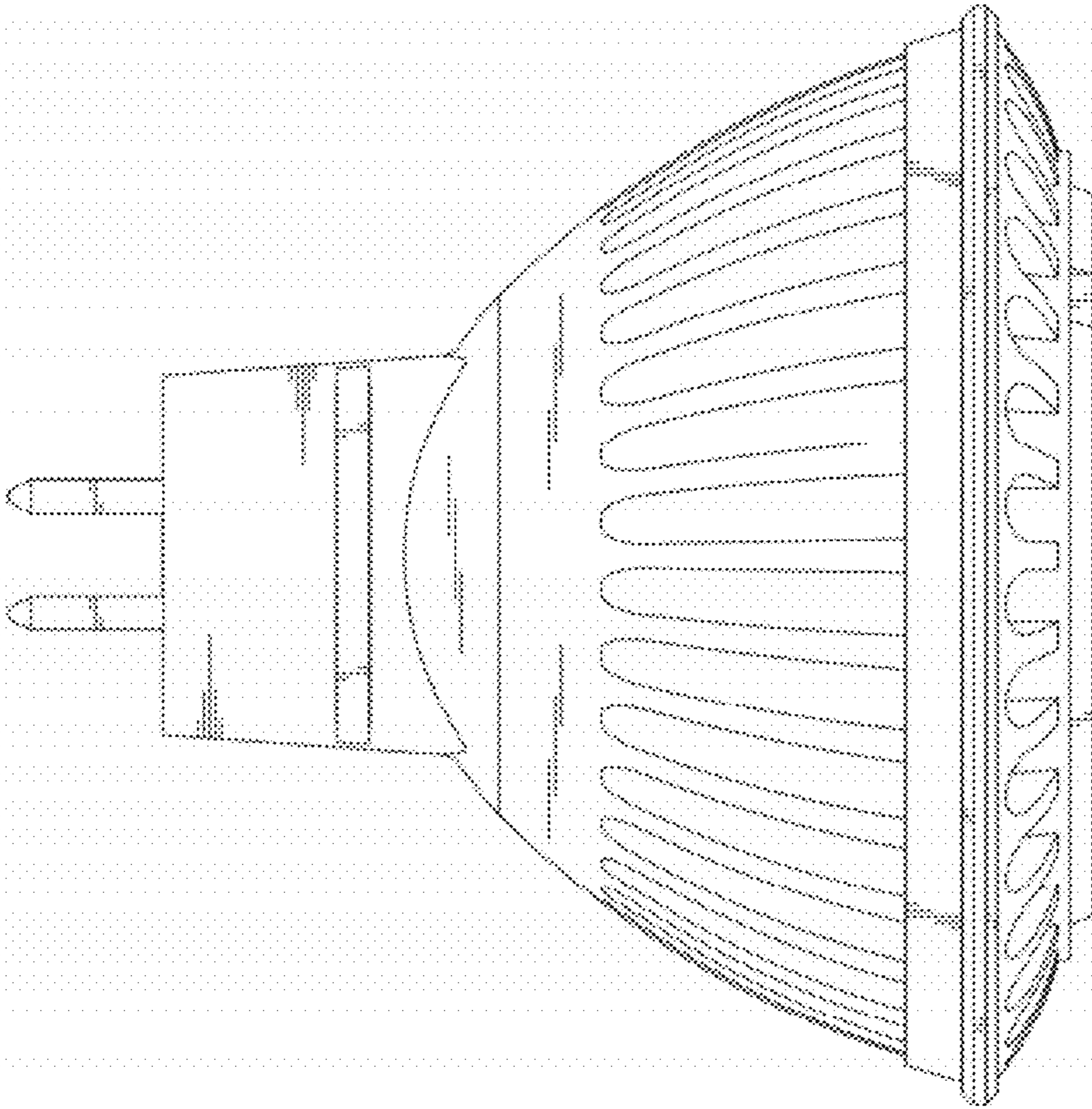


FIG. 5

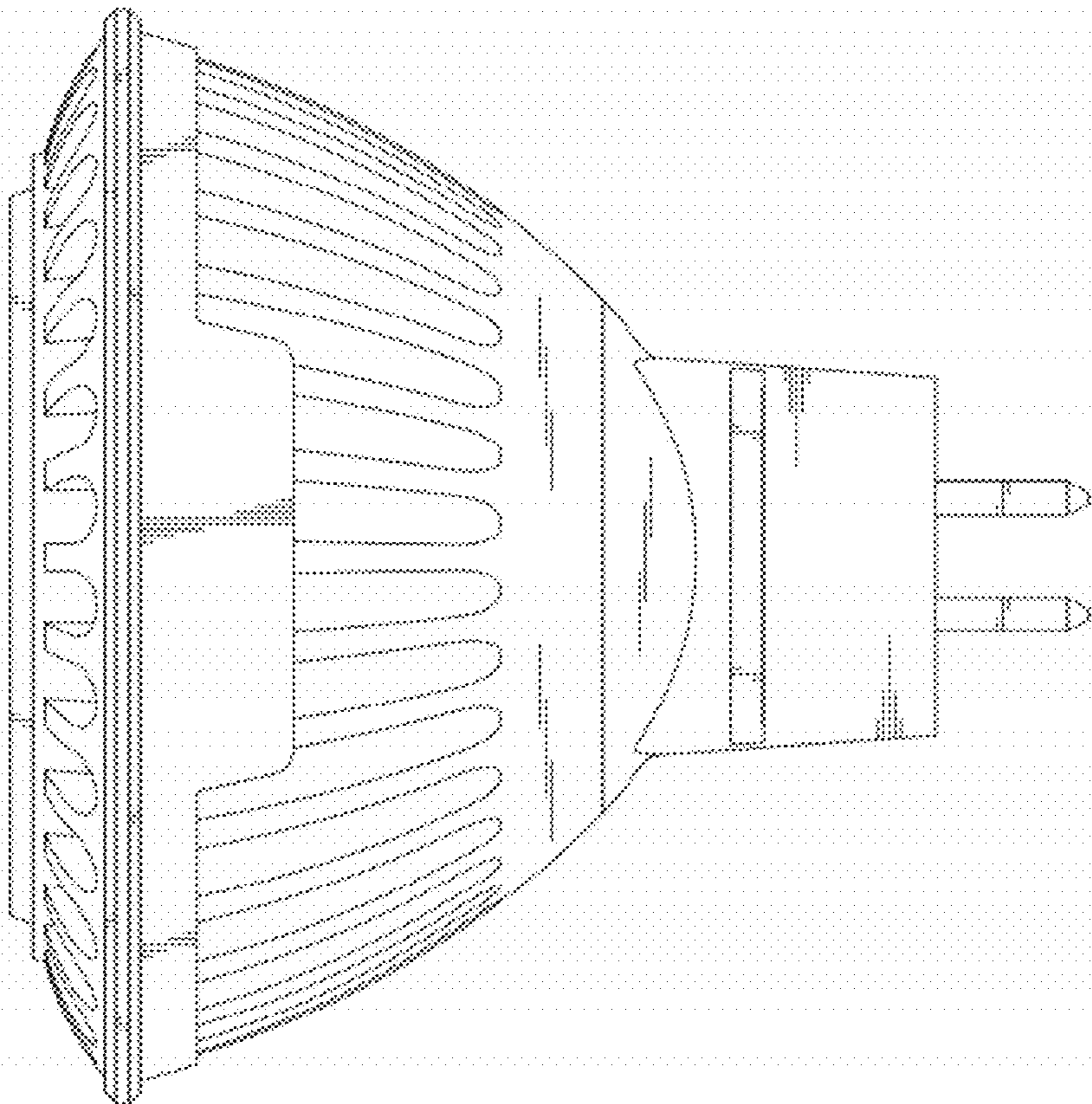




FIG. 6

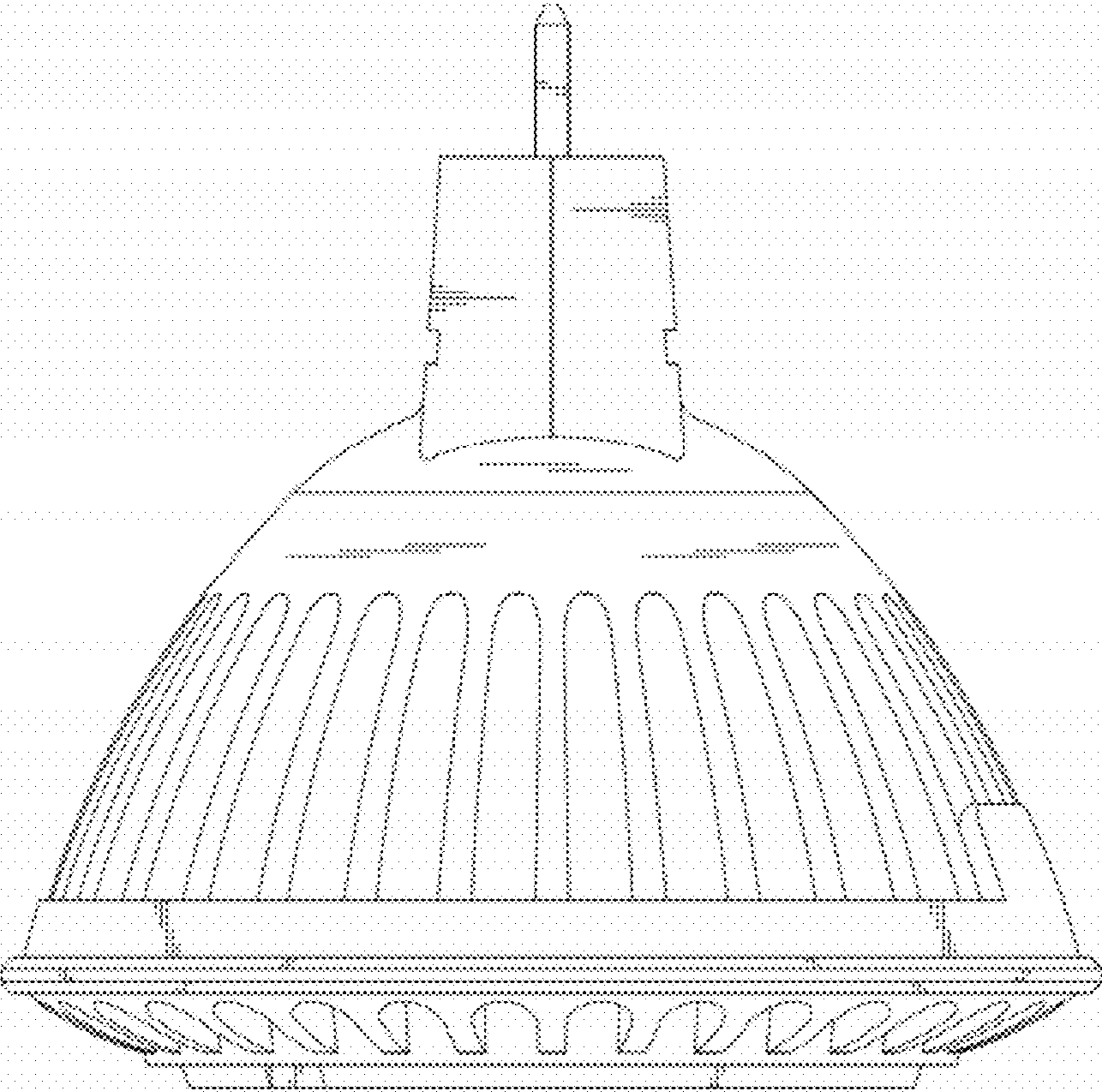


FIG. 7

