

US00D667146S

(12) **United States Design Patent**  
**Chun et al.**

(10) **Patent No.:** **US D667,146 S**

(45) **Date of Patent:** **\*\* Sep. 11, 2012**

(54) **LED LAMP**

(75) Inventors: **Jaehung Chun**, Seoul (KR); **Jaeseung Choi**, Seoul (KR); **Wonho Jin**, Seoul (KR)

(73) Assignee: **LG Electronics Inc.**, Seoul (KR)

(\*\*) Term: **14 Years**

(21) Appl. No.: **29/409,836**

(22) Filed: **Dec. 29, 2011**

(30) **Foreign Application Priority Data**

Jul. 21, 2011 (KR) ..... 30-2011-0030519

(51) **LOC (9) Cl.** ..... **26-04**

(52) **U.S. Cl.** ..... **D26/2**

(58) **Field of Classification Search** ..... D26/1-4;  
313/313, 315, 316, 317, 318, 493; 315/52,  
315/53, 56, 57, 58

See application file for complete search history.

(56) **References Cited**

U.S. PATENT DOCUMENTS

D541,957 S *	5/2007	Wang	.....	D26/2
D593,223 S *	5/2009	Komar	.....	D26/2
D610,274 S *	2/2010	Cho	.....	D26/2
D610,722 S *	2/2010	Bi	.....	D26/2
D631,571 S *	1/2011	Bobel	.....	D26/2
D658,790 S *	5/2012	Lee	.....	D26/2

\* cited by examiner

*Primary Examiner* — Marcus Jackson

(74) *Attorney, Agent, or Firm* — Morgan, Lewis & Bockius LLP

(57) **CLAIM**

The ornamental design for a LED lamp, a shown and described.

**DESCRIPTION**

FIG. 1 is a front, right side, perspective view of a LED lamp showing our new design;  
FIG. 2 is a front view thereof;  
FIG. 3 is a rear view thereof;  
FIG. 4 is a left side view thereof;  
FIG. 5 is a right side view thereof;  
FIG. 6 is a top view thereof; and,  
FIG. 7 is a bottom view thereof.

**1 Claim, 6 Drawing Sheets**

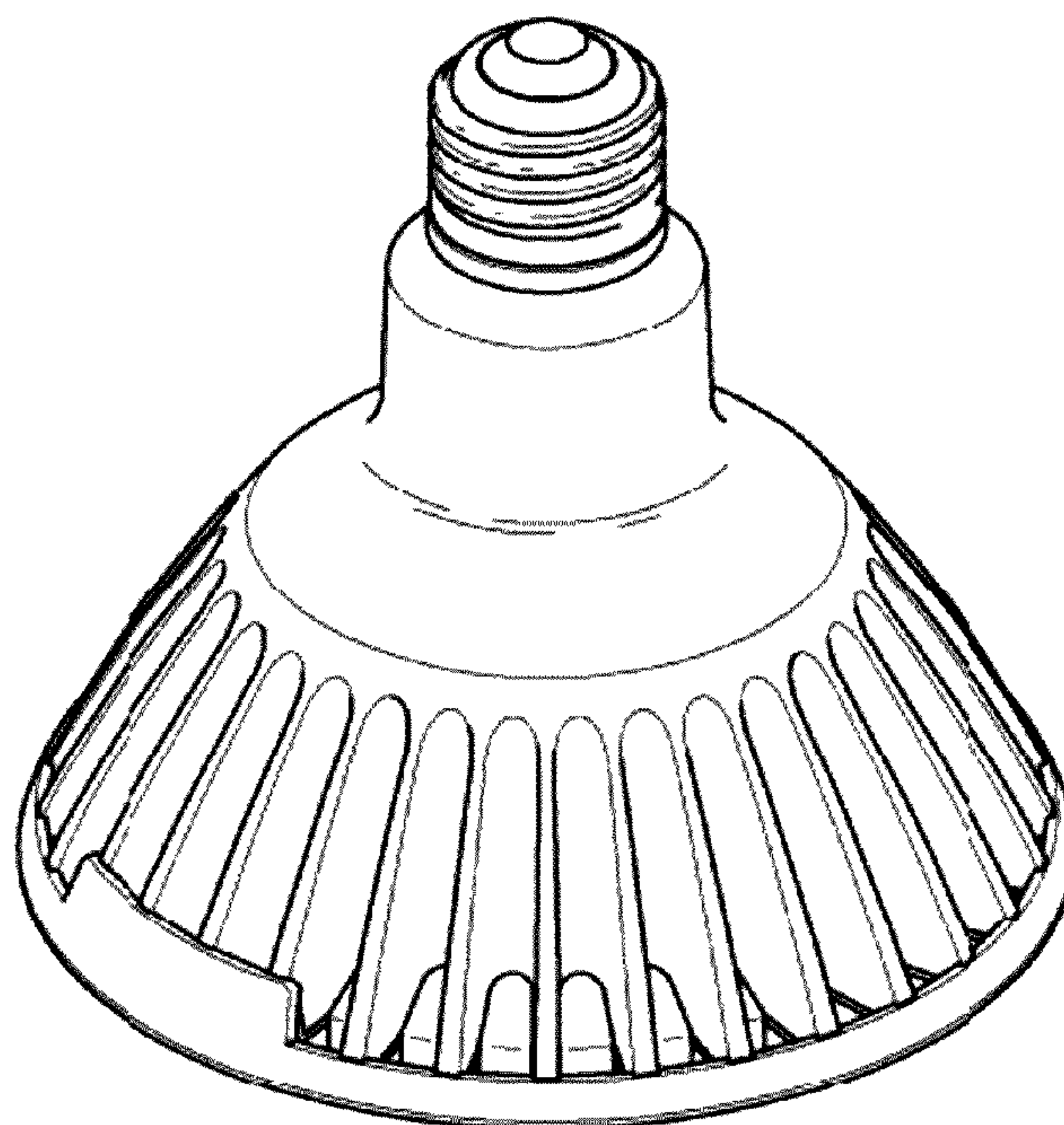


FIG. 1

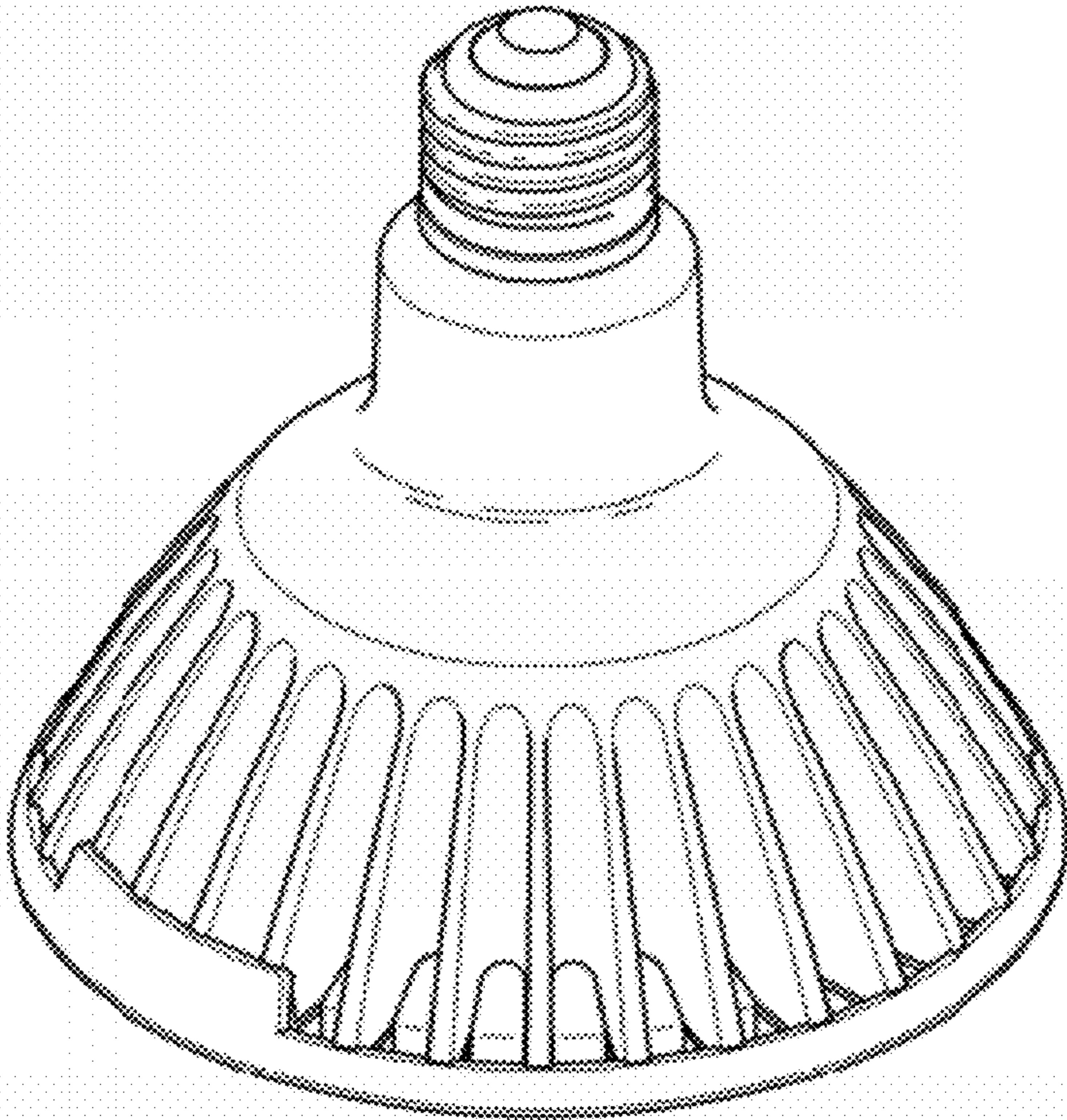


FIG. 2

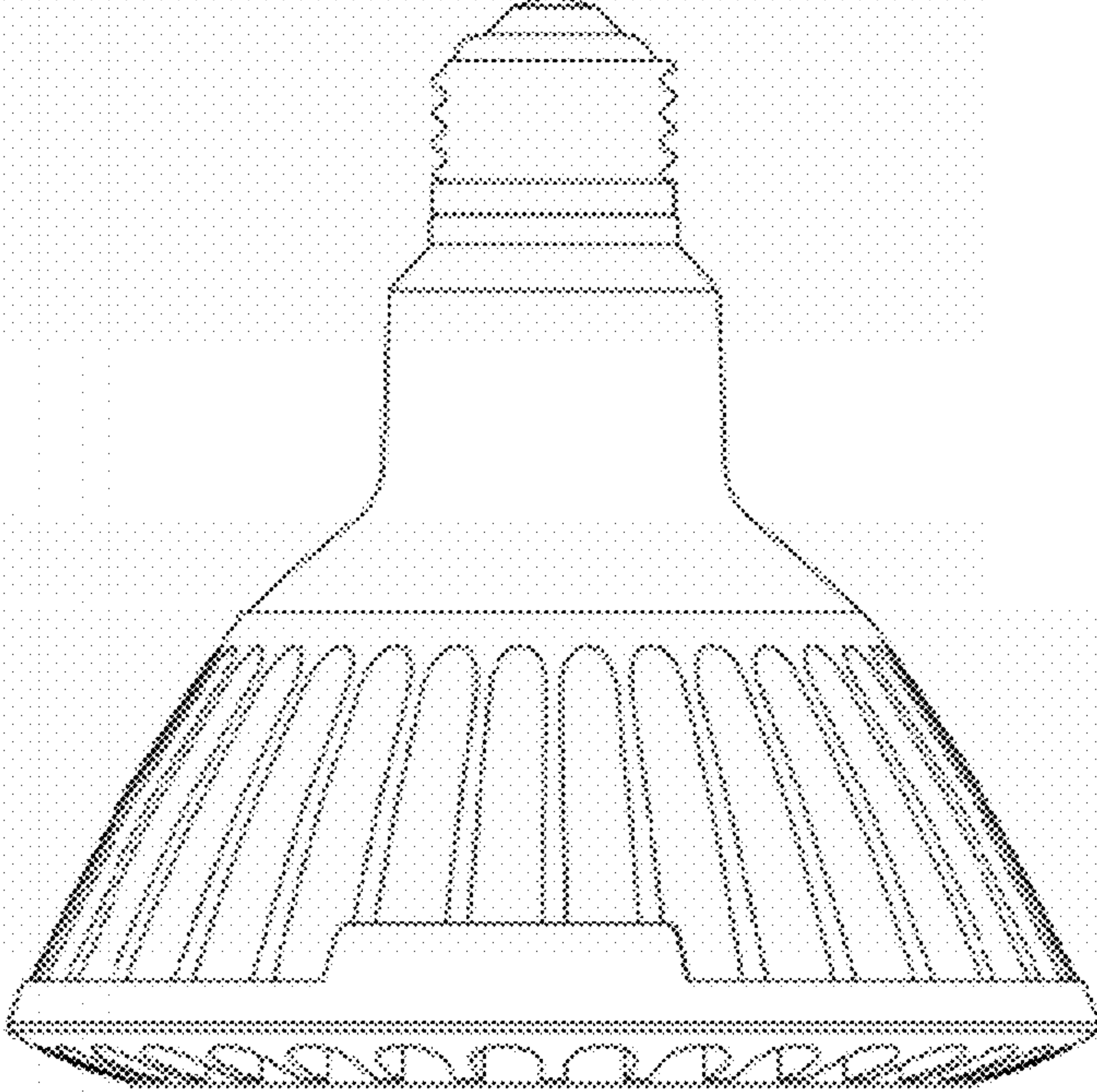




FIG. 3

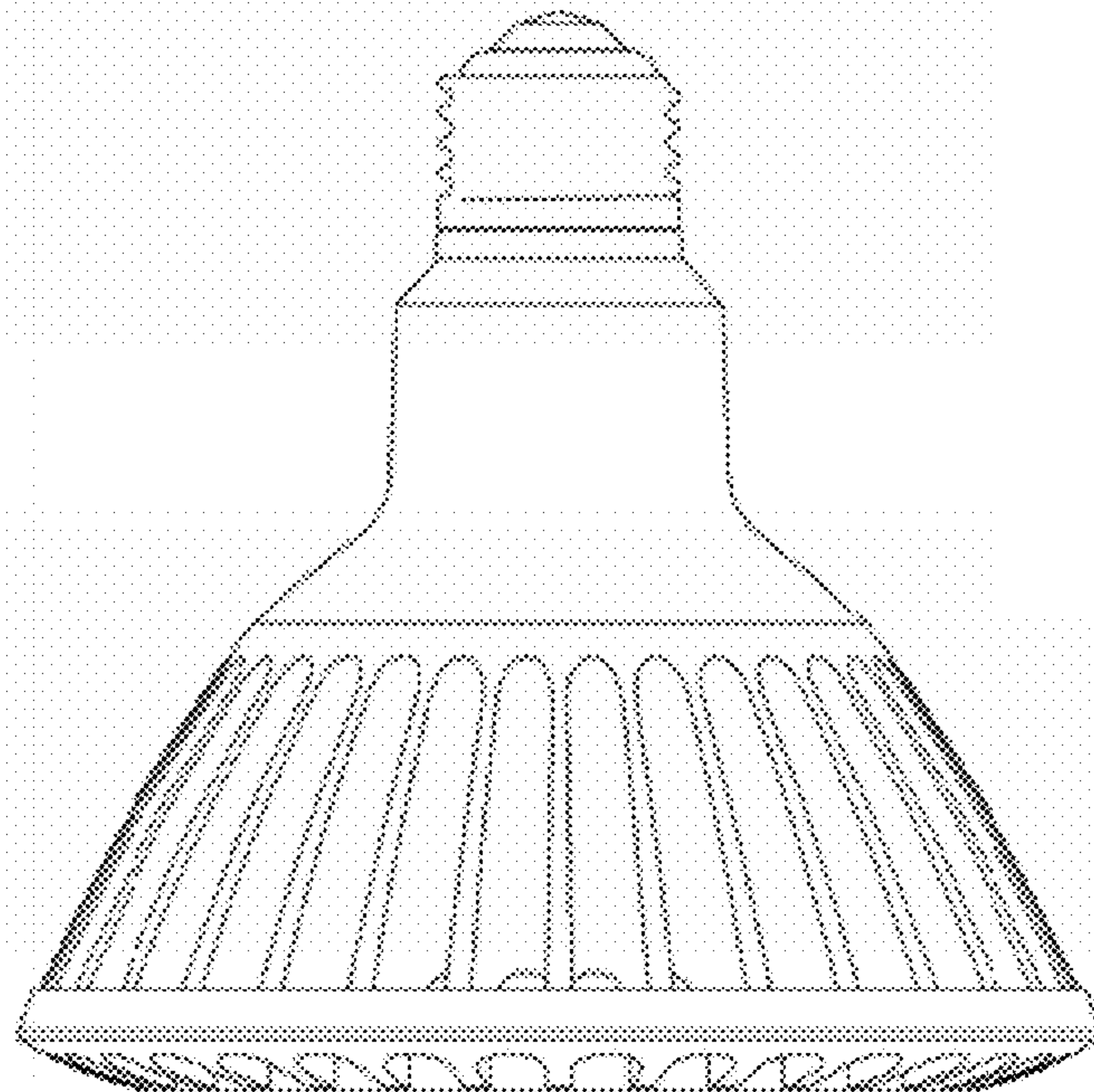


FIG. 4

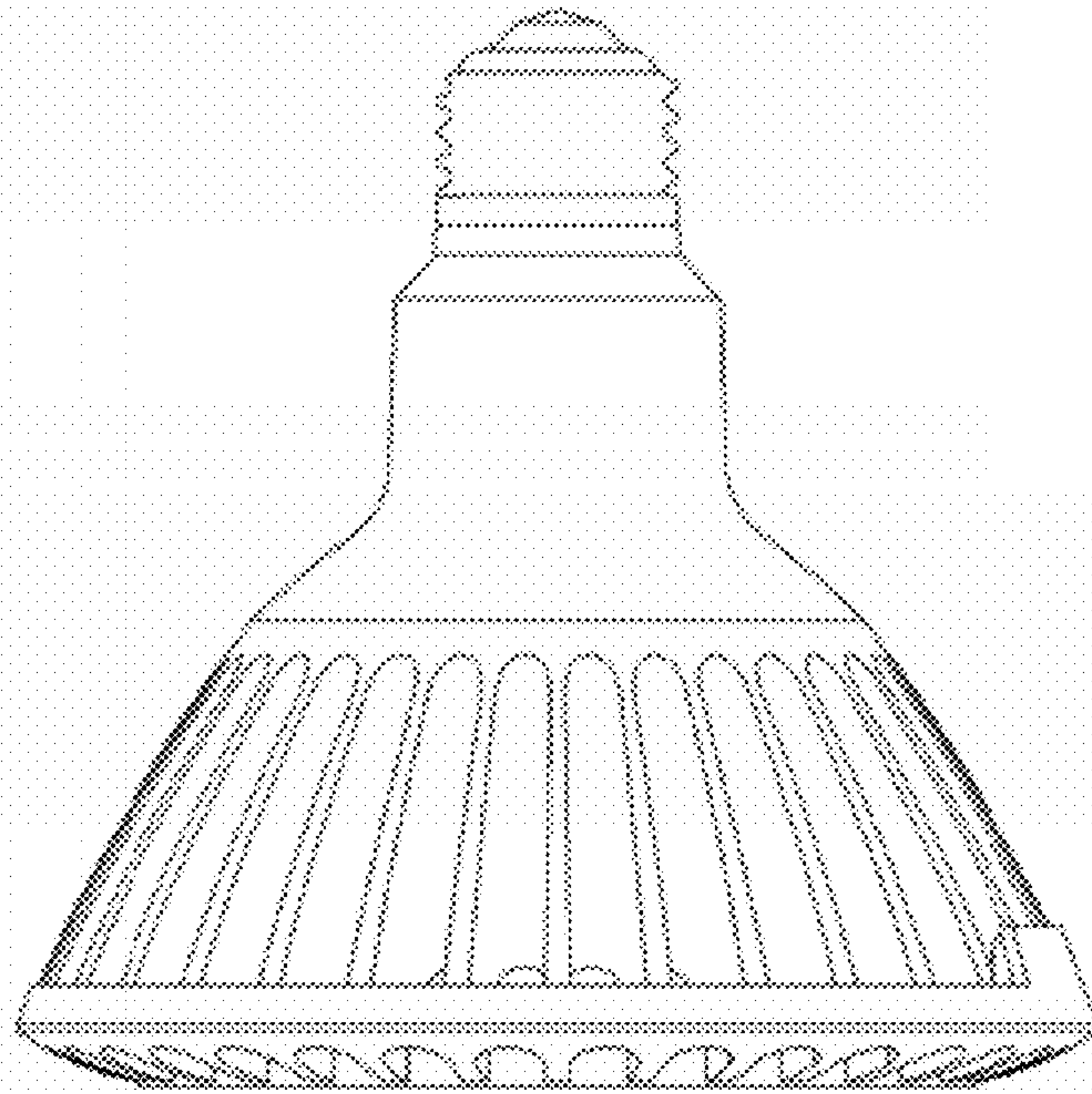


FIG. 5

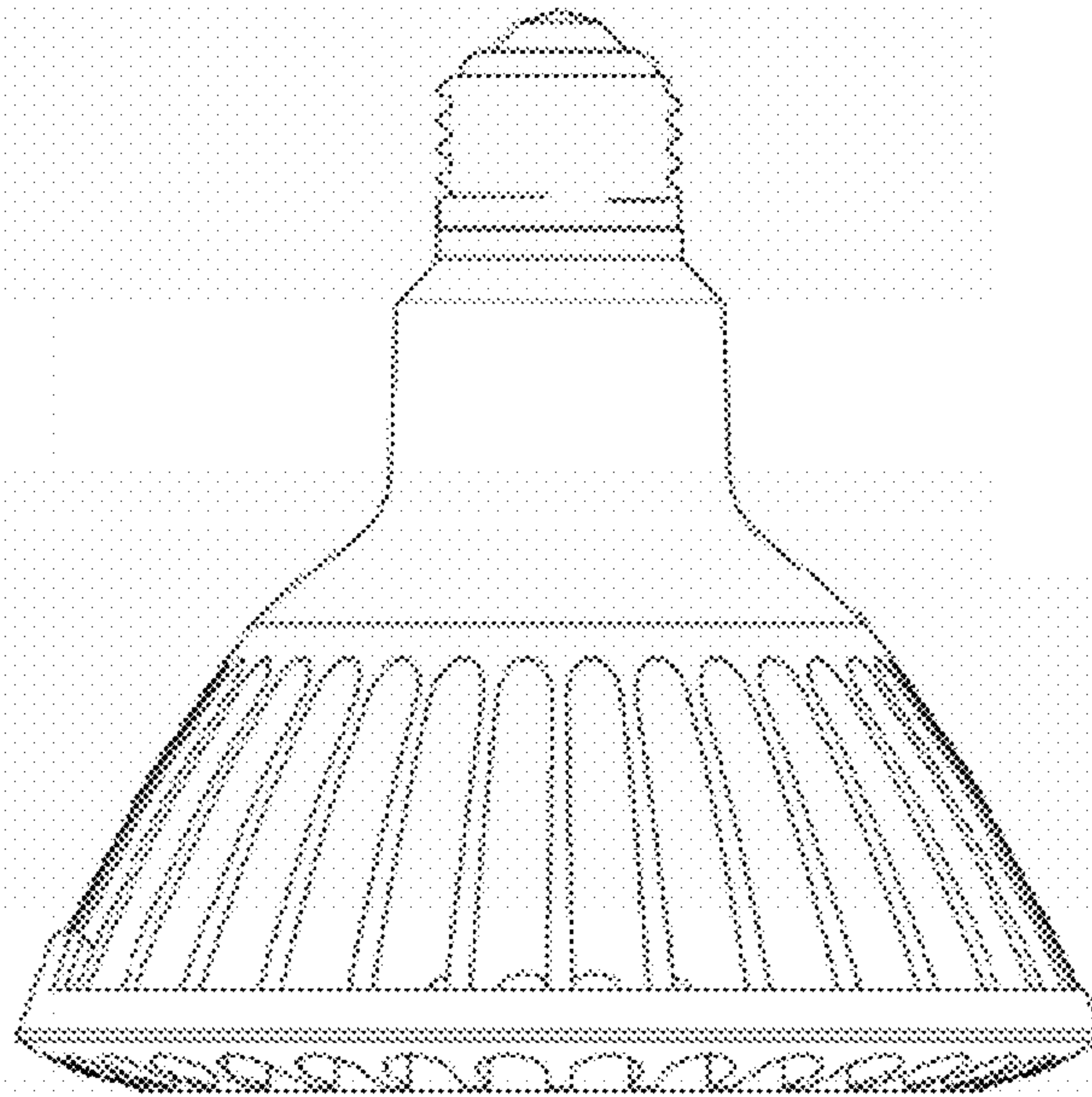




FIG. 6

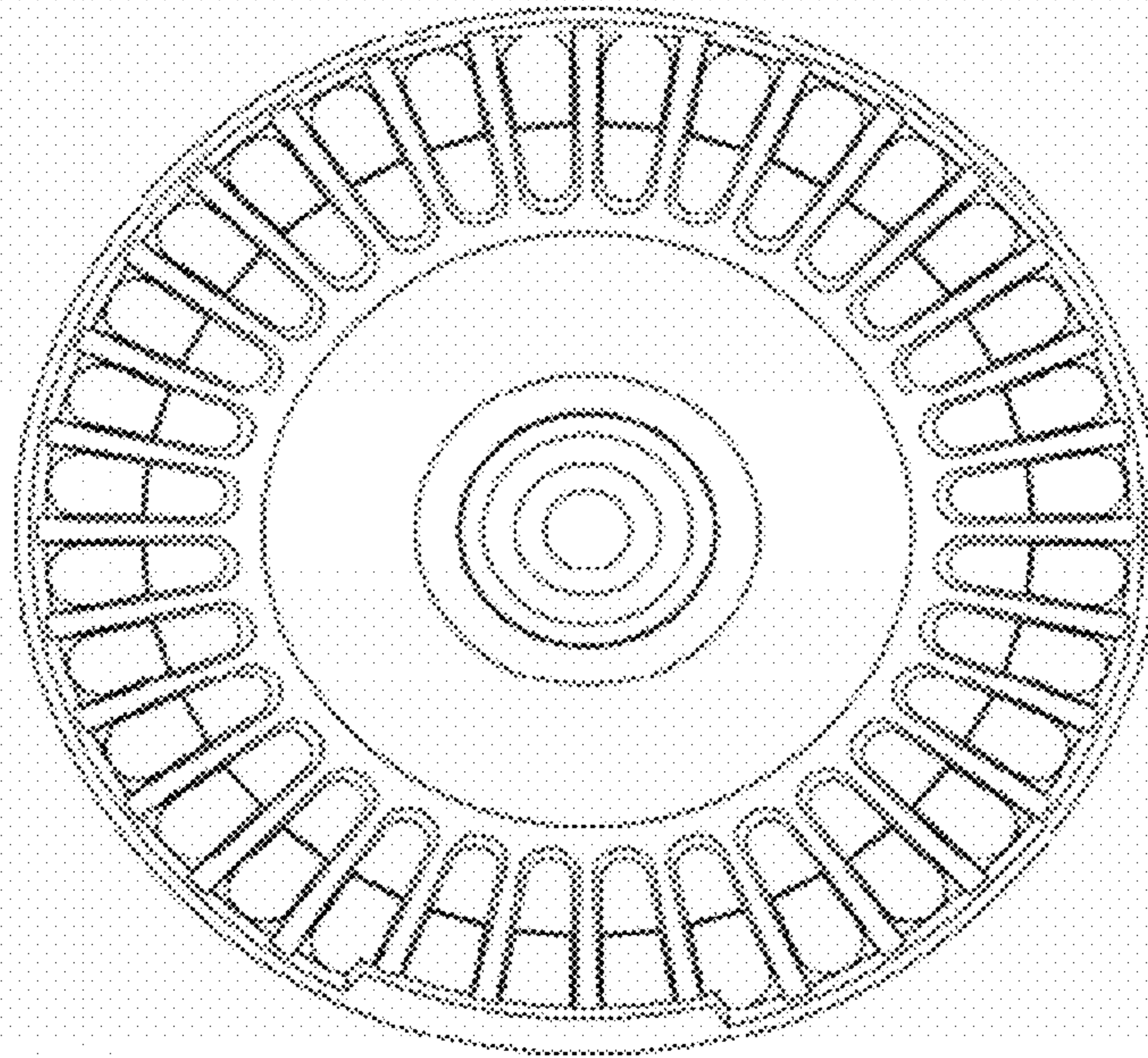


FIG. 7

