

US00D667144S

(12) **United States Design Patent**
Else

(10) **Patent No.:** **US D667,144 S**

(45) **Date of Patent:** **** Sep. 11, 2012**

(54) **GROUND PROTECTION PANEL**

(75) **Inventor:** **Robert Arthur Else**, Castle Donington (GB)

(73) **Assignee:** **Terraplas PLC**, Castle Donington (GB)

(**) **Term:** **14 Years**

(21) **Appl. No.:** **29/393,458**

(22) **Filed:** **Jun. 3, 2011**

(51) **LOC (9) Cl.** **25-01**

(52) **U.S. Cl.** **D25/163; D25/158**

(58) **Field of Classification Search** D25/158,
D25/163; 404/34, 35, 19; 51/177, 574, 578,
51/588.1, 403.1

See application file for complete search history.

(56) **References Cited**

U.S. PATENT DOCUMENTS

5,364,204	A	11/1994	MacLeod	
5,992,106	A *	11/1999	Carling et al.	52/177
D447,813	S	9/2001	Else	
D456,533	S *	4/2002	Moller, Jr.	D25/163
6,662,508	B1	12/2003	Else	
D516,737	S *	3/2006	Moller, Jr.	D25/163
2007/0006544	A1 *	1/2007	Washburn	52/588.1
2009/0031658	A1 *	2/2009	Moller et al.	52/403.1

* cited by examiner

Primary Examiner — Doris Clark

(74) *Attorney, Agent, or Firm* — Chernoff, Vilhauer, McClung & Stenzel

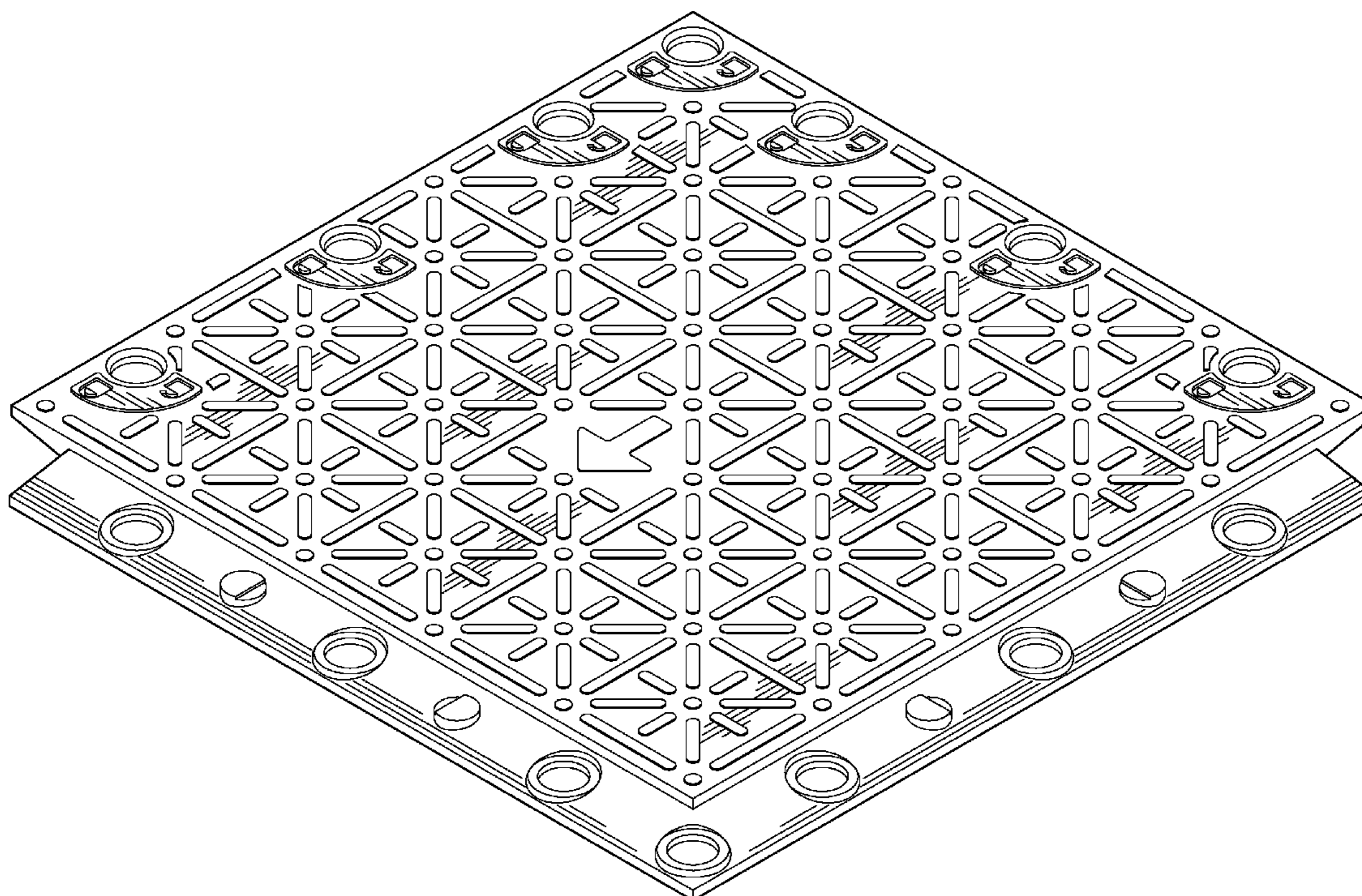
(57) **CLAIM**

The ornamental design for a ground protection panel, as shown and described.

DESCRIPTION

FIG. 1 is a top perspective view of a floor panel component of a ground protection panel showing my new design, FIG. 2 is a top perspective of the floor panel of a ground protection panel and also illustrates part of a camlock assembly fitted in holes in the margins of the floor panel, FIG. 3 is a bottom perspective view of the floor panel component of a ground protection panel, FIG. 4 is a bottom perspective view of an infill panel component of a ground protection panel showing my new design, FIG. 5 is a top perspective view of the infill component of a ground protection panel, FIG. 6 is a bottom perspective view of a ground protection panel showing my new design and illustrates the infill component seated in the floor panel component with portions of the floor panel component exposed along two margins of the infill panel component, FIG. 7 is an exploded perspective view from above of a bolt assembly of a ground protection panel that is used to secure adjacent floor panel components together, FIG. 8 is an exploded perspective view from below of the bolt assembly of a ground protection panel, FIG. 9 is an exploded perspective view from above of a camlock assembly of a ground protection panel that is used to secure adjacent floor panel components together; and, FIG. 10 is an exploded perspective view from below of the camlock assembly of a ground protection panel.

1 Claim, 8 Drawing Sheets



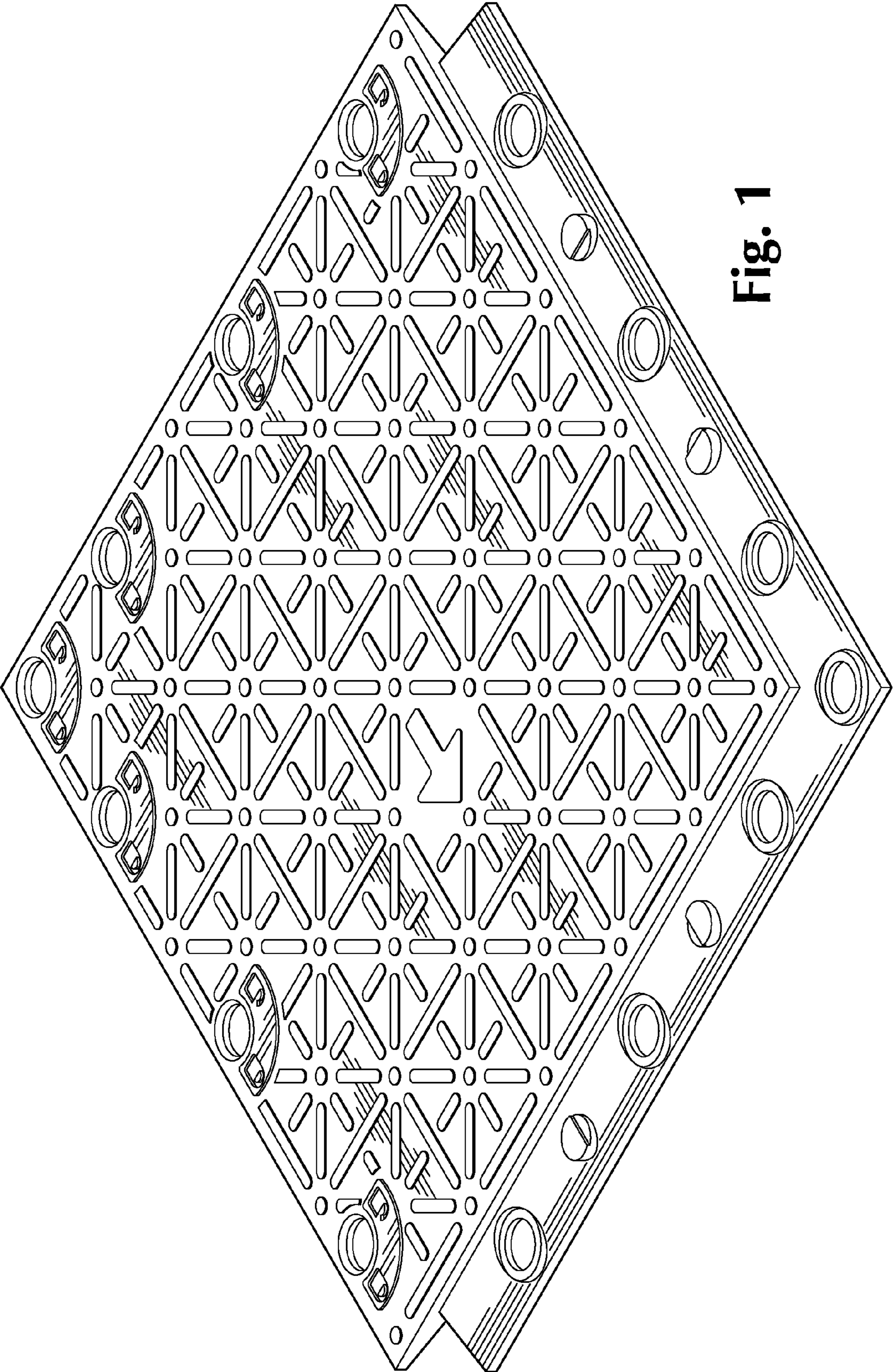


Fig. 1

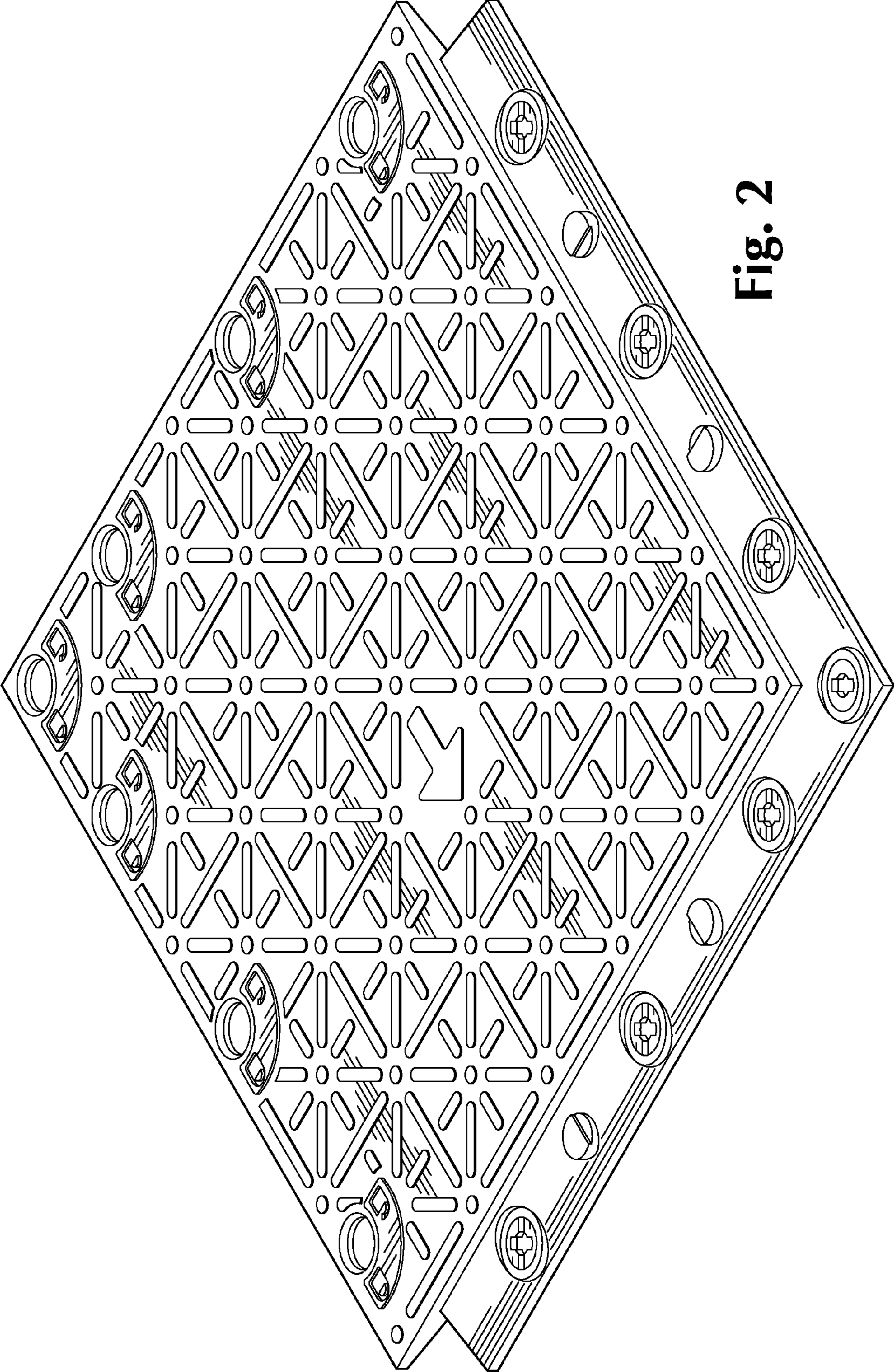


Fig. 2

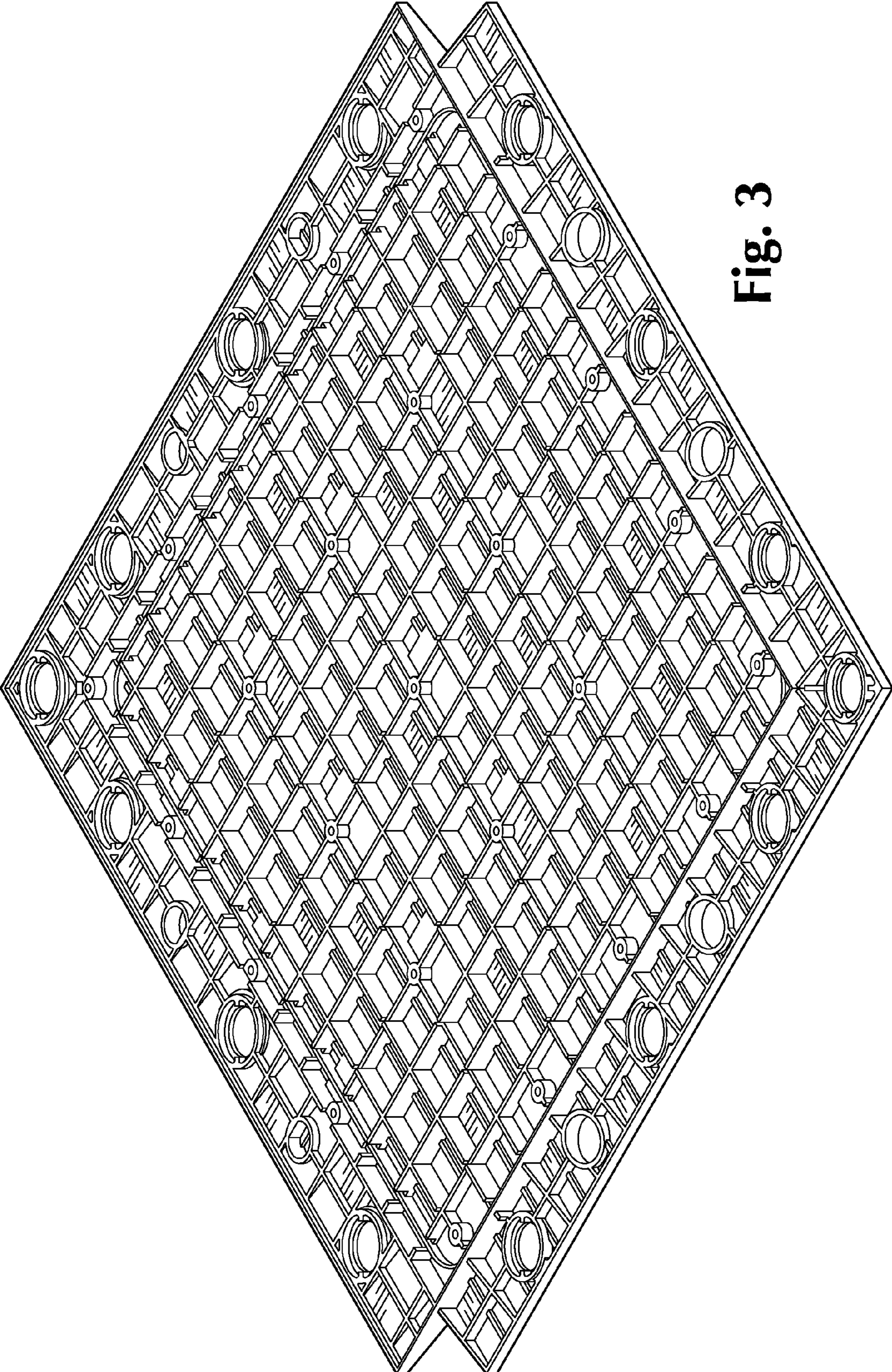


Fig. 3

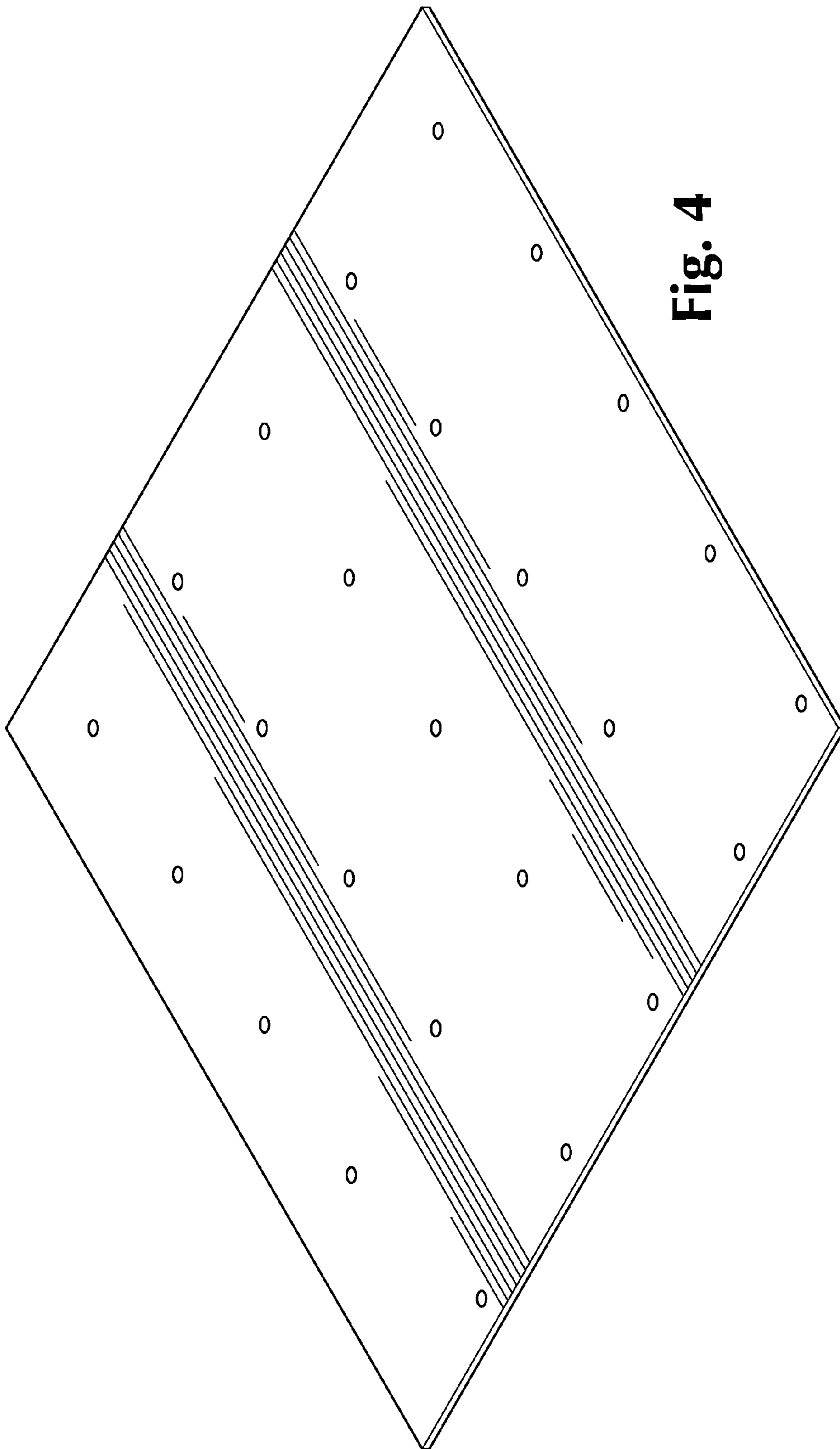


Fig. 4

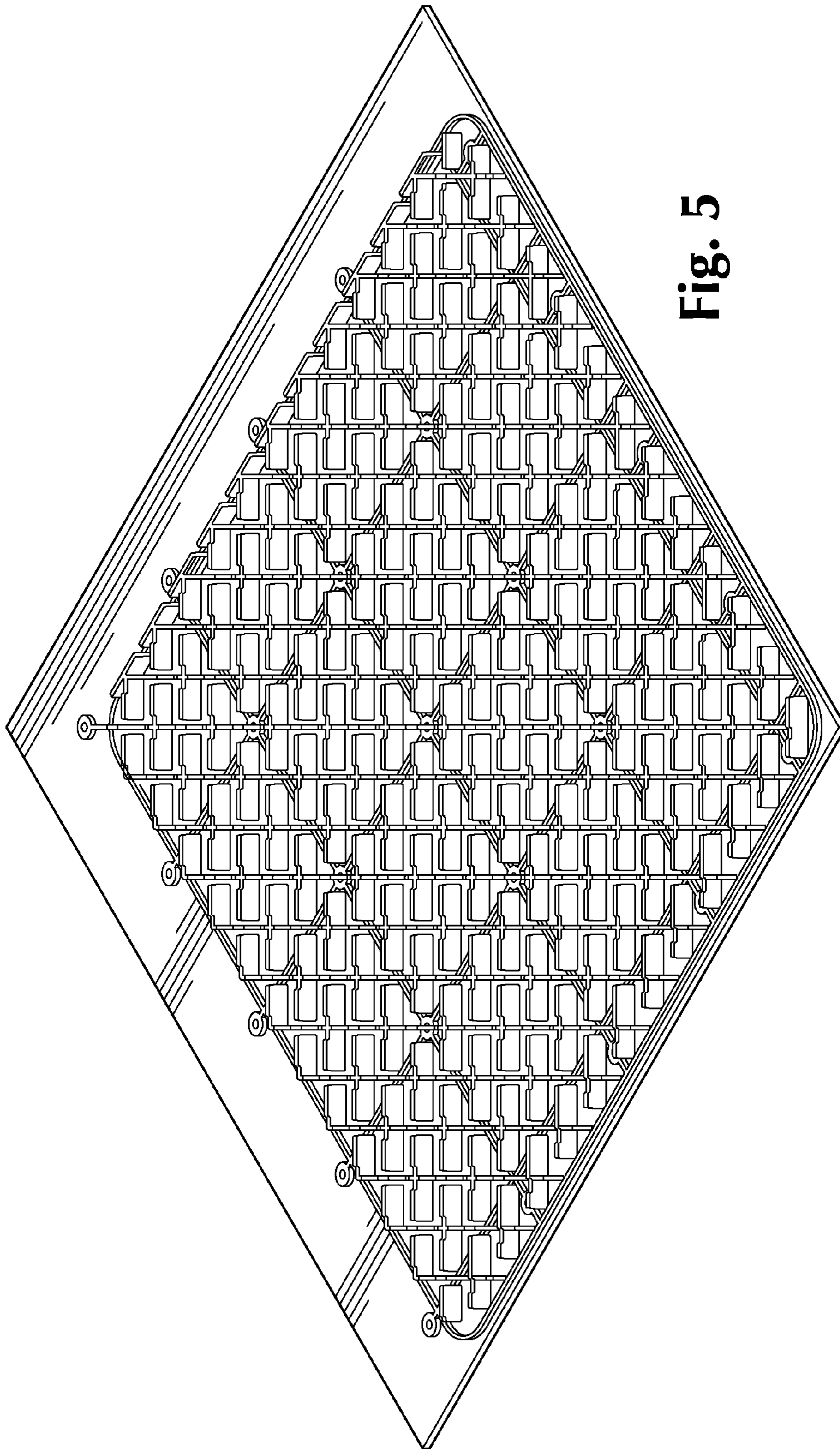


Fig. 5

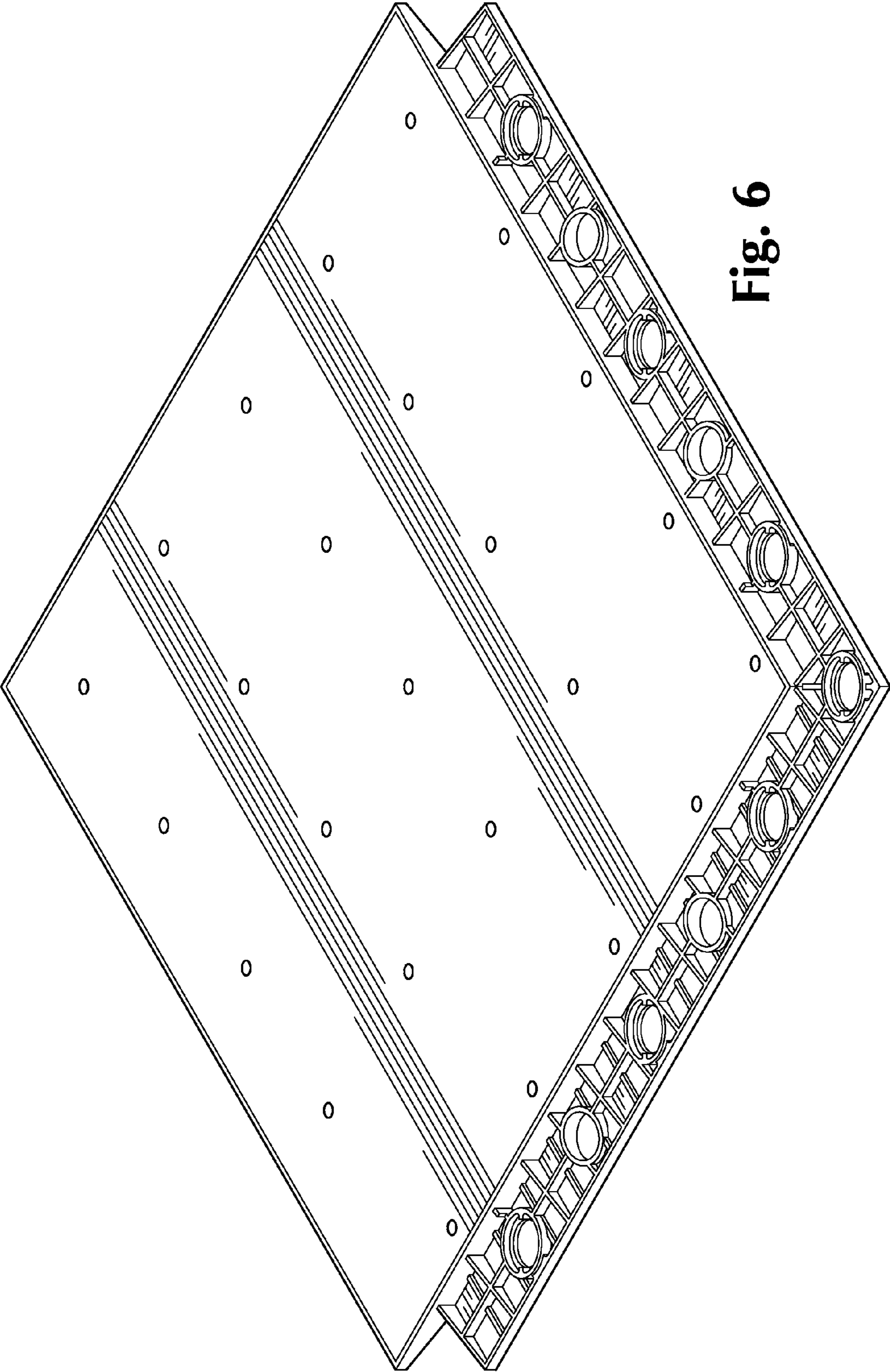


Fig. 6

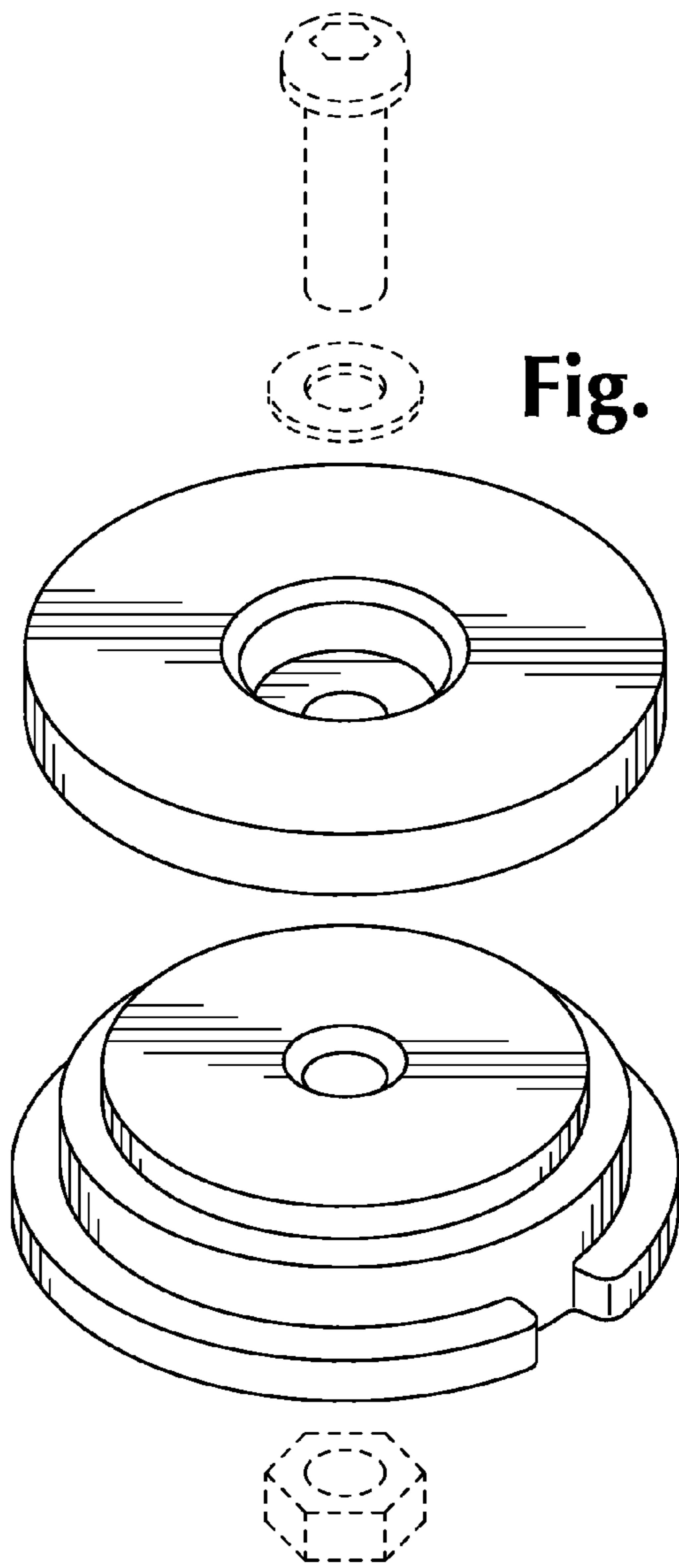


Fig. 7

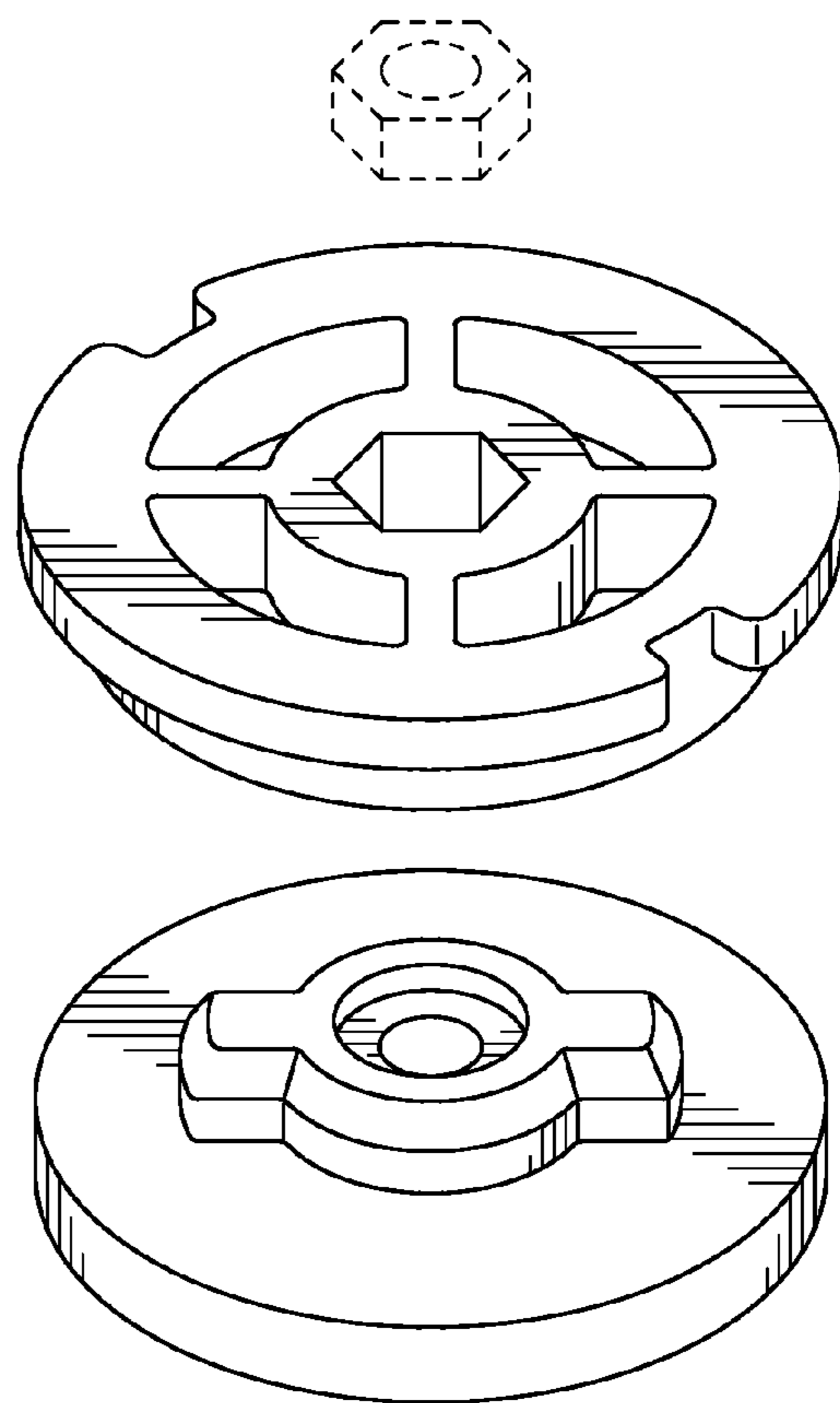
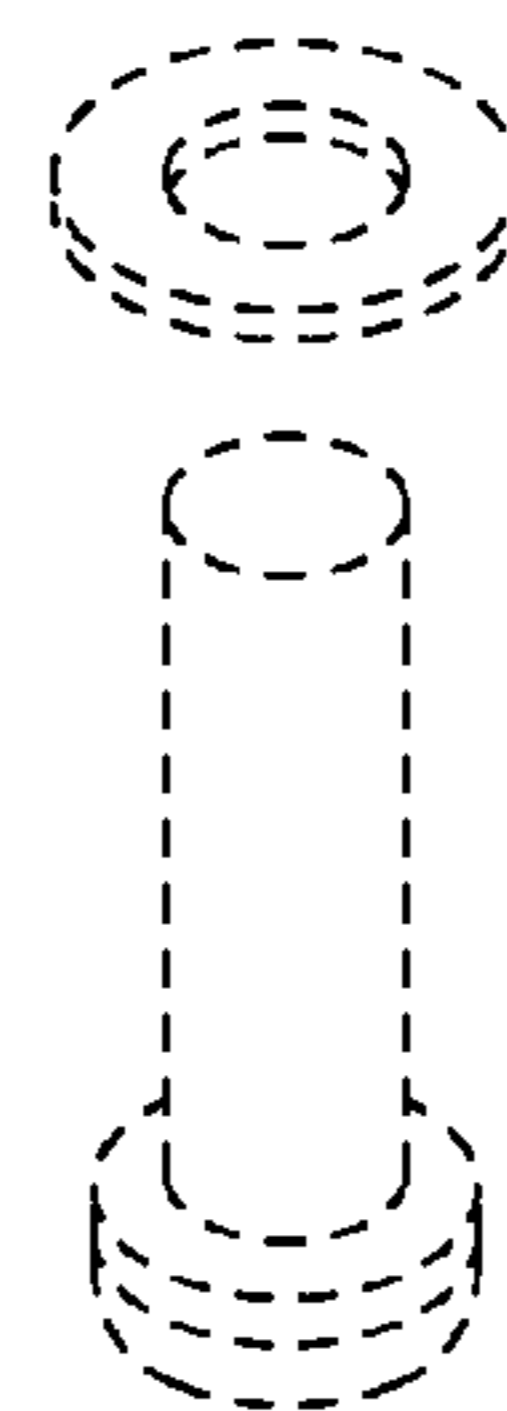


Fig. 8



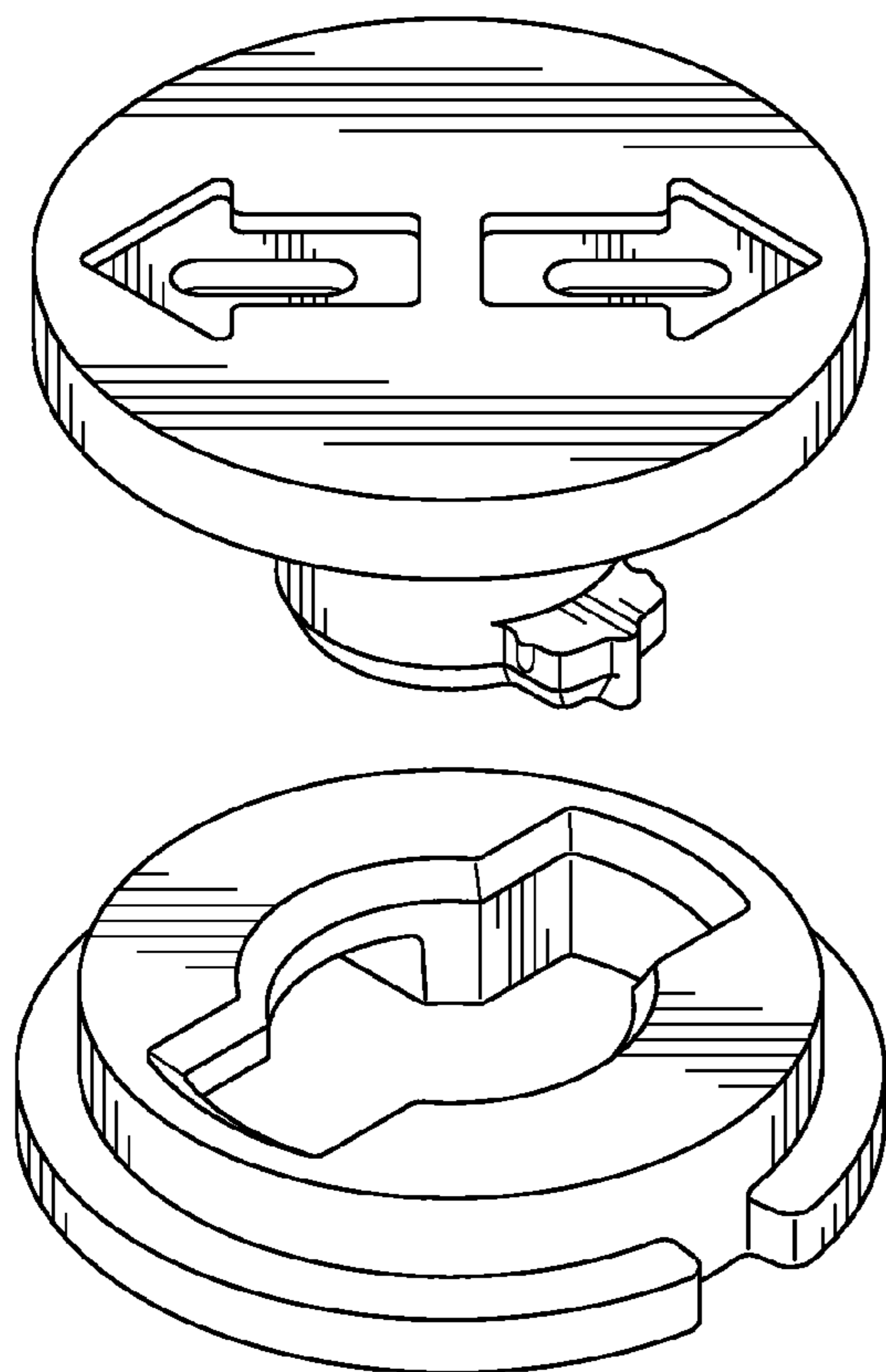


Fig. 9

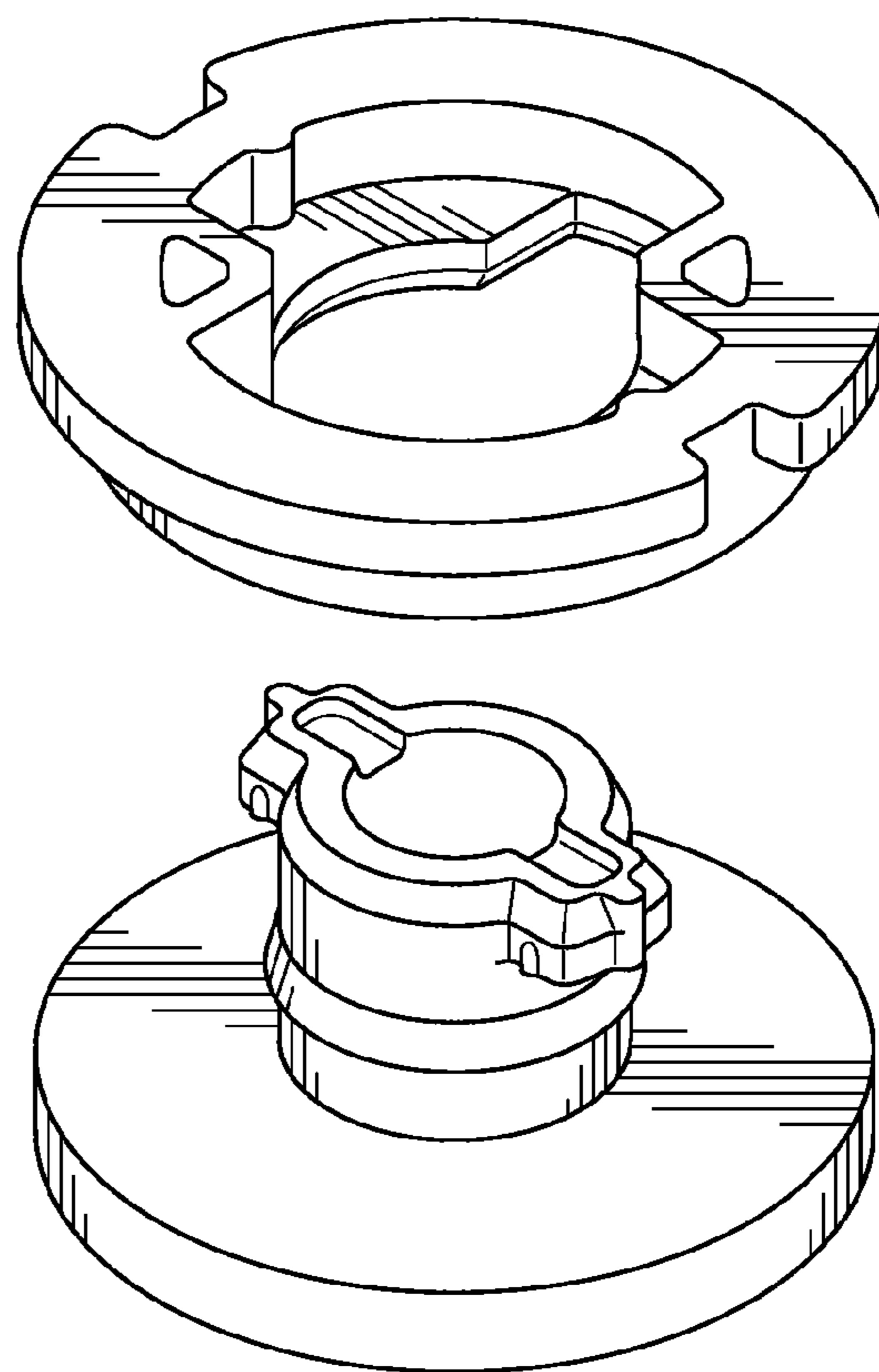


Fig. 10