

US00D667143S

(12) **United States Design Patent**
Swanson

(10) **Patent No.:** **US D667,143 S**

(45) **Date of Patent:** **** Sep. 11, 2012**

(54) **DECK BOARD**

D623,315 S 9/2010 Ippolito
2003/0140581 A1* 7/2003 Ludington 52/177

(76) Inventor: **Charles Swanson**, Fall River, MA (US)

* cited by examiner

(**) Term: **14 Years**

Primary Examiner — Doris Clark

(21) Appl. No.: **29/399,734**

(74) *Attorney, Agent, or Firm* — QuickPatents, Inc.; Kevin Prince

(22) Filed: **Aug. 17, 2011**

(57) **CLAIM**

(51) **LOC (9) Cl.** **25-01**

I claim the ornamental design for a deck board, as shown and described.

(52) **U.S. Cl.** **D25/121**

(58) **Field of Classification Search** D25/121;
52/177, 181, 87

DESCRIPTION

See application file for complete search history.

FIG. 1 is a perspective view of a deck board, showing my new design;

(56) **References Cited**

U.S. PATENT DOCUMENTS

4,885,882	A *	12/1989	Forshee	52/177
6,233,886	B1 *	5/2001	Andres	52/177
6,401,286	B1	6/2002	Brenn		
D509,003	S *	8/2005	Stubbersfield	D25/121
7,520,092	B2	4/2009	Showers et al.		
D619,736	S	7/2010	Holman		

FIG. 2 is a front elevational view thereof, the rear elevational view being a mirror image thereof;

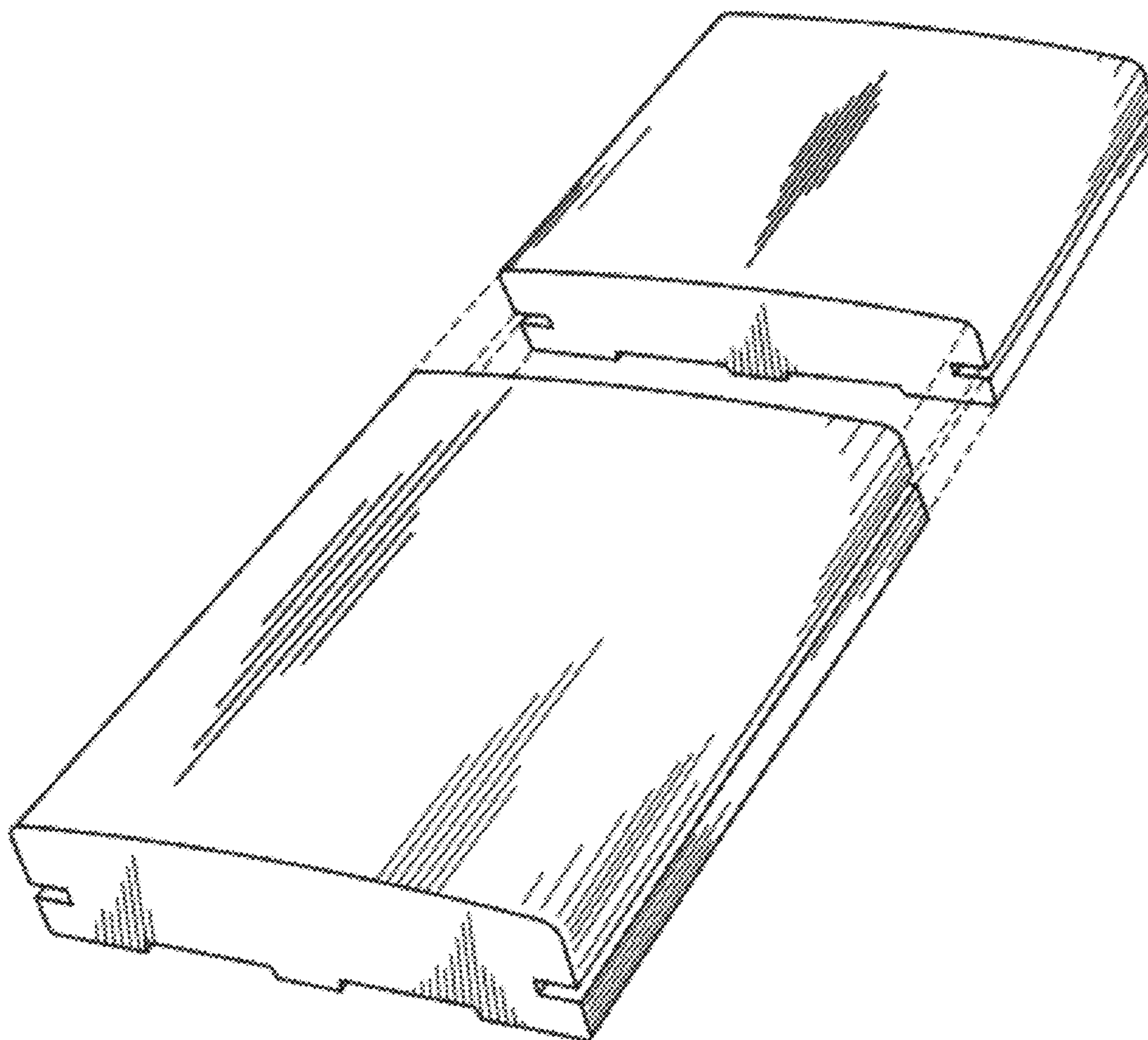
FIG. 3 is an end elevational view thereof;

FIG. 4 is a top plan view thereof; and,

FIG. 5 is a bottom plan view thereof.

The broken lines in FIGS. 1, 2, 4 and 5 depict the deck board having indeterminate length.

1 Claim, 2 Drawing Sheets



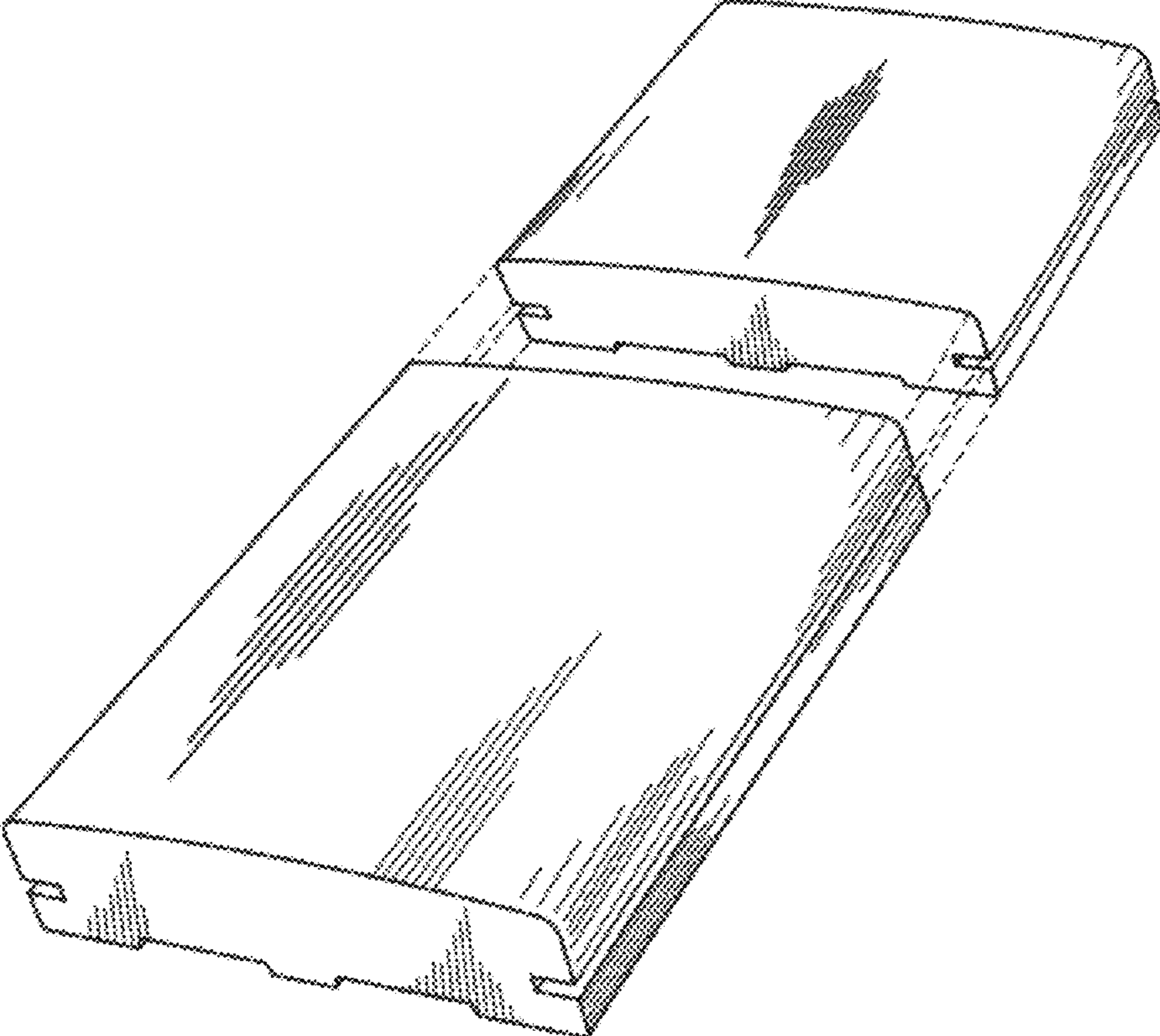


FIG. 1



FIG. 2



FIG. 3

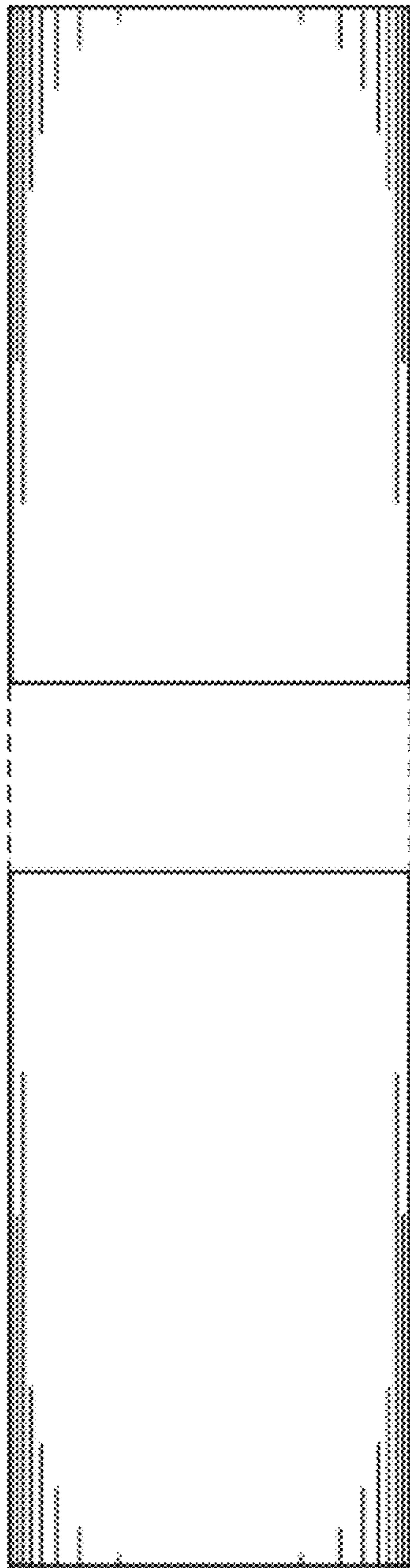


FIG. 4

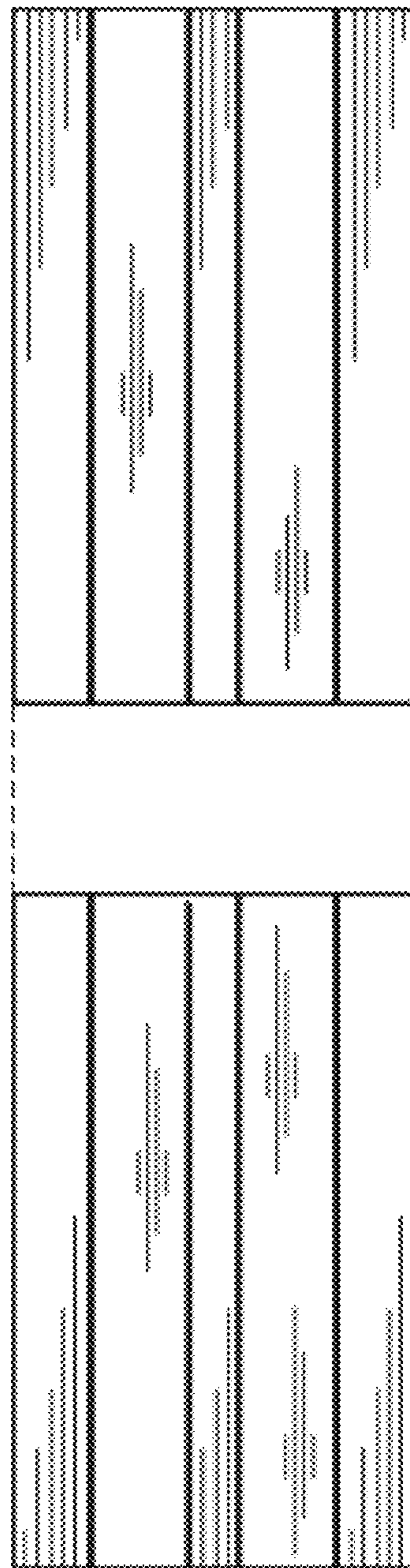


FIG. 5