



US00D667141S

(12) **United States Design Patent**
Bott

(10) **Patent No.:** **US D667,141 S**

(45) **Date of Patent:** **** Sep. 11, 2012**

(54) **ANCHORING UNIT FOR A PARAPET WALL BLOCK**

(75) Inventor: **Timothy A. Bott**, Sunfish Lake, MN (US)

(73) Assignee: **Allan Block LLC**, Bloomington, MN (US)

(**) Term: **14 Years**

(21) Appl. No.: **29/396,513**

(22) Filed: **Jun. 30, 2011**

(51) **LOC (9) Cl.** **25-01**

(52) **U.S. Cl.** **D25/113**

(58) **Field of Classification Search** D25/102-118, D25/136, 138, 140, 144, 151, 152, 153, 156-162, D25/164; D21/484-491, 499-504; 405/16, 405/284, 286; 52/503-505, 574, 575, 596-612; 404/27-42

See application file for complete search history.

(56) **References Cited**

U.S. PATENT DOCUMENTS

189,676	A *	4/1877	Adams	D25/113
3,197,930	A *	8/1965	Meyer et al.	52/378
4,380,409	A *	4/1983	O'Neill	405/273
4,474,504	A *	10/1984	Whitman et al.	405/16
D299,170	S *	12/1988	Meheen	D25/58

D300,863	S *	4/1989	McNeely	D25/113
5,688,078	A *	11/1997	Hammer	405/286
D636,897	S *	4/2011	Bott	D25/113
2010/0018146	A1 *	1/2010	Aube et al.	52/483.1

* cited by examiner

Primary Examiner — Anhdao Doan

(74) *Attorney, Agent, or Firm* — Fredrikson & Byron, P.A.

(57) **CLAIM**

I claim the ornamental design for a anchoring unit for a parapet wall block, as shown and described.

DESCRIPTION

FIG. 1 is a perspective view of the anchoring unit for a parapet wall block of my design shown in its ordinary environment when in use, assembled together with a corresponding facing unit for a parapet wall block;

FIG. 2 is a perspective view of the anchoring unit for a parapet wall block of my design;

FIG. 3 is a top plan view thereof, the bottom plan view being a mirror image;

FIG. 4 is a front elevation view thereof;

FIG. 5 is a rear elevation view thereof; and,

FIG. 6 is a left end view thereof, the right end view being a mirror image.

Where included, broken lines showing environment or structure are for illustrative purposes only and form no part of the claimed design.

1 Claim, 2 Drawing Sheets

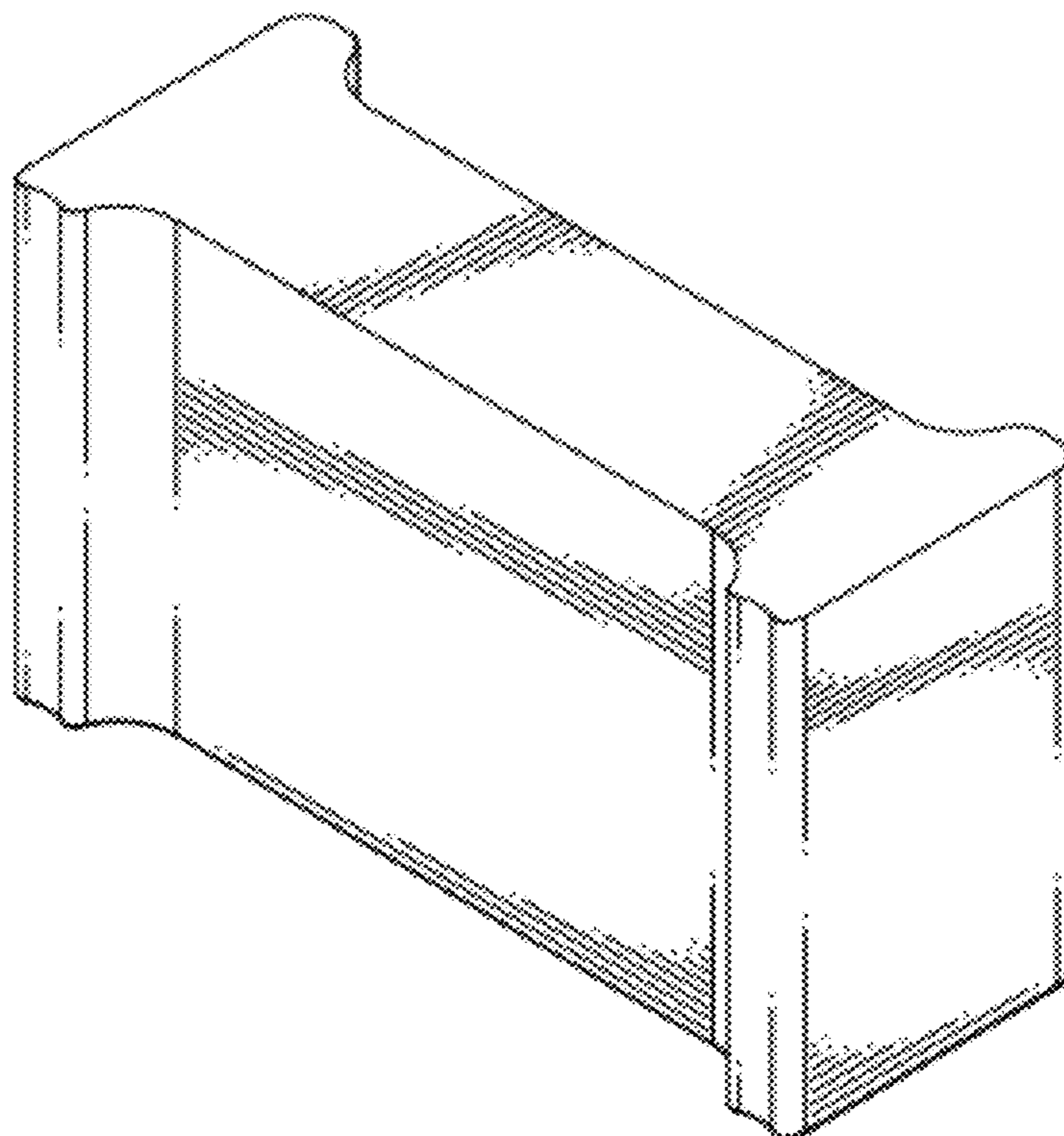


FIG. 1

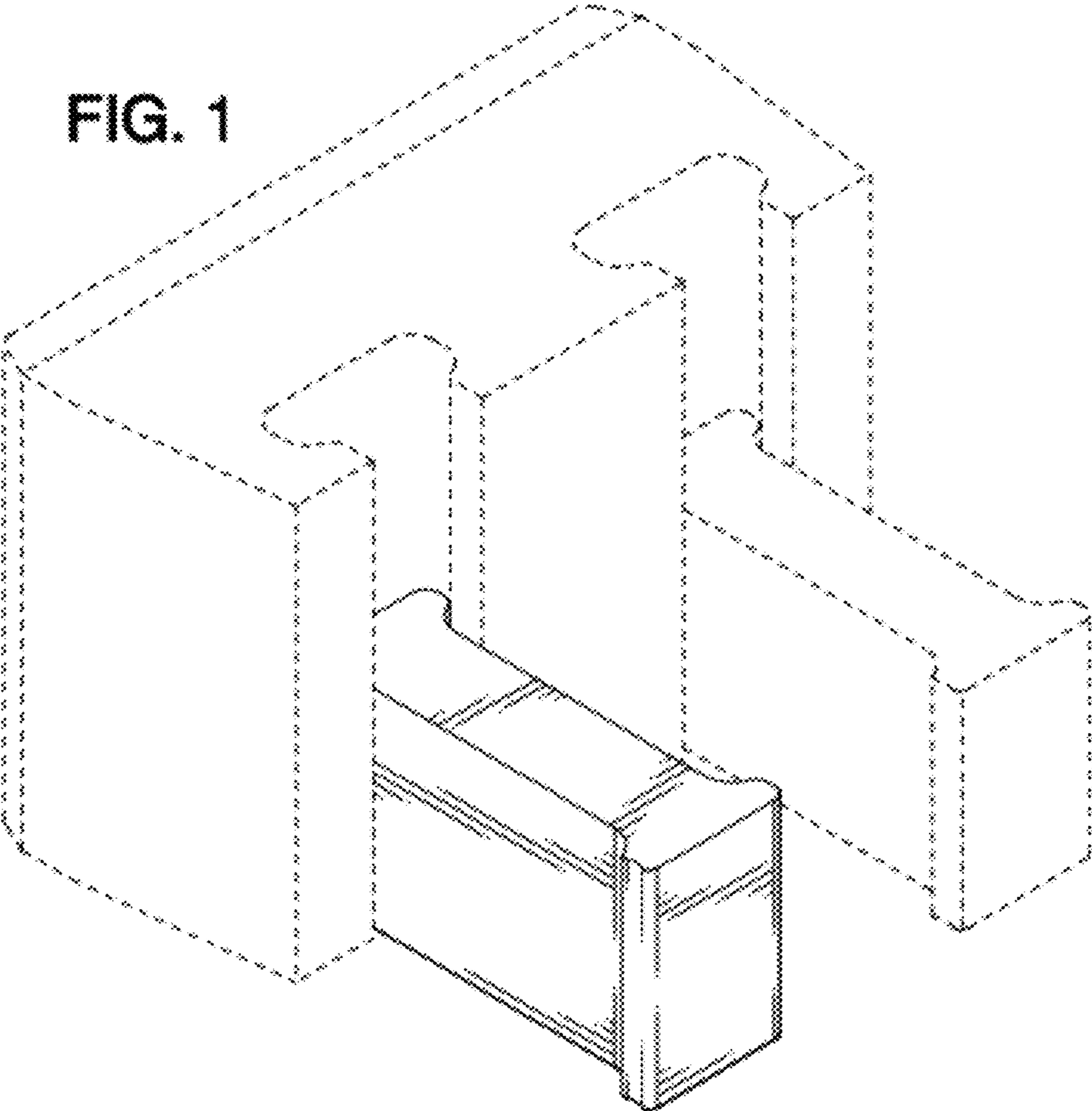
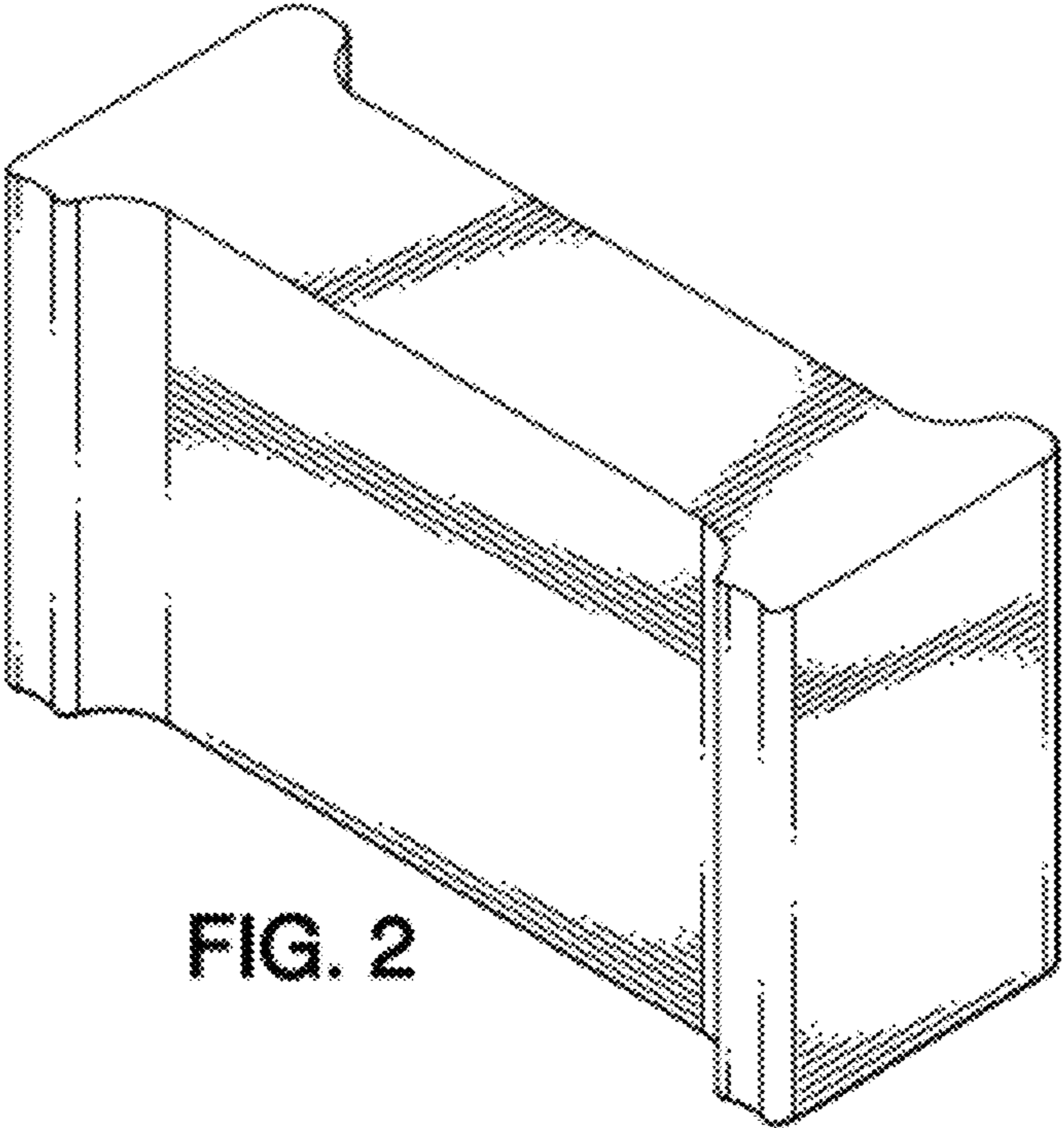


FIG. 2



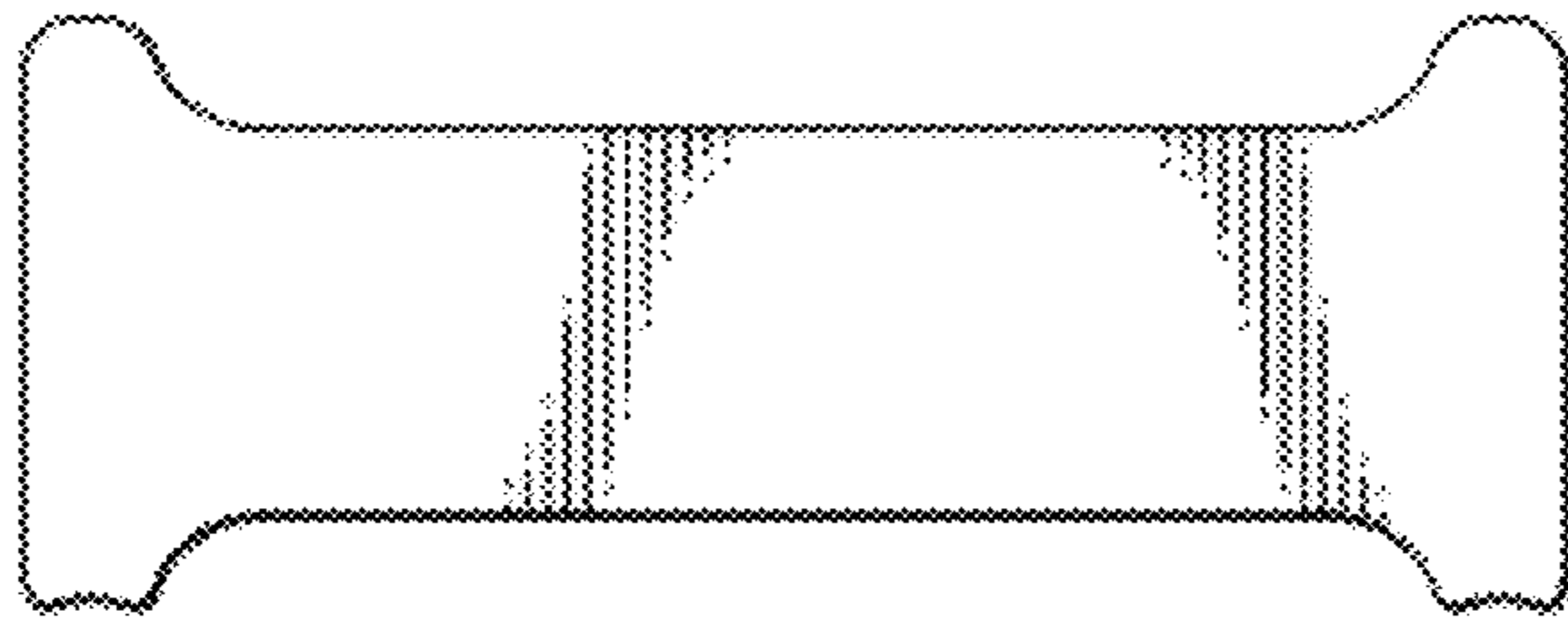


FIG. 3

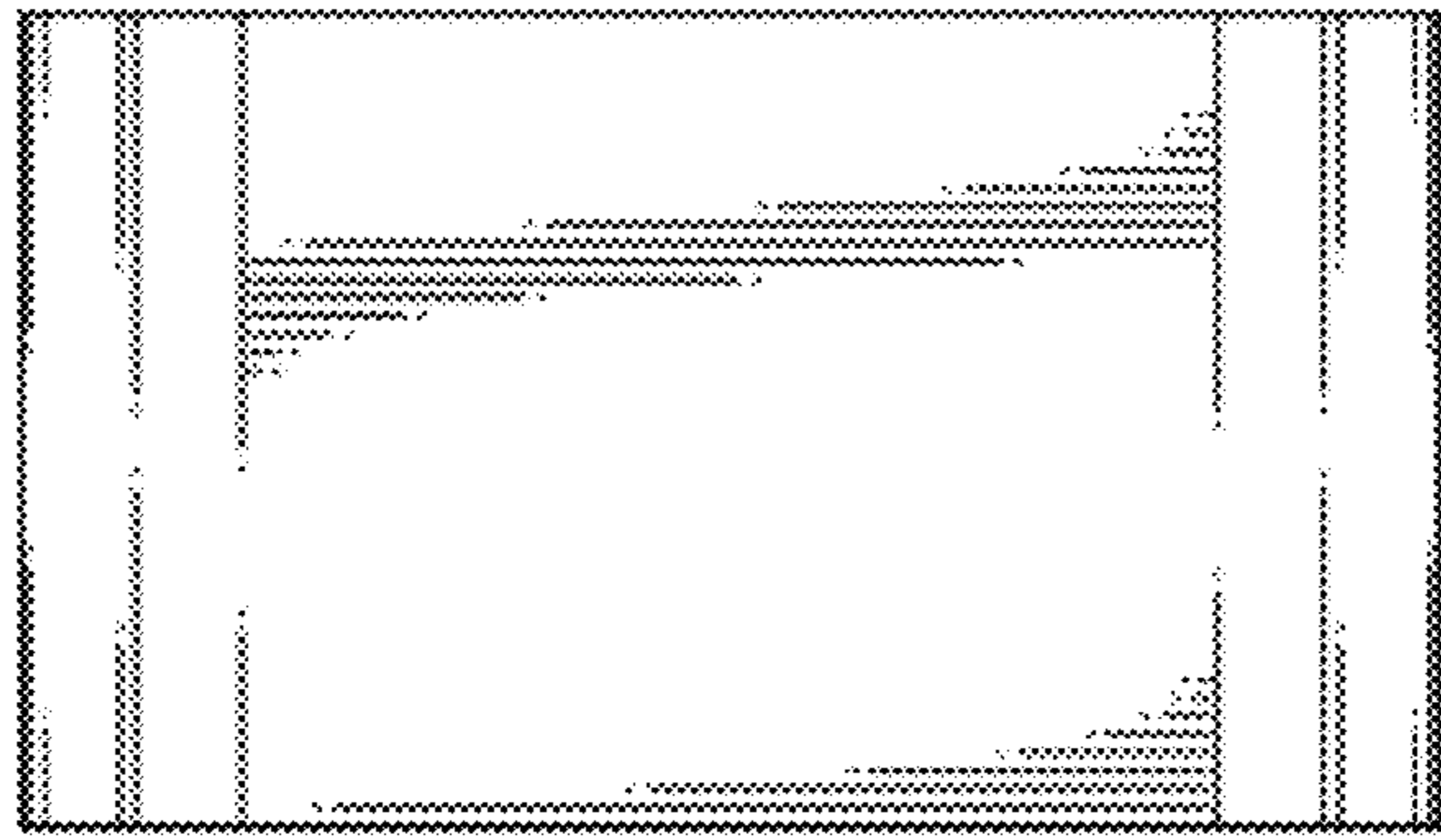


FIG. 4

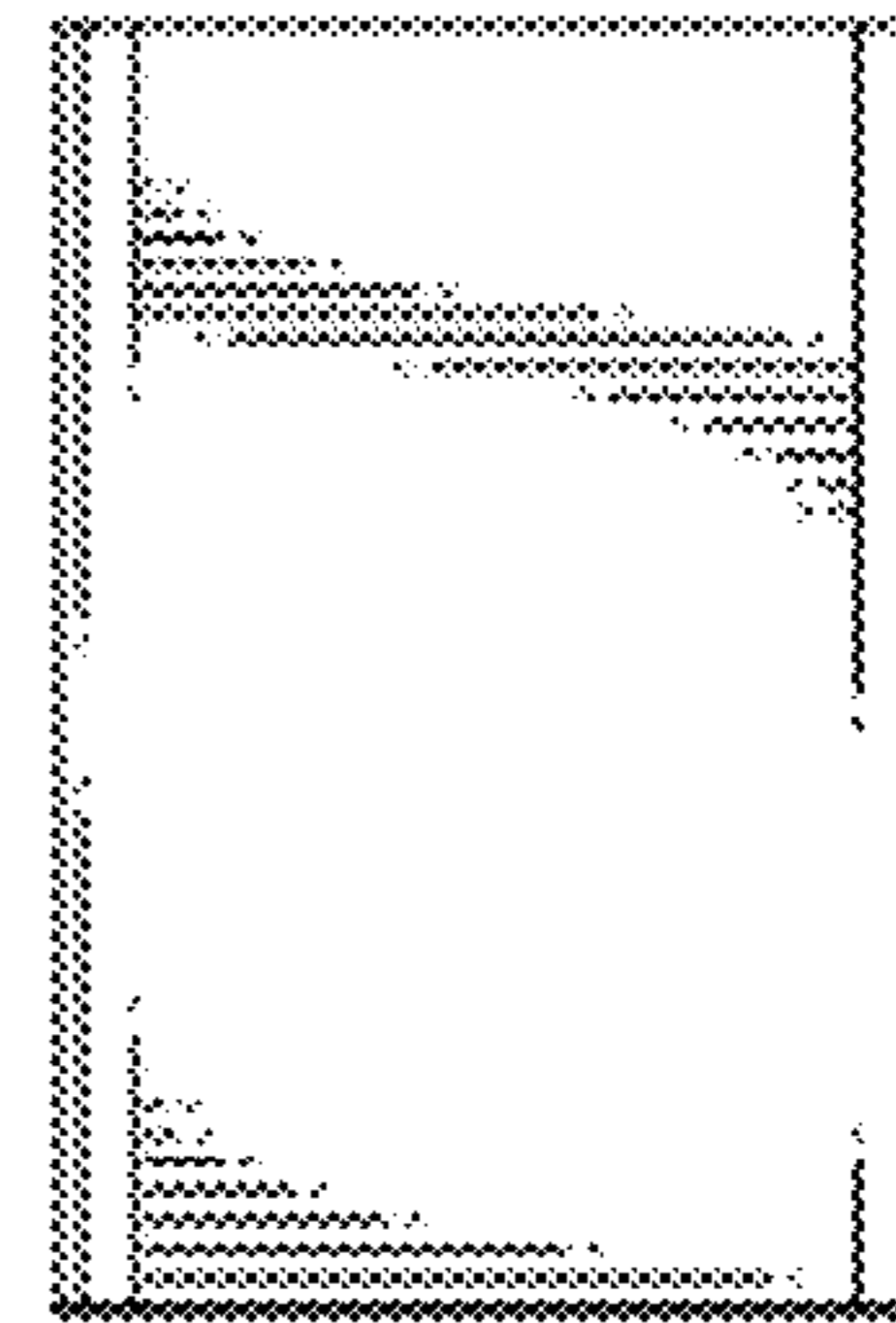


FIG. 6

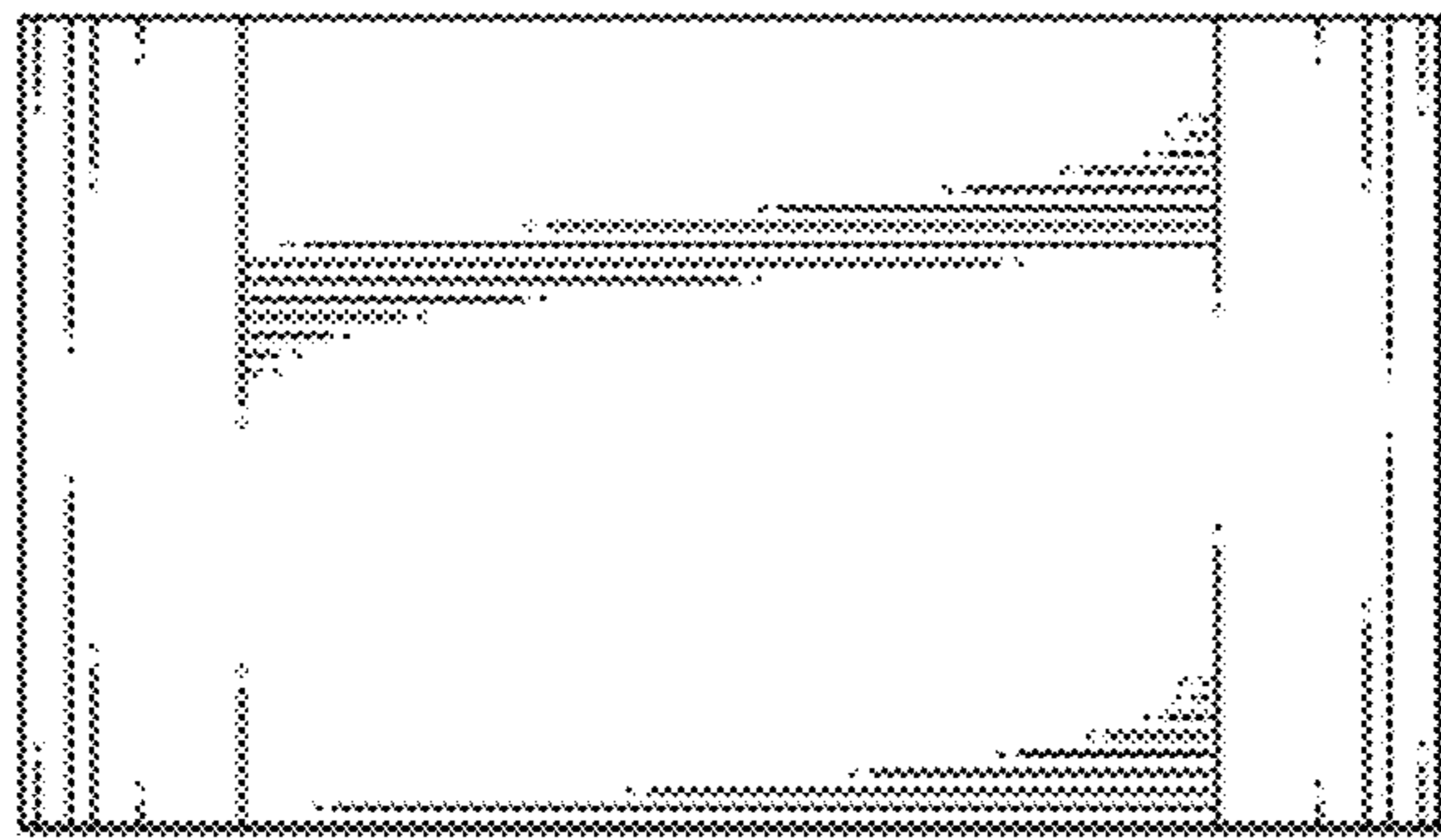


FIG. 5