

US00D667138S

(12) **United States Design Patent**
Rainey

(10) **Patent No.:** **US D667,138 S**

(45) **Date of Patent:** **** Sep. 11, 2012**

(54) **RETAINING WALL MODULAR BLOCK**

(75) Inventor: **Thomas L. Rainey**, Marietta, GA (US)

(73) Assignee: **Earth Reinforcement Technologies, LLC**, Woodstock, GA (US)

(**) Term: **14 Years**

(21) Appl. No.: **29/357,808**

(22) Filed: **Mar. 17, 2010**

(51) **LOC (9) Cl.** **25-01**

(52) **U.S. Cl.** **D25/113**

(58) **Field of Classification Search** D25/102-118,
D25/136, 138, 140, 151, 152, 153, 156-162,
D25/164; D21/484-491, 499-504; 405/16,
405/284, 286; 52/503-505, 574, 575, 596-612,
52/102; 404/27-42; 47/33; D8/1
See application file for complete search history.

(56) **References Cited**

U.S. PATENT DOCUMENTS

1,385,299	A *	7/1921	Bilque	52/606
D319,885	S *	9/1991	Blomquist et al.	D25/118
D347,070	S *	5/1994	Anderson et al.	D25/114
D452,332	S *	12/2001	Blomquist et al.	D25/113

6,637,981	B2 *	10/2003	MacDonald	405/284
D551,360	S *	9/2007	Price	D25/113
7,328,537	B2 *	2/2008	Hammer	52/604
D620,135	S *	7/2010	Adam	D25/113
2002/0001509	A1 *	1/2002	Hong	405/286
2005/0102949	A1 *	5/2005	Whitson	52/596

* cited by examiner

Primary Examiner — Anhdao Doan

(74) *Attorney, Agent, or Firm* — Thomas, Kayden, Horstemeyer & Risley, LLP

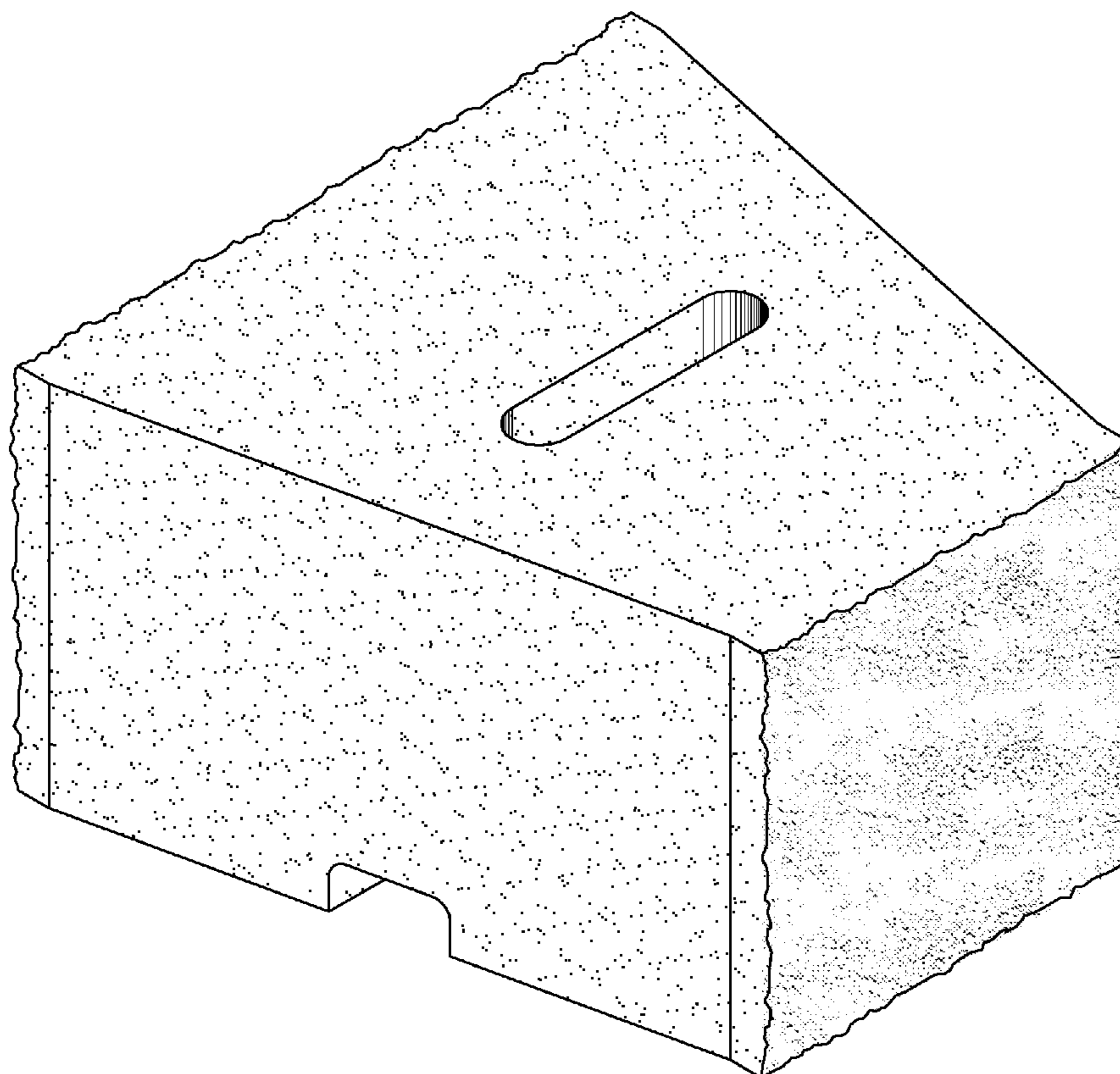
(57) **CLAIM**

The ornamental design for a retaining wall modular block, as shown and described.

DESCRIPTION

FIG. 1 is a front perspective view showing my new retaining wall modular block;
FIG. 2 is a back perspective view thereof;
FIG. 3 is a top view thereof;
FIG. 4 is a bottom view thereof;
FIG. 5 is a right side view thereof;
FIG. 6 is a left side view thereof
FIG. 7 is a front side view thereof; and,
FIG. 8 is a back side view thereof.

1 Claim, 8 Drawing Sheets



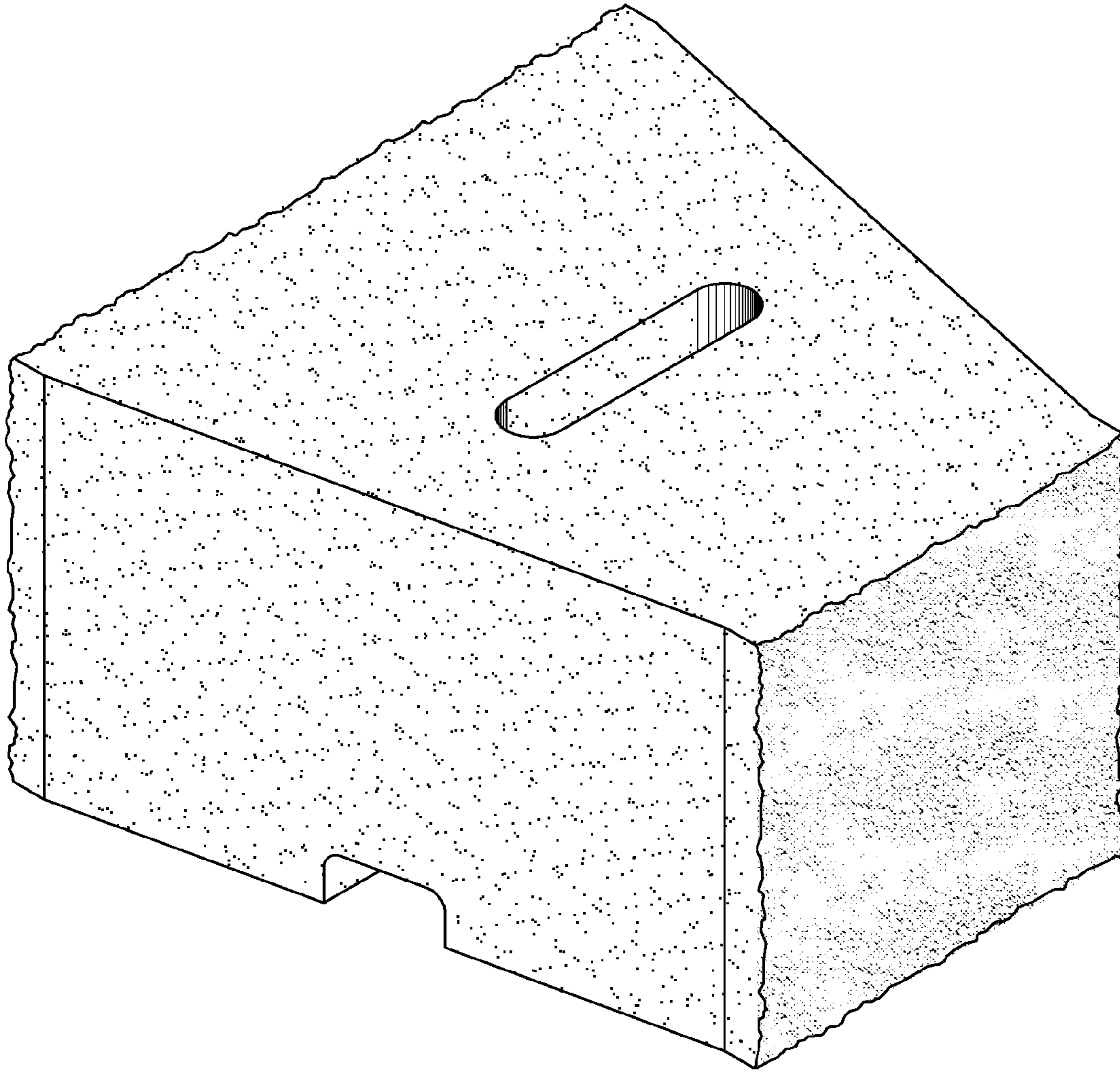


FIGURE 1

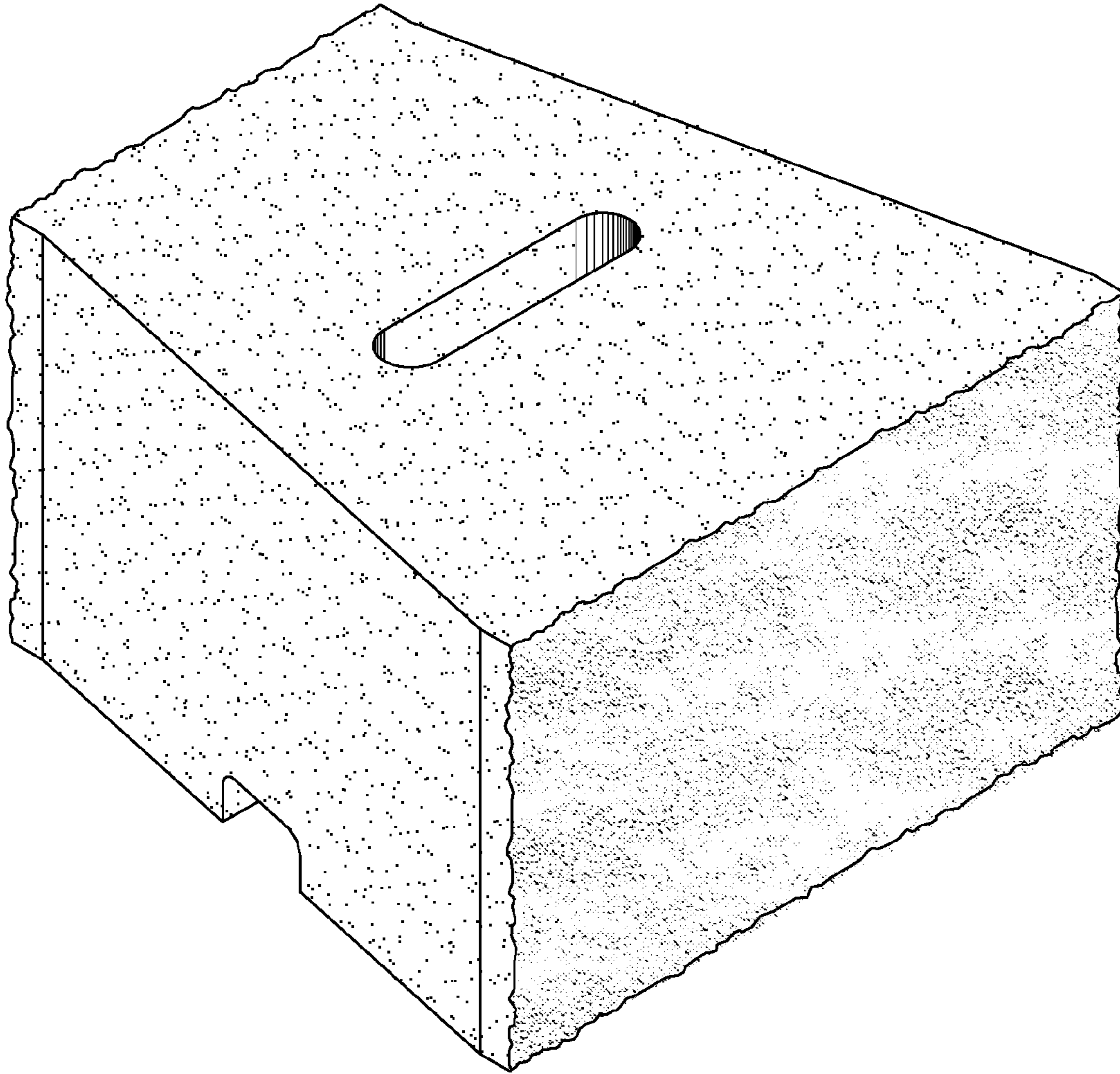


FIGURE 2

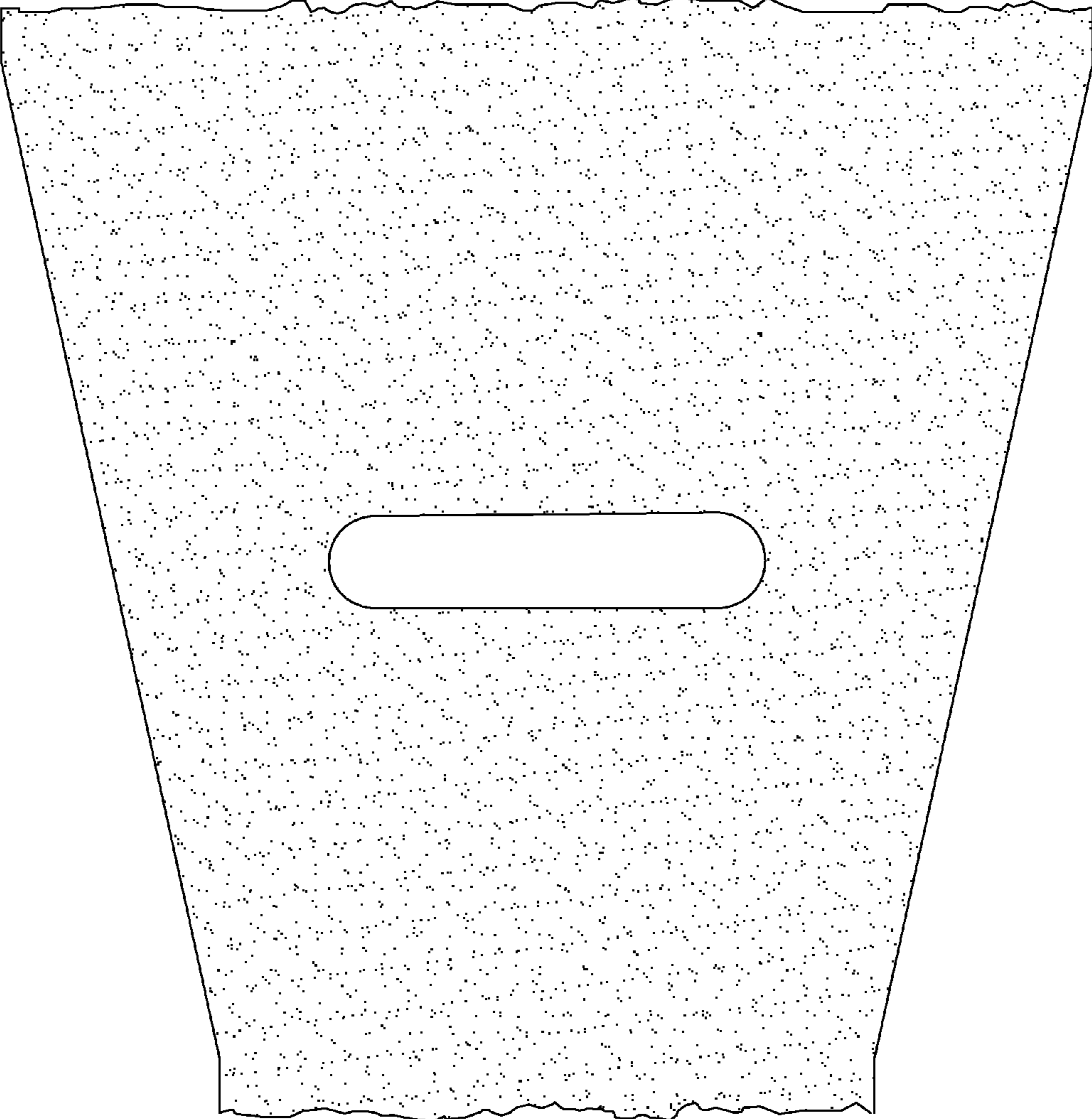


FIGURE 3

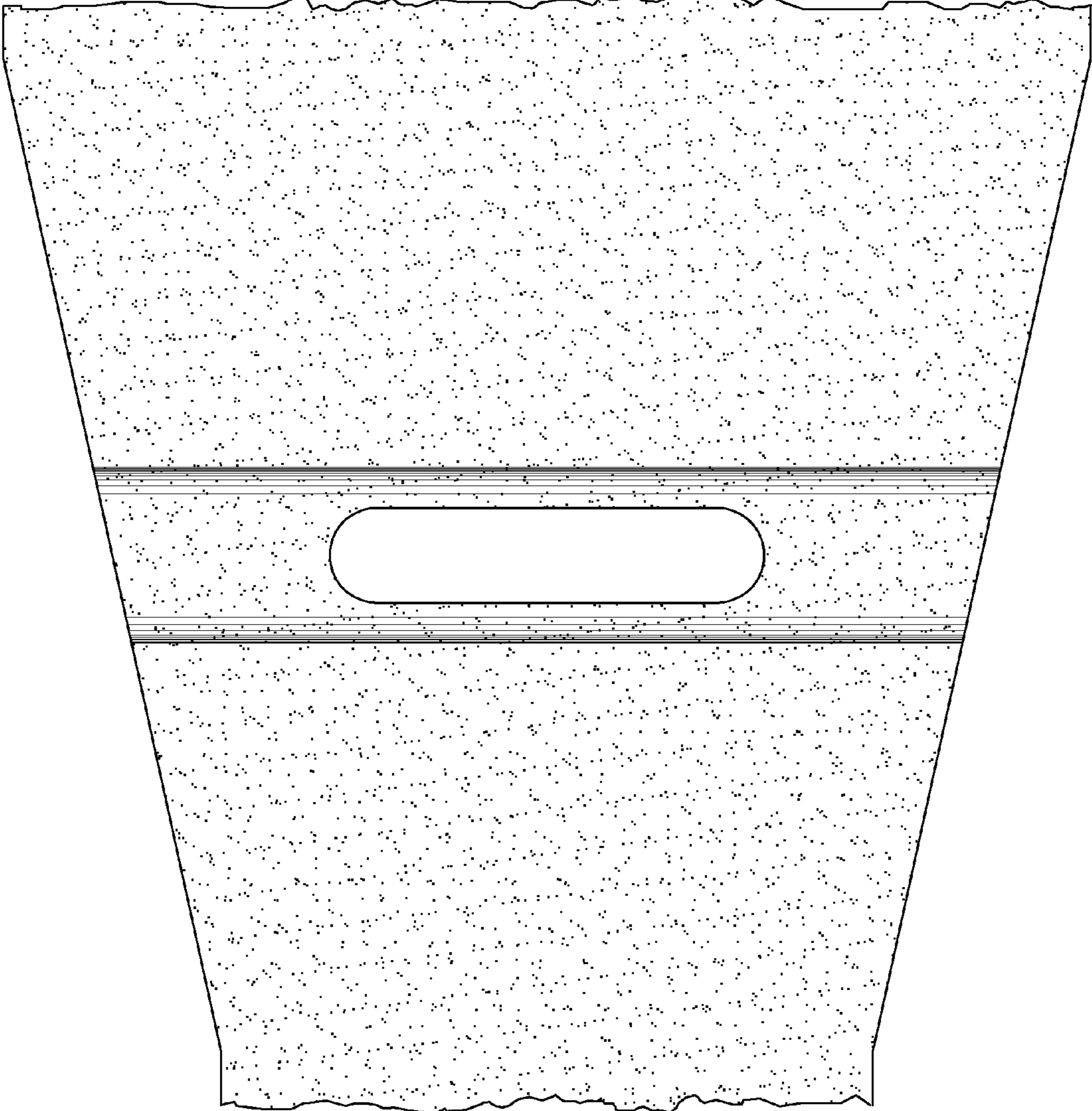


FIGURE 4

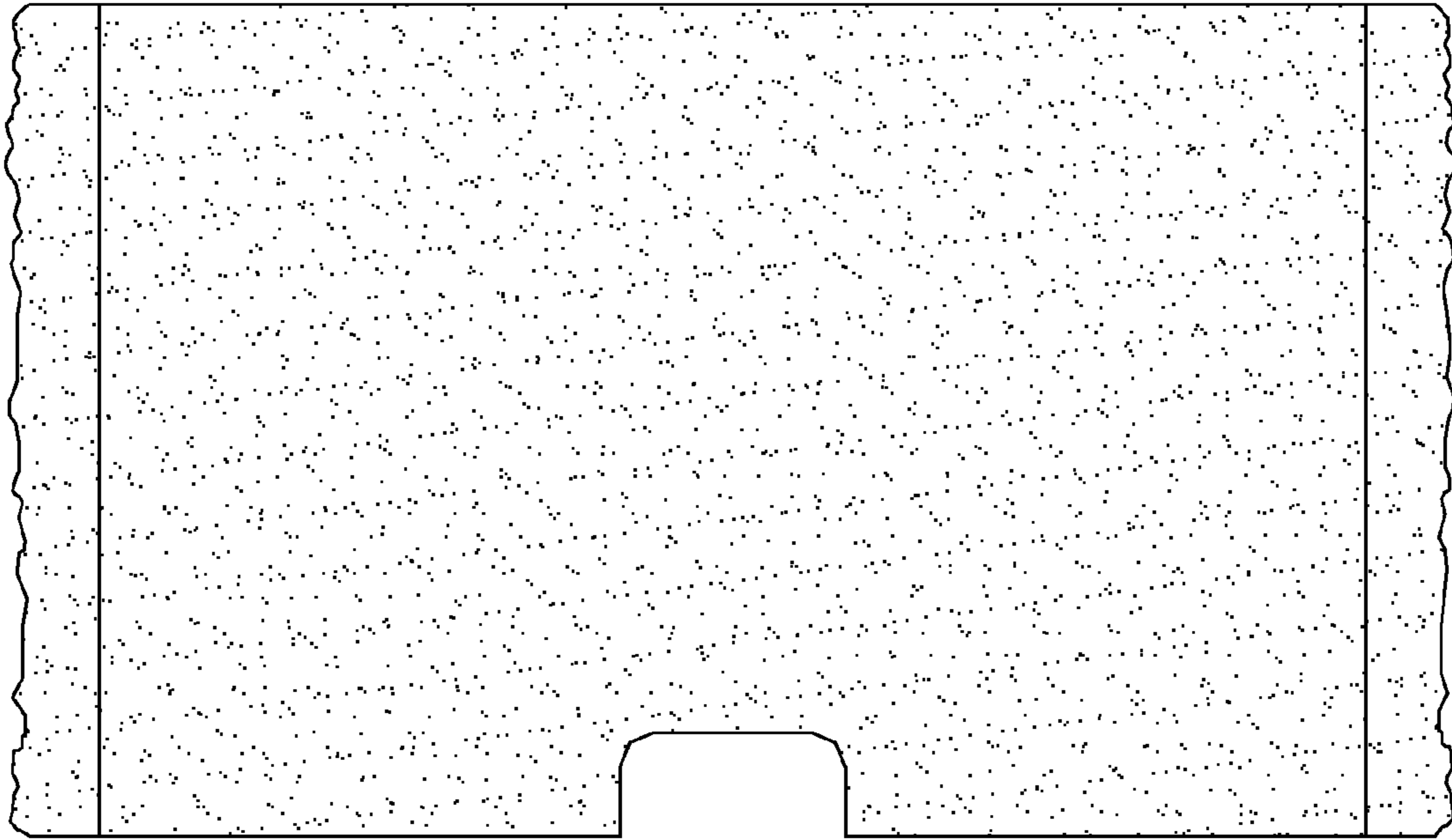


FIGURE 5

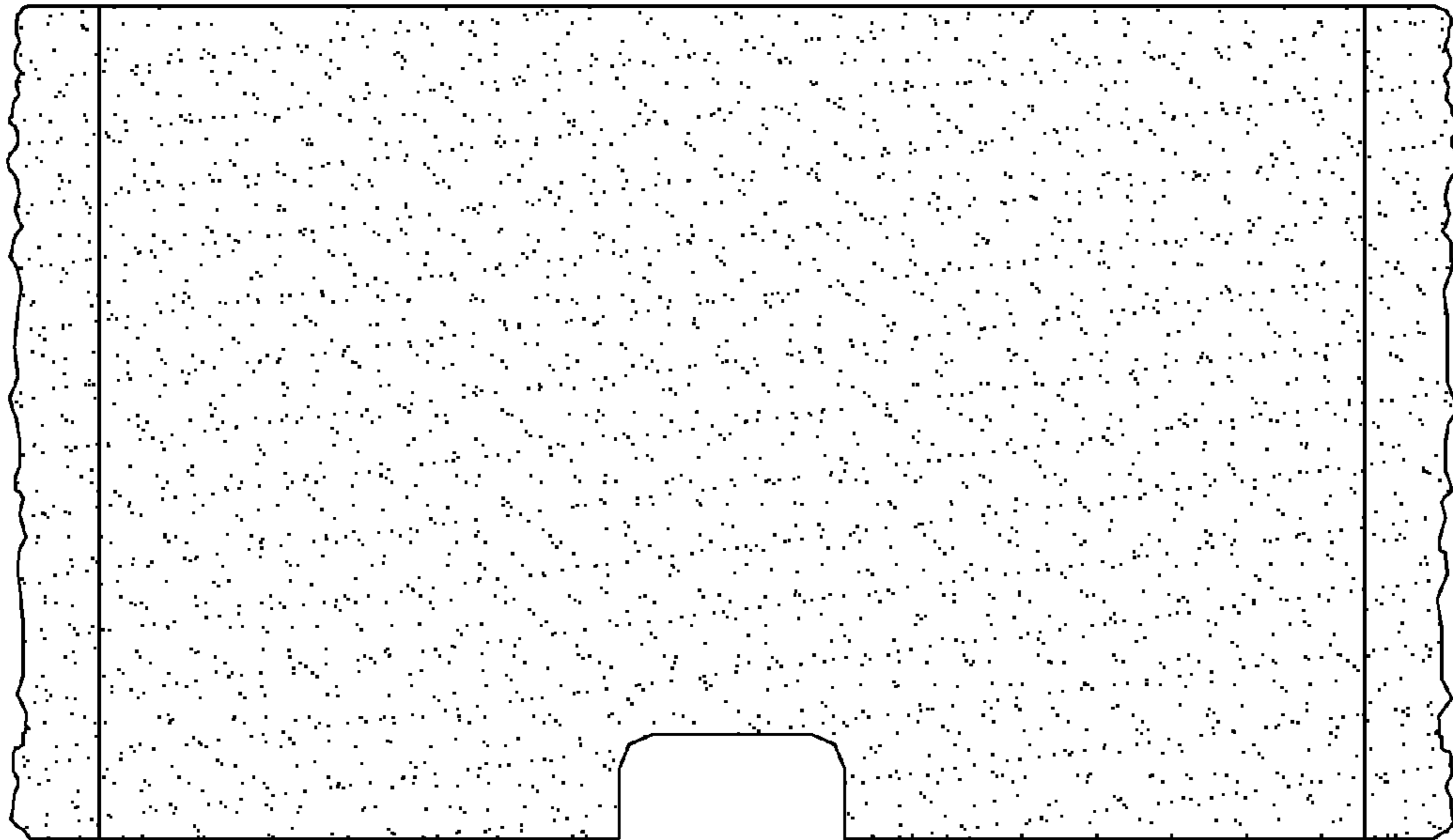


FIGURE 6

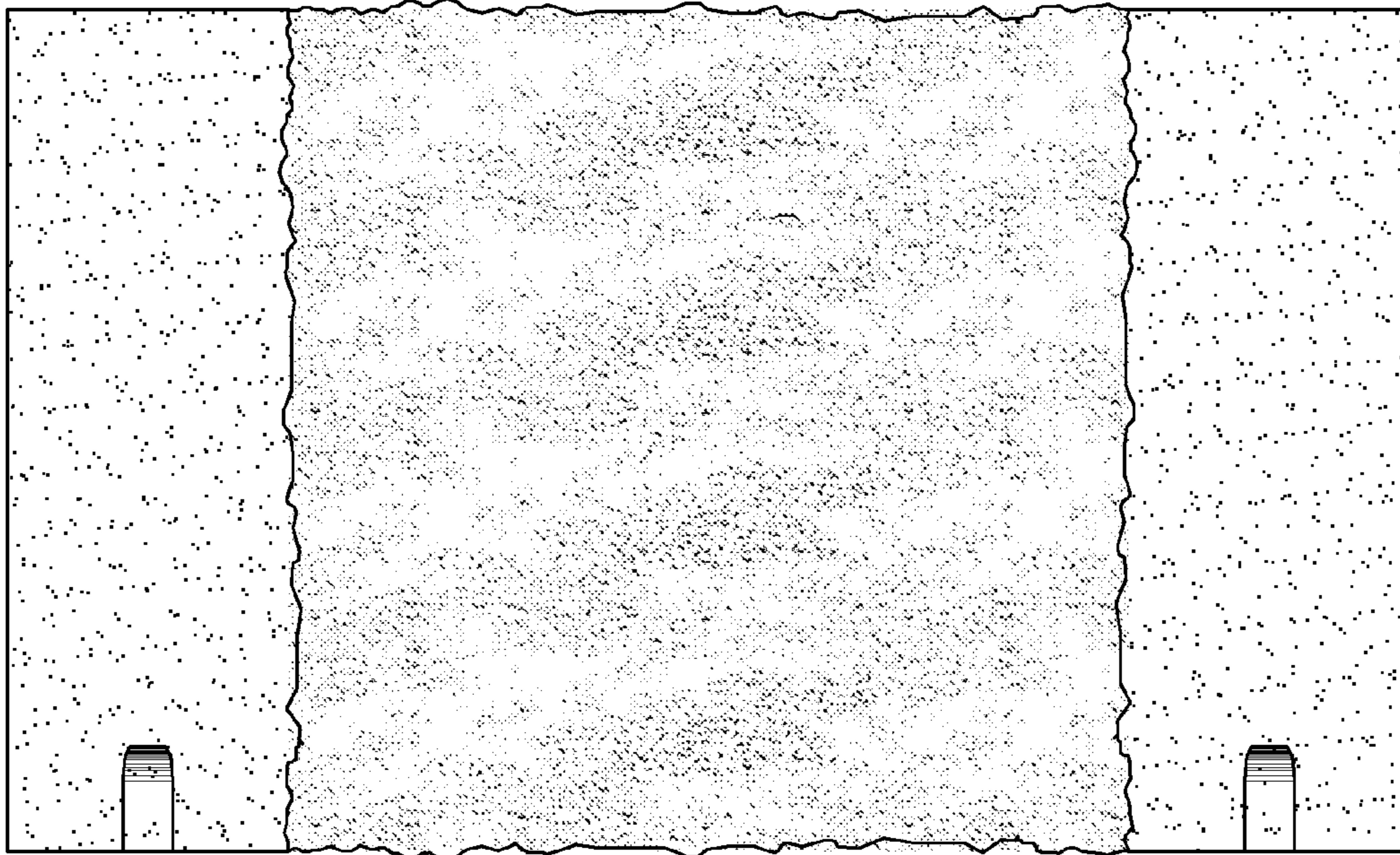


FIGURE 7

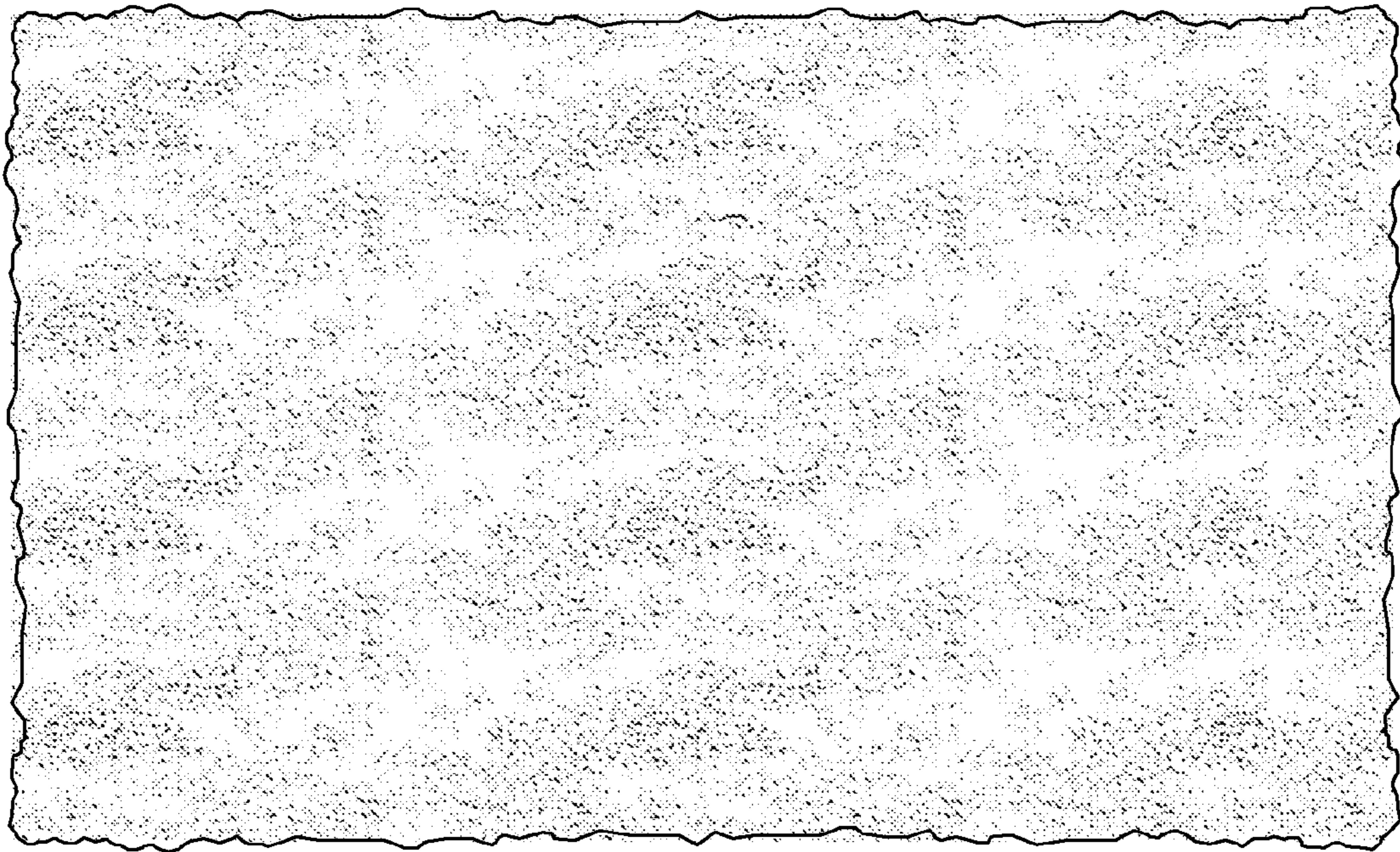


FIGURE 8