

US00D667137S

(12) **United States Design Patent**
Weekly et al.

(10) **Patent No.:** **US D667,137 S**
(45) **Date of Patent:** **** Sep. 11, 2012**

(54) **BLOCK GATE STRUCTURE**

(75) Inventors: **Todd O. Weekly**, Idleyld Park, OR (US);
Nicholas O. Weekly, Idleyld Park, OR (US)

(73) Assignee: **Weekly Bros. Inc.**, Idleyld Park, OR (US)

(**) Term: **14 Years**

(21) Appl. No.: **29/392,633**

(22) Filed: **May 24, 2011**

(51) **LOC (9) Cl.** **25-01**

(52) **U.S. Cl.** **D25/48.5**

(58) **Field of Classification Search** D25/38.1,
D25/39.43, 44, 48.5, 126, 133; 49/34-35;
256/27, 31, 65.14, 73; 52/153; 404/9

See application file for complete search history.

(56) **References Cited**

U.S. PATENT DOCUMENTS

D340,290 S *	10/1993	Rossiter	D25/48.5
D347,284 S *	5/1994	Brigden	D25/48.5
D486,240 S *	2/2004	Collins	D25/38.1
D652,531 S *	1/2012	Hammer	D25/113

* cited by examiner

Primary Examiner — Robert Delehanty

(74) *Attorney, Agent, or Firm* — Marger Johnson & McCollom, P.C.

(57) **CLAIM**

The ornamental design for a block gate structure, as shown and described.

DESCRIPTION

A portion of the disclosure of this patent document contains material that is subject to copyright protection. The copyright owner has no objection to the facsimile reproduction by any-

one of the patent disclosure, as it appears in the Patent and Trademark Office patent files or records, but otherwise reserves all copyright rights whatsoever.

FIG. 1 is a first front perspective view of a first embodiment of a block gate structure;

FIG. 2 is a second front perspective view thereof;

FIG. 3 is a front plan view thereof;

FIG. 4 is a back plan view thereof;

FIG. 5 is a top side elevation view thereof;

FIG. 6 is a first front perspective view of a second embodiment of a block gate structure;

FIG. 7 is a second front perspective view thereof;

FIG. 8 is a front plan view thereof;

FIG. 9 is a back plan view thereof;

FIG. 10 is a top side elevation view thereof;

FIG. 11 is a first front perspective view of a third embodiment of a block gate structure;

FIG. 12 is a second front perspective view thereof;

FIG. 13 is a front plan view thereof;

FIG. 14 is a back plan view thereof;

FIG. 15 is a top side elevation view thereof;

FIG. 16 is a first front perspective view of a fourth embodiment of a block gate structure;

FIG. 17 is a second front perspective view thereof;

FIG. 18 is a front plan view thereof;

FIG. 19 is a back plan view thereof;

FIG. 20 is a top side elevation view thereof;

FIG. 21 is a first front perspective view of a fifth embodiment of a block gate structure;

FIG. 22 is a second front perspective view thereof;

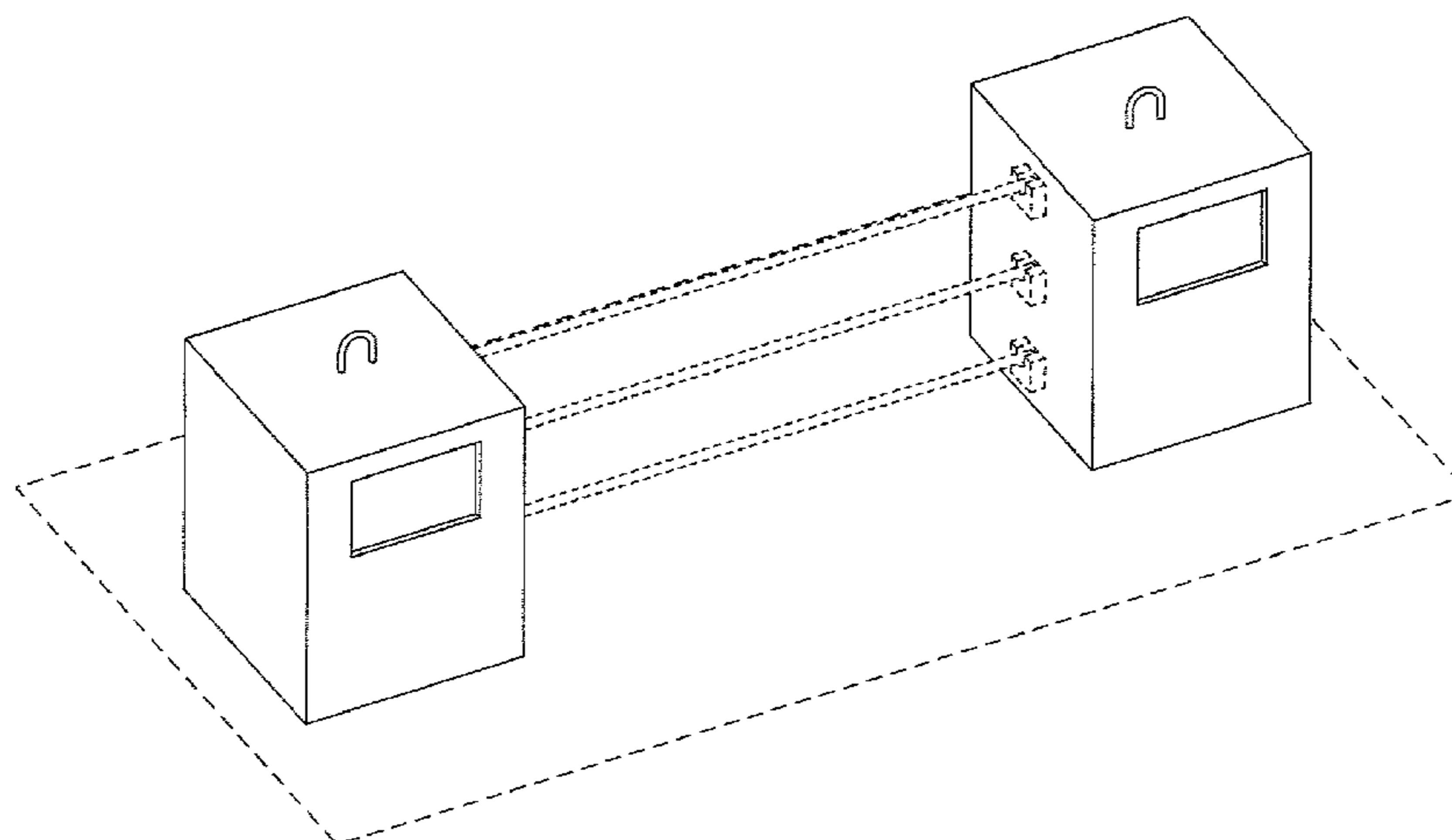
FIG. 23 is a front plan view thereof;

FIG. 24 is a back plan view thereof; and,

FIG. 25 is a top side elevation view thereof.

The broken lines are for illustrative purposes only and form no part of the claimed design.

1 Claim, 15 Drawing Sheets



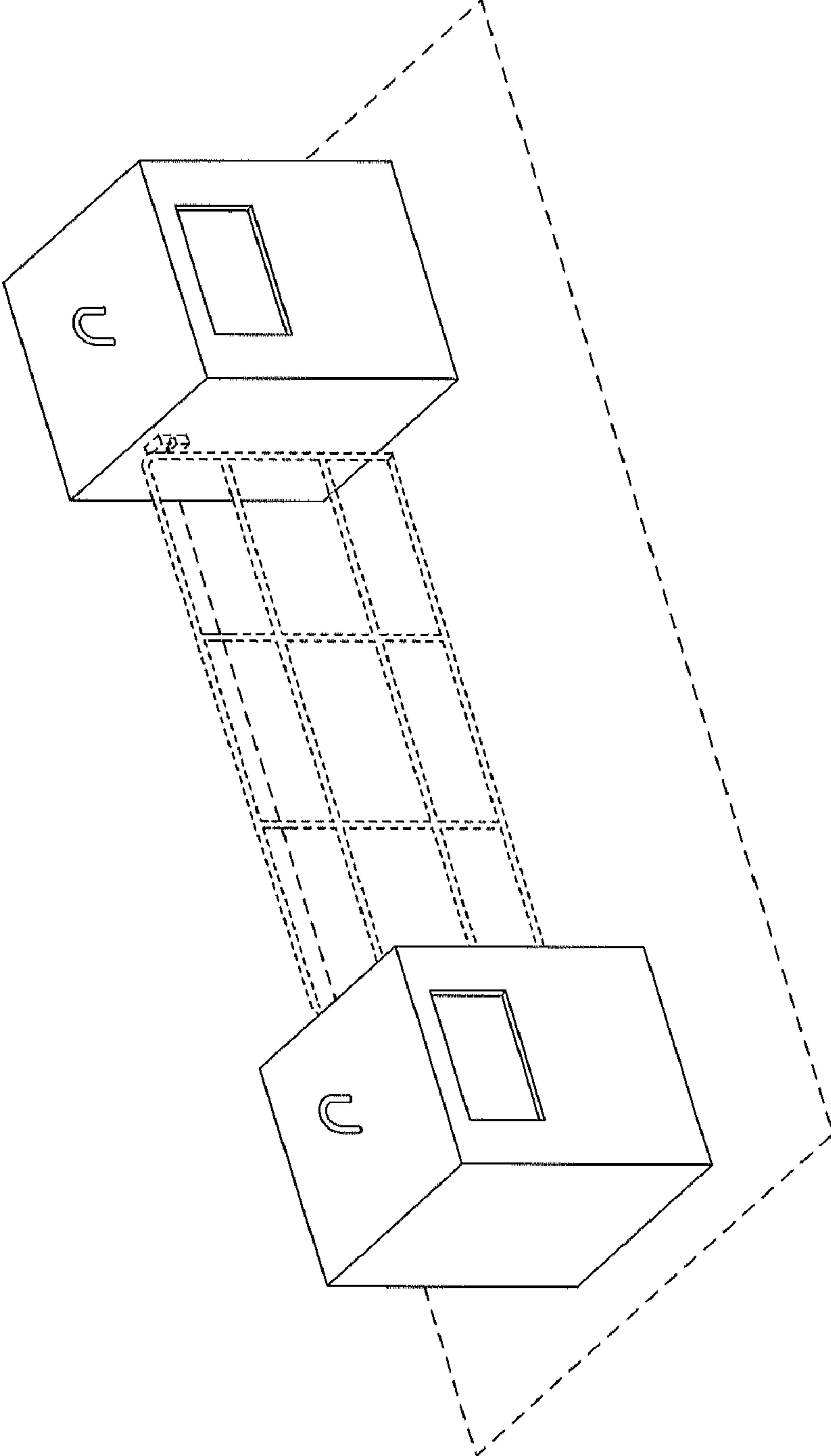


FIG. 1

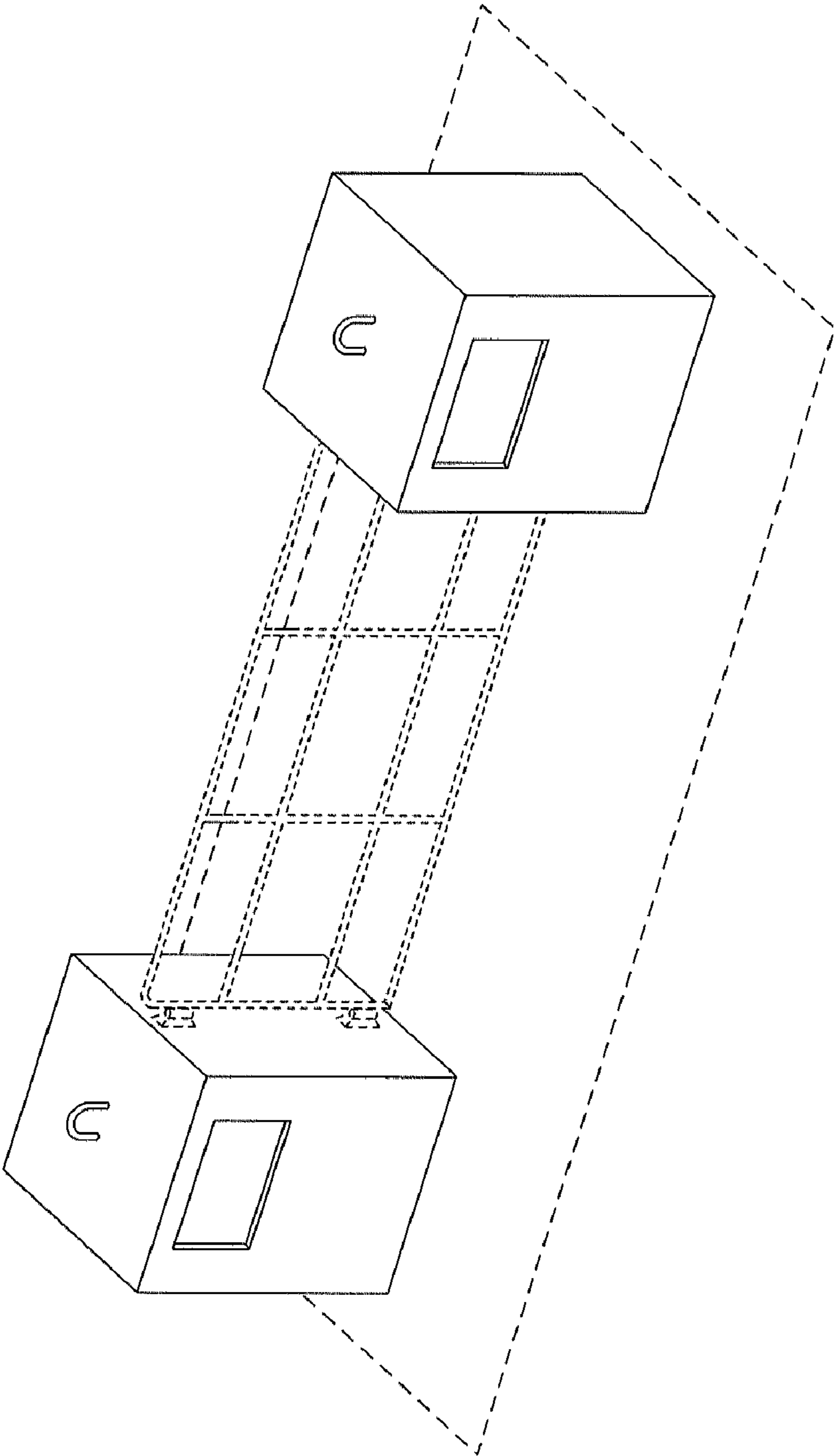


FIG. 2

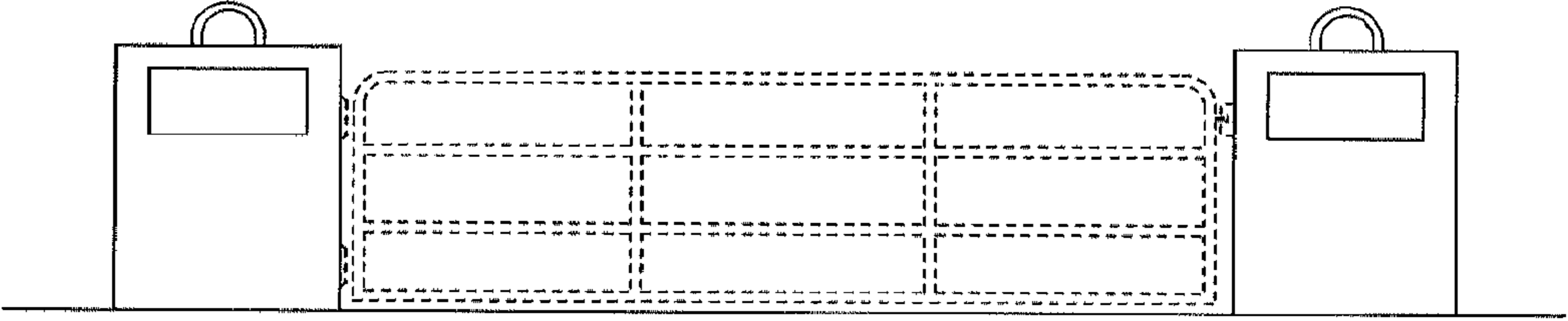


FIG. 3

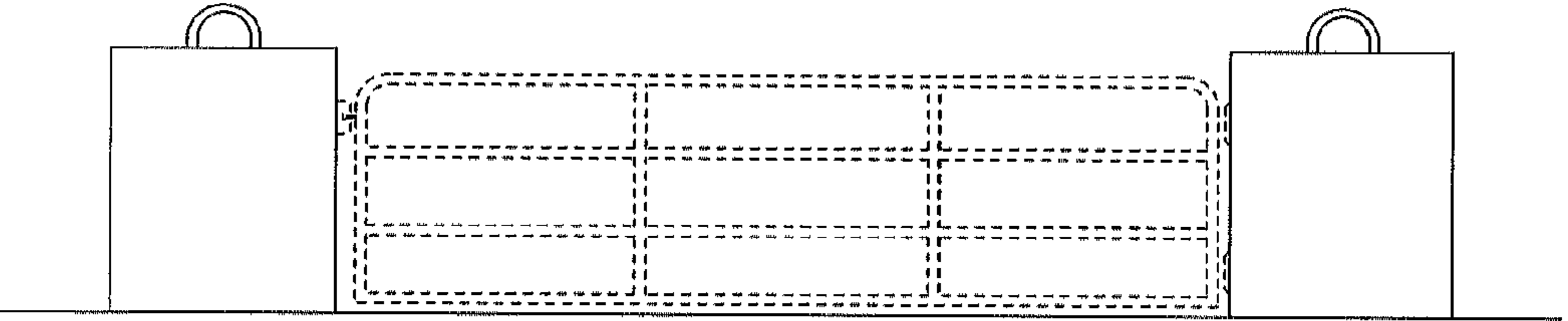


FIG. 4

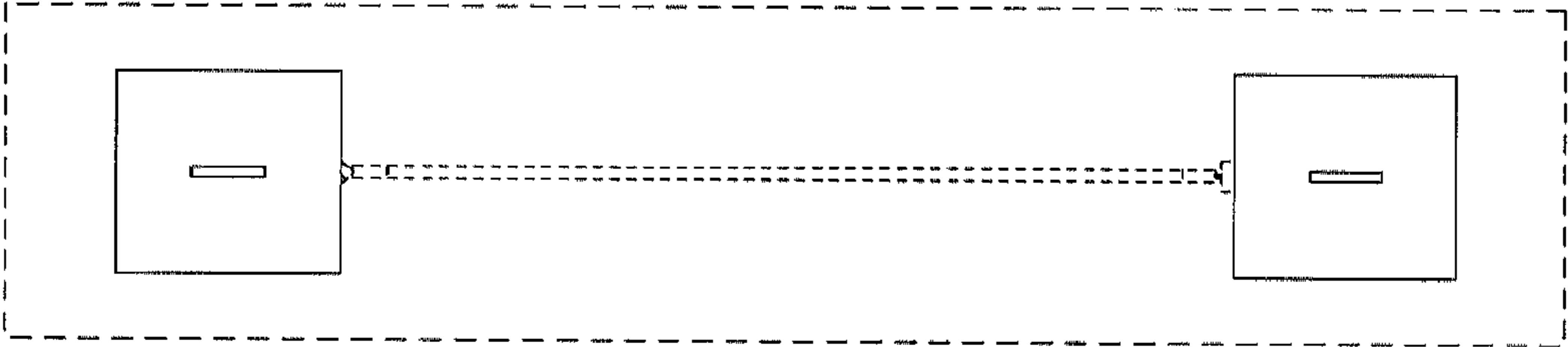


FIG. 5

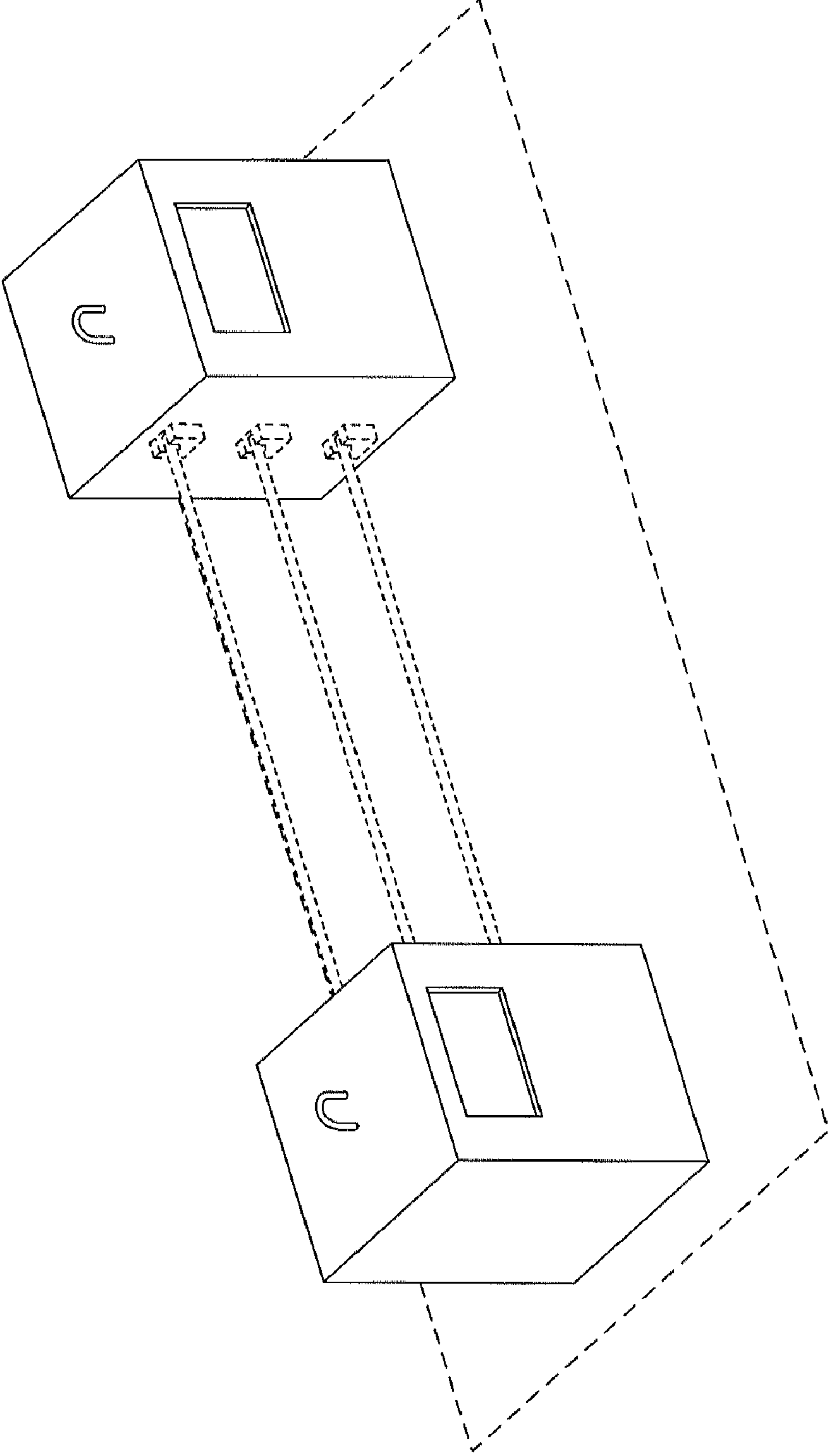


FIG. 6

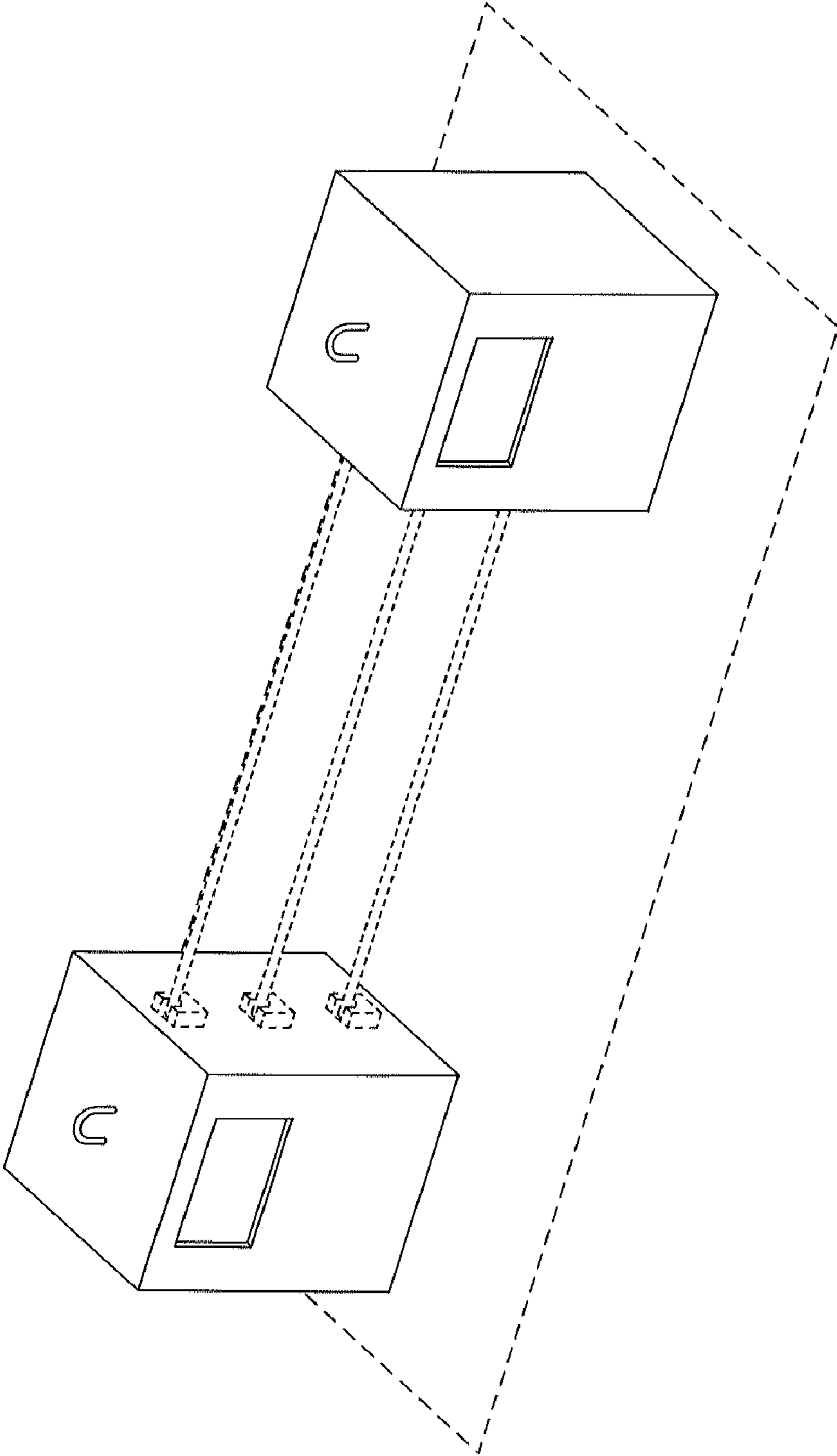


FIG. 7

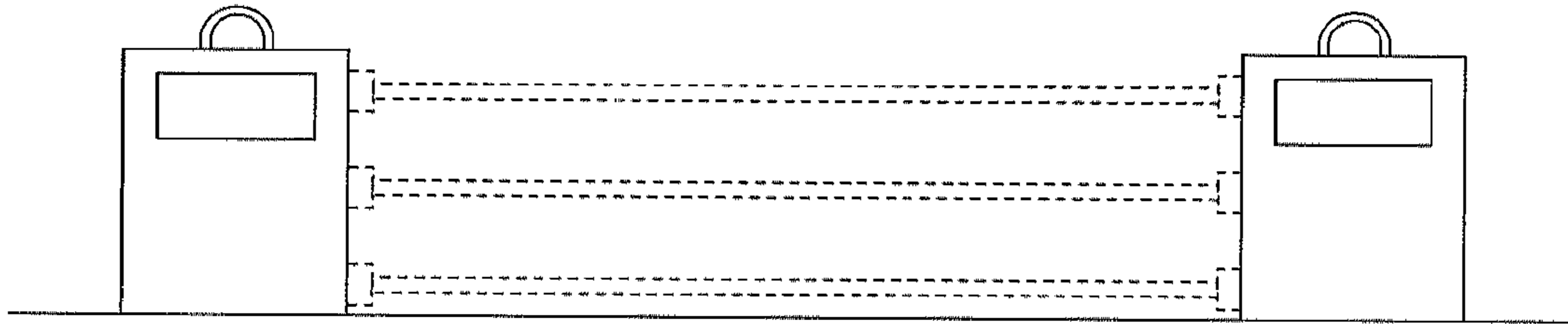


FIG. 8

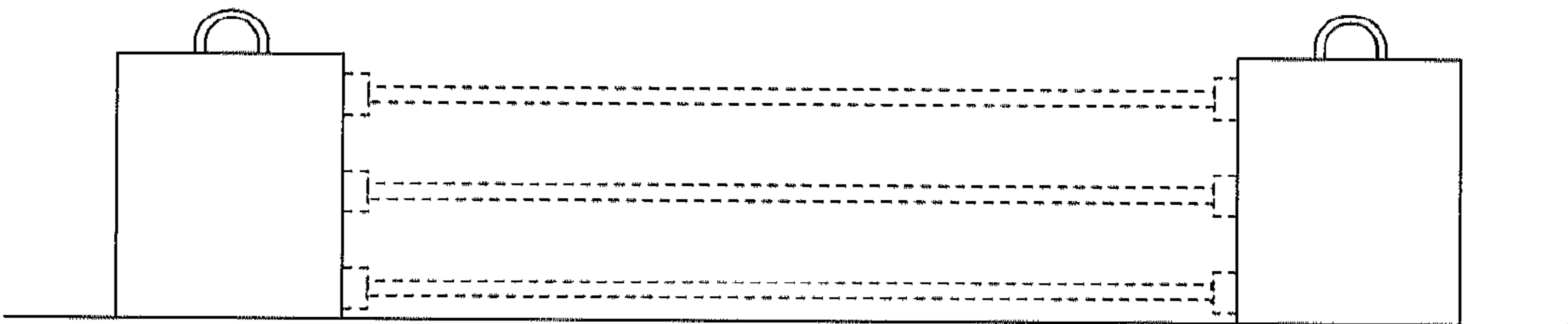


FIG. 9

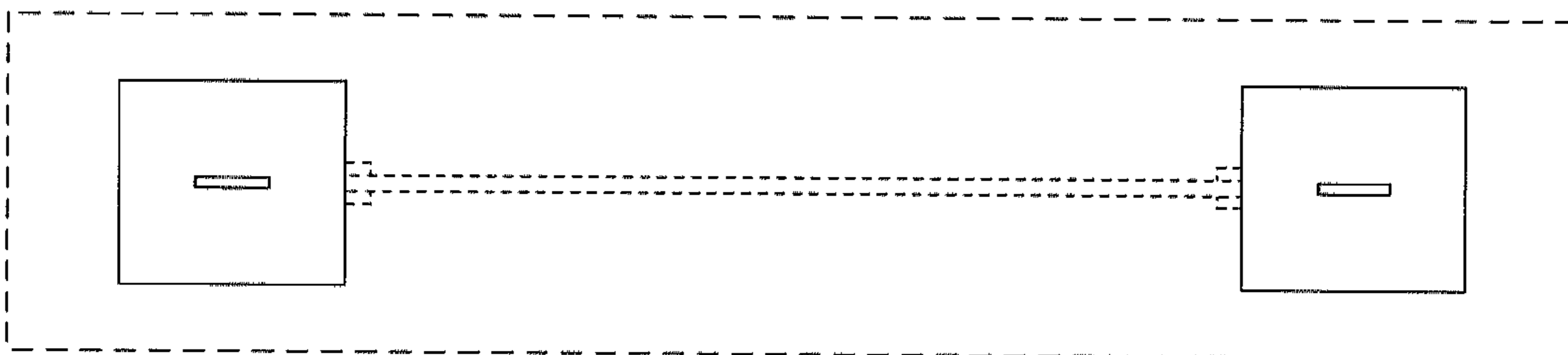


FIG. 10

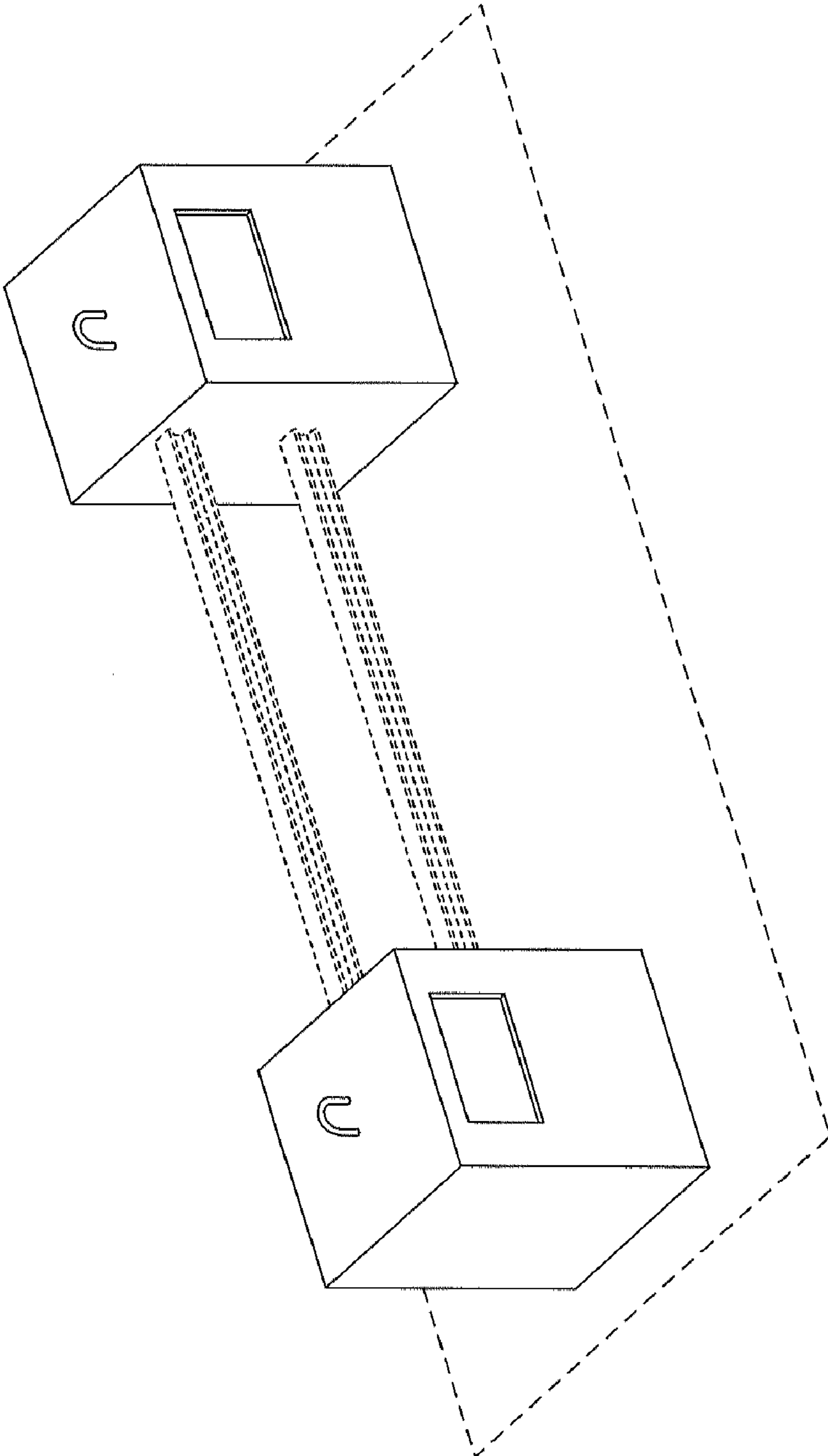


FIG. 11

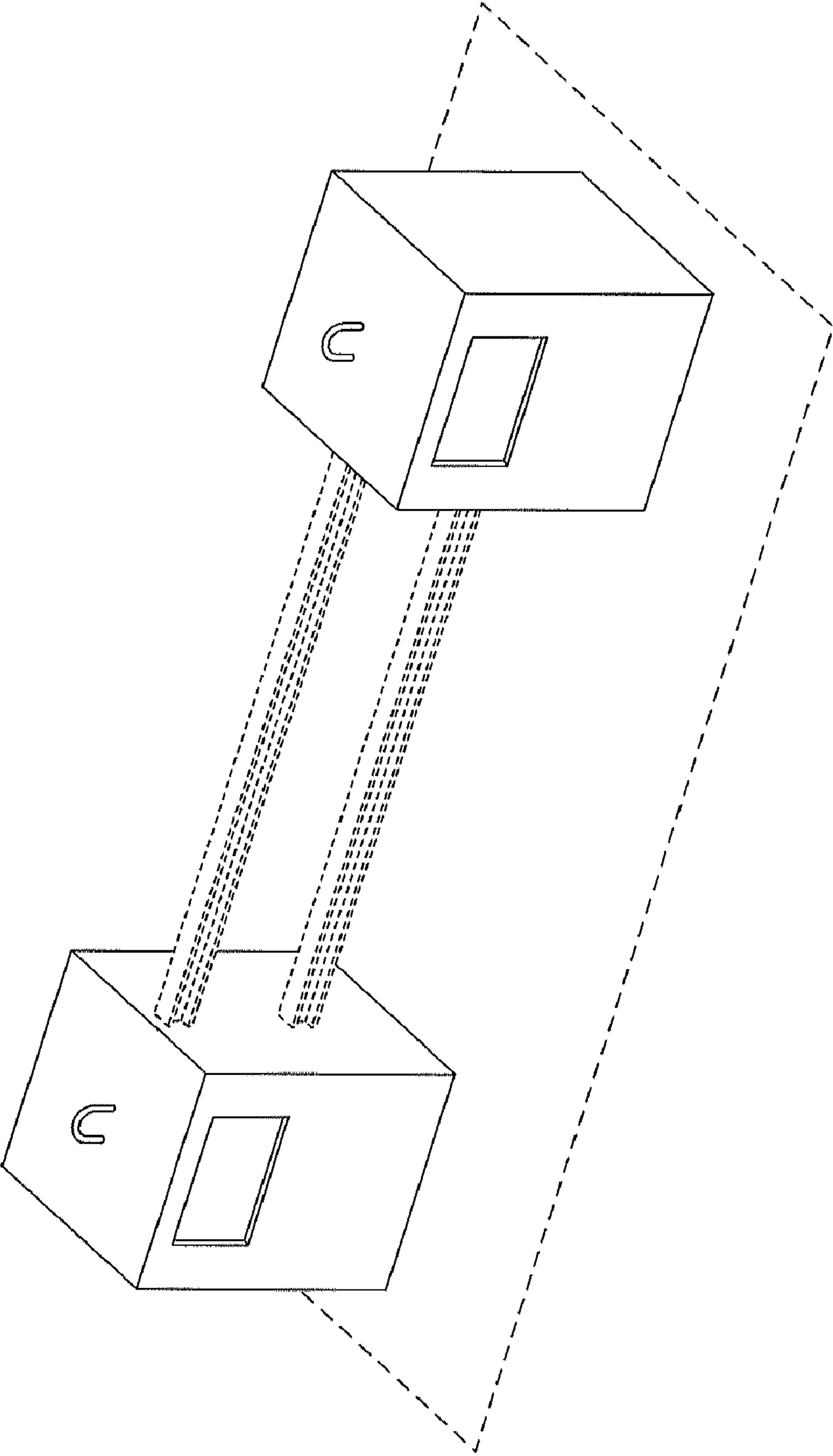


FIG. 12

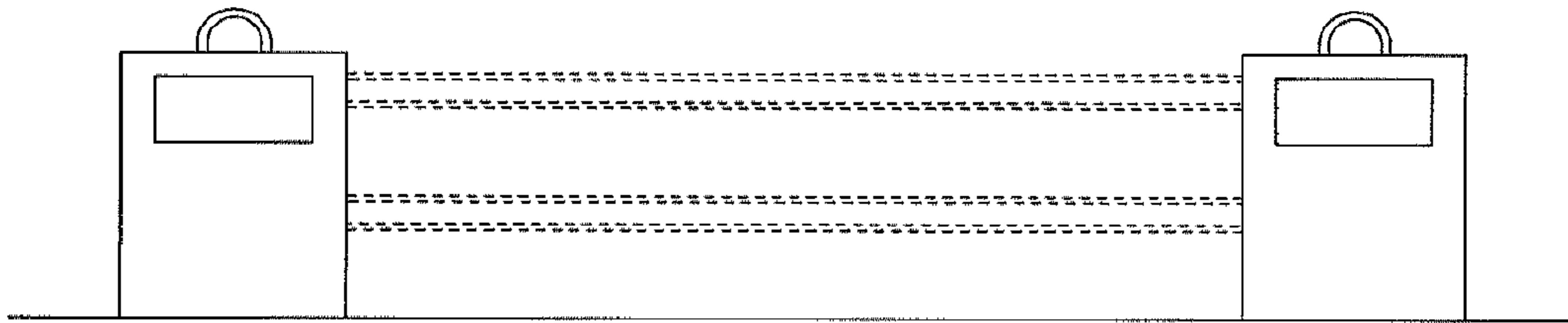


FIG. 13

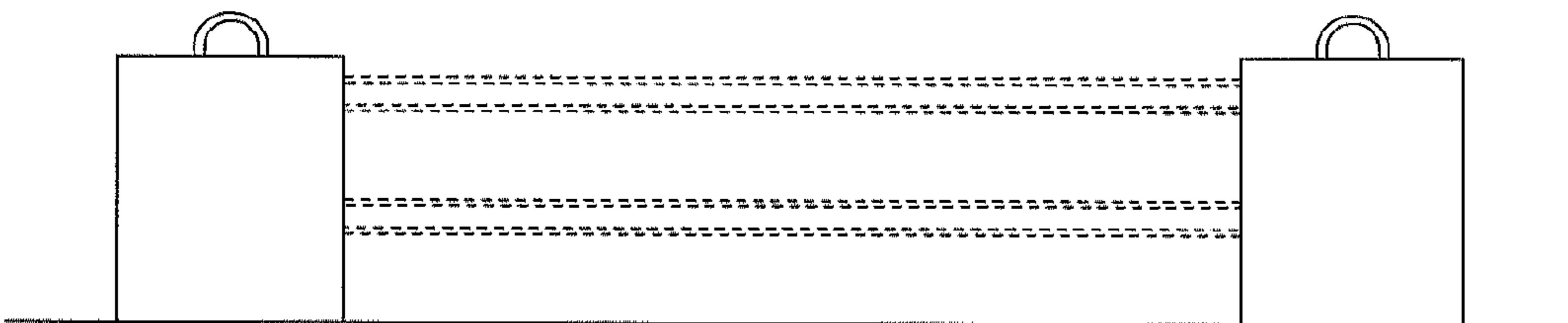


FIG. 14

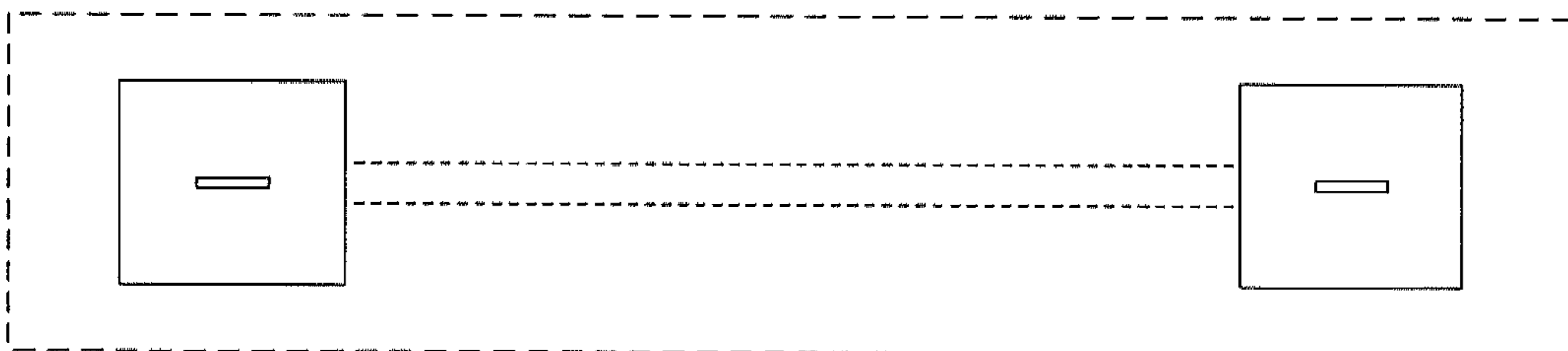


FIG. 15

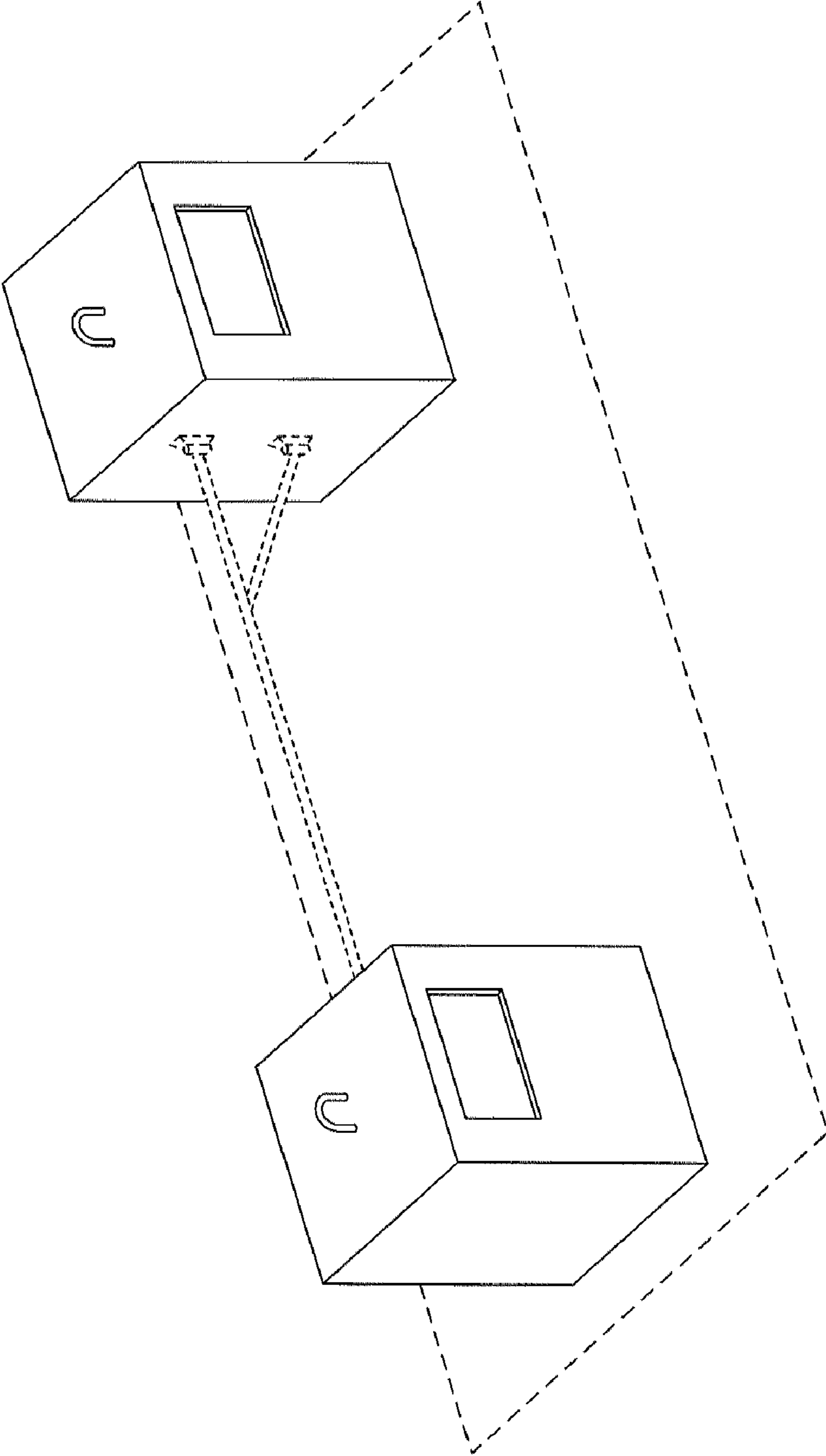


FIG. 16

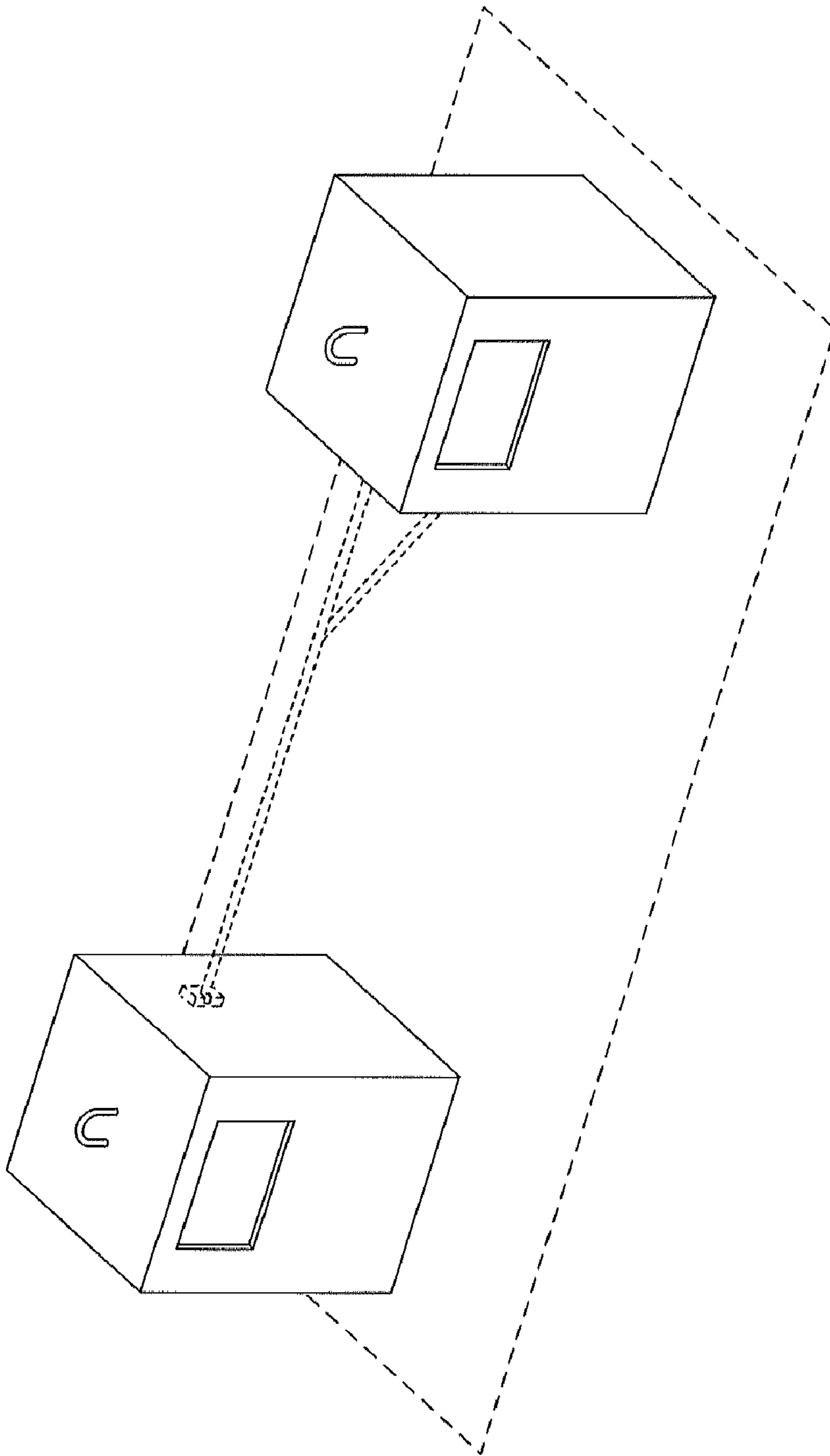


FIG. 17

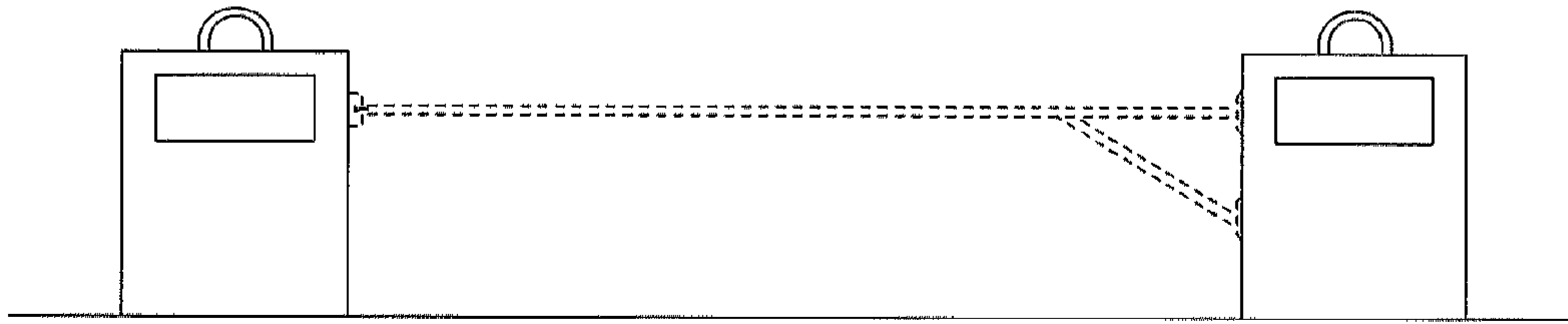


FIG. 18

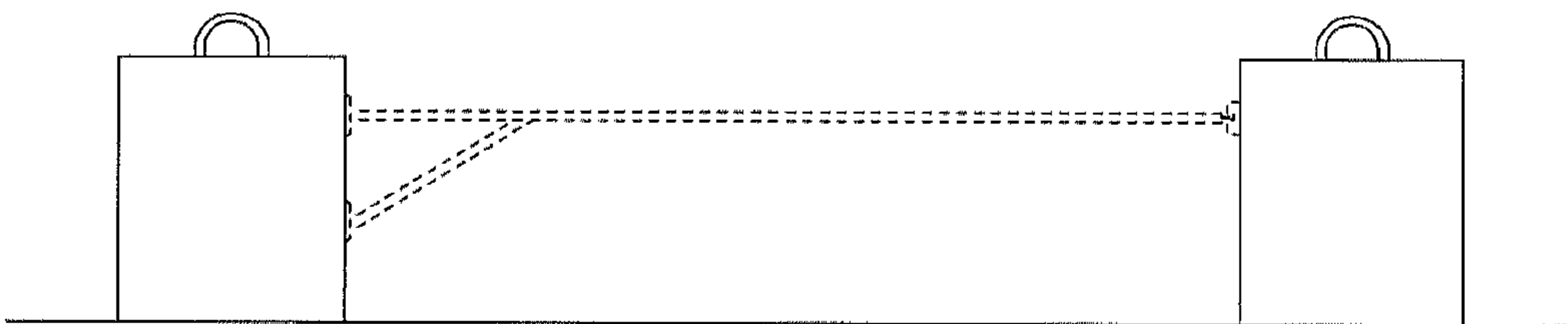


FIG. 19

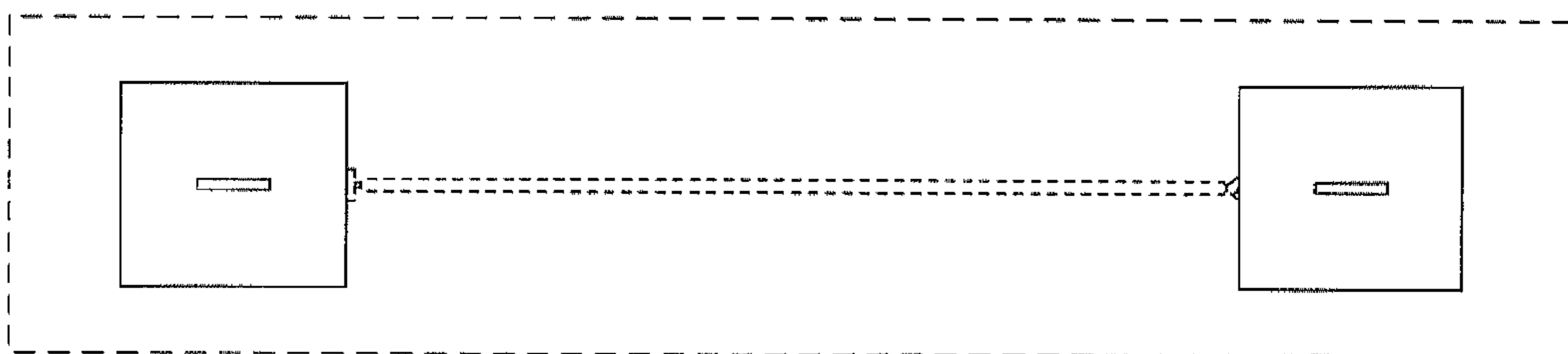


FIG. 20

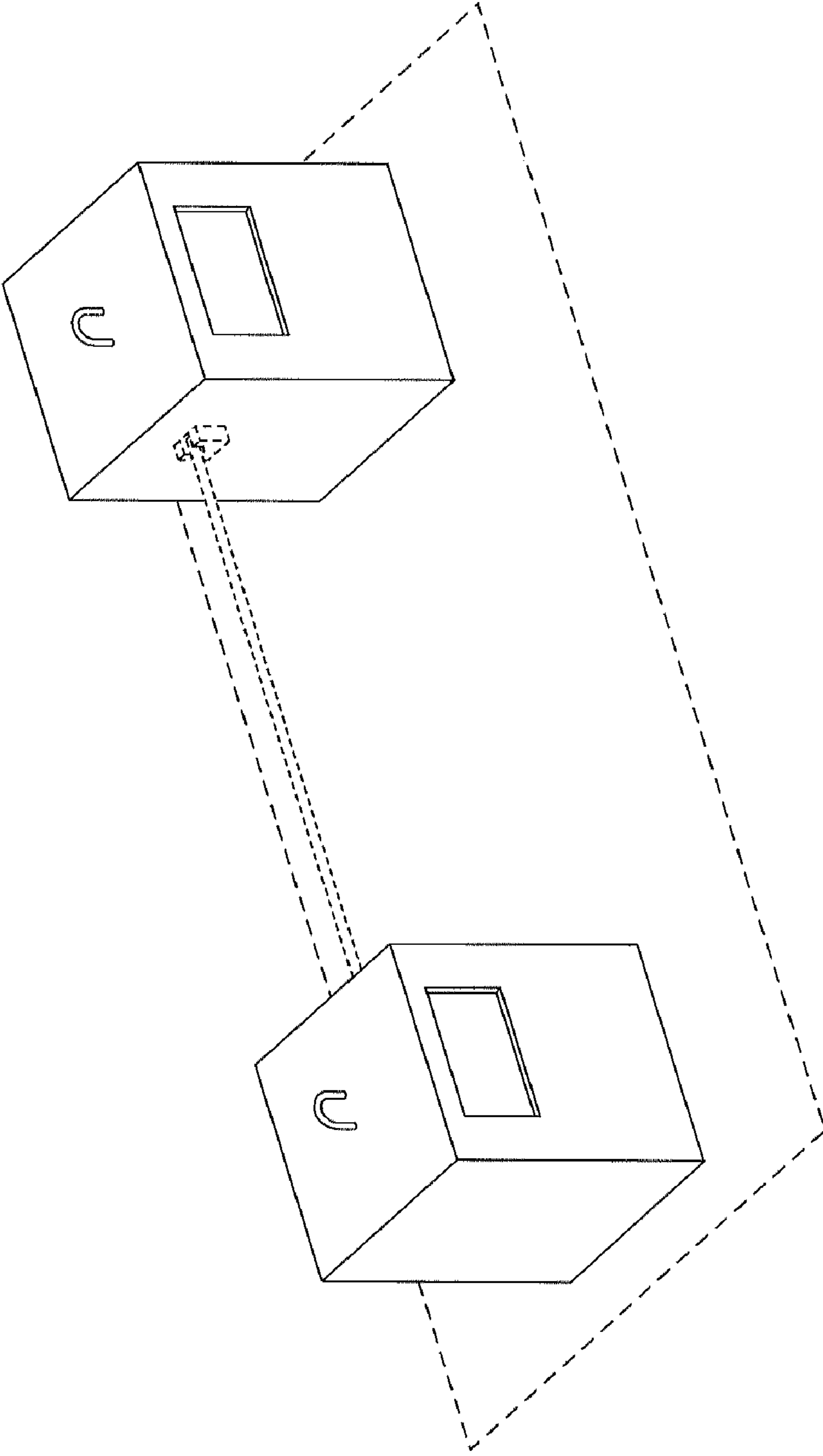


FIG. 21

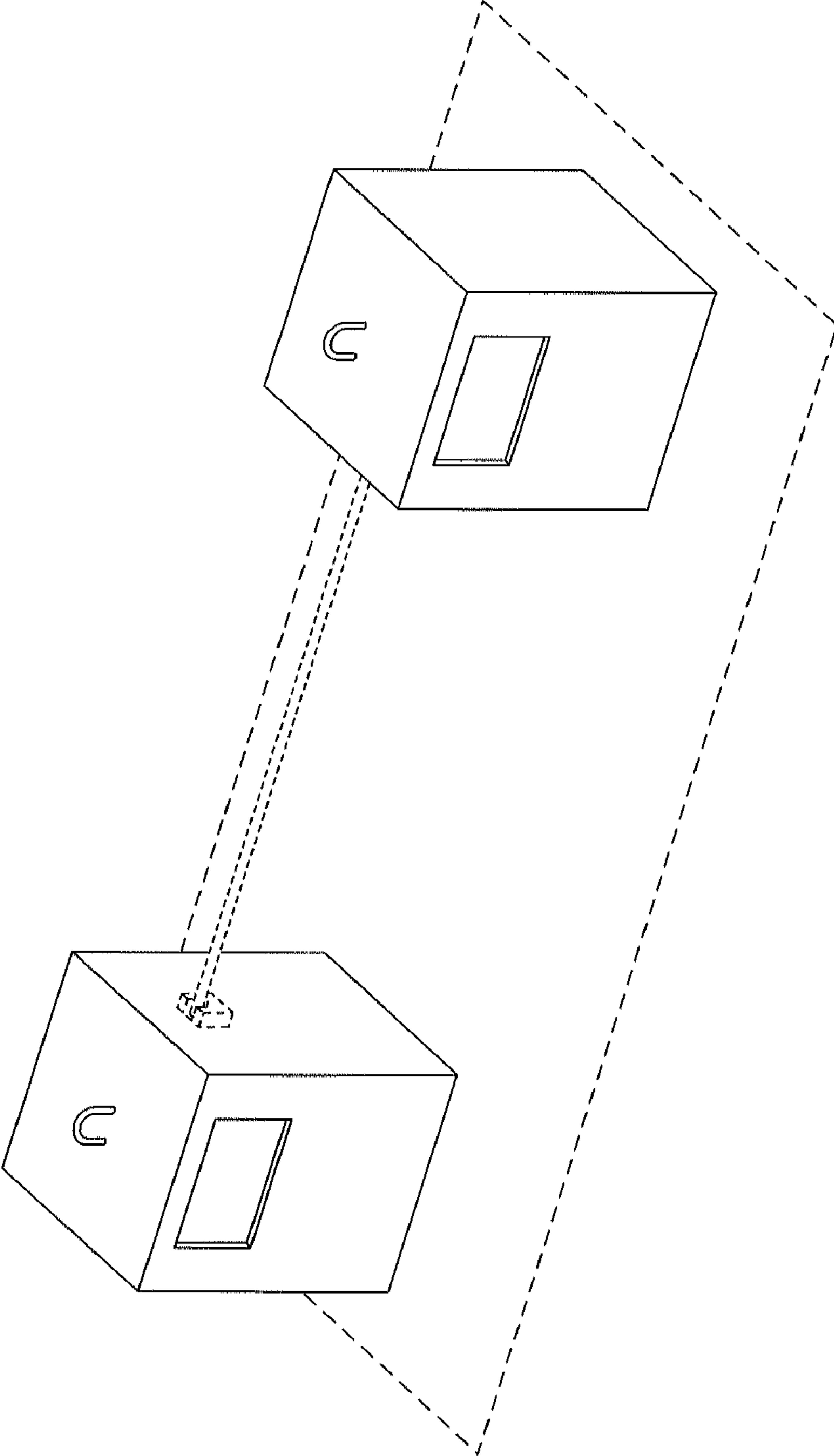


FIG. 22

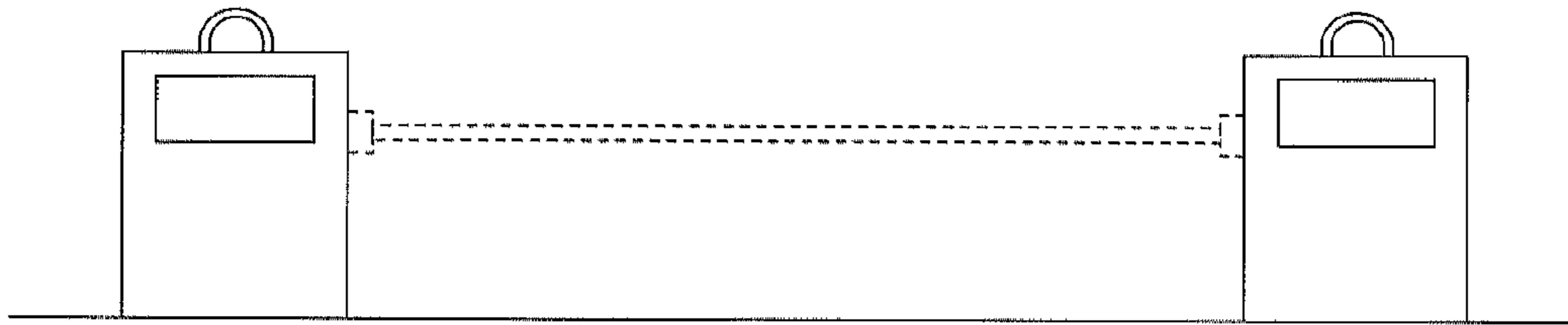


FIG. 23

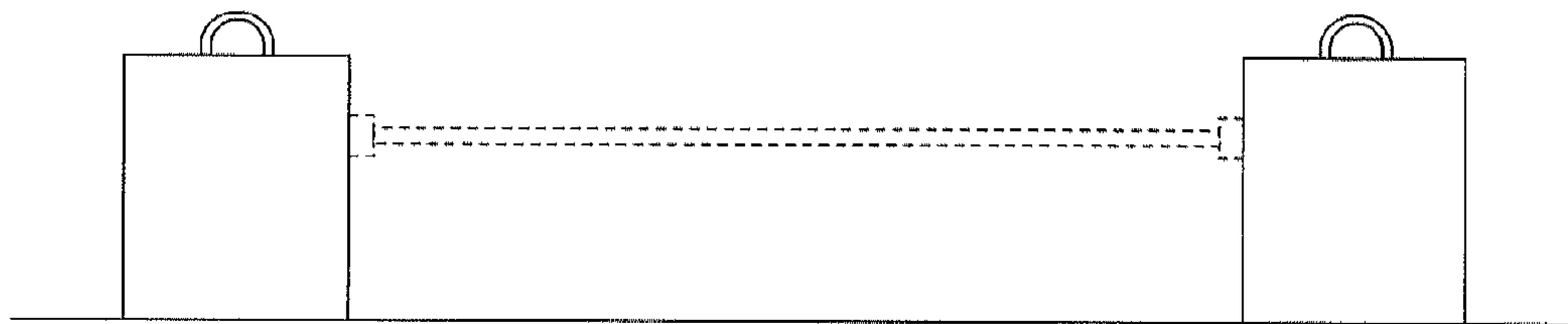


FIG. 24

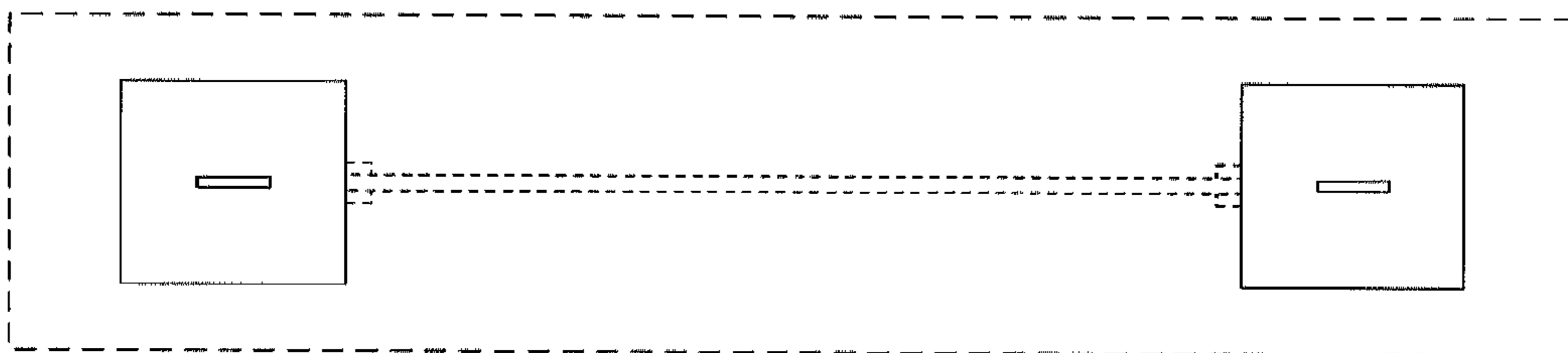


FIG. 25