



US00D667134S

(12) **United States Design Patent**
Updyke et al.

(10) **Patent No.:** **US D667,134 S**
(45) **Date of Patent:** **** Sep. 11, 2012**

(54) **ELECTROPHORESIS APPARATUS**

(75) Inventors: **Timothy Updyke**, Temecula, CA (US);
Paul Predki, Carlsbad, CA (US);
Evangeline Gonzalez, Poway, CA (US);
Randall Lowe, Encinitas, CA (US); **Tad Simons**, Palo Alto, CA (US)

(73) Assignee: **Life Technologies Corporation**,
Carlsbad, CA (US)

(**) Term: **14 Years**

(21) Appl. No.: **29/388,827**

(22) Filed: **Apr. 1, 2011**

(51) **LOC (9) Cl.** **24-01**

(52) **U.S. Cl.** **D24/233**

(58) **Field of Classification Search** D24/232-233;
D10/81; D14/371; 439/509, 911; 204/450,
204/451, 456, 461, 466, 608, 612, 616, 620,
204/606, 462, 554, 600; 700/266

See application file for complete search history.

(56) **References Cited**

U.S. PATENT DOCUMENTS

D231,609	S	*	5/1974	Ebata	D24/233
4,810,348	A	*	3/1989	Sarrine et al.	204/608
D315,952	S	*	4/1991	Berninger et al.	D24/233
5,147,522	A	*	9/1992	Sarrine	204/608
D430,304	S	*	8/2000	Oonuma et al.	D24/233
D516,733	S	*	3/2006	Pedraza et al.	D24/233
D524,948	S	*	7/2006	Pedraza et al.	D24/233

D564,378	S	*	3/2008	Kaushal et al.	D10/81
D564,924	S	*	3/2008	Kaushal et al.	D10/81
2011/0042213	A1	*	2/2011	Updyke et al.	204/461

* cited by examiner

Primary Examiner — Wan Laymon

(57) **CLAIM**

The ornamental design for an electrophoresis apparatus, as shown and described.

DESCRIPTION

FIG. 1 is a front and side perspective view of an electrophoresis apparatus for performing gel electrophoresis, imaging, and/or analysis, according to our design;

FIG. 2 is an enlarged front perspective view of the electrophoresis apparatus of FIG. 1;

FIG. 3 is an enlarged back perspective view of the electrophoresis apparatus of FIG. 1;

FIG. 4 is an enlarged side perspective view of the electrophoresis apparatus of FIG. 1;

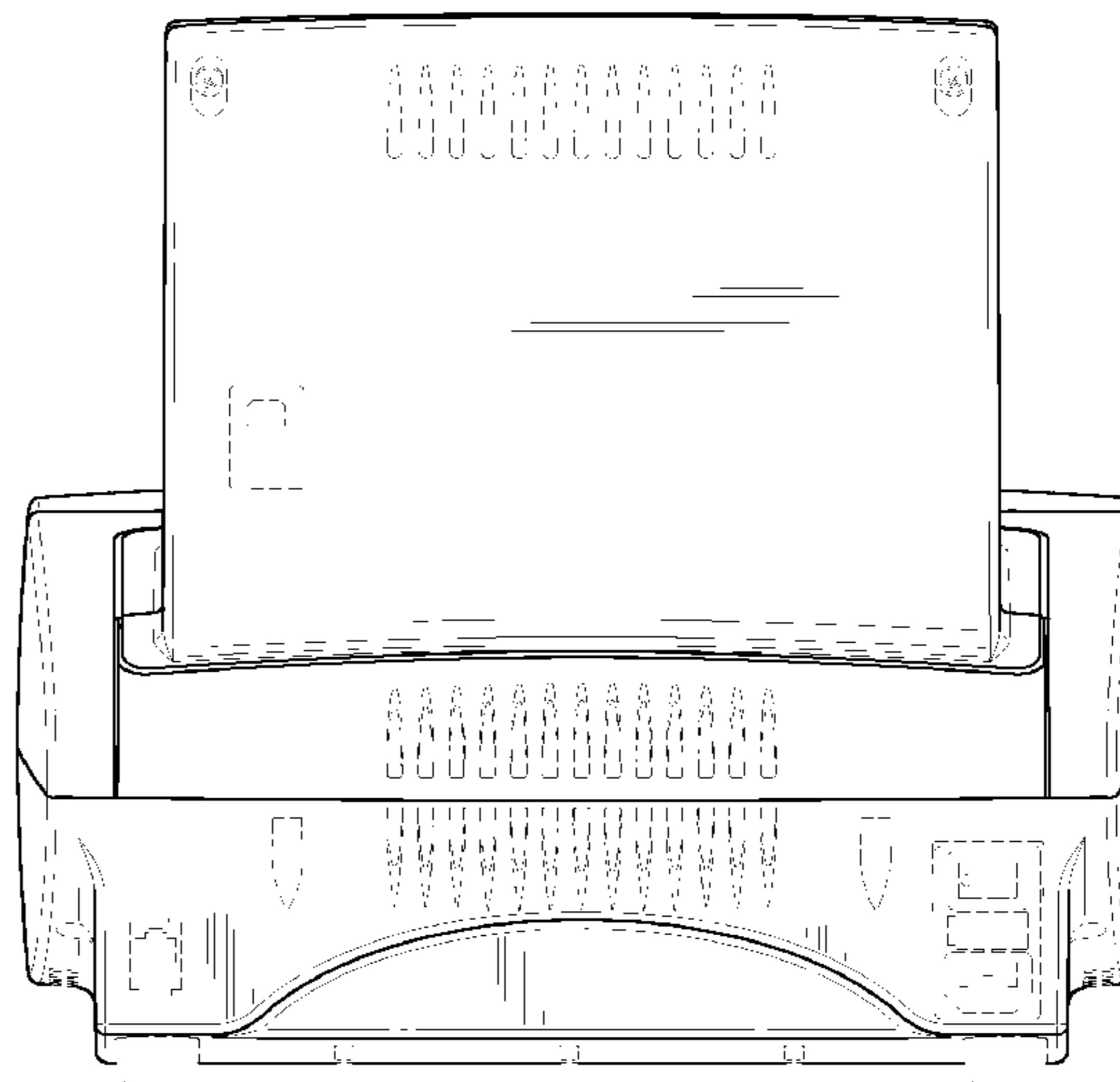
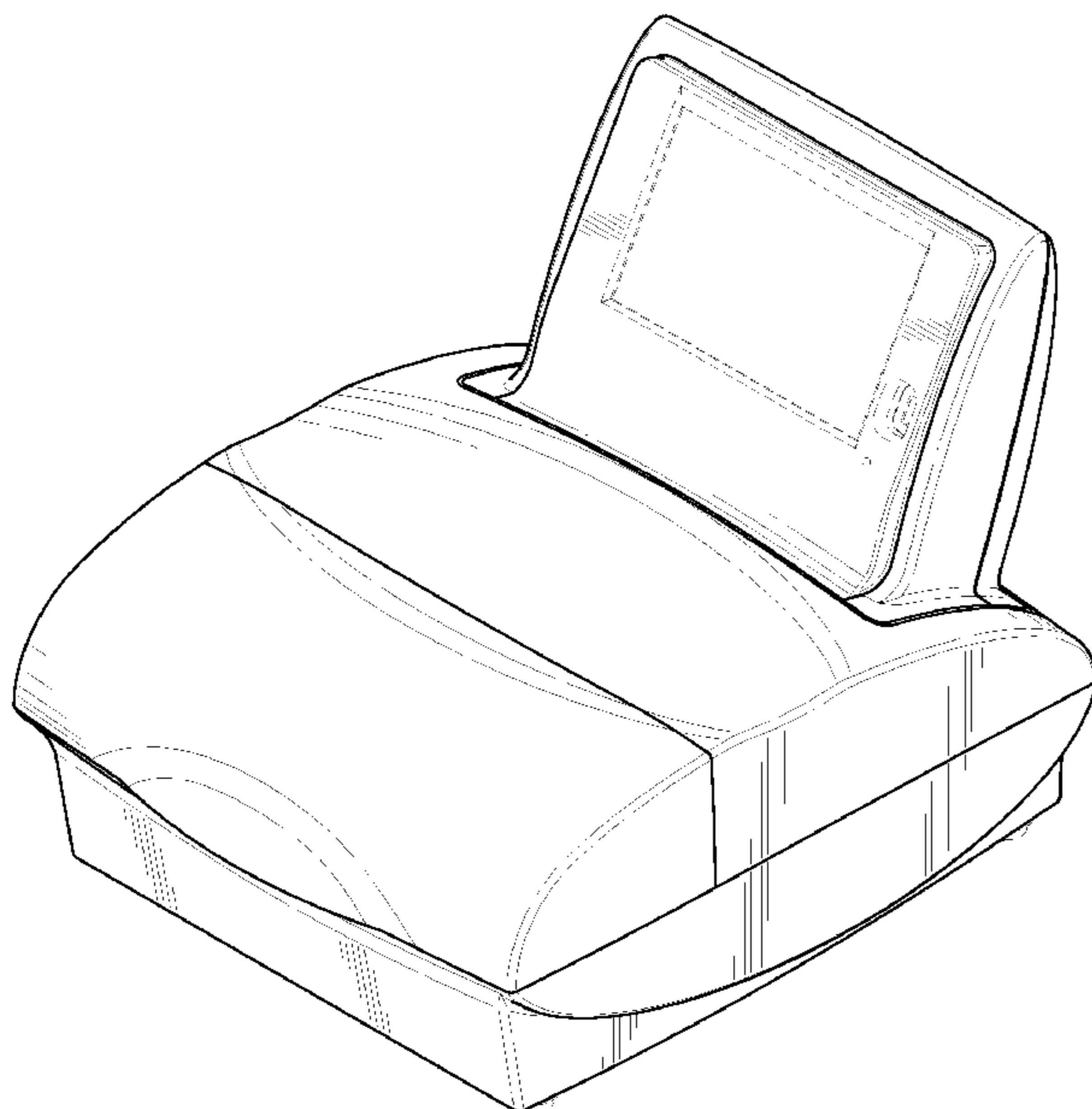
FIG. 5 is an enlarged side perspective view of the electrophoresis apparatus of FIG. 1;

FIG. 6 is an enlarged top side perspective view of the electrophoresis apparatus of FIG. 1; and,

FIG. 7 is an enlarged bottom perspective view of the electrophoresis apparatus of FIG. 1.

Portions of the electrophoresis apparatus shown in broken lines form no part of the claimed design.

1 Claim, 7 Drawing Sheets



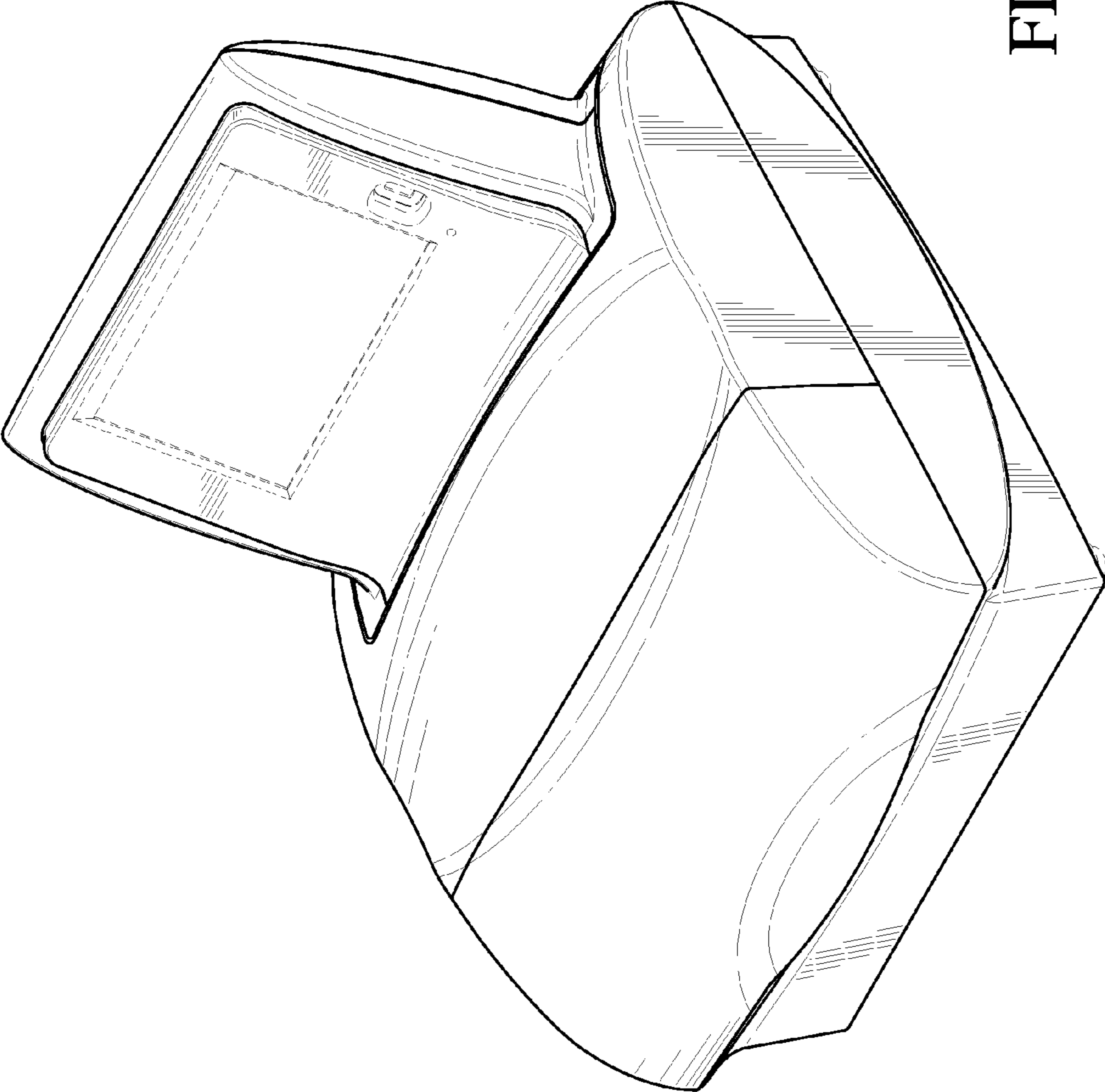


FIG. 1

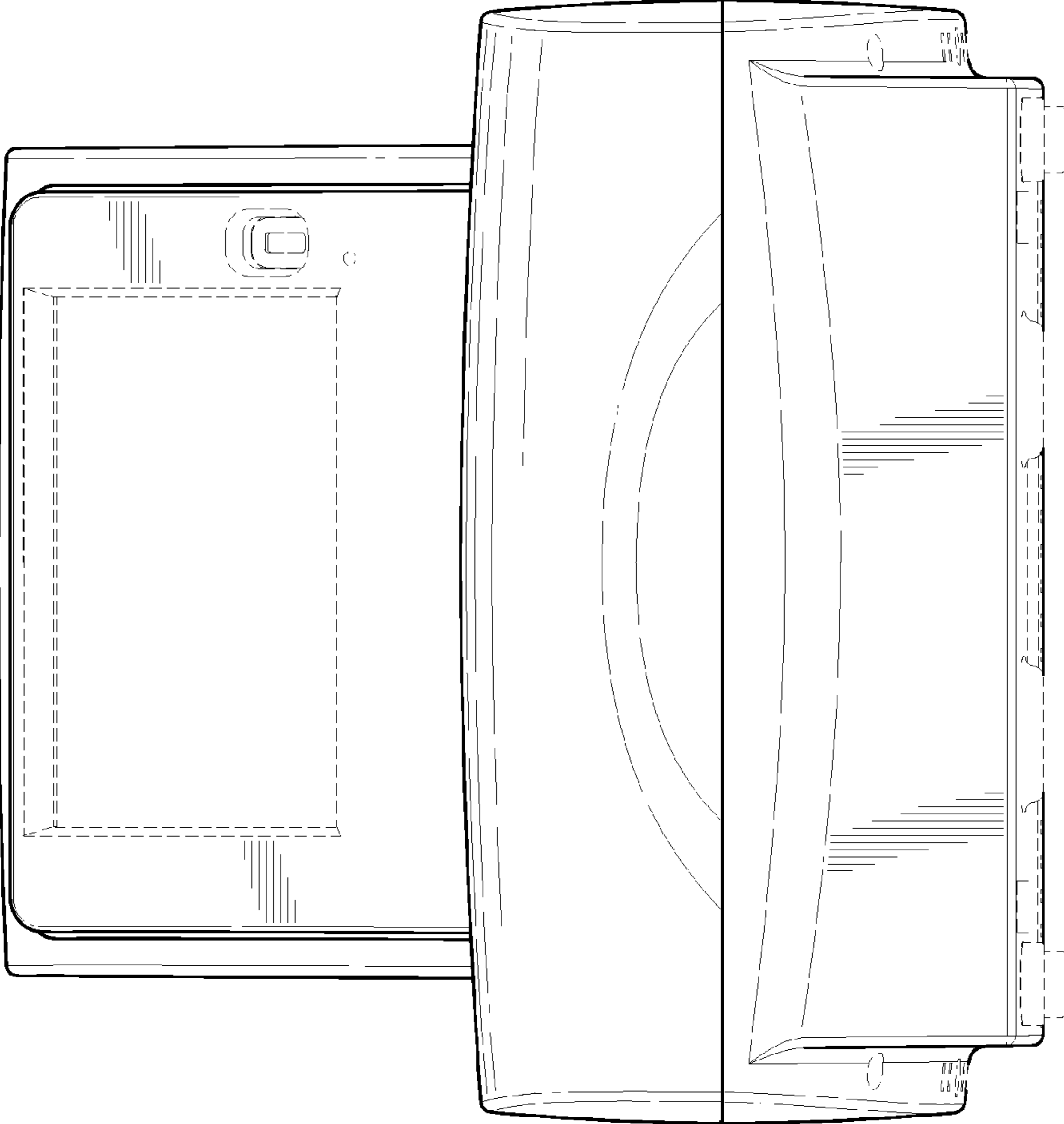


FIG. 2

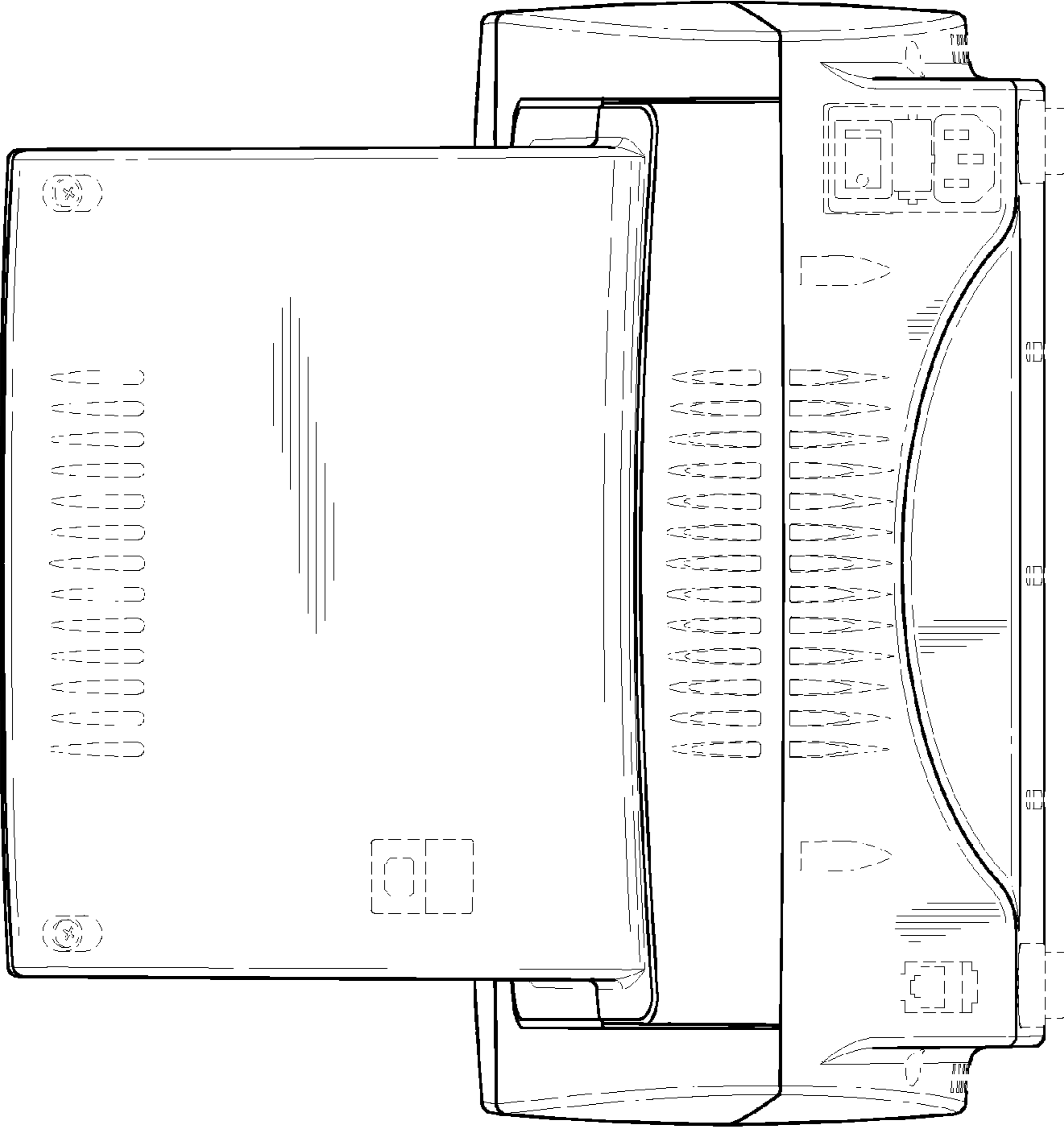


FIG. 3

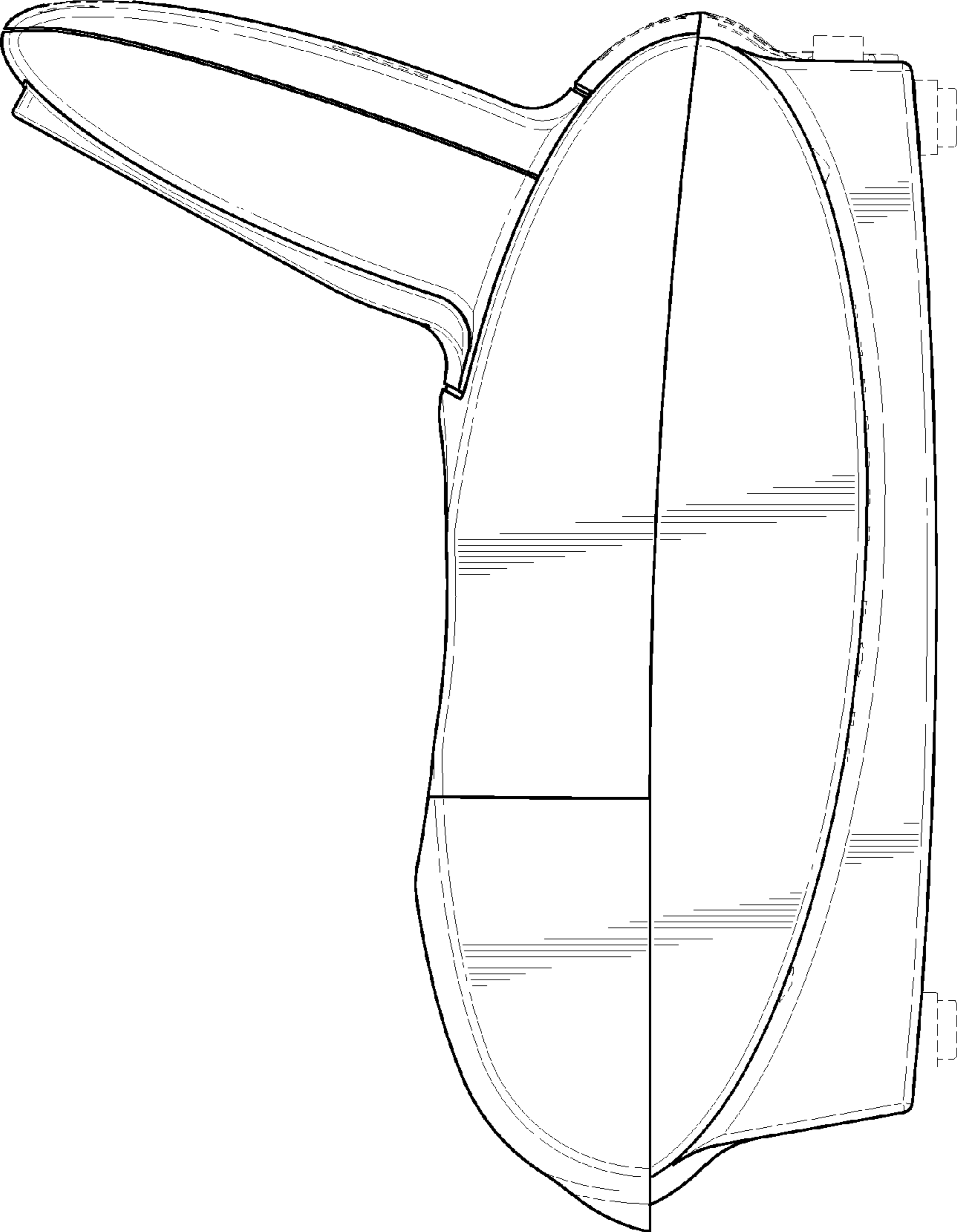


FIG. 4

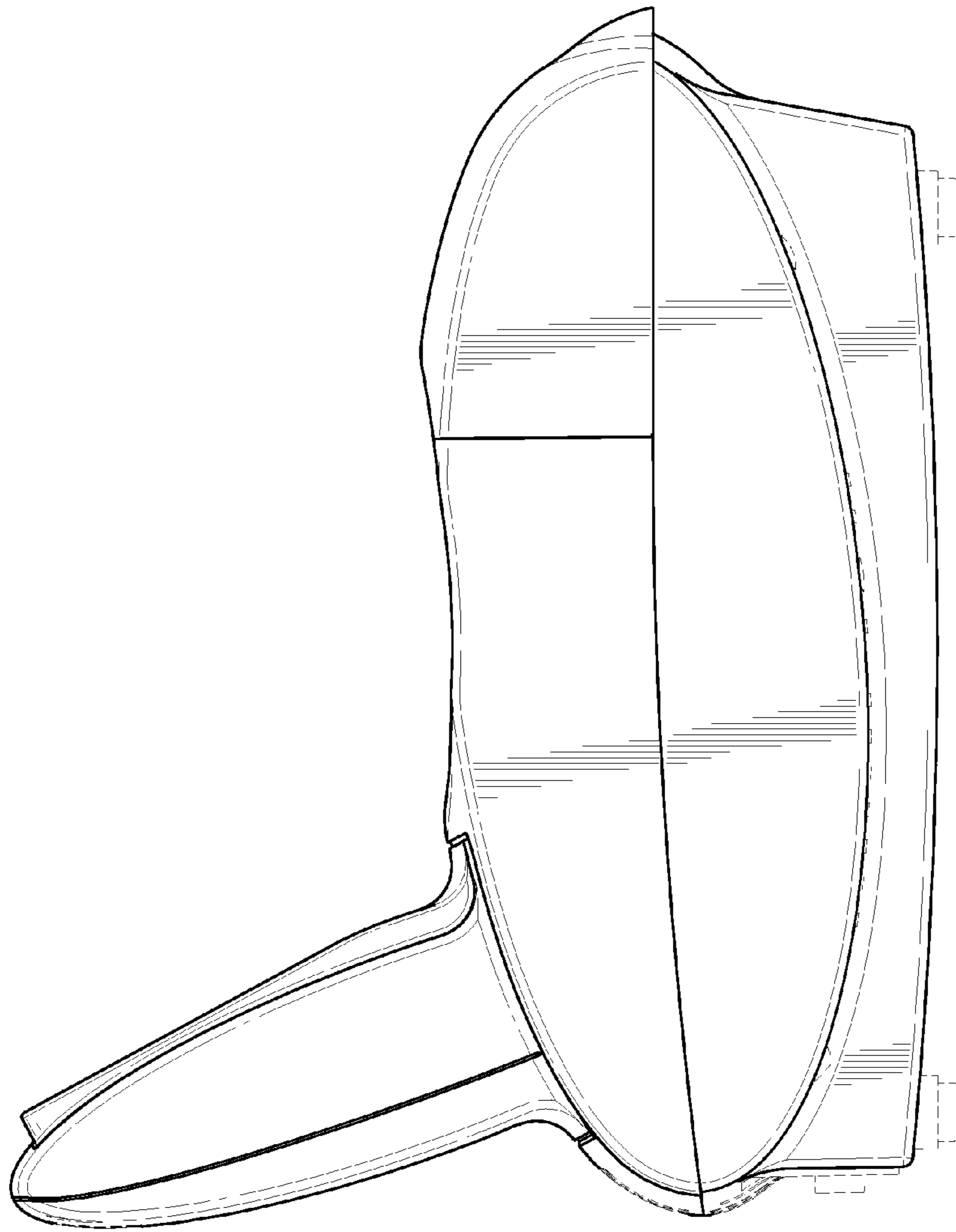


FIG. 5

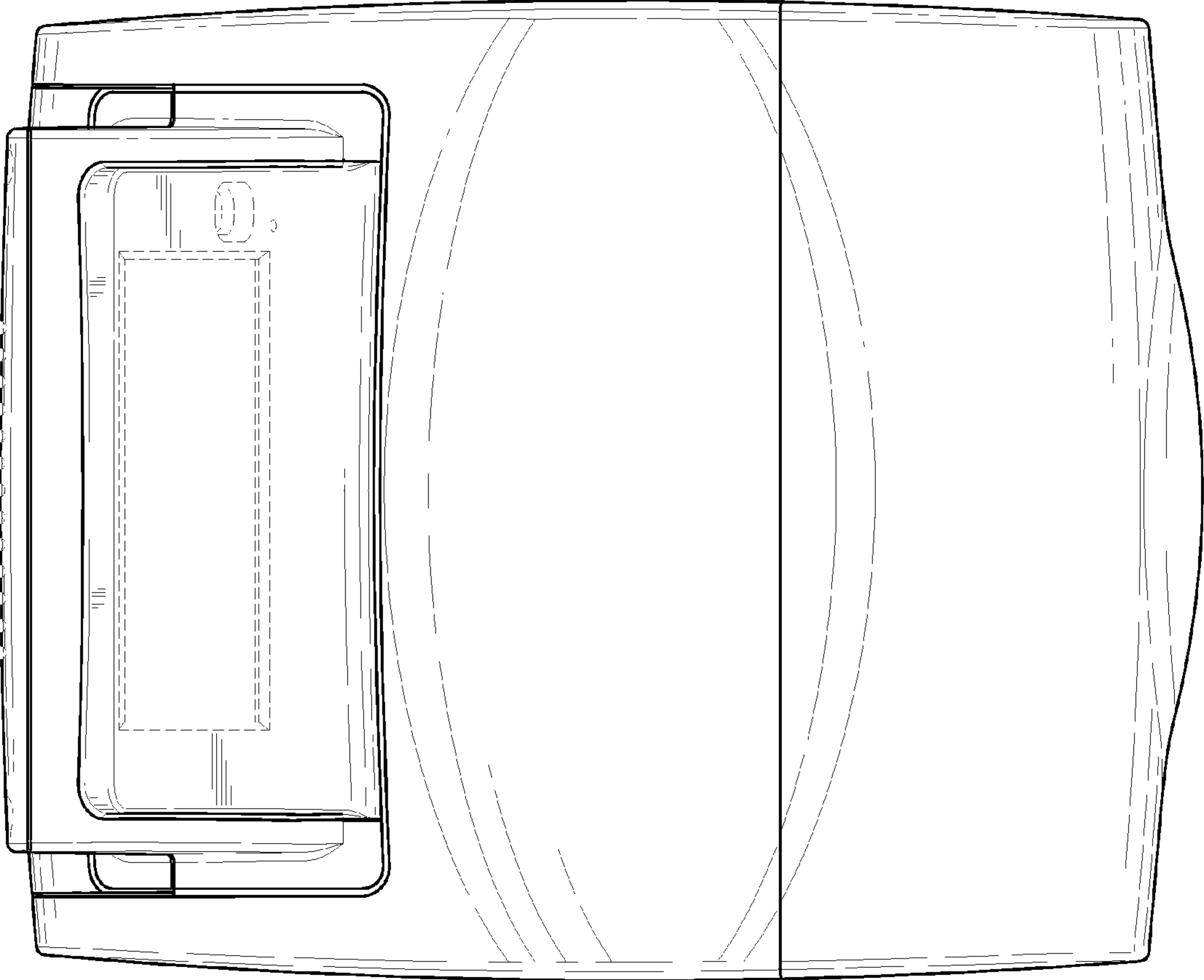


FIG. 6

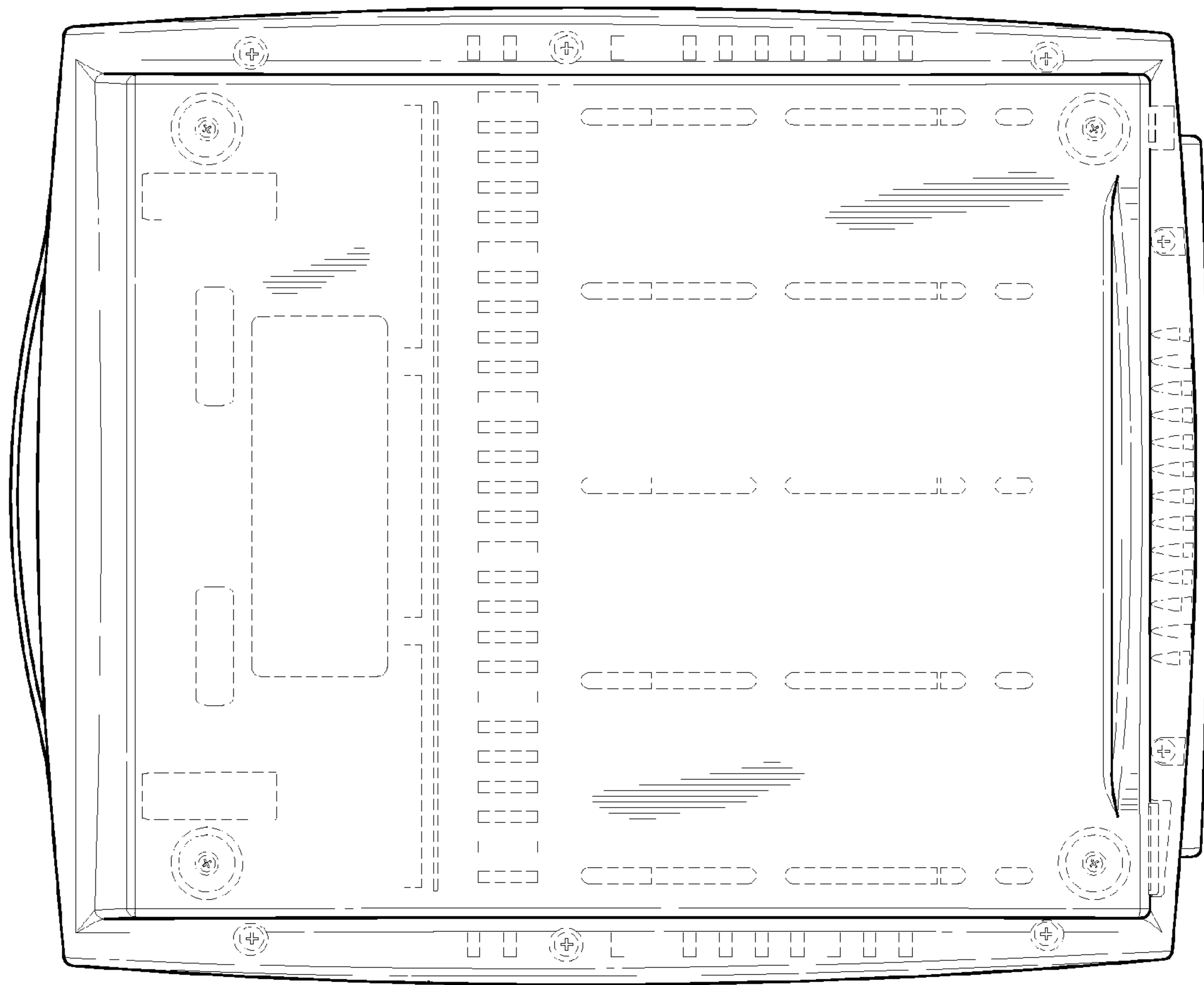


FIG. 7