



US00D667128S

(12) **United States Design Patent**
Pierce

(10) **Patent No.:** **US D667,128 S**

(45) **Date of Patent:** **** Sep. 11, 2012**

(54) **KNEE BRACE**

(75) Inventor: **Brendan Pierce**, San Jose, CA (US)

(73) Assignee: **POD I.P. Pty Ltd.**, Torquay, Victoria (AU)

(**) Term: **14 Years**

(21) Appl. No.: **29/398,478**

(22) Filed: **Aug. 1, 2011**

(30) **Foreign Application Priority Data**

Feb. 8, 2011 (AU) 10373/2011

(51) **LOC (9) Cl.** **24-01**

(52) **U.S. Cl.** **D24/190**

(58) **Field of Classification Search** D24/190,
D24/192; D29/121.1; 602/3, 5, 6, 16, 21-23,
602/26, 27, 30, 60-66

See application file for complete search history.

(56) **References Cited**

U.S. PATENT DOCUMENTS

D318,736	S *	7/1991	Castillo	D24/190
5,230,697	A *	7/1993	Castillo et al.	602/16
D346,028	S *	4/1994	Lengyel	D24/190
D357,070	S *	4/1995	Castillo	D24/190
5,782,780	A *	7/1998	Mason et al.	602/6
D416,624	S *	11/1999	Nauert	D24/190
D433,756	S *	11/2000	Castillo	D24/190
6,994,682	B2	2/2006	Bauerfeind et al.		
D558,884	S *	1/2008	Ingimundarson et al.	...	D24/190

D577,828	S *	9/2008	Ingimundarson et al.	...	D24/190
7,481,785	B2	1/2009	Turrini et al.		
7,749,183	B2 *	7/2010	Ingimundarson et al.	602/26
7,850,632	B2 *	12/2010	Gilmour	602/26
7,935,068	B2 *	5/2011	Einarsson	602/26
8,048,013	B2 *	11/2011	Ingimundarson et al.	602/26
8,128,587	B2 *	3/2012	Stevenson et al.	602/26
D657,879	S *	4/2012	Lee et al.	D24/190
8,157,756	B2 *	4/2012	Schimek et al.	602/26
2012/0046584	A1	2/2012	Maloney		

FOREIGN PATENT DOCUMENTS

WO	WO 2006/053391	A1	5/2006
WO	WO 2008/061300	A1	5/2008
WO	WO 2010/088716	A1	8/2010

* cited by examiner

Primary Examiner — Susan E Krakower

(74) *Attorney, Agent, or Firm* — Hamilton, Brook, Smith & Reynolds, P.C.

(57) **CLAIM**

The ornamental design for a knee brace, as shown and described.

DESCRIPTION

FIG. 1 is a front perspective view of a knee brace showing my new design;

FIG. 2 is a front view of the knee brace;

FIG. 3 is a back view of the knee brace;

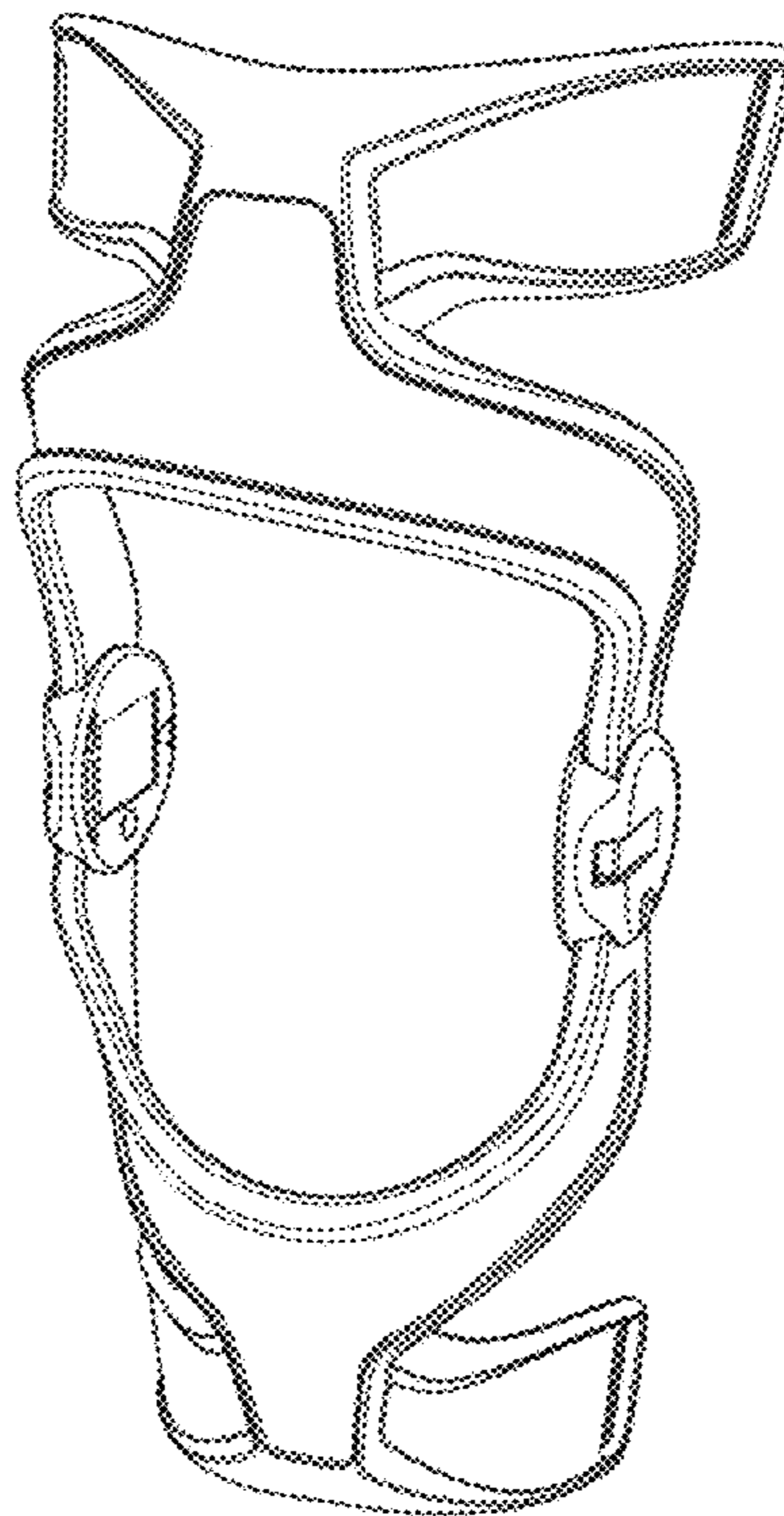
FIG. 4 is a left side view of the knee brace;

FIG. 5 is a right side view of the knee brace;

FIG. 6 is a top view of the knee brace; and,

FIG. 7 is a bottom view of the knee brace.

1 Claim, 6 Drawing Sheets



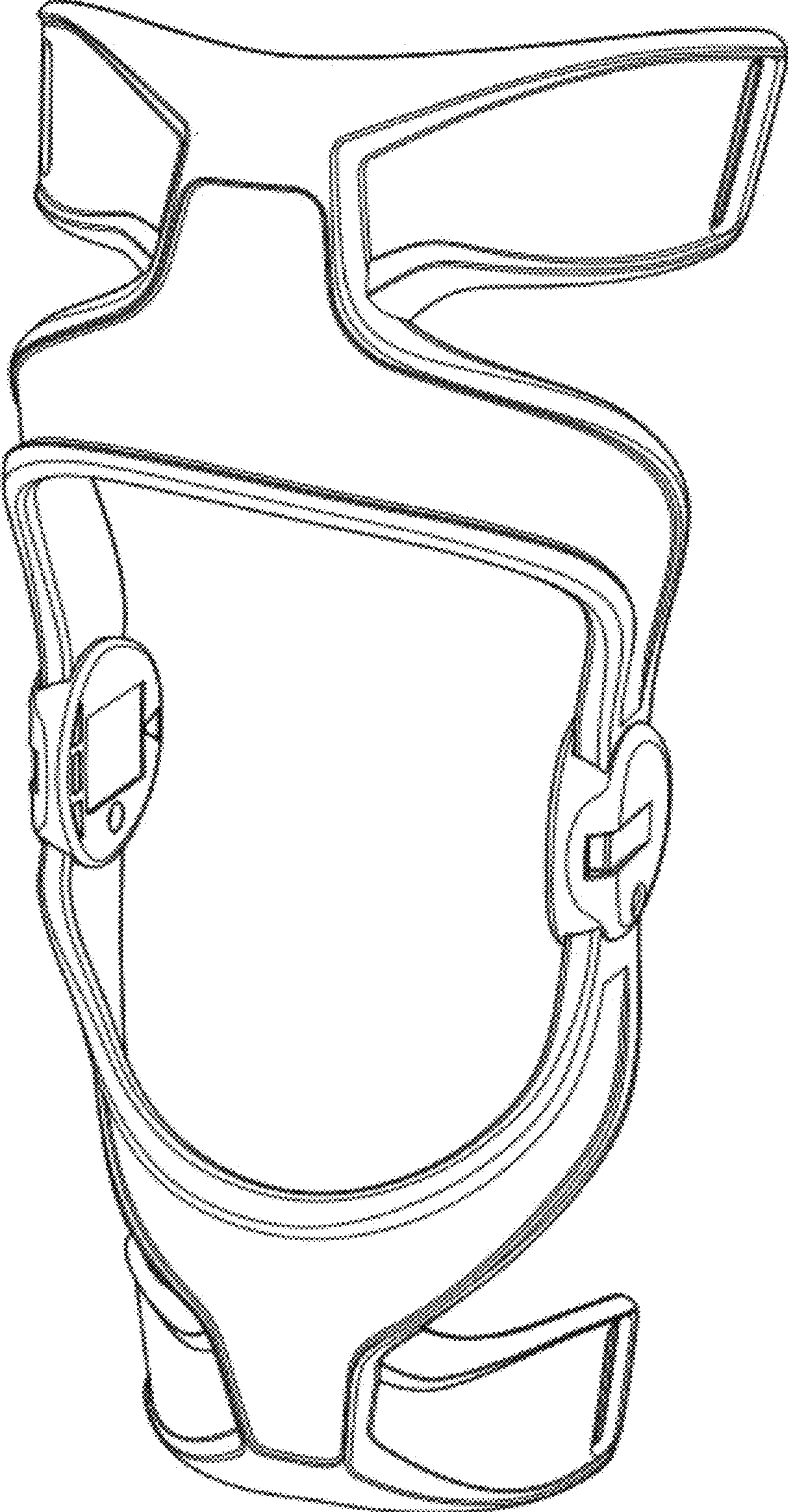


FIG. 1

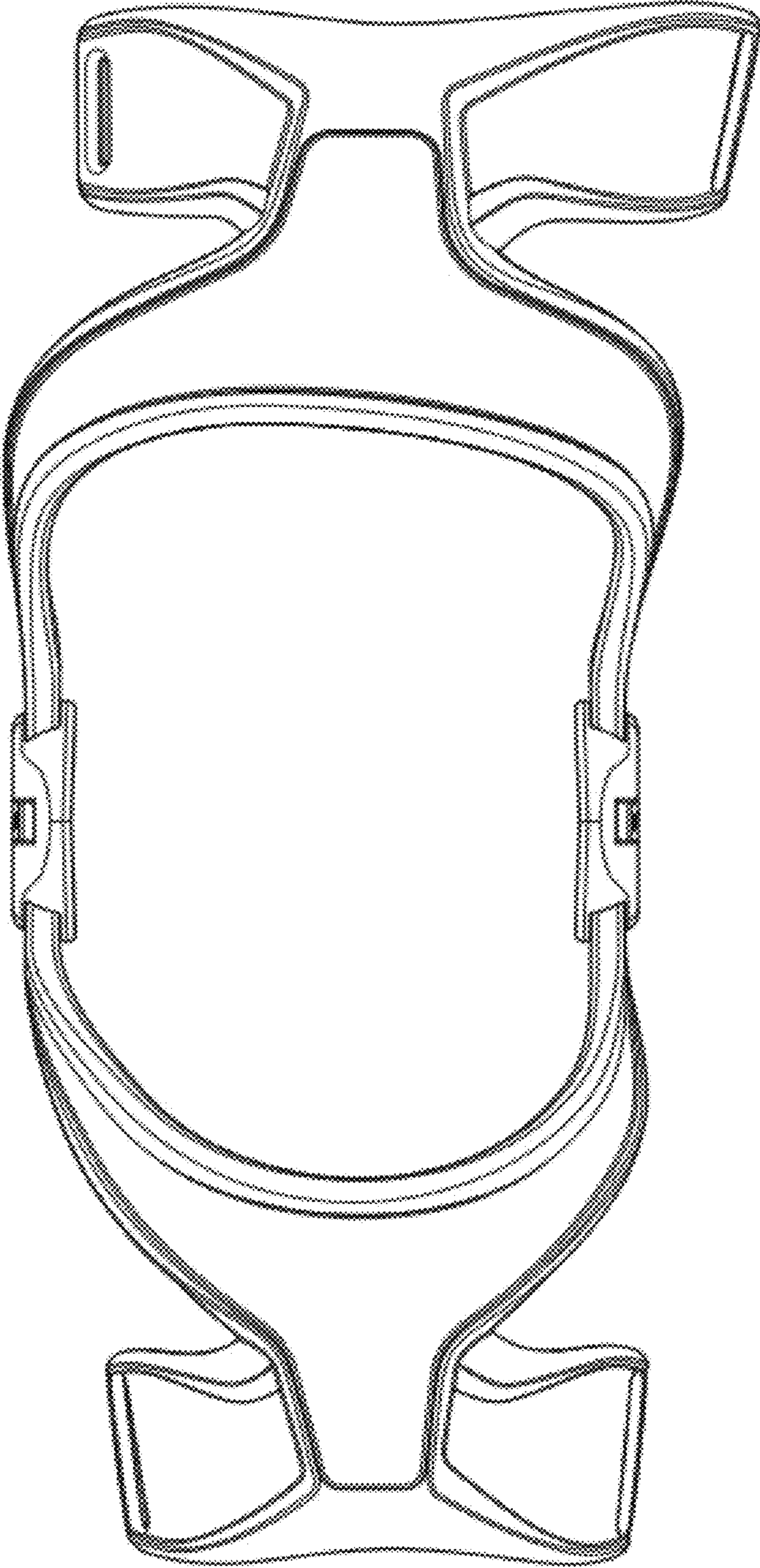


FIG. 2

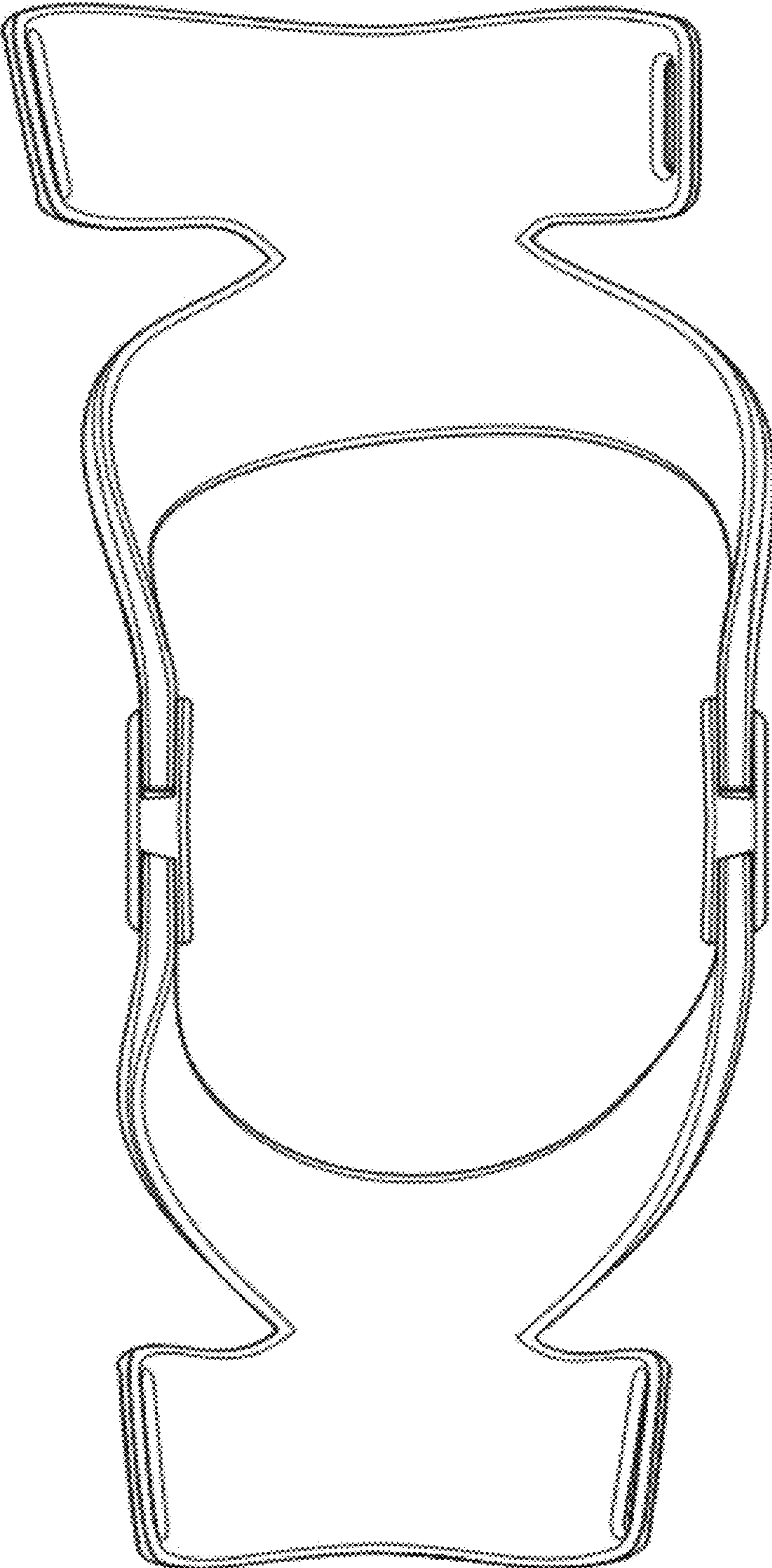


FIG. 3

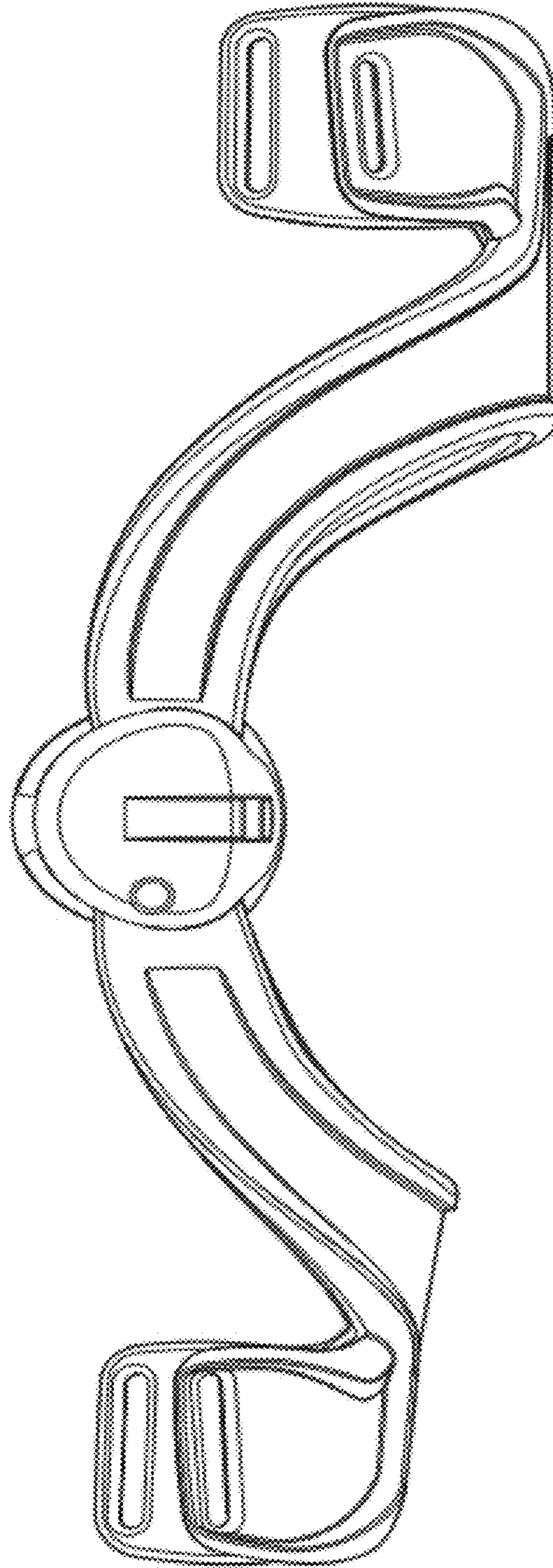


FIG. 4

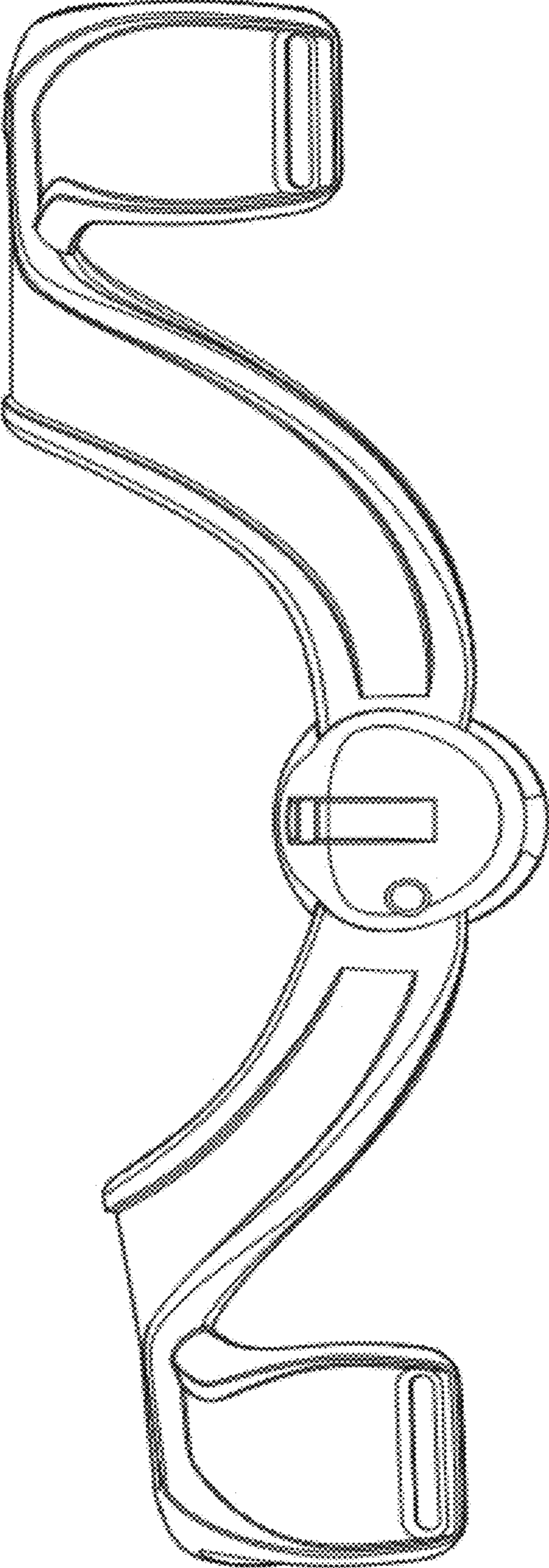


FIG. 5

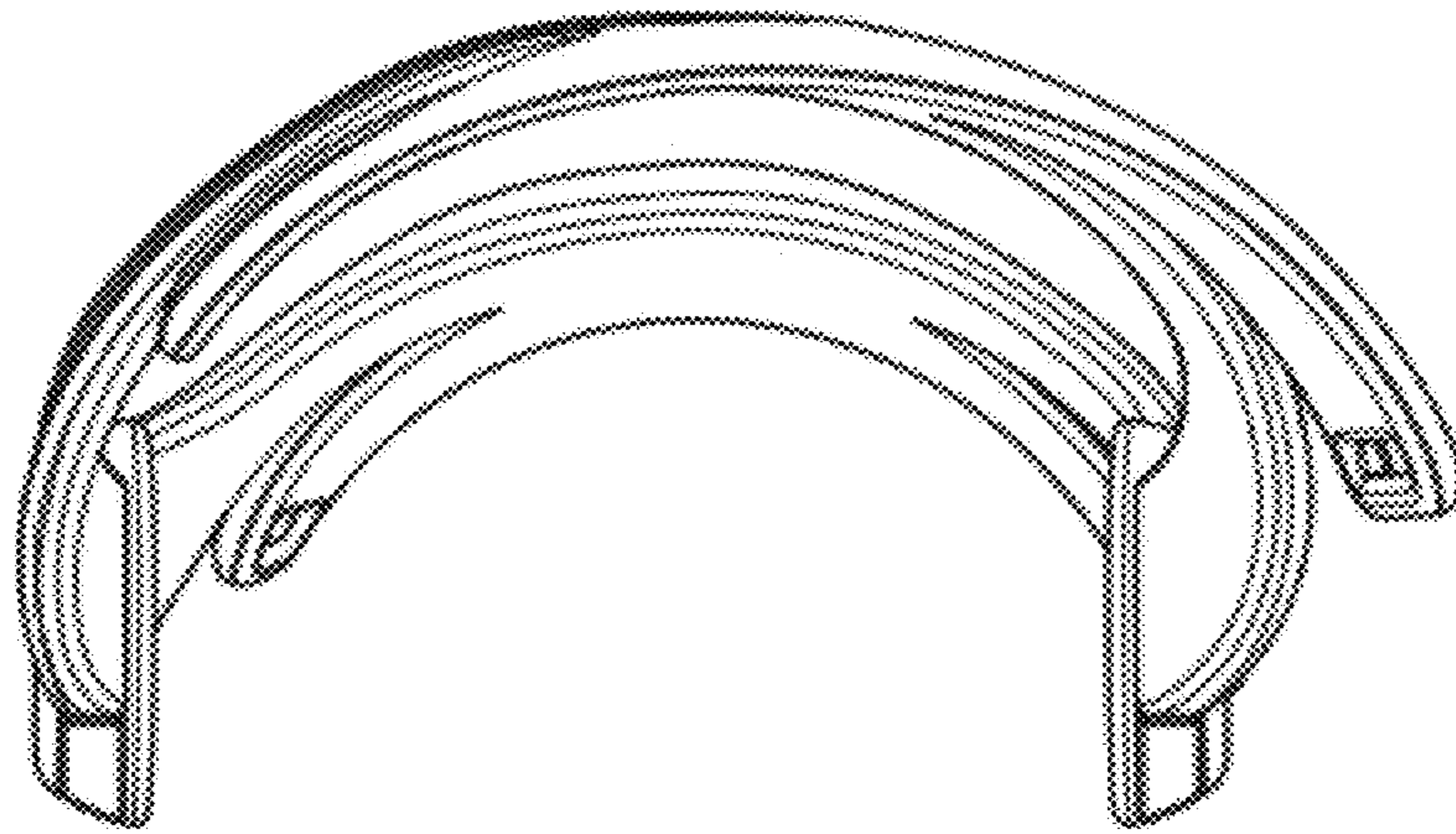


FIG. 6

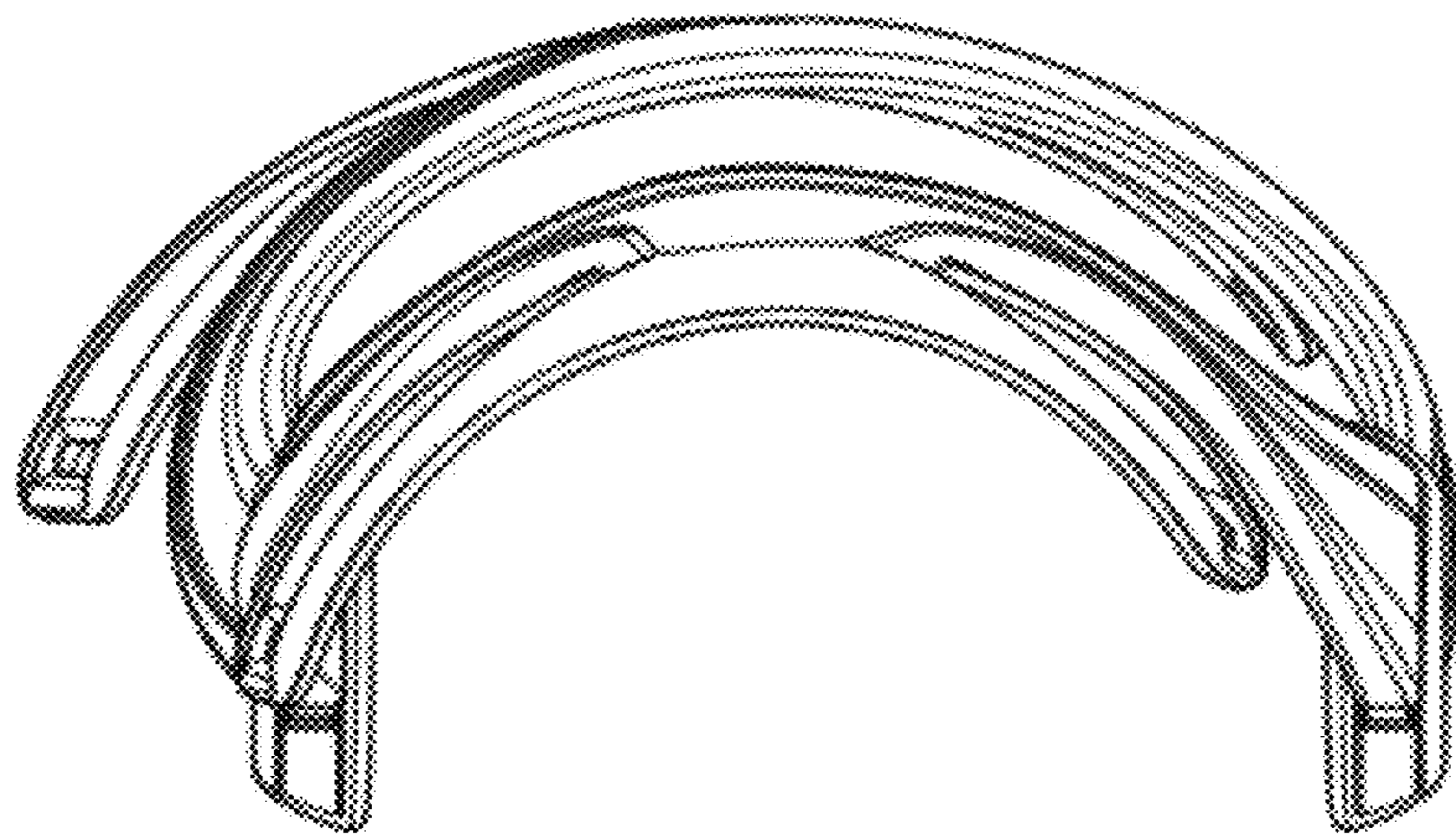


FIG. 7