

US00D667127S

(12) **United States Design Patent**
Lindberg et al.

(10) **Patent No.:** **US D667,127 S**

(45) **Date of Patent:** **** Sep. 11, 2012**

(54) **SENSOR OF A HEART RATE BELT**

(75) Inventors: **Phillip Lindberg**, Helsinki (FI); **Kimmo Pernu**, Espoo (FI); **Timo Yliluoma**, Helsinki (FI); **Elizabeth Salonen**, Helsinki (FI); **Tapio Selby**, Tolkkinen (FI)

(73) Assignee: **Suunto Oy**, Vantaa (FI)

(**) Term: **14 Years**

(21) Appl. No.: **29/313,019**

(22) Filed: **Dec. 3, 2008**

(51) **LOC (9) Cl.** **24-01**

(52) **U.S. Cl.** **D24/187**

(58) **Field of Classification Search** D24/128,
D24/165, 167-168, 186-187, 200, 232; D10/30-32,
D10/46; 600/372-384, 390-391, 500, 503,
600/509; 607/62, 109, 121, 129, 139

See application file for complete search history.

(56) **References Cited**

U.S. PATENT DOCUMENTS

D272,943 S * 3/1984 Stone et al. D24/187
D385,037 S * 10/1997 Jensen D24/187
D458,376 S * 6/2002 Rouns et al. D24/168

D492,783 S * 7/2004 Lax D24/167
D492,999 S * 7/2004 Lax D24/167
6,928,317 B2 * 8/2005 Chen 600/509
D519,636 S * 4/2006 Okuda et al. D24/168
7,167,737 B2 * 1/2007 Fujii et al. 600/390
7,330,751 B2 * 2/2008 Ueda 600/382
D567,949 S * 4/2008 Lash et al. D24/168

* cited by examiner

Primary Examiner — T. Chase Nelson

Assistant Examiner — Mark Cavanna

(74) *Attorney, Agent, or Firm* — Terence P. O'Brien

(57) **CLAIM**

We claim the ornamental design for a sensor of a heart rate belt, as shown and described.

DESCRIPTION

FIG. 1 is a top, rear perspective view of a sensor of a heart rate belt.

FIG. 2 is a front perspective view of the sensor of FIG. 1; and, FIG. 3 is a rear perspective view of the sensor of FIG. 1.

The broken lines shown in FIG. 1 are included for the purpose of illustrating environmental elements and form no part of the claimed design. The dash-dot lines in FIGS. 1 through 3 at the ends of the claimed portions of the sensor of a heart rate belt define the boundaries of the claim.

1 Claim, 2 Drawing Sheets

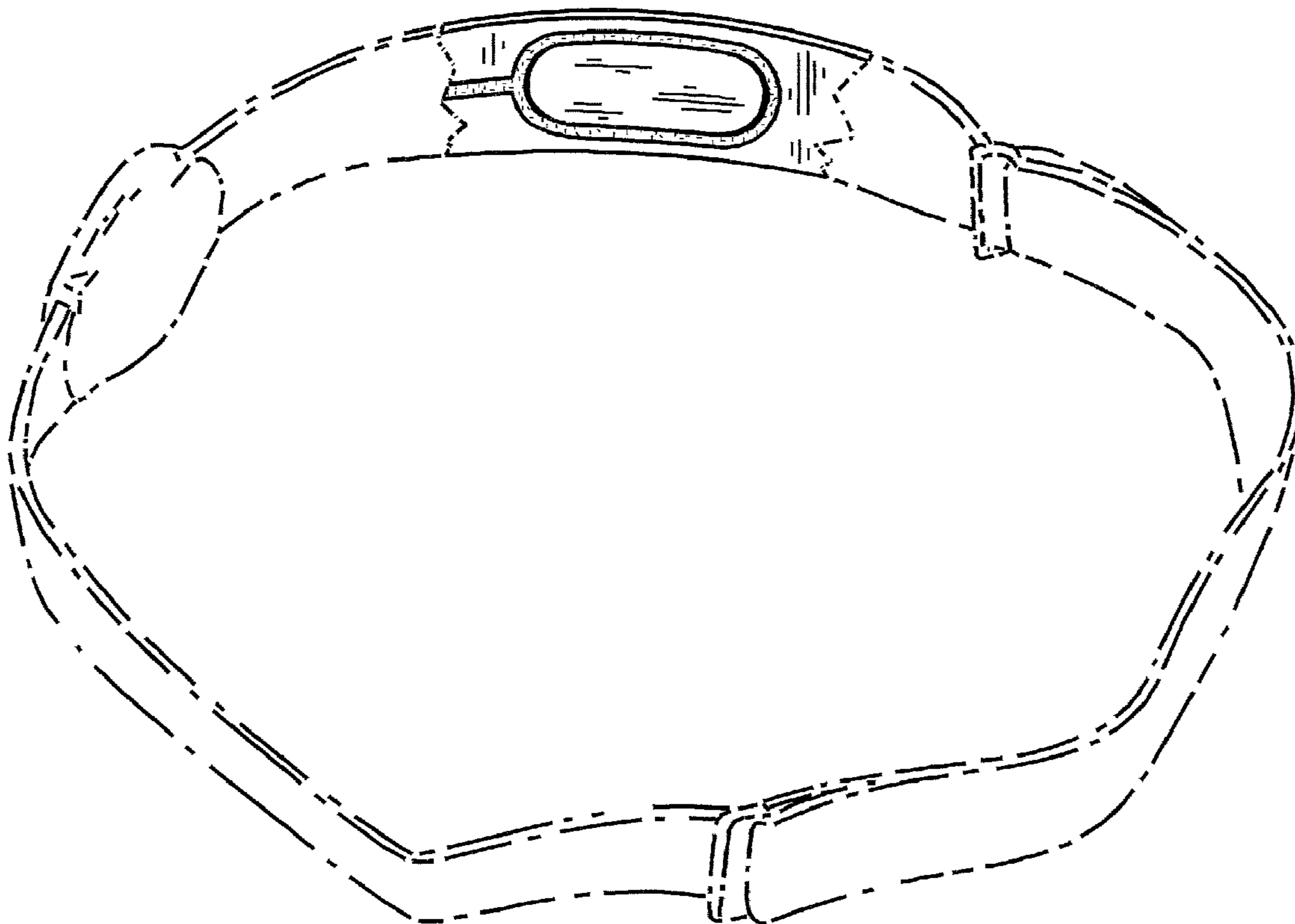
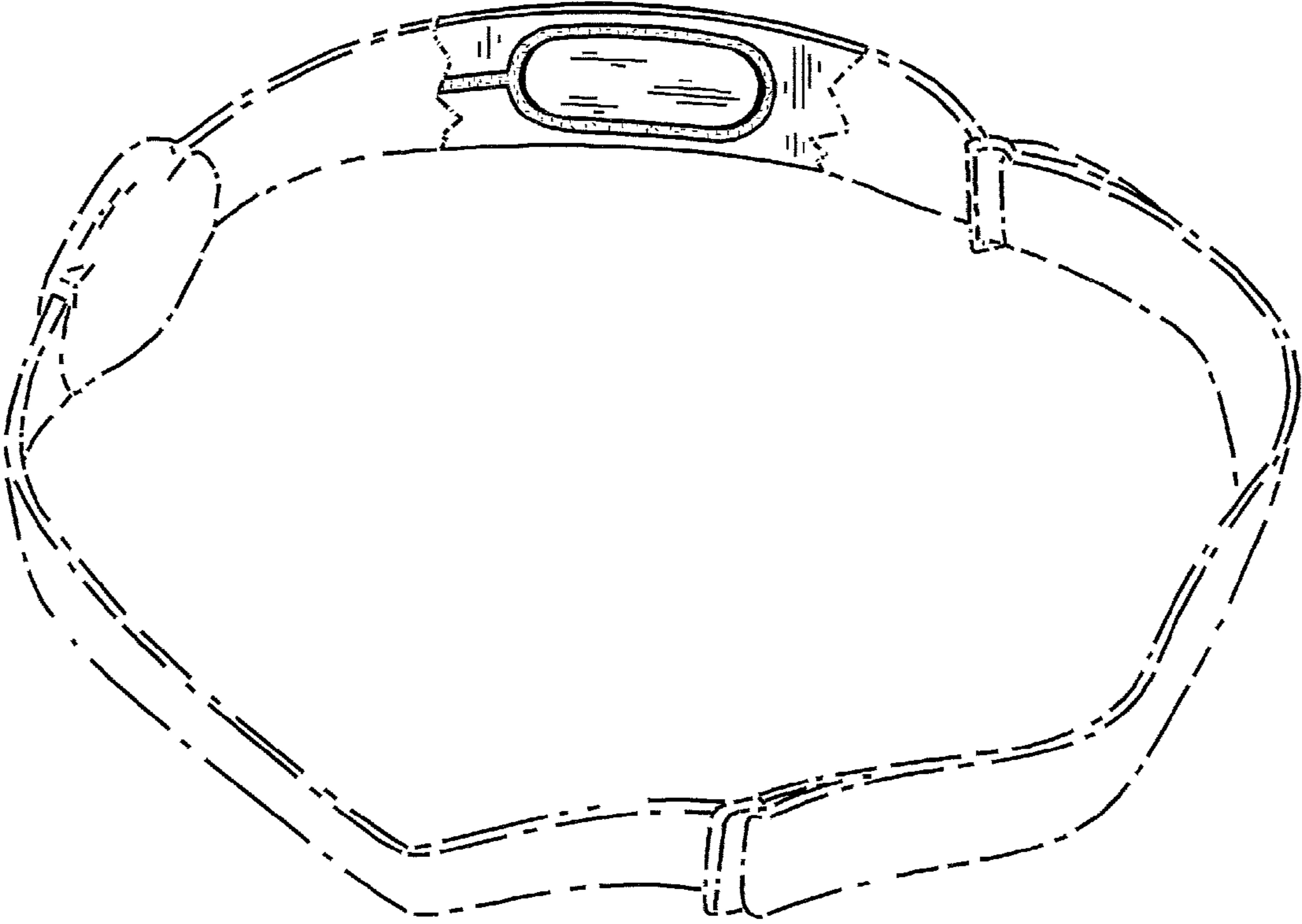


FIG. 1



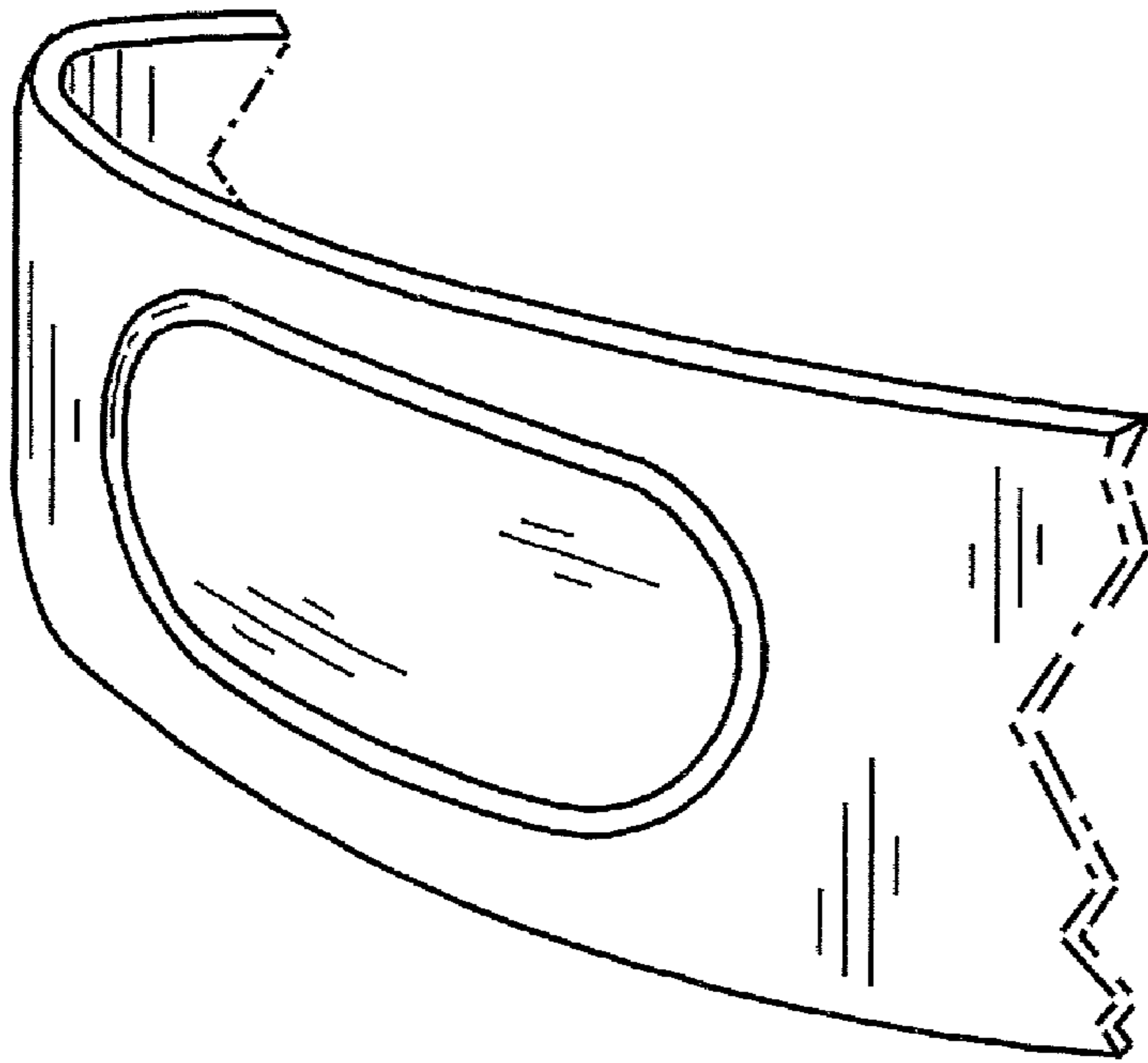


FIG. 2

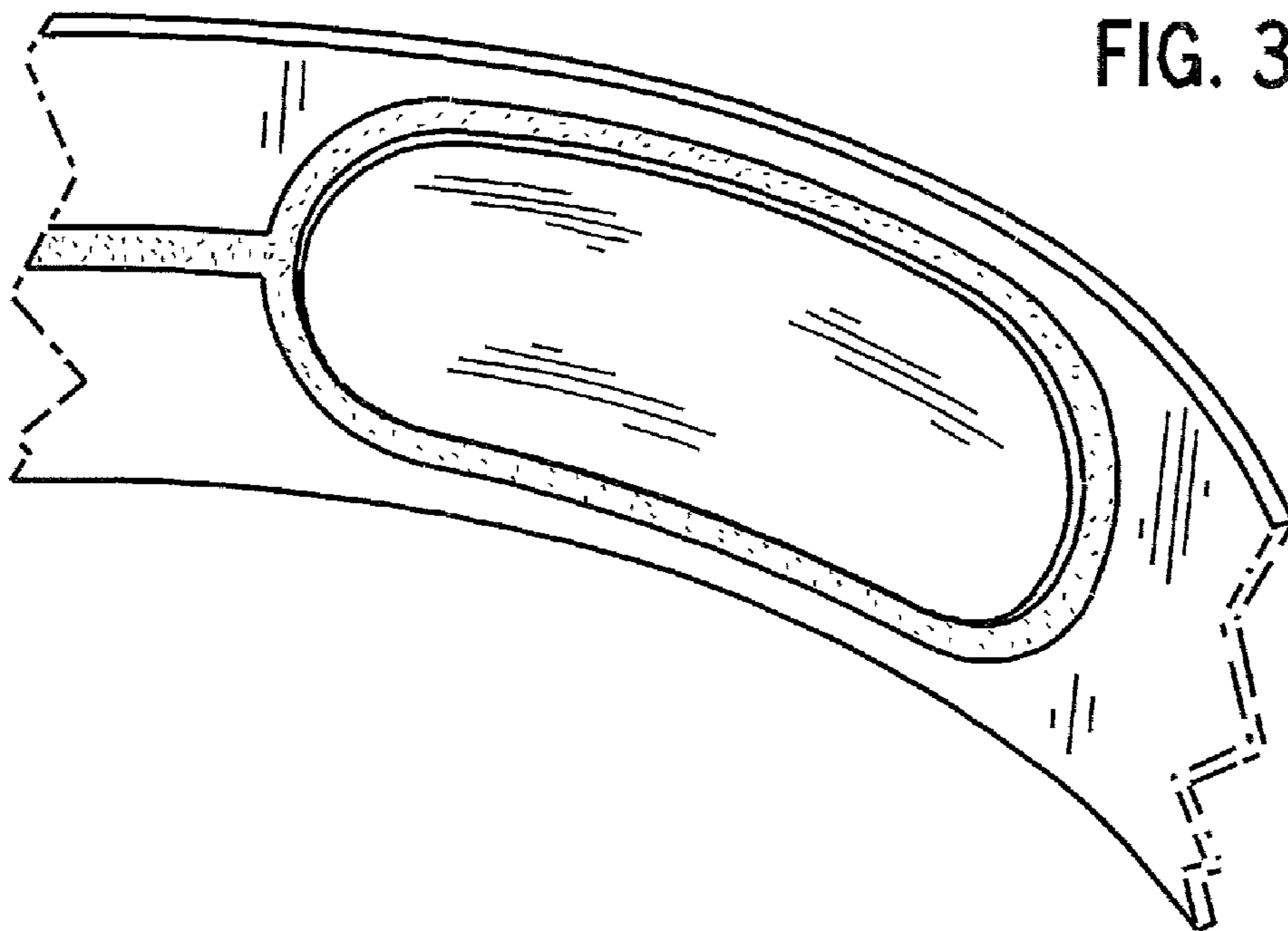


FIG. 3