



US00D667126S

(12) **United States Design Patent**
Cho et al.

(10) **Patent No.:** **US D667,126 S**

(45) **Date of Patent:** **** Sep. 11, 2012**

(54) **DEVICE FOR MEASURING VITAL SIGNS ASSEMBLY**

(75) Inventors: **Yoonyoung Cho**, Seoul (KR); **Sungsoo Jun**, Seoul (KR)

(73) Assignee: **LG Electronics Inc.**, Seoul (KR)

(**) Term: **14 Years**

(21) Appl. No.: **29/399,688**

(22) Filed: **Aug. 17, 2011**

(30) **Foreign Application Priority Data**

Feb. 22, 2011 (KR) 30-2011-0006911

(51) **LOC (9) Cl.** **24-01**

(52) **U.S. Cl.** **D24/186**

(58) **Field of Classification Search** D24/168,
D24/186-187, 200, 232, 164-165; D13/182;
600/372-384, 391-397, 386, 500-503, 476-479;
607/62, 109, 121, 139, 149, 152, 153; D10/30-32;
D11/3, 26

See application file for complete search history.

(56) **References Cited**

U.S. PATENT DOCUMENTS

D355,610	S	*	2/1995	Sugita	D10/31
D355,858	S	*	2/1995	Sugita	D10/39
D362,070	S	*	9/1995	Willis	D24/186
D373,419	S	*	9/1996	Muramatsu et al.	D24/165
5,735,800	A	*	4/1998	Yasukawa et al.	600/503
D398,999	S	*	9/1998	Maeda et al.	D24/165
5,807,267	A	*	9/1998	Bryars et al.	600/500
D403,070	S	*	12/1998	Maeda et al.	D24/165
D406,346	S	*	3/1999	Hirakawa	D24/165
D407,492	S	*	3/1999	Lubs et al.	D24/165
D426,637	S	*	6/2000	Ochi et al.	D24/165
D440,163	S	*	4/2001	Callis	D10/32
D450,613	S	*	11/2001	Rantala	D11/3
D450,849	S	*	11/2001	Rantala	D24/165
6,314,058	B1	*	11/2001	Lee	600/503
D451,420	S	*	12/2001	Komulainen	D11/3
D452,005	S	*	12/2001	Rantala	D24/165

D452,006	S	*	12/2001	Komulainen	D24/167
D463,561	S	*	9/2002	Fukatsu et al.	D24/165
D475,136	S	*	5/2003	Taniguchi	D24/165
D507,498	S	*	7/2005	Hung	D10/31
6,928,317	B2	*	8/2005	Chen	600/509
D540,695	S	*	4/2007	Leung	D10/31
D606,656	S	*	12/2009	Kobayashi et al.	D24/167
D627,888	S	*	11/2010	Leu	D24/164
D637,094	S	*	5/2011	Cobbett et al.	D10/32
D637,918	S	*	5/2011	Cobbett et al.	D10/31
D645,968	S	*	9/2011	Kasabach et al.	D24/186
D656,615	S	*	3/2012	Tzeng	D11/26

* cited by examiner

Primary Examiner — T. Chase Nelson

Assistant Examiner — Mark Cavanna

(74) *Attorney, Agent, or Firm* — Morgan, Lewis & Bockius LLP

(57) **CLAIM**

The ornamental design for a device for measuring vital signs assembly, as shown and described.

DESCRIPTION

FIG. 1 is a perspective view of a device for measuring vital signs assembly showing our new design with the main body inserted into a band;

FIG. 2 is a front view thereof;

FIG. 3 is a rear view thereof;

FIG. 4 is a left side view thereof where the right side view is a mirror image;

FIG. 5 is a top plan view thereof;

FIG. 6 is a bottom plan view thereof;

FIG. 7 is an exploded view showing the state in which the main body is being inserted into the band; and,

FIG. 8 is a perspective view showing the state in which the main body is hanging on a necklace.

The broken lines depicting the necklace seen in FIG. 8 are for purposes of illustrating an environment of use and form no part of the claimed design. The dot-dash lines in the FIG. 7 exploded view indicate the order of assembly, and also form no part of the claimed design.

1 Claim, 8 Drawing Sheets

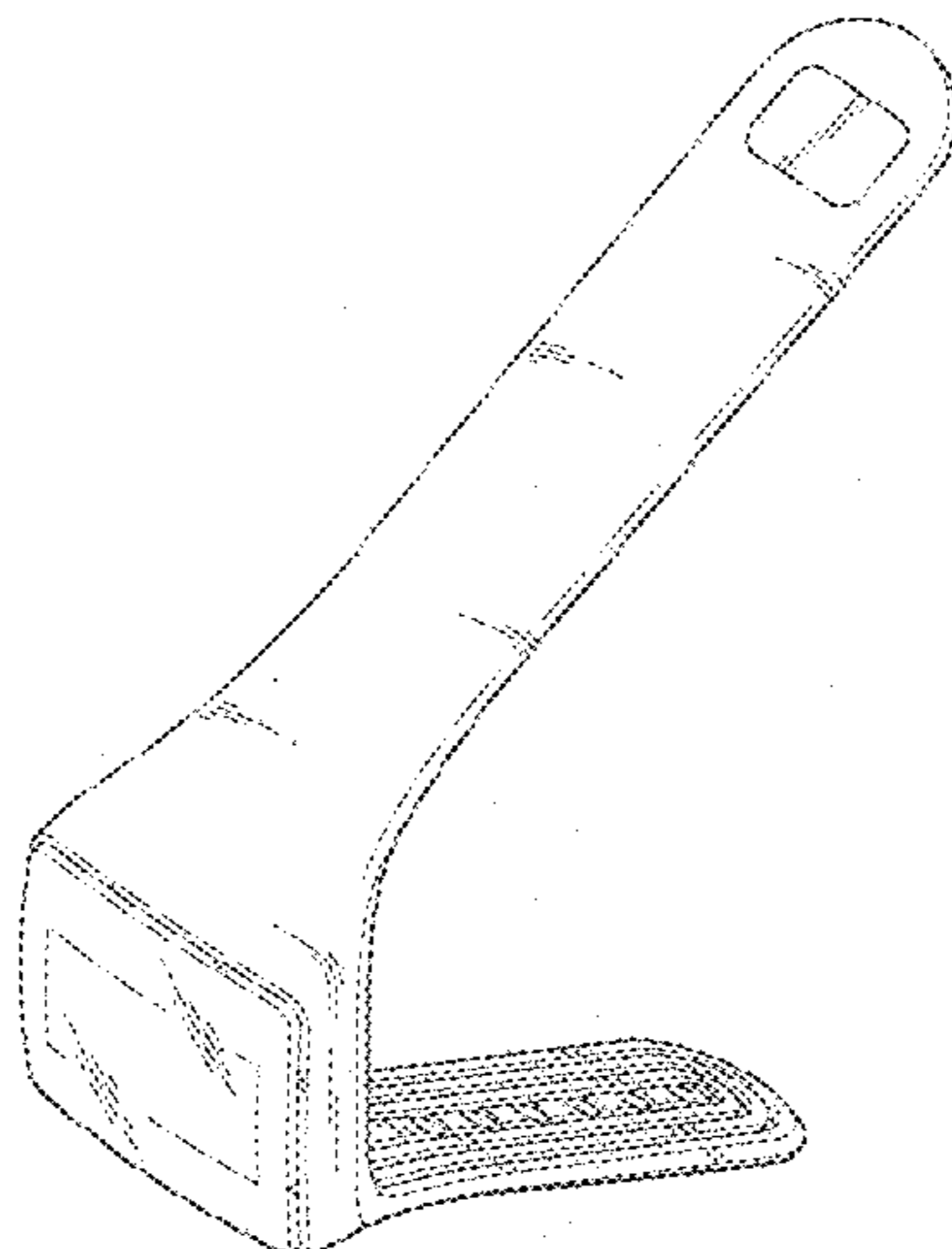


FIG. 1

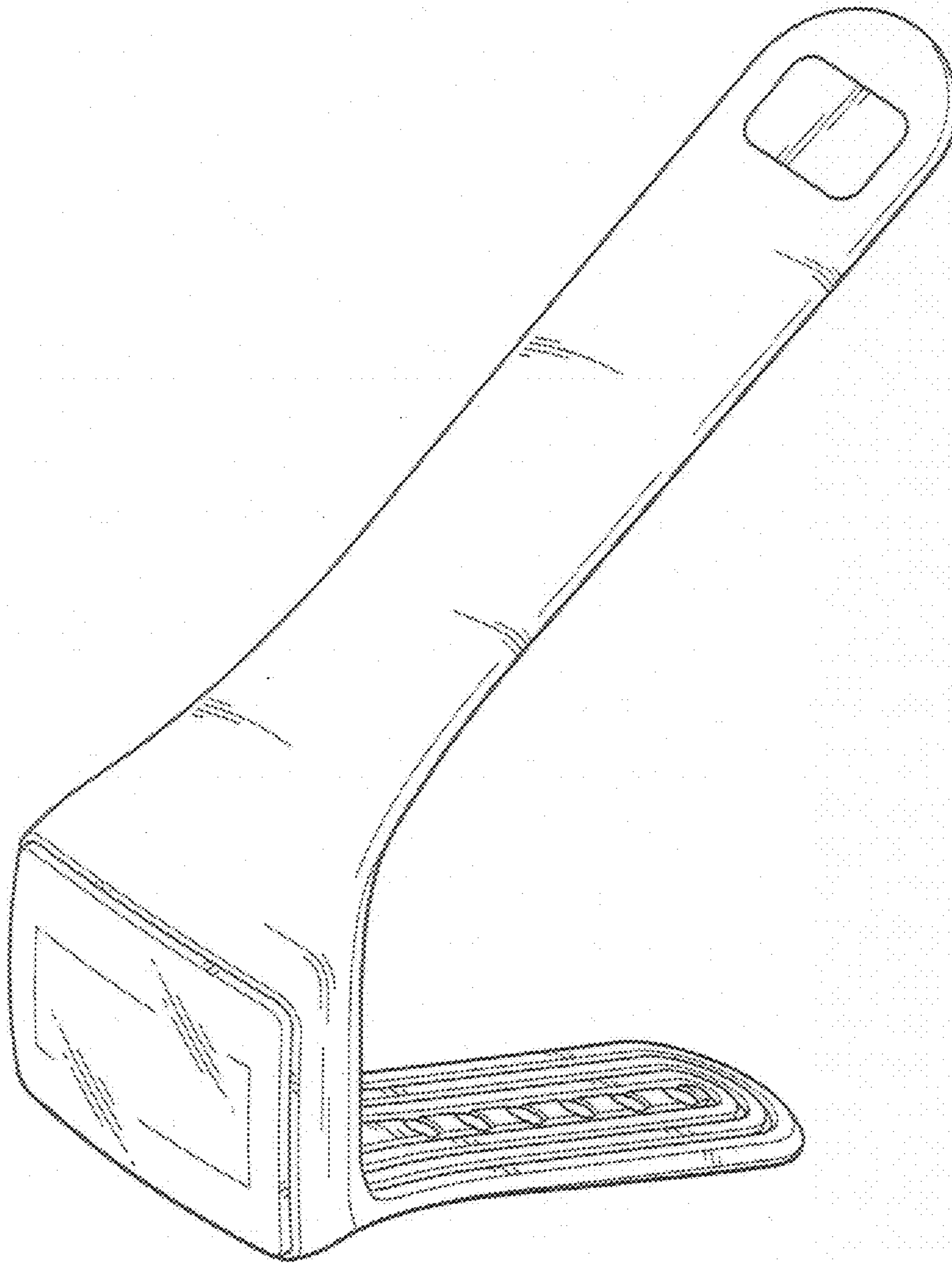


FIG. 2

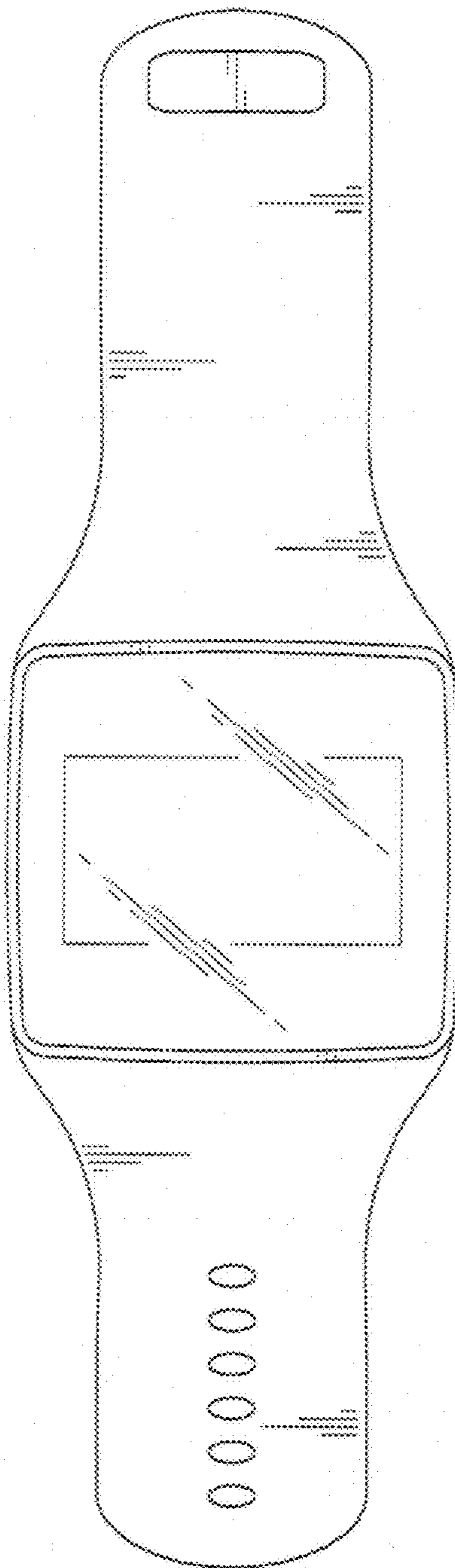


FIG. 3

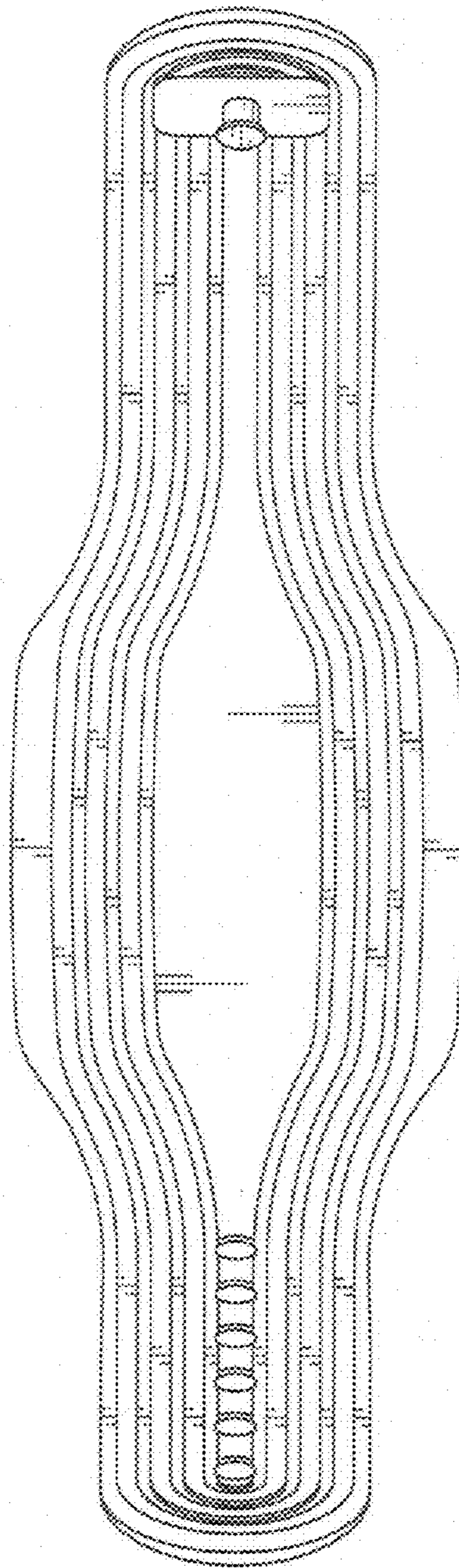


FIG. 4

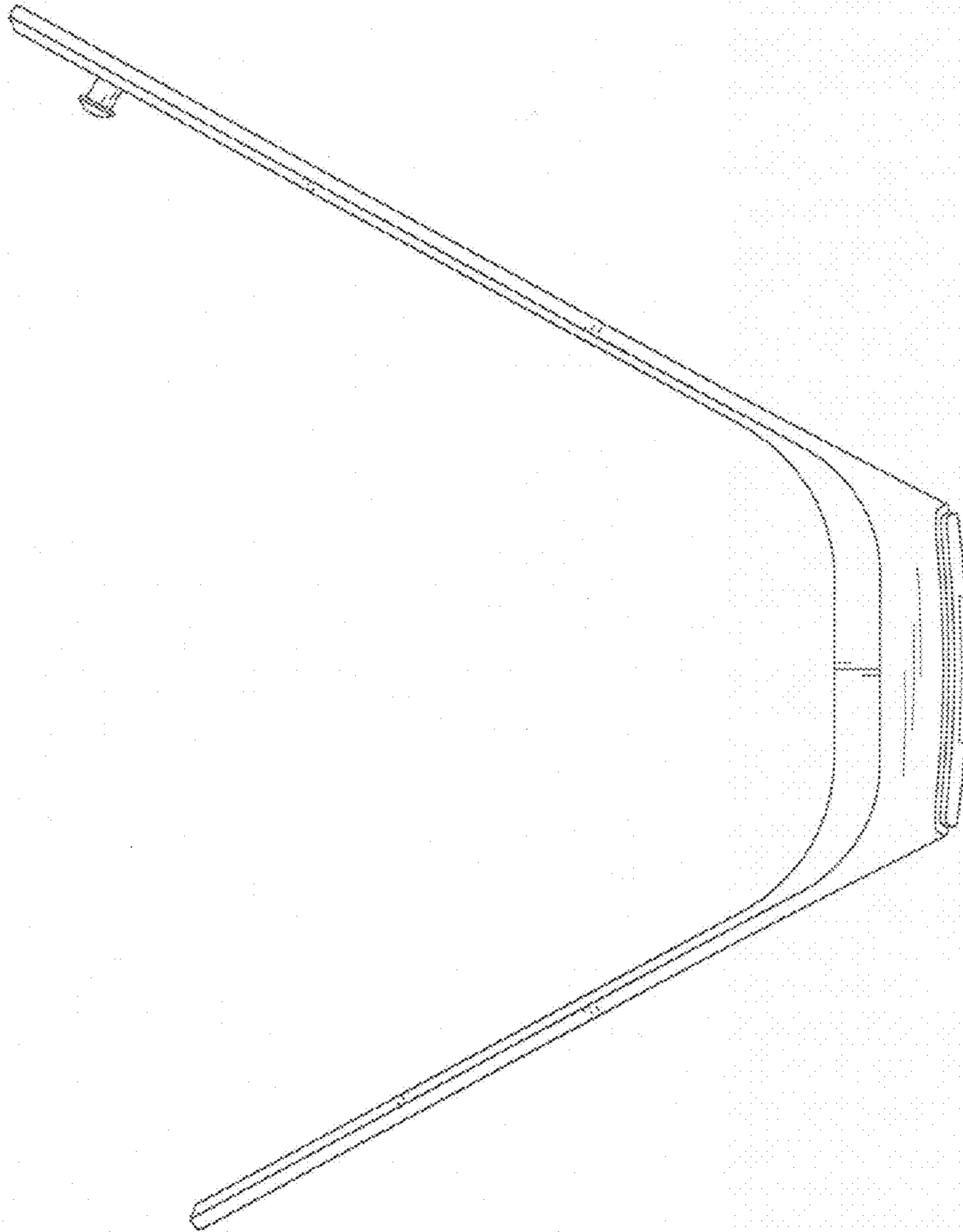


FIG. 5

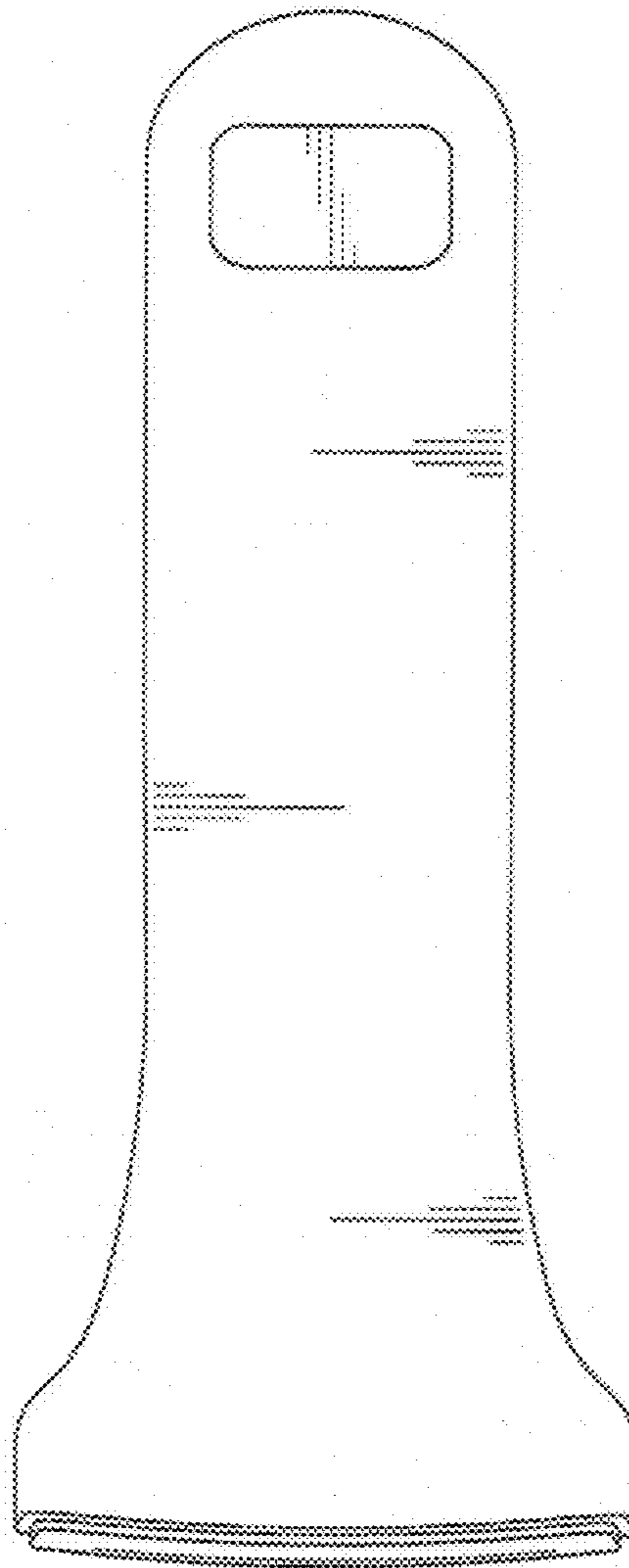


FIG. 6

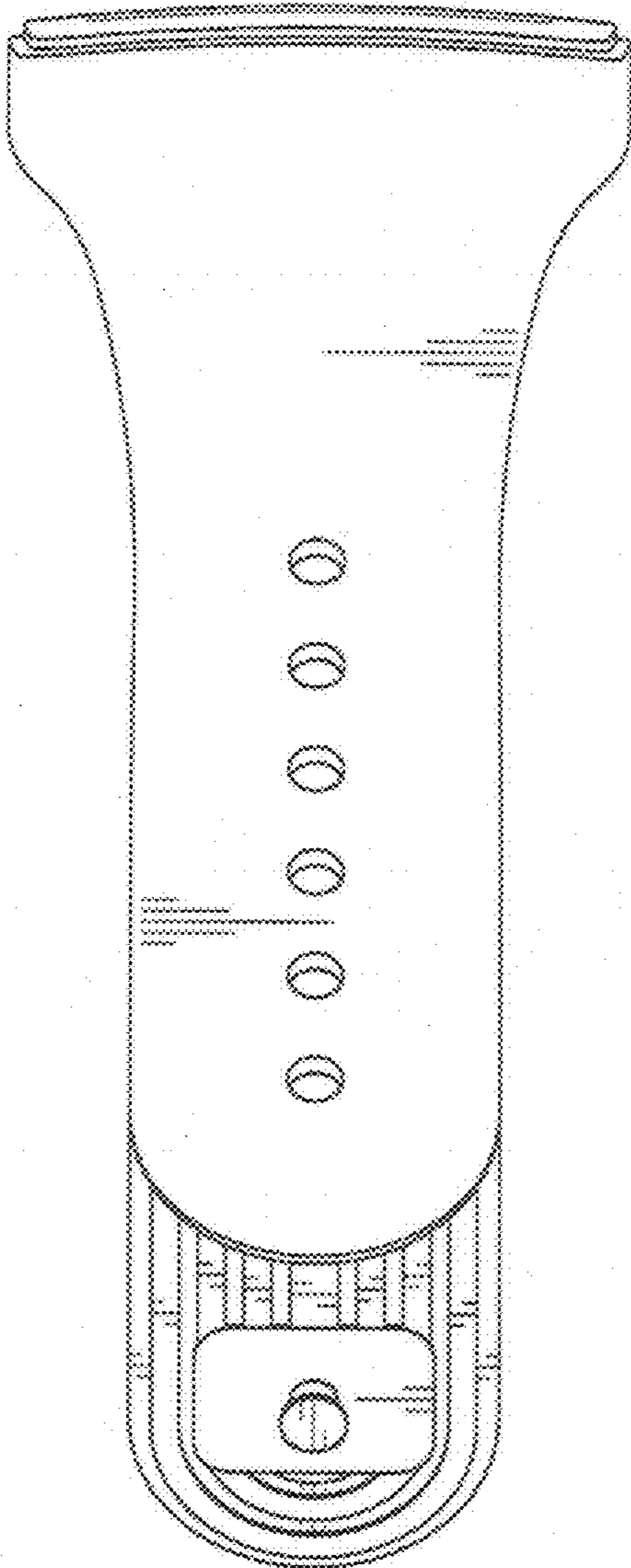


FIG. 7

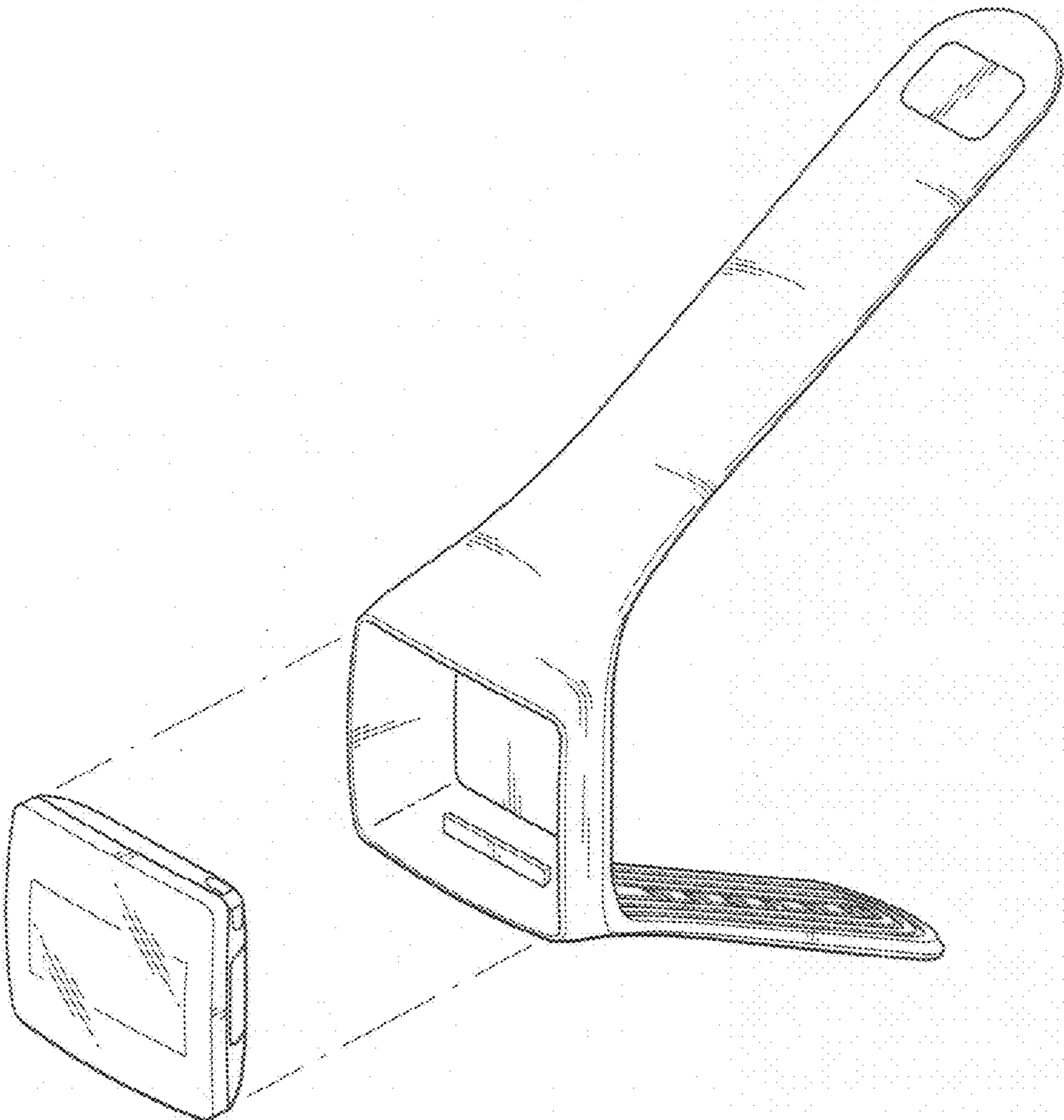


FIG. 8

