

US00D667122S

(12) **United States Design Patent**  
**Mori et al.**

(10) **Patent No.:** **US D667,122 S**

(45) **Date of Patent:** **\*\* Sep. 11, 2012**

(54) **HEARING AID HOUSING**

(75) Inventors: **Masakazu Mori**, Ehime (JP); **Masaki Takemoto**, Ehime (JP)

(73) Assignee: **Panasonic Corporation**, Osaka (JP)

(\*\*) Term: **14 Years**

(21) Appl. No.: **29/397,835**

(22) Filed: **Jul. 21, 2011**

(30) **Foreign Application Priority Data**

Feb. 9, 2011 (JP) ..... 2011-002728

(51) **LOC (9) Cl.** ..... **24-99**

(52) **U.S. Cl.** ..... **D24/174**

(58) **Field of Classification Search** ..... D24/173-175,  
D24/151; D14/205, 223, 224, 249, 225,  
D14/206, 226; 381/23.1, 312, 322-324,  
381/328, 330, 380, 381; 181/135

See application file for complete search history.

(56) **References Cited**

**U.S. PATENT DOCUMENTS**

D516,216 S *	2/2006	Portmann	.....	D24/174
D546,455 S *	7/2007	Darbut et al.	.....	D24/174
D595,856 S *	7/2009	Tronza	.....	D24/174
D633,210 S *	2/2011	Takemoto	.....	D24/174

D633,211 S	2/2011	Takemoto	
D650,080 S *	12/2011	Sjursen et al.	..... D24/174
2006/0215864 A1 *	9/2006	Espersen et al.	..... 381/330
2008/0310660 A1 *	12/2008	Lin	..... 381/322
2009/0279727 A1 *	11/2009	Brimhall et al.	..... 381/323
2011/0235834 A1 *	9/2011	Brimhall et al.	..... 381/314

**FOREIGN PATENT DOCUMENTS**

JP	D1358298	5/2009
JP	D1380138	2/2010

\* cited by examiner

*Primary Examiner* — Anhdao Doan

(74) *Attorney, Agent, or Firm* — Brinks Hofer Gilson & Lione

(57) **CLAIM**

We claim the ornamental design for a hearing aid housing, as shown and described.

**DESCRIPTION**

FIG. 1 is a top and front perspective view of a hearing aid housing of the present invention;  
 FIG. 2 is a top and rear perspective view thereof;  
 FIG. 3 is a front view thereof;  
 FIG. 4 is a rear view thereof;  
 FIG. 5 is a first side view thereof;  
 FIG. 6 is a second side view thereof;  
 FIG. 7 is a top view thereof; and,  
 FIG. 8 is a bottom view thereof.

**1 Claim, 8 Drawing Sheets**

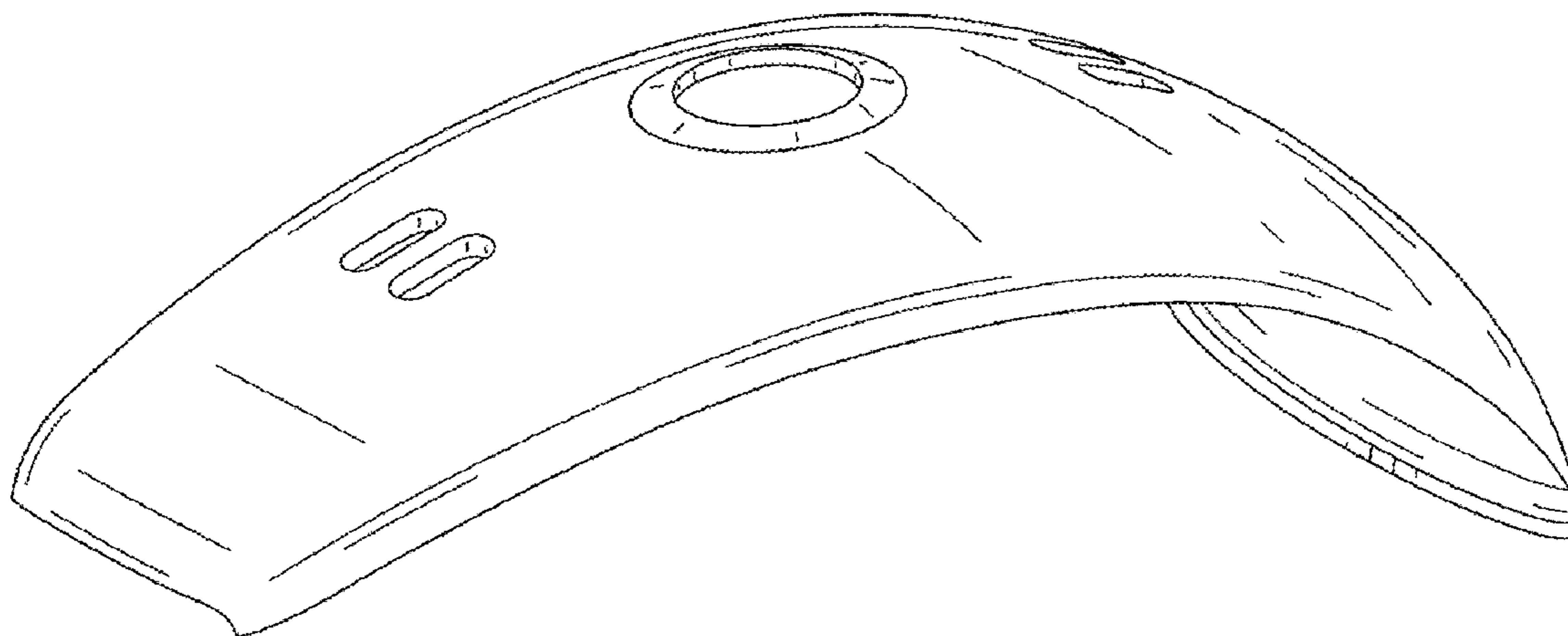


FIG. 1

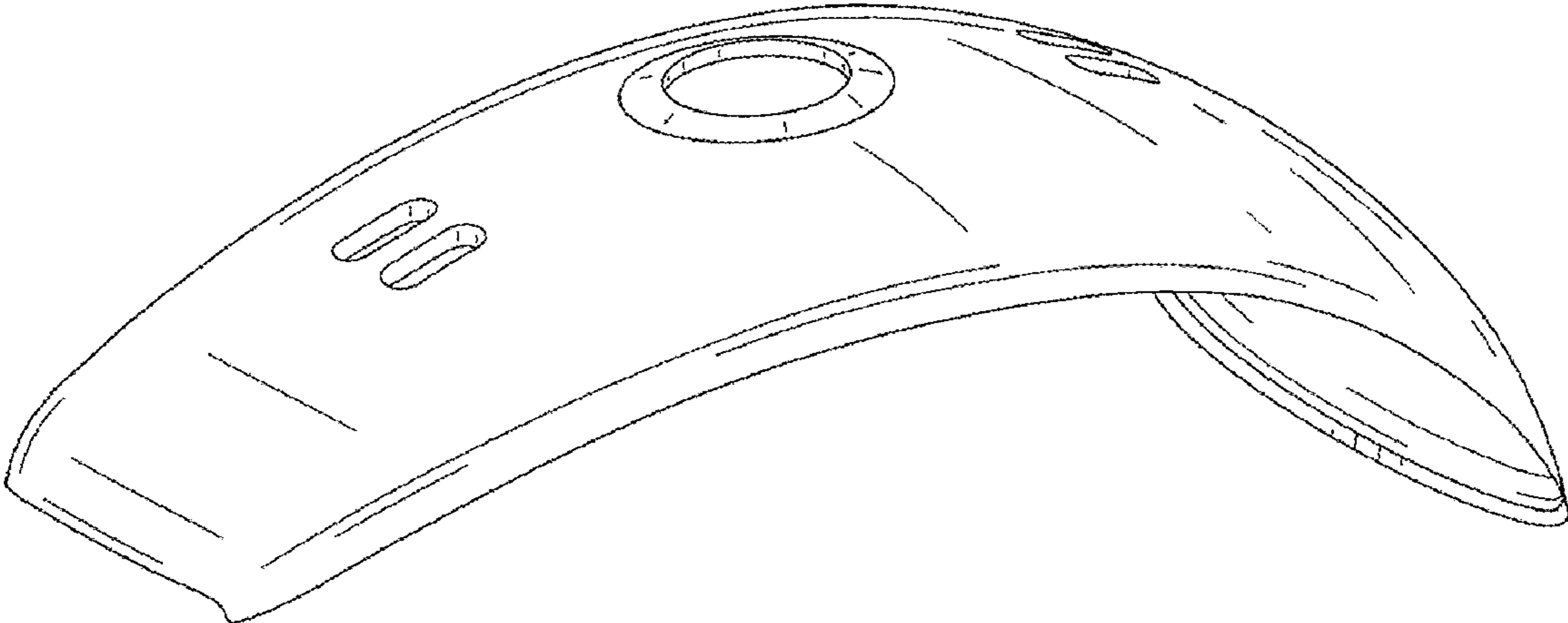


FIG.2



FIG.3

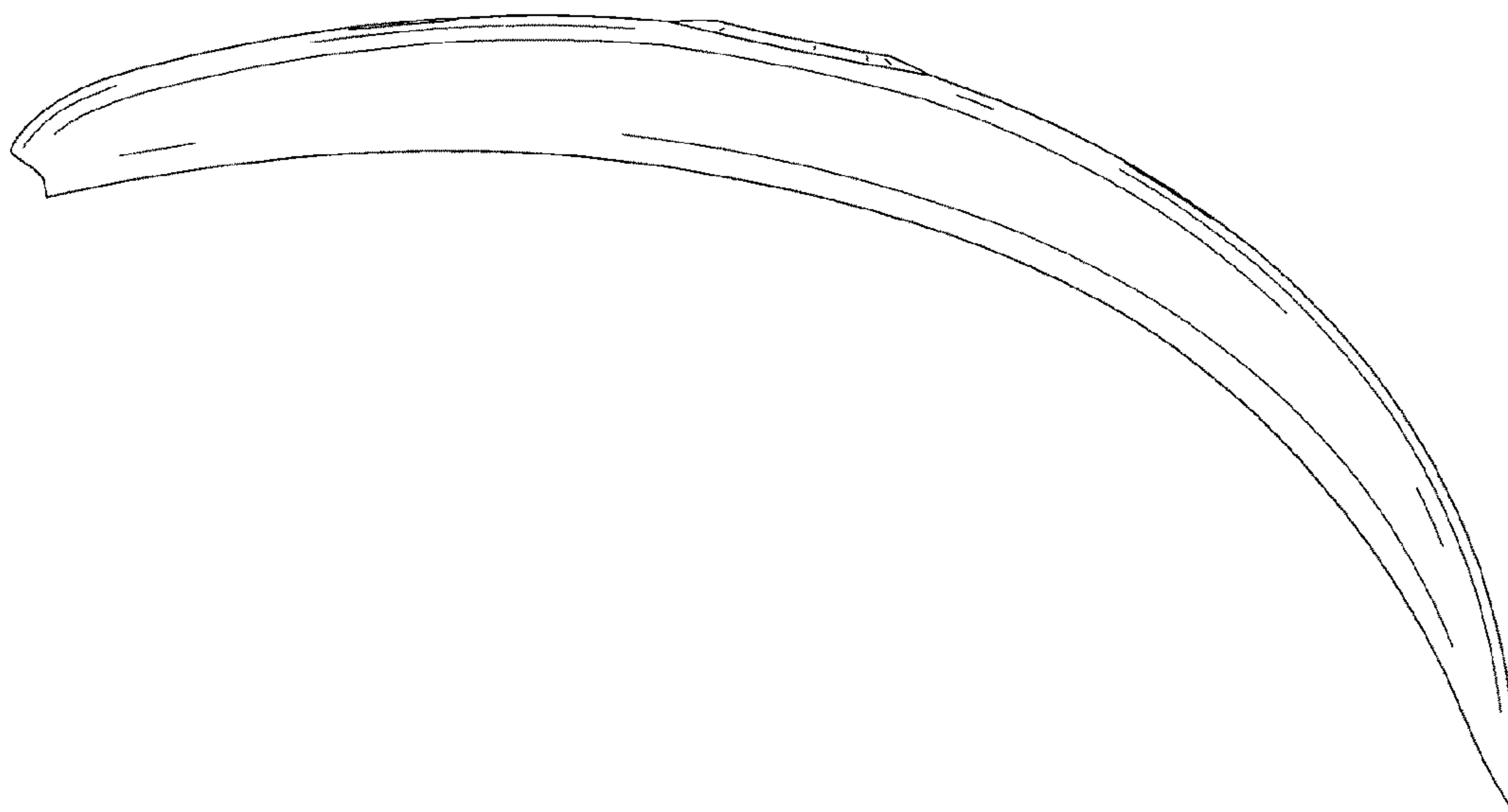


FIG.4

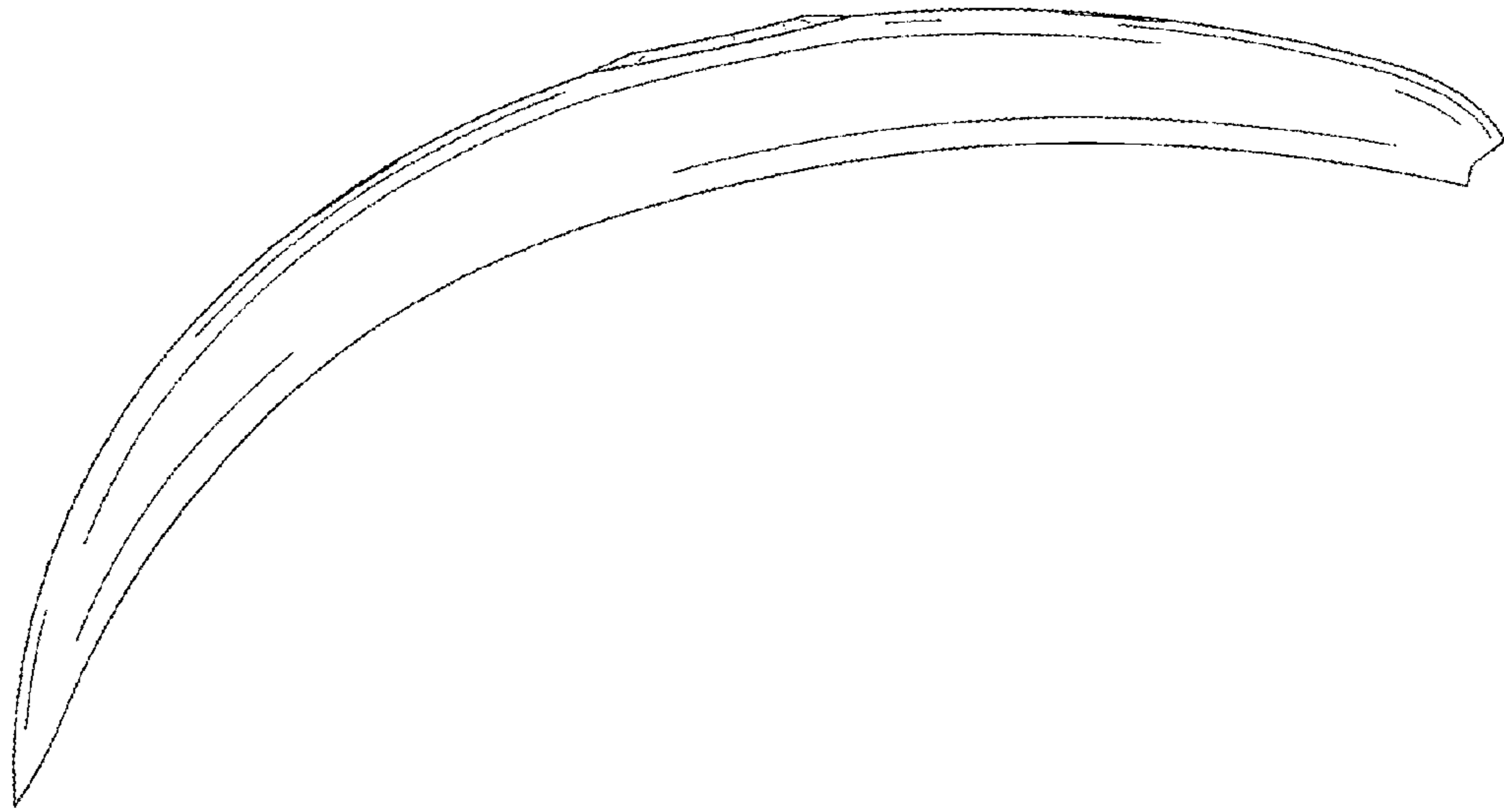


FIG. 5

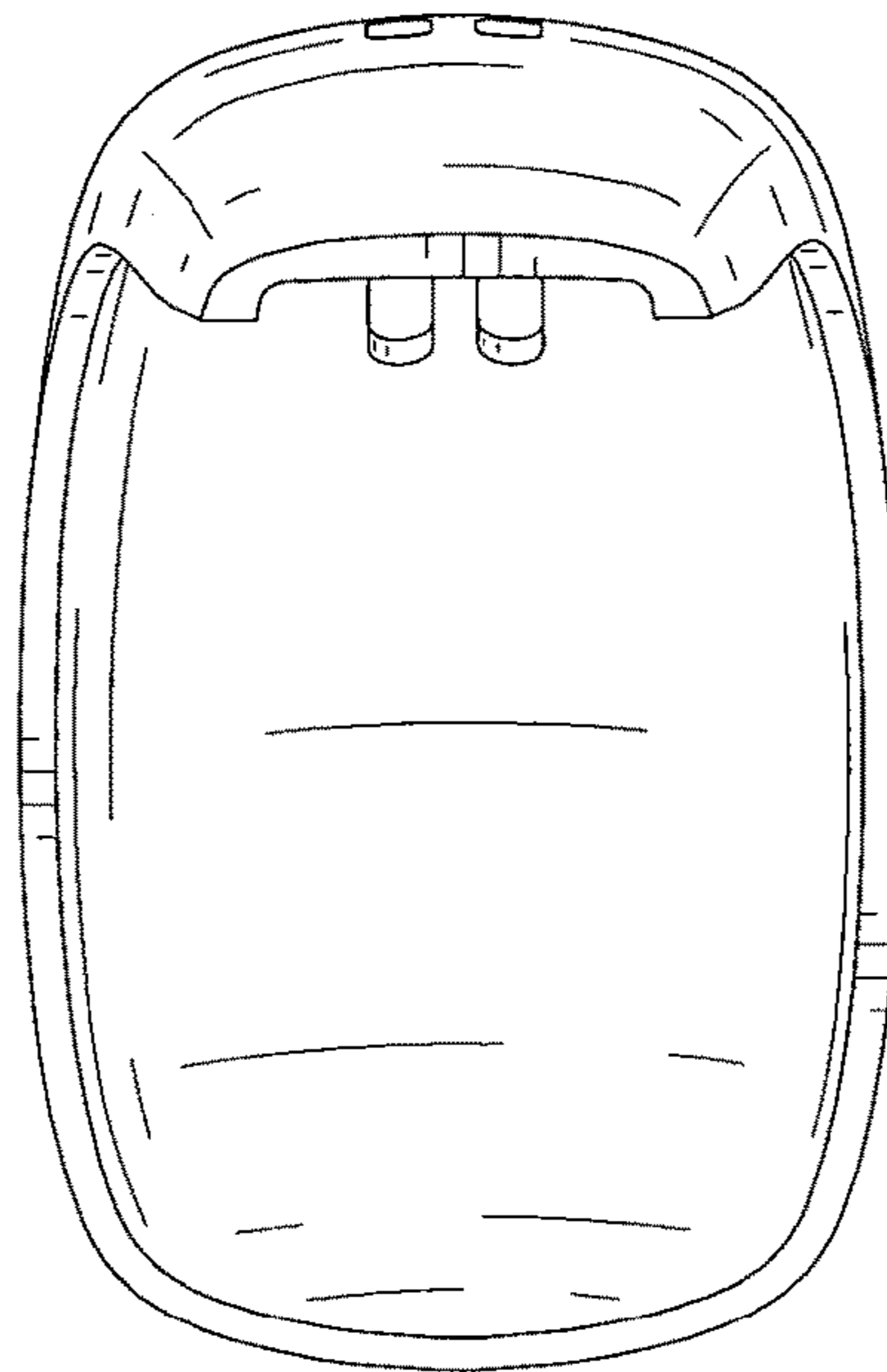


FIG.6

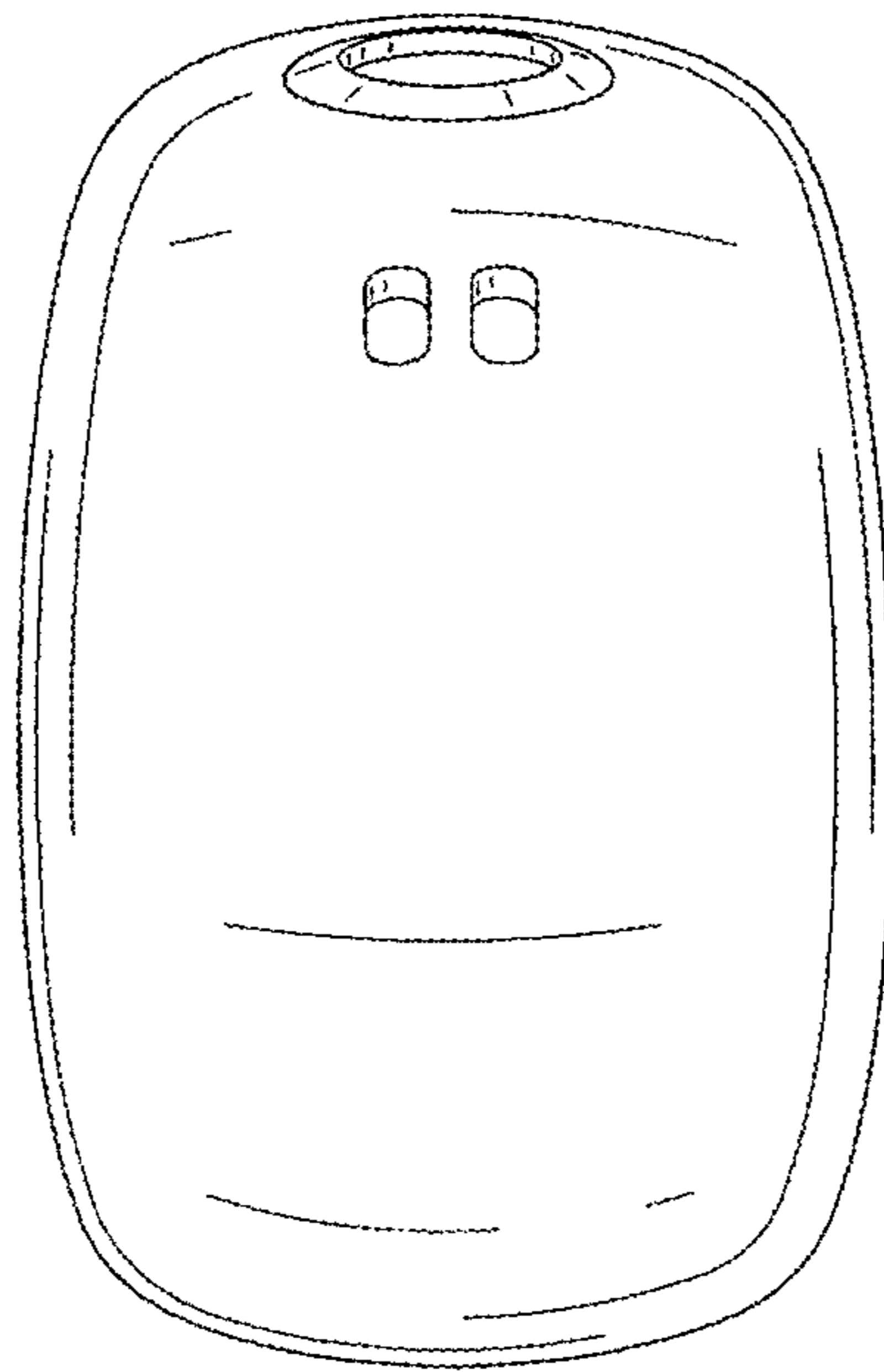


FIG.7

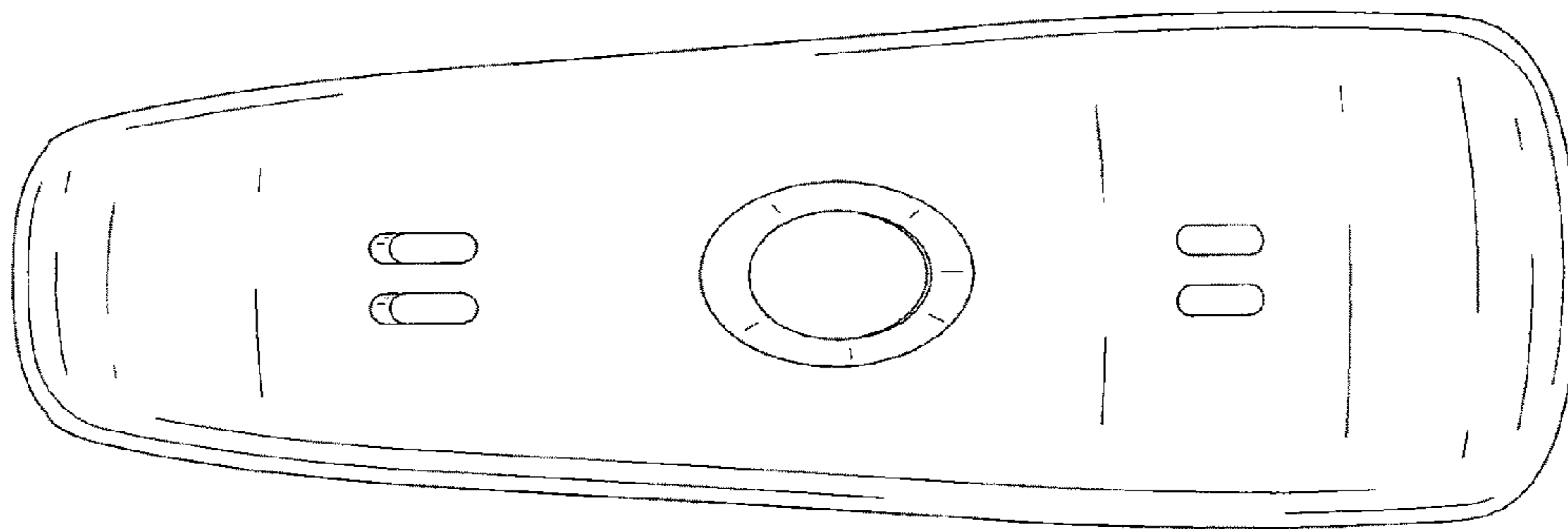




FIG.8

