

US00D667118S

(12) **United States Design Patent**  
**Wodecki**

(10) **Patent No.:** **US D667,118 S**  
(45) **Date of Patent:** **\*\* Sep. 11, 2012**

(54) **NEONATAL MAGNETIC RESONANCE  
SCANNER**

(75) Inventor: **Lionel Wodecki**, Maisons Alfort (FR)

(73) Assignee: **General Electric Company**,  
Schenectady, NY (US)

(\*\*) Term: **14 Years**

(21) Appl. No.: **29/379,673**

(22) Filed: **Nov. 23, 2010**

(51) **LOC (9) Cl.** ..... **24-01**

(52) **U.S. Cl.** ..... **D24/159**

(58) **Field of Classification Search** ..... D24/158-161,  
D24/186; 378/62, 68, 155, 195-198, 208,  
378/4, 15, 17, 20, 21, 23-27, 146

See application file for complete search history.

(56) **References Cited**

**U.S. PATENT DOCUMENTS**

4,137,456	A *	1/1979	Hogan	.....	378/208
D345,606	S *	3/1994	Perusek	.....	D24/159
D447,803	S *	9/2001	Yanagihara et al.	.....	D24/159
6,618,613	B1 *	9/2003	Shukla et al.	.....	600/425
6,992,486	B2 *	1/2006	Srinivasan	.....	324/318

D527,105	S *	8/2006	Kitayama et al.	.....	D24/158
7,120,223	B2 *	10/2006	Nafstadius	.....	378/20
7,212,848	B1 *	5/2007	Wake et al.	.....	600/476
7,378,660	B2 *	5/2008	Case et al.	.....	250/363.01
7,409,039	B2 *	8/2008	Banchieri et al.	.....	378/57
7,648,273	B2 *	1/2010	Manzke et al.	.....	378/203
D639,953	S *	6/2011	Wodecki	.....	D24/159
2008/0177171	A1 *	7/2008	Francesangeli et al.	.....	600/410

\* cited by examiner

*Primary Examiner* — Anhdao Doan

(74) *Attorney, Agent, or Firm* — Ziolkowski Patent Solutions Group, SC

(57) **CLAIM**

The ornamental design for a neonatal magnetic resonance scanner, as shown and described.

**DESCRIPTION**

FIG. 1 is a front perspective view of a neonatal magnetic resonance scanner in accordance with the present invention; and,

FIG. 2 is a side view thereof.

The broken lines in the drawing views are included for the purpose of illustrating portions of the neonatal magnetic resonance scanner that form no part of the claimed design.

**1 Claim, 2 Drawing Sheets**

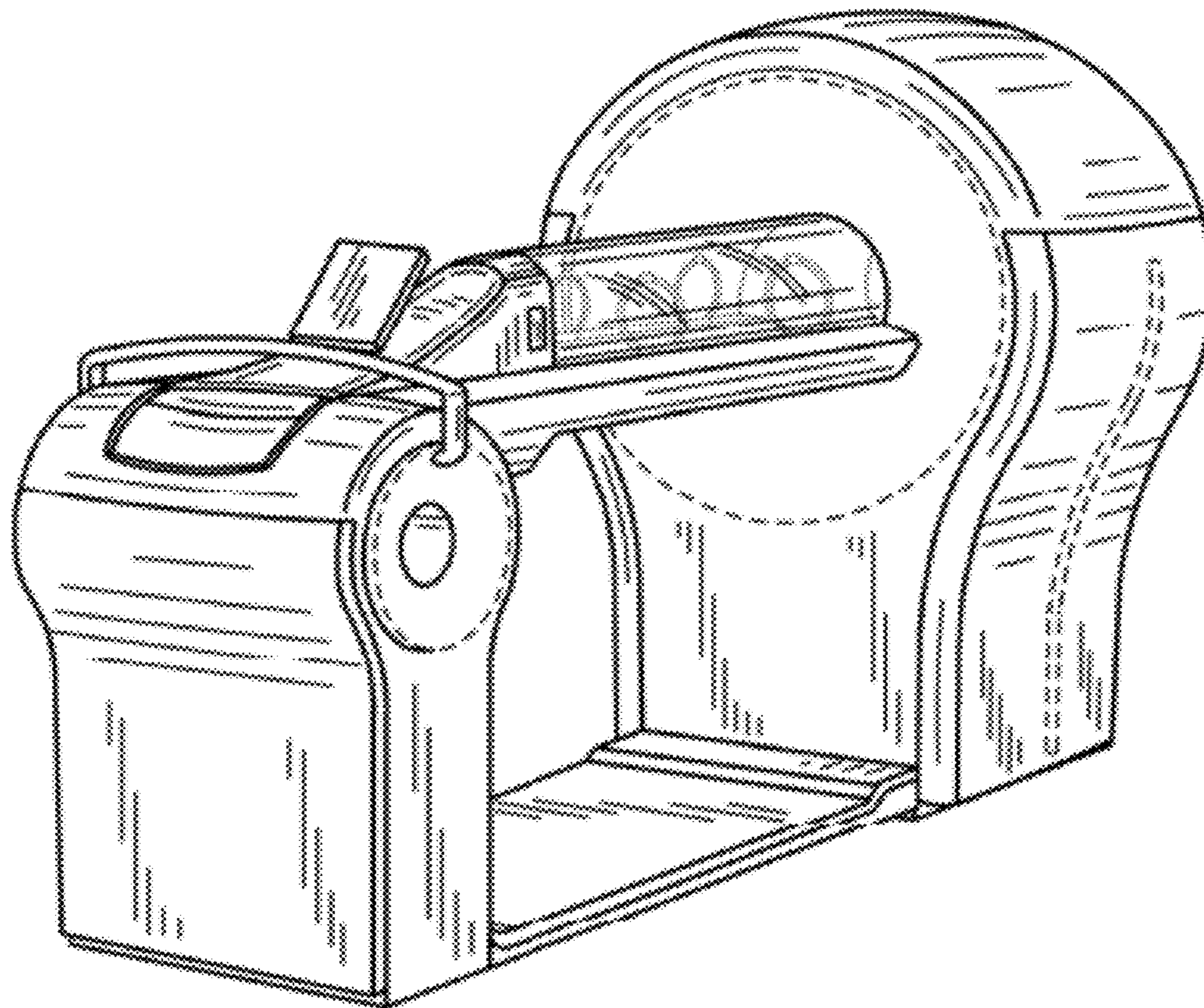
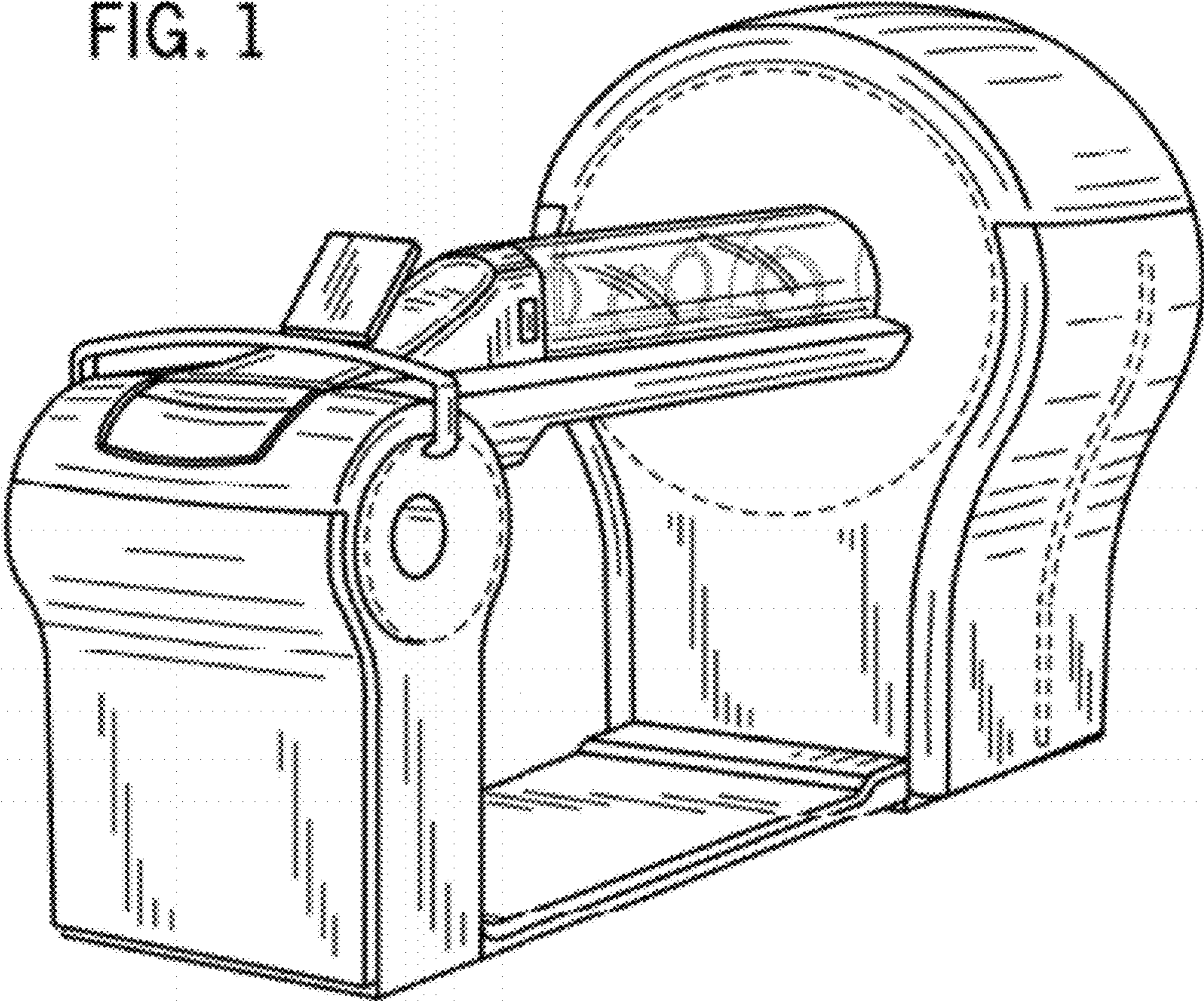


FIG. 1



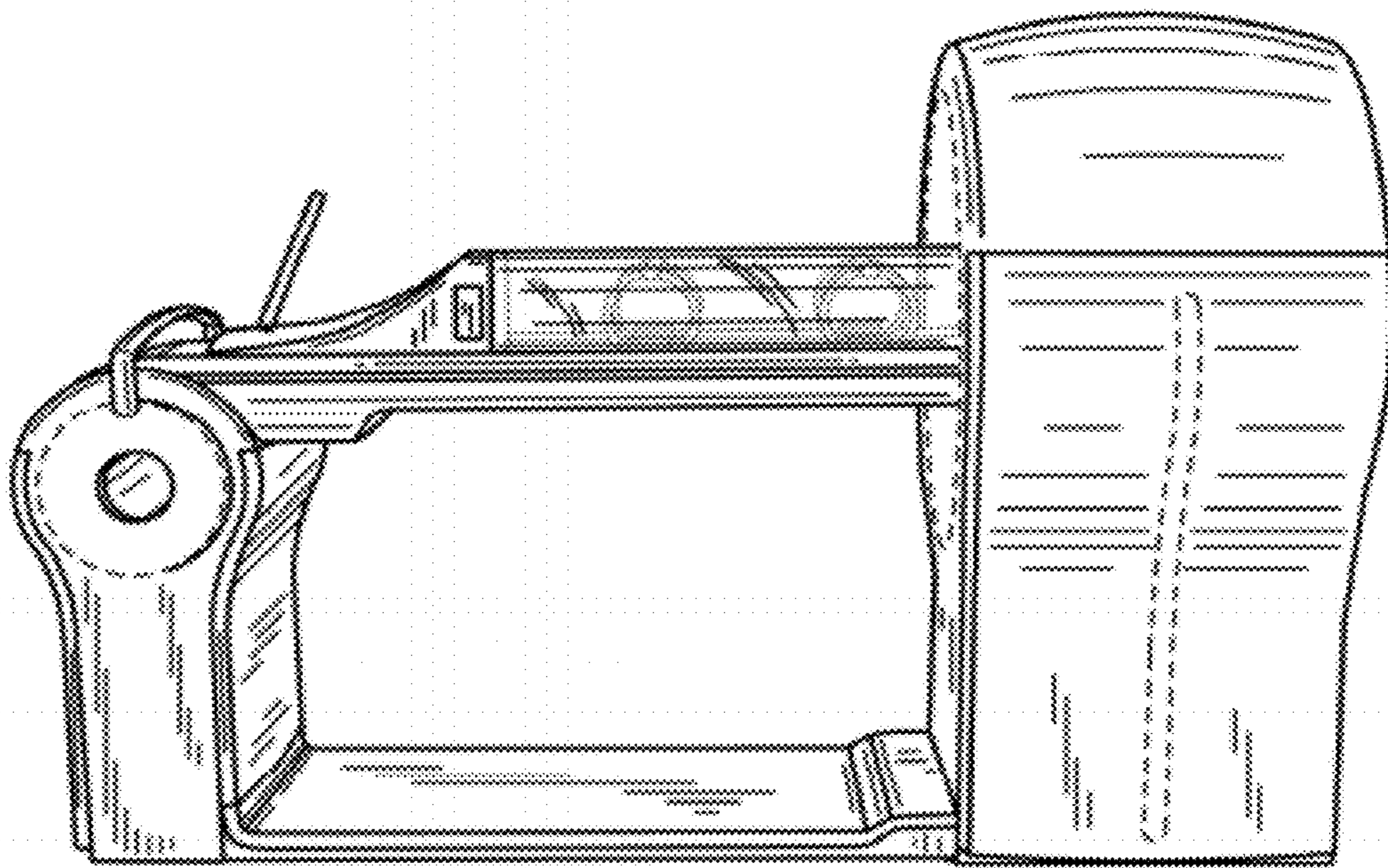


FIG. 2