



US00D667114S

(12) **United States Design Patent**  
**Campo et al.**

(10) **Patent No.:** **US D667,114 S**  
(45) **Date of Patent:** **\*\* Sep. 11, 2012**

(54) **GYNECOLOGICAL EXAMINATION SHEATH**

(75) Inventors: **Rudi Campo**, Leuven (BE); **Andreas Baerthele**, Radolfzell (DE)

(73) Assignee: **KARL STORZ GmbH & Co. KG**, Tuttlingen (DE)

(\*\*) Term: **14 Years**

(21) Appl. No.: **29/403,061**

(22) Filed: **Sep. 30, 2011**

(30) **Foreign Application Priority Data**

Mar. 31, 2011 (EM) ..... 001844184-0001

(51) **LOC (9) Cl.** ..... **24-02**

(52) **U.S. Cl.** ..... **D24/138**

(58) **Field of Classification Search** ..... D24/133,  
D24/135, 137, 138, 140, 146, 147, 112; 600/105,  
600/121-125; 606/46-52

See application file for complete search history.

(56) **References Cited**

**U.S. PATENT DOCUMENTS**

4,951,977	A *	8/1990	Shutt	.....	285/316
5,423,813	A *	6/1995	Kaiser et al.	.....	606/46
D434,148	S *	11/2000	Sauer et al.	.....	D24/146
D590,945	S *	4/2009	Berberich	.....	D24/146
D597,204	S *	7/2009	Oberlaender et al.	.....	D24/133
D614,302	S *	4/2010	Eisele	.....	D24/146
D620,107	S *	7/2010	Bartlett et al.	.....	D24/138

D620,108	S *	7/2010	Eitenmueller et al.	.....	D24/144
D635,668	S *	4/2011	Bartlett et al.	.....	D24/138
D637,290	S *	5/2011	Schwoy	.....	D24/146
D639,943	S *	6/2011	Bettocchi	.....	D24/137
D650,078	S *	12/2011	Efinger et al.	.....	D24/140

\* cited by examiner

*Primary Examiner* — Bridget L Eland

(74) *Attorney, Agent, or Firm* — Muncy, Geissler, Olds & Lowe, PLLC

(57) **CLAIM**

The ornamental design for a gynecological examination sheath, as shown and described.

**DESCRIPTION**

FIG. 1 is a left side elevational view of a gynecological examination sheath according to the present invention.

FIG. 2 is a right side elevational view of the gynecological examination sheath of FIG. 1.

FIG. 3 is a front elevational view of the gynecological examination sheath of FIG. 1.

FIG. 4 is a rear elevational view of the gynecological examination sheath of FIG. 1.

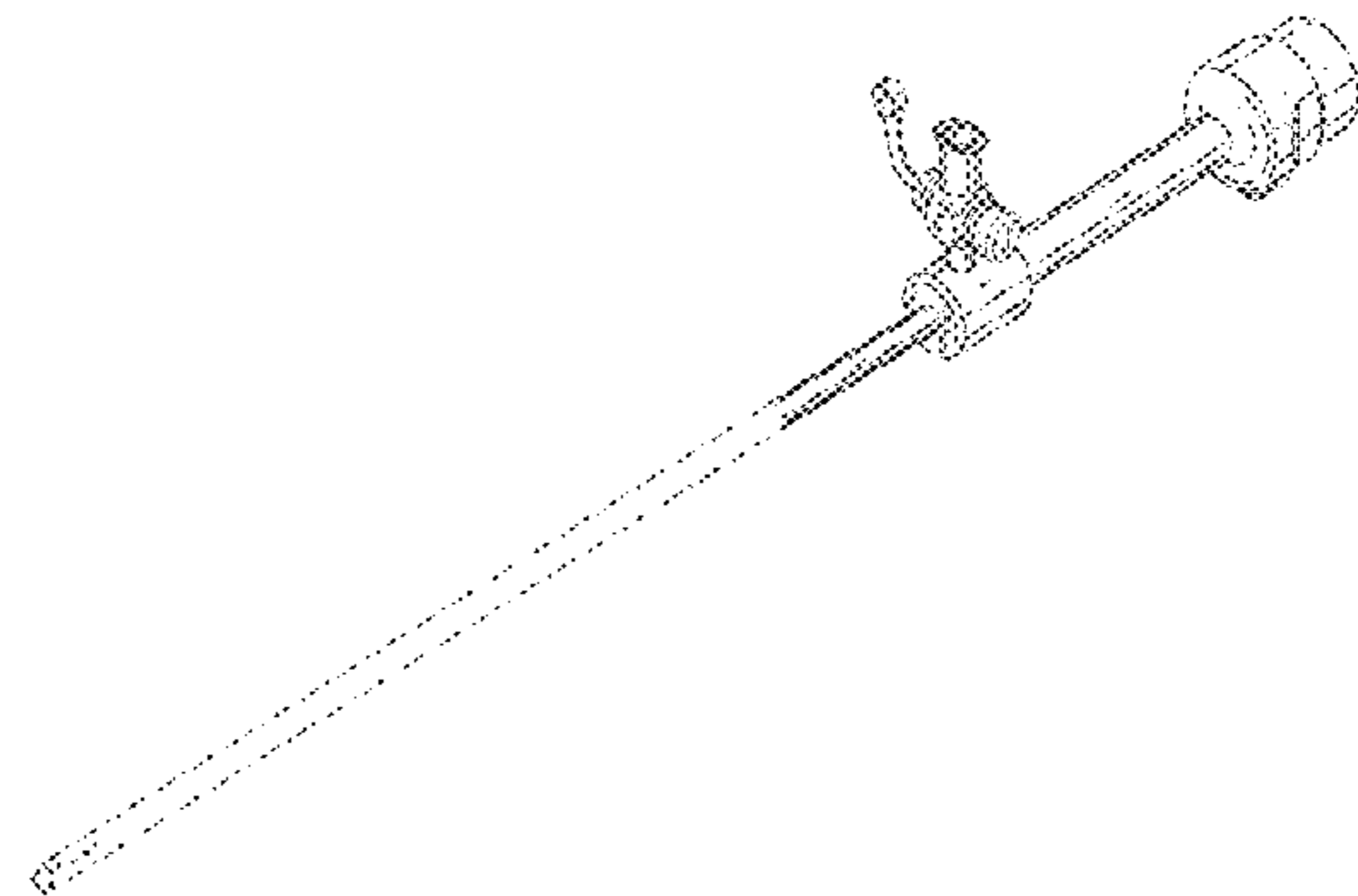
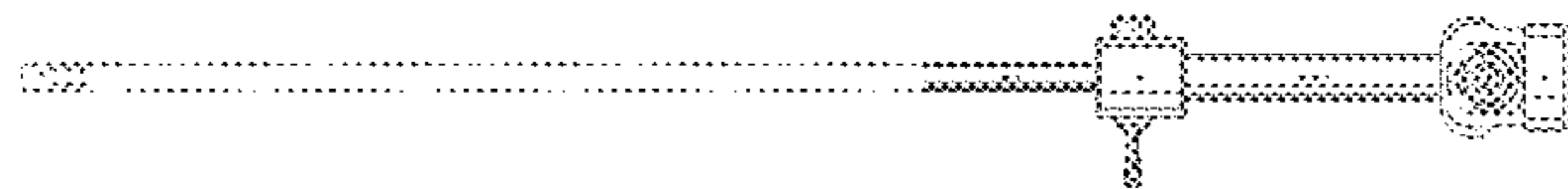
FIG. 5 is a top plan view of the gynecological examination sheath of FIG. 1.

FIG. 6 is a bottom plan view of the gynecological examination sheath of FIG. 1; and,

FIG. 7 is a three quarter view of the gynecological examination sheath of FIG. 1.

The dashed lines illustrate environment that does not form a part of the present invention, and no claim is made to the material illustrated with dashed lines.

**1 Claim, 6 Drawing Sheets**



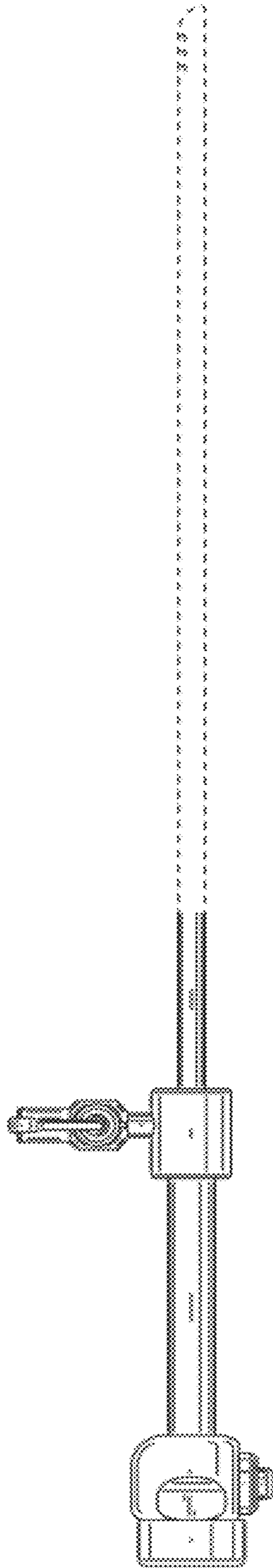


FIG. 1

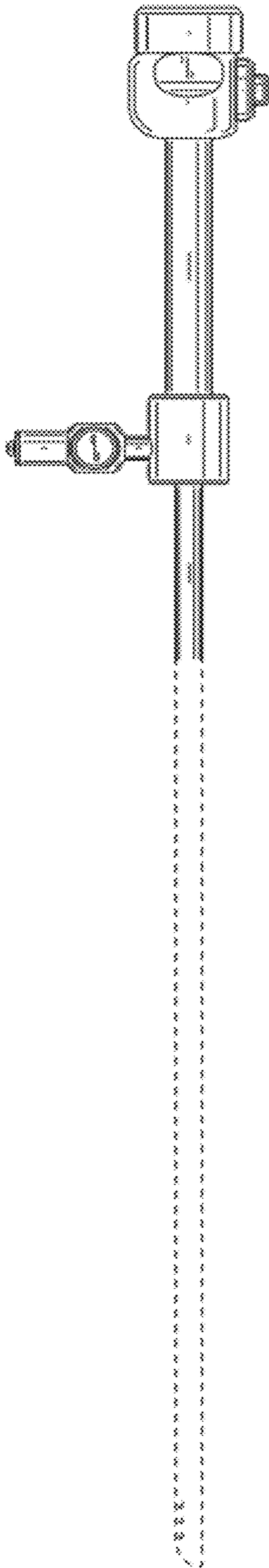


FIG. 2

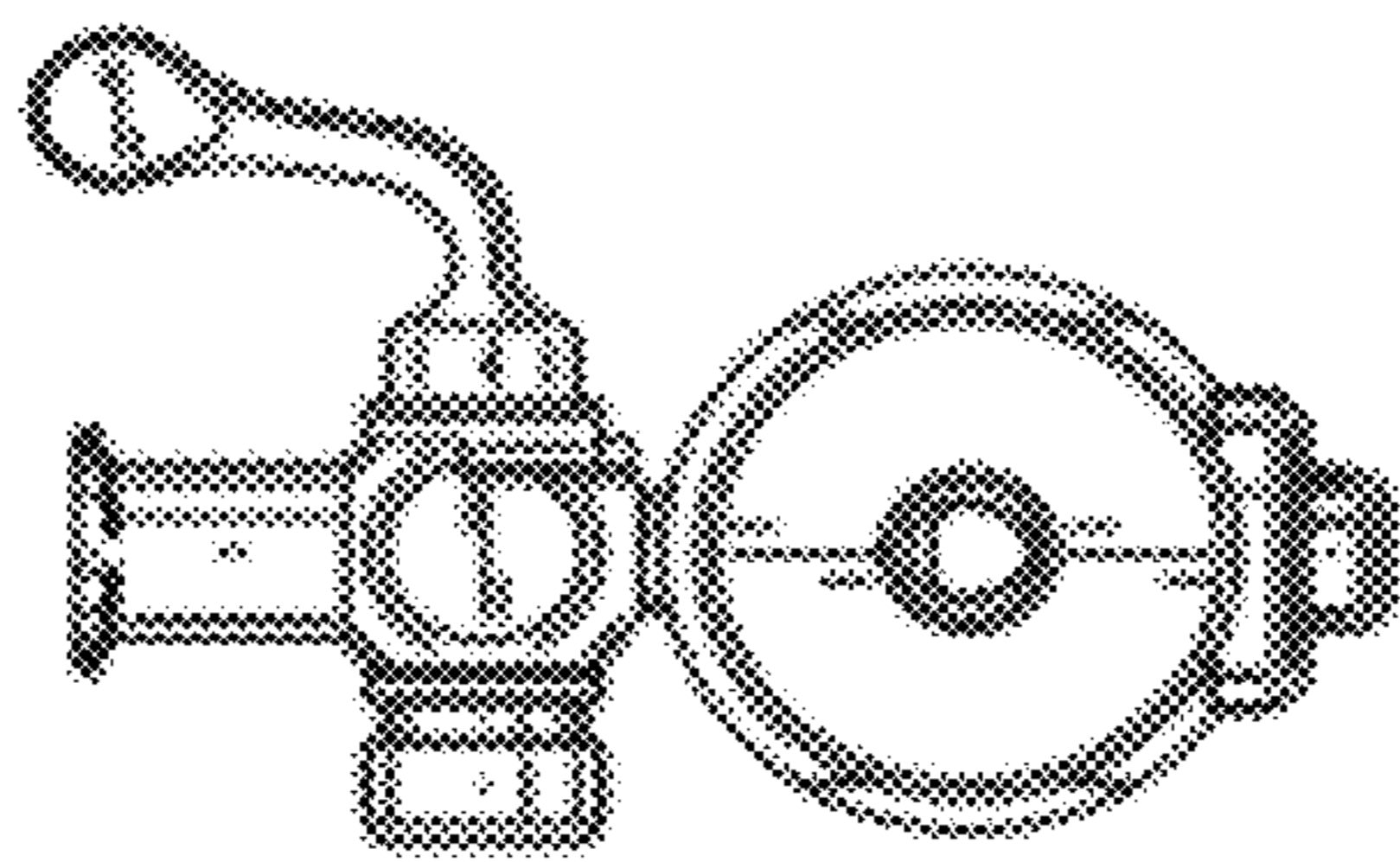


FIG. 4

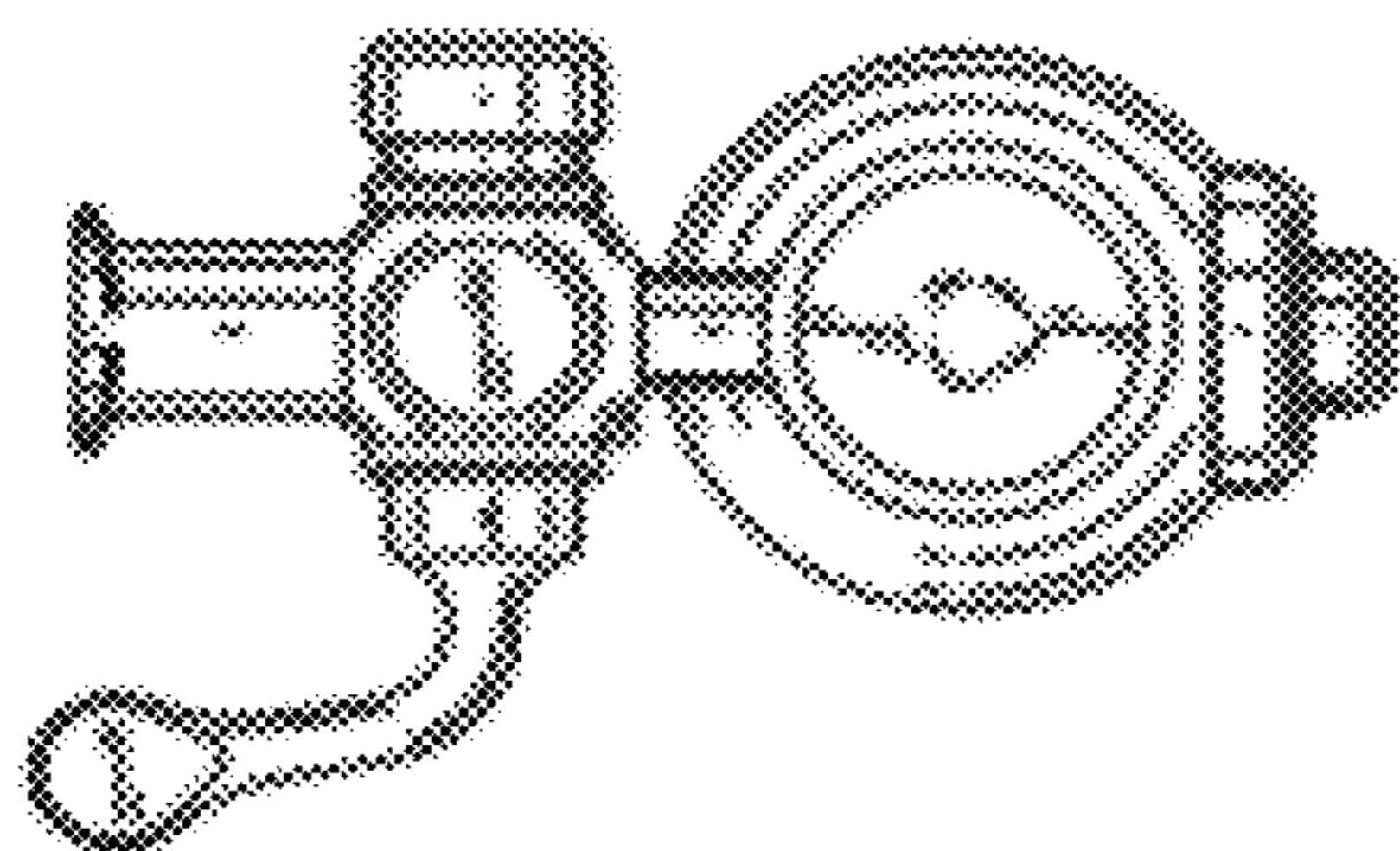


FIG. 3

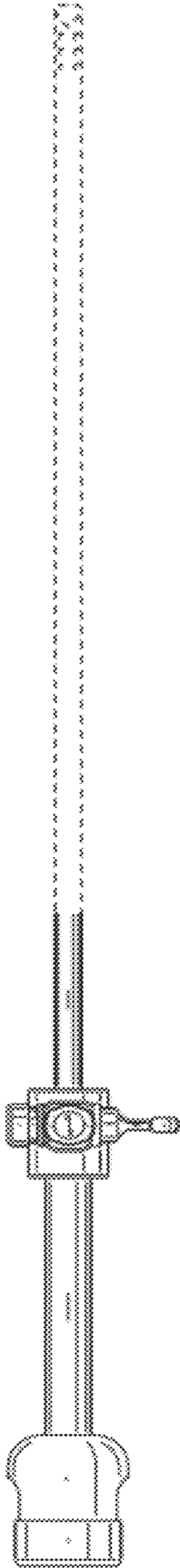


FIG. 5

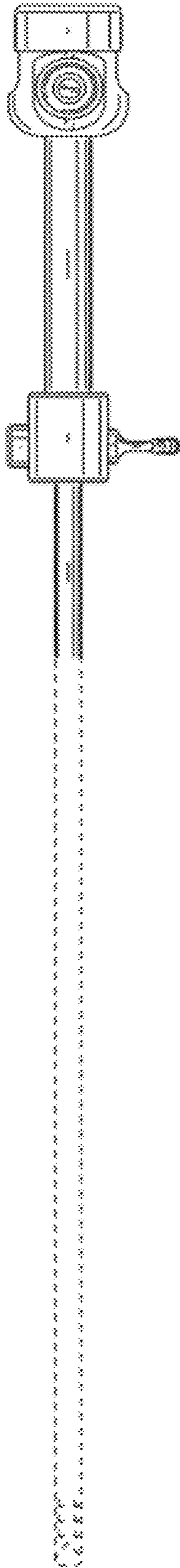


FIG. 6

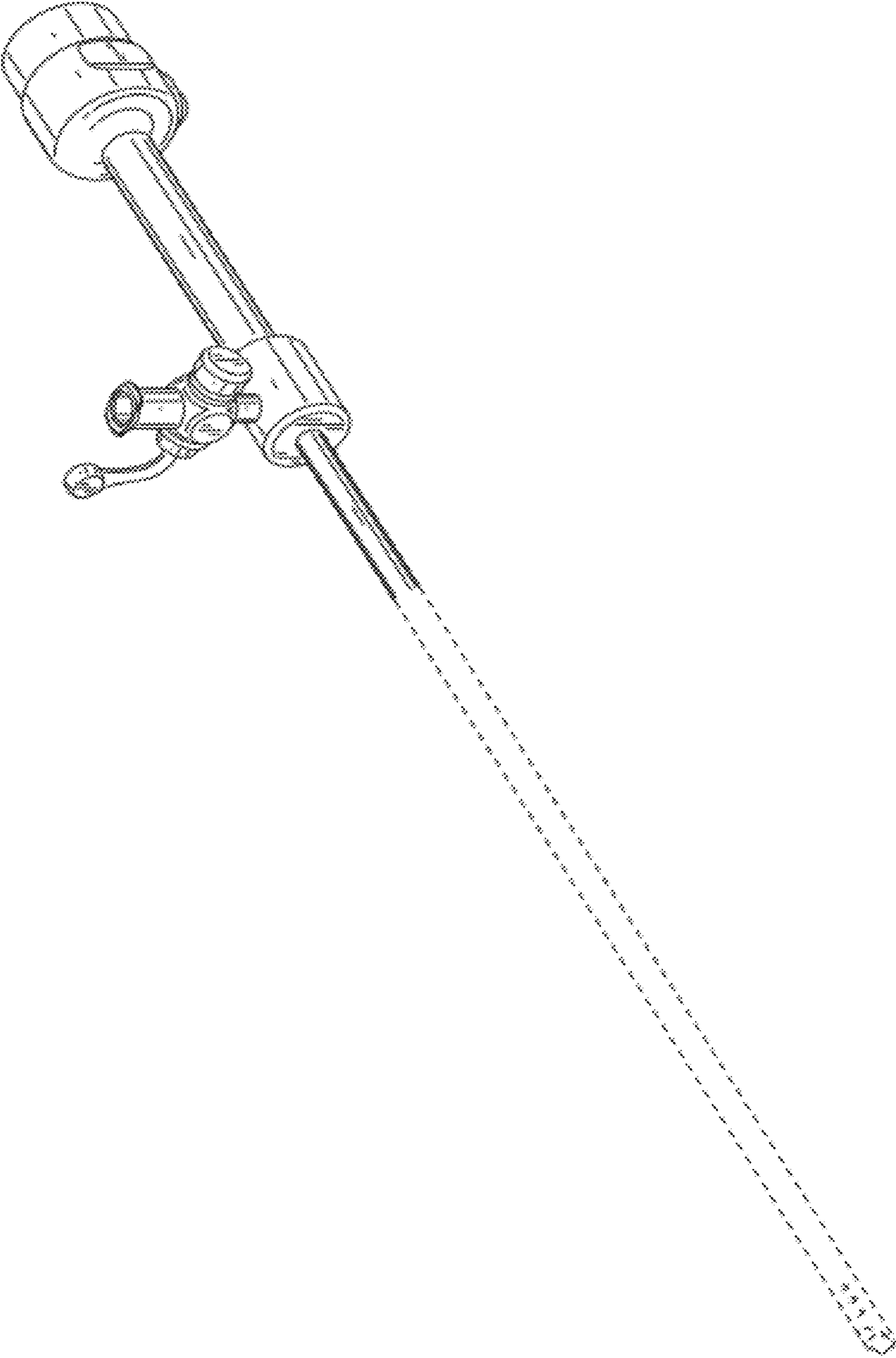


FIG. 7