

US00D667112S

(12) **United States Design Patent**  
**Becker**

(10) **Patent No.:** **US D667,112 S**

(45) **Date of Patent:** **\*\* Sep. 11, 2012**

(54) **RESECTOSCOPE SHEATH**

(75) Inventor: **Wolfram Becker**, Laer (DE)

(73) Assignee: **Karl Storz GmbH & Co. KG** (DE)

(\*\*) Term: **14 Years**

(21) Appl. No.: **29/394,982**

(22) Filed: **Jun. 23, 2011**

(30) **Foreign Application Priority Data**

Dec. 23, 2010 (EM) ..... 001798331-0016

(51) **LOC (9) Cl.** ..... **24-02**

(52) **U.S. Cl.** ..... **D24/138**

(58) **Field of Classification Search** ..... D24/133,  
D24/137, 138, 146, 147; 600/105, 119, 121;  
606/46

See application file for complete search history.

(56) **References Cited**

**U.S. PATENT DOCUMENTS**

4,726,370	A *	2/1988	Karasawa et al.	606/46
5,947,990	A *	9/1999	Smith	606/180
D434,148	S *	11/2000	Sauer et al.	D24/146
D559,980	S *	1/2008	Rehbein et al.	D24/133
D570,479	S *	6/2008	Rehbein et al.	D24/133
D570,480	S *	6/2008	Rehbein et al.	D24/133
D570,481	S *	6/2008	Rehbein et al.	D24/133
D571,007	S *	6/2008	Rehbein et al.	D24/133
D629,099	S *	12/2010	Kilani	D24/133

D637,290	S *	5/2011	Schwoy	D24/146
D639,943	S *	6/2011	Bettocchi	D24/137
2004/0064139	A1 *	4/2004	Yossepowitch	606/46
2011/0118544	A1 *	5/2011	Adams et al.	600/104

**OTHER PUBLICATIONS**

Storz—Die Welt Der Endoskopie—Urologie; p. 42—Resektoskopschäfte; p. 44—Resektoskopschäfte mit Feststehendem Innenschaft, and p. 45—Resektoskopschäfte mit Drehbarem Innenschaft; 2008 (4 pages total).

\* cited by examiner

*Primary Examiner* — Bridget L Eland

(74) *Attorney, Agent, or Firm* — St. Onge Steward Johnston & Reens LLC

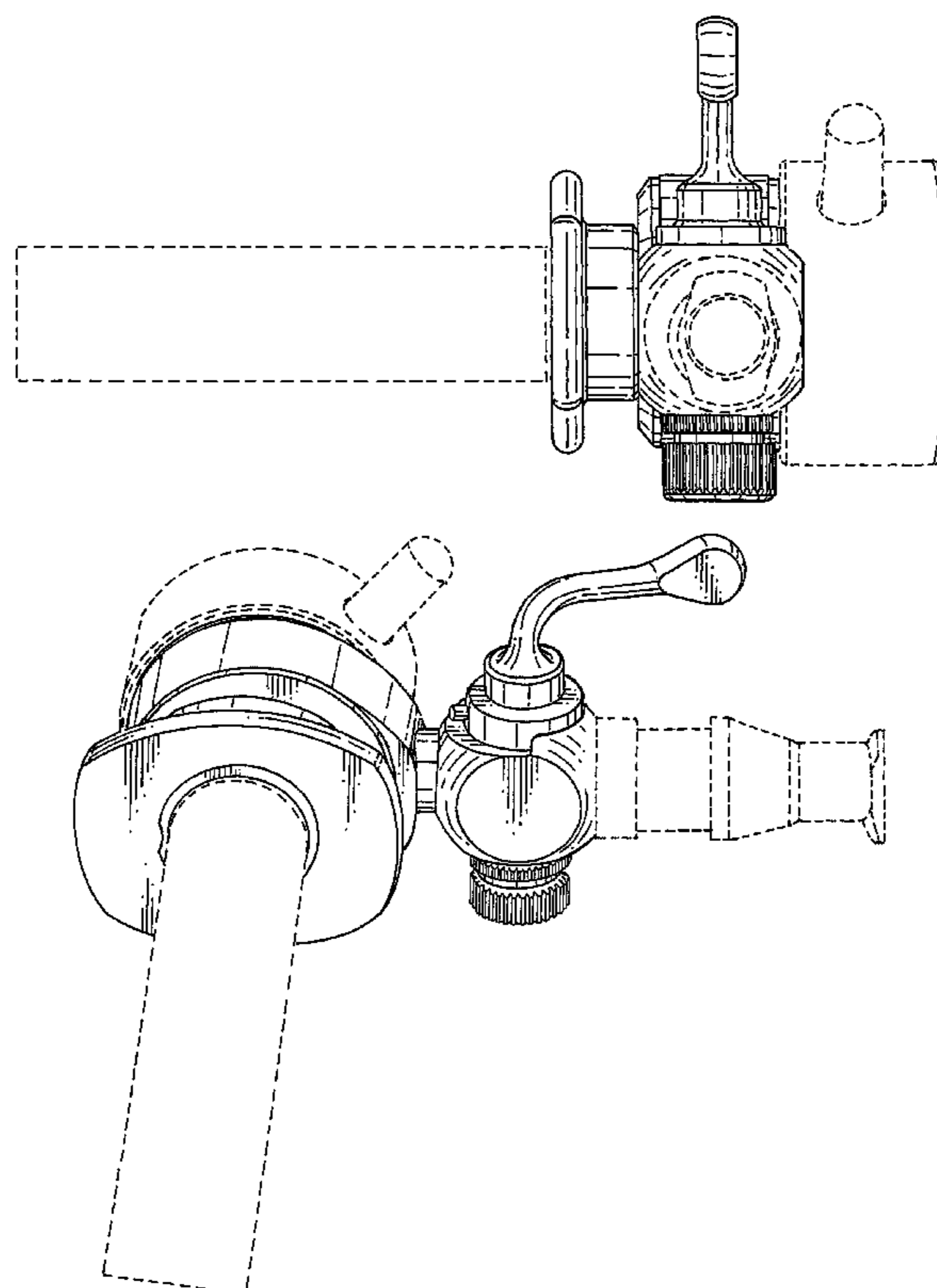
(57) **CLAIM**

The ornamental design for a resectoscope sheath, as shown and described.

**DESCRIPTION**

FIG. 1 is a top right side perspective view of a resectoscope sheath in accordance with the new design; FIG. 2 is a right side isometric view thereof; FIG. 3 is a left side isometric view thereof; FIG. 4 is a top isometric view thereof; FIG. 5 is a bottom isometric view thereof; FIG. 6 is a front isometric view thereof; and, FIG. 7 is a rear isometric view thereof. The broken lines shown in FIGS. 1-7 represent the bounds of the claimed design and form no part of the claimed design.

**1 Claim, 7 Drawing Sheets**



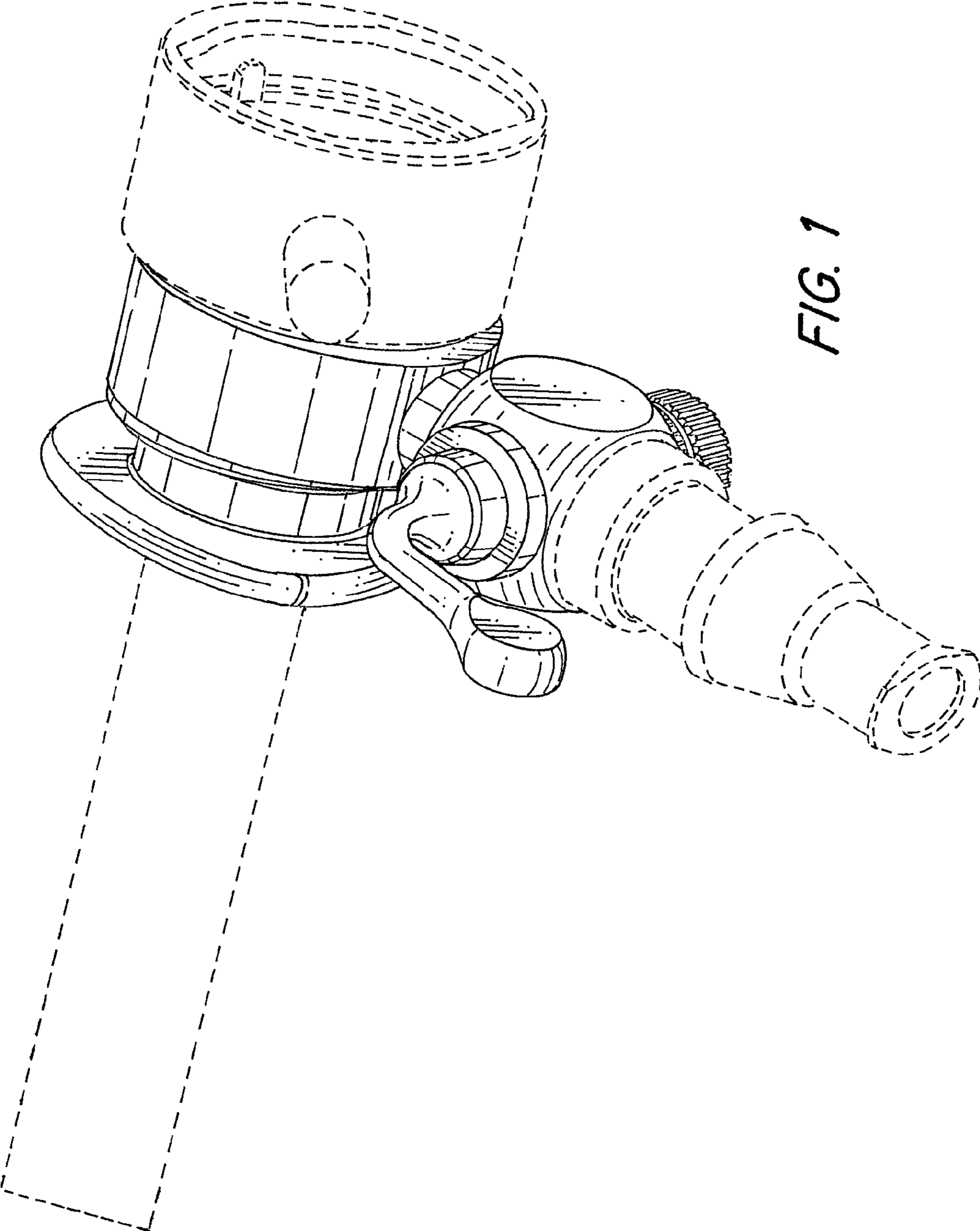


FIG. 1

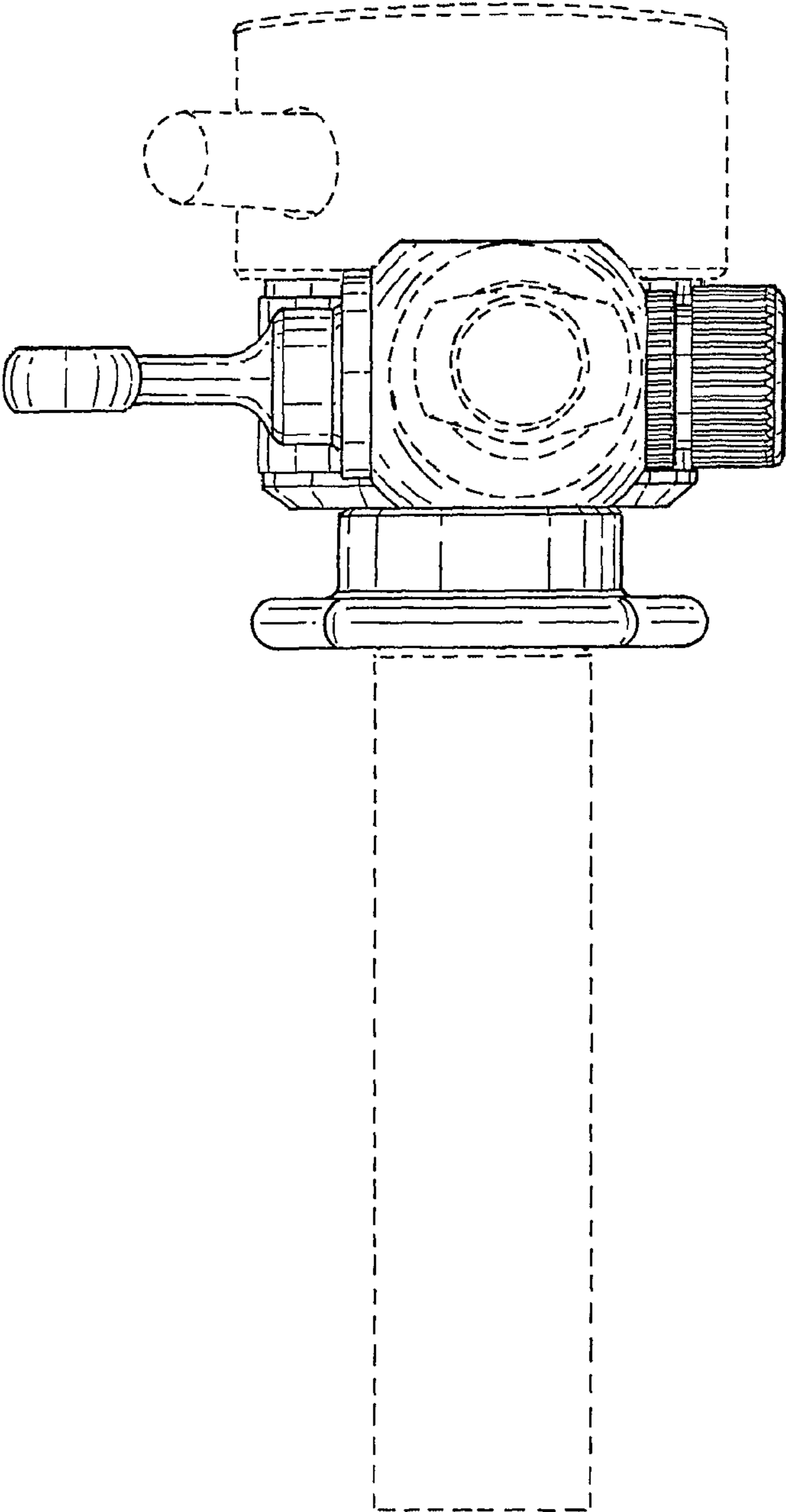


FIG. 2

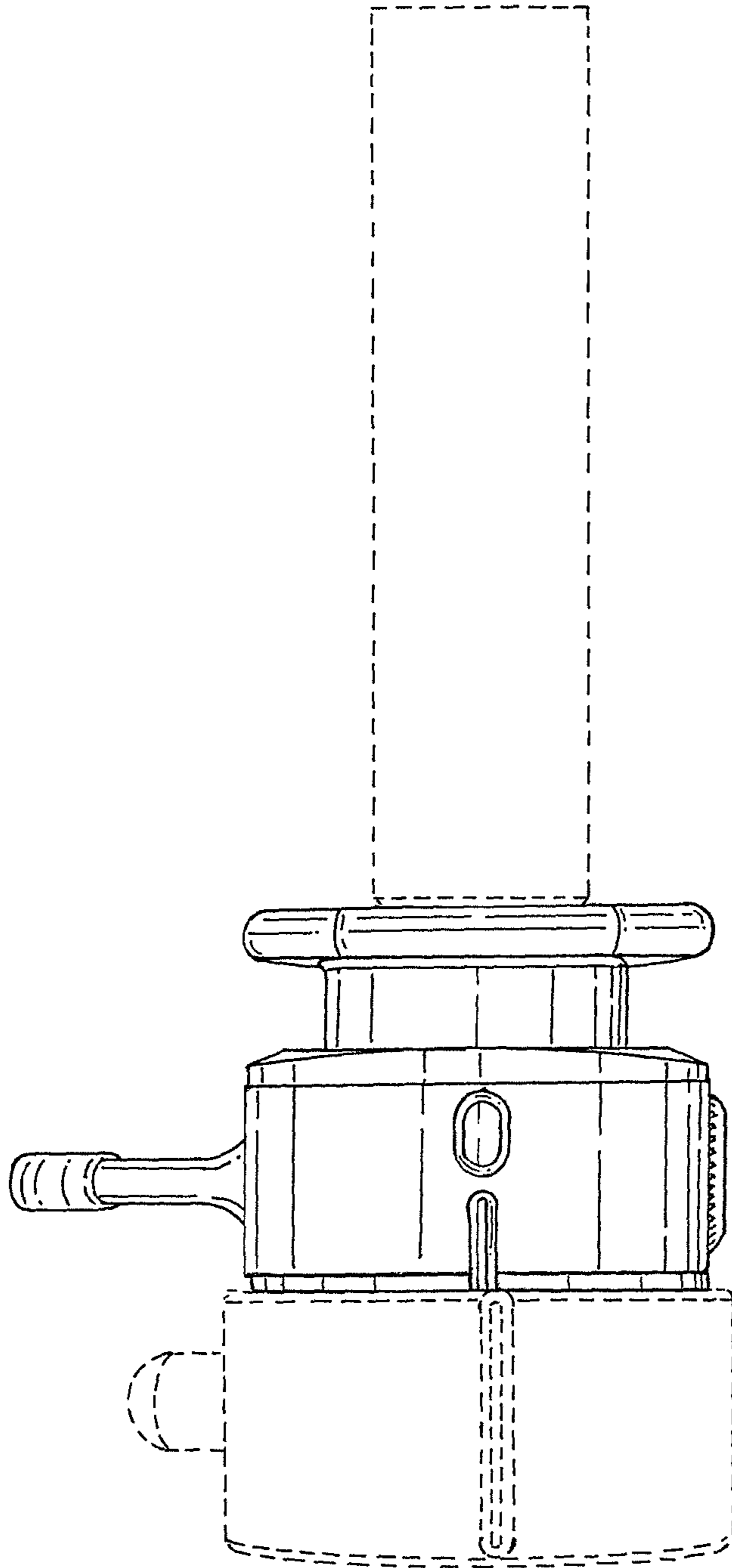


FIG. 3

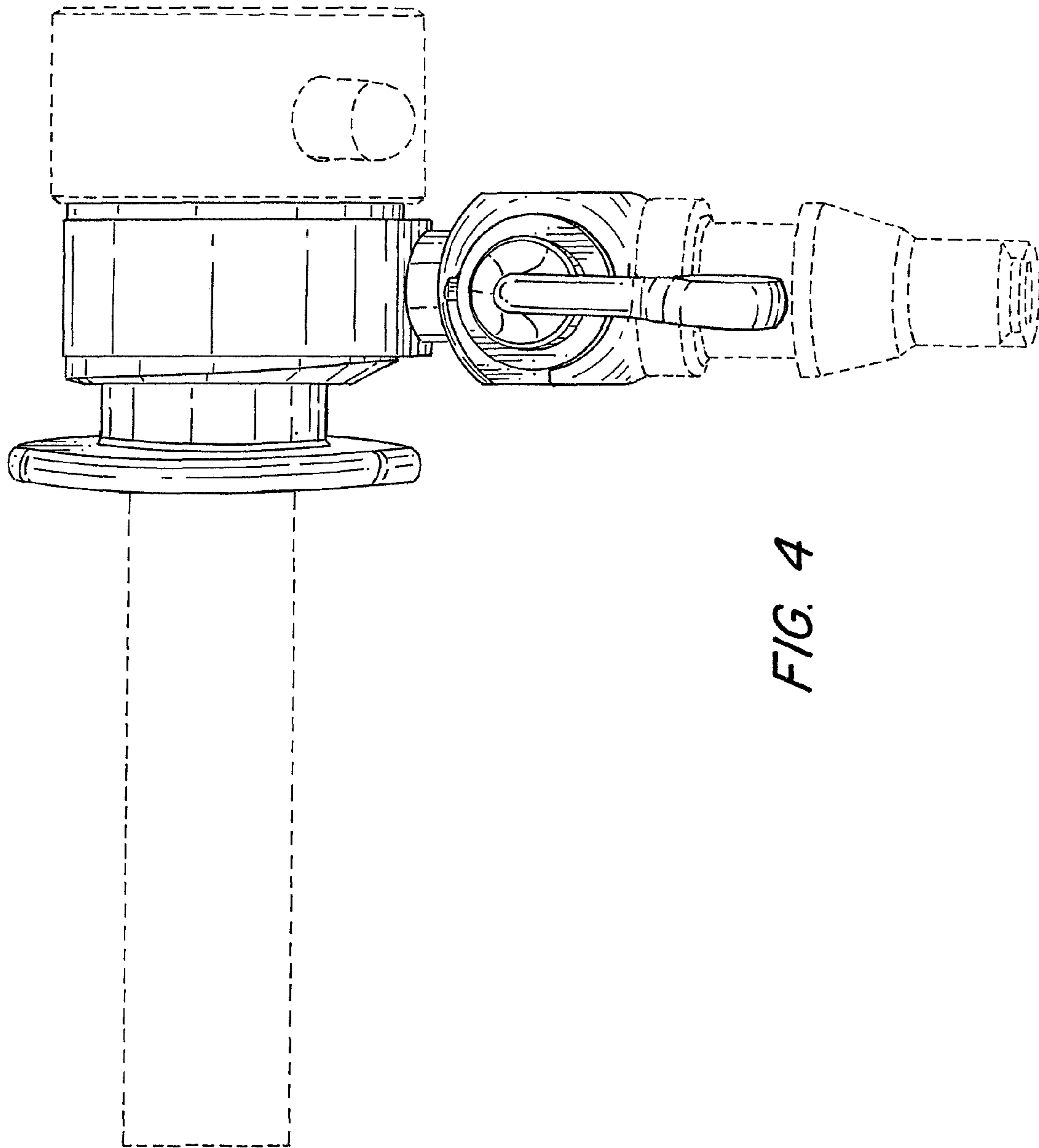


FIG. 4

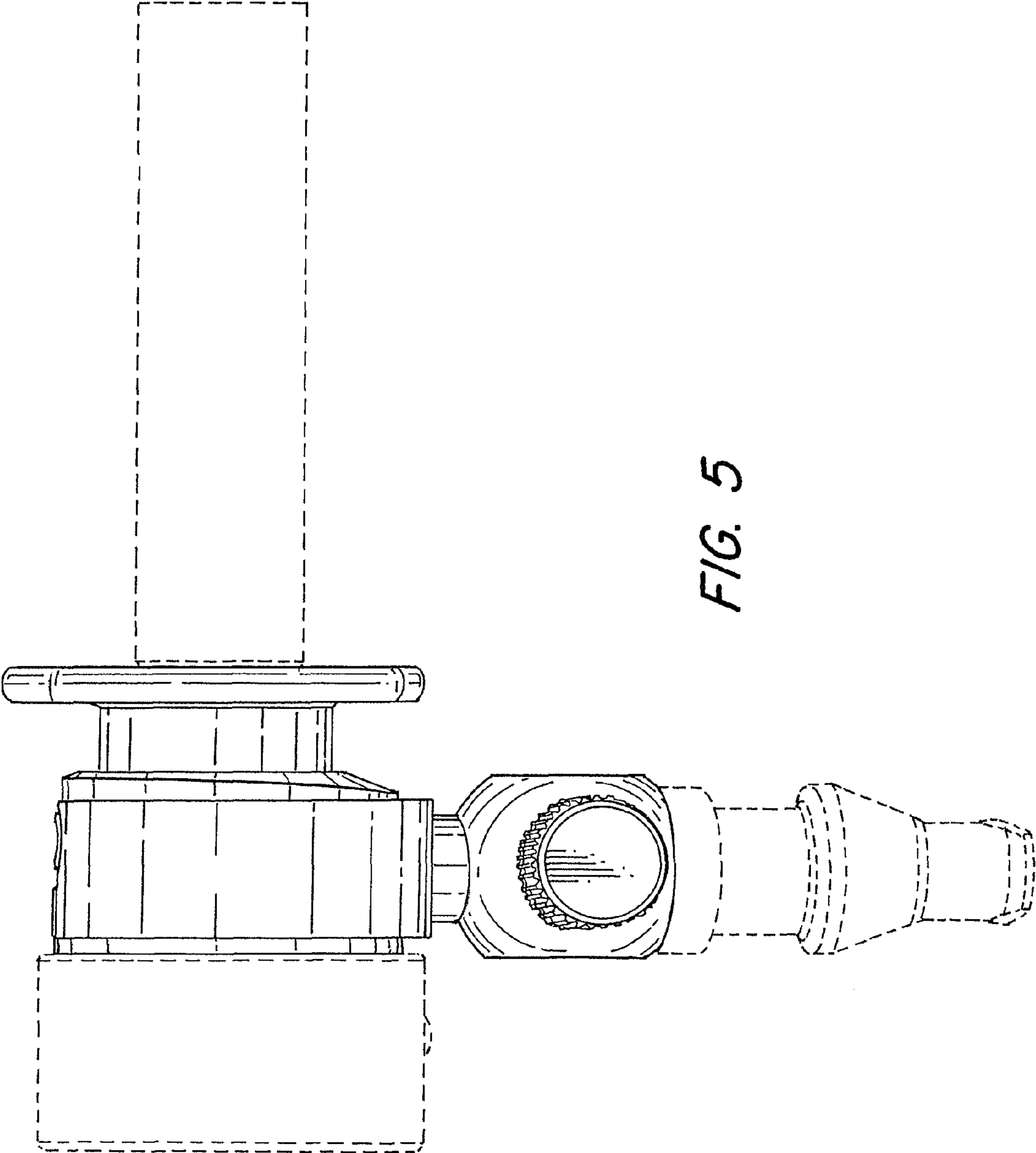


FIG. 5



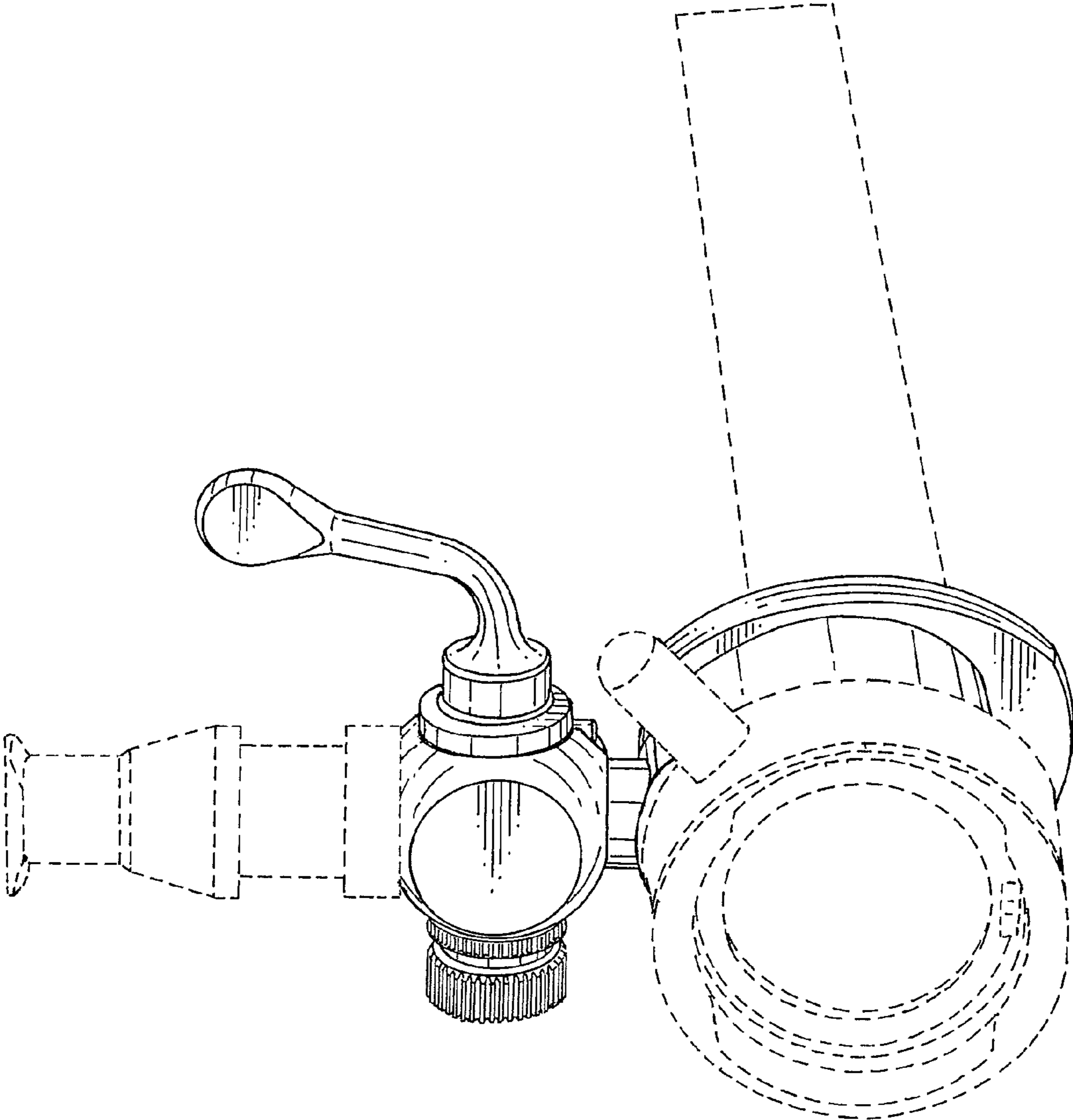


FIG. 6

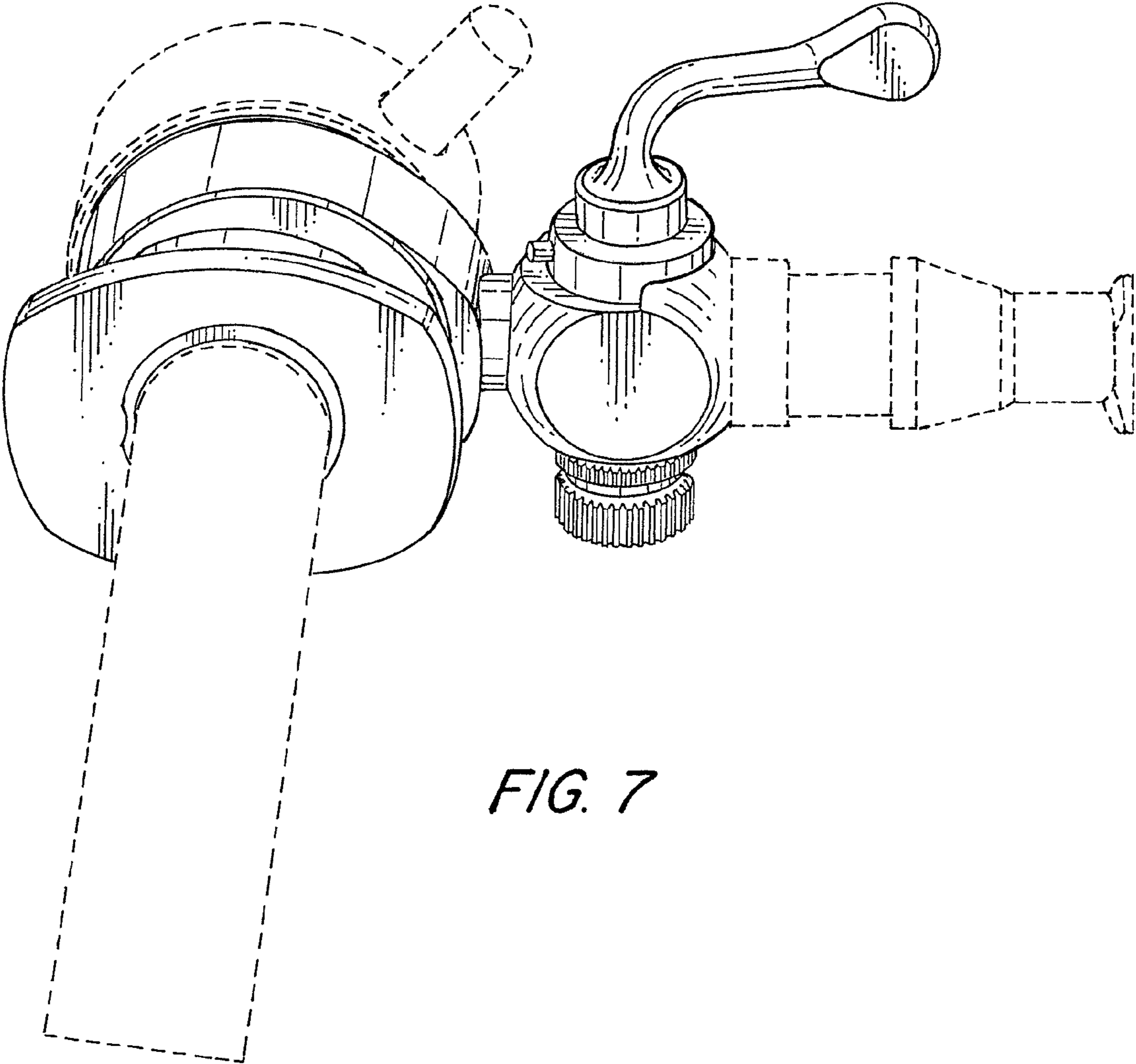


FIG. 7